



US00D513117S

(12) **United States Design Patent**
Raede

(10) **Patent No.:** **US D513,117 S**

(45) **Date of Patent:** **** Dec. 27, 2005**

(54) **PLANT UMBRELLA**

(76) **Inventor:** **Jeanne E. Raede**, 1826 Fordham Ave.,
Thousand Oaks, CA (US) 91360

(**) **Term:** **14 Years**

(21) **Appl. No.:** **29/153,416**

(22) **Filed:** **Jan. 9, 2002**

(51) **LOC (6) Cl.** **03-03**

(52) **U.S. Cl.** **D3/5**

(58) **Field of Search** D3/5-6, 10-14,
D3/16-17; 135/98, 16, 19.5, 20.1, 22-48,
910, 913; 362/102; 297/184.16; D11/144;
D8/1; 47/26, 28.1, 30

(56) **References Cited**

U.S. PATENT DOCUMENTS

679,181	A	*	7/1901	Morrison	135/20.1
1,180,145	A	*	4/1916	Hart	135/26
D101,773	S	*	11/1936	Hanna	D3/6
D151,655	S	*	11/1948	Preaus	D3/5
D383,900	S	*	9/1997	Bart	D3/6

D439,400 S * 3/2001 Gobel D3/5
6,330,887 B1 * 12/2001 Chen 135/16

* cited by examiner

Primary Examiner—Louis S. Zarfes

Assistant Examiner—Robert A. Delehanty

(74) *Attorney, Agent, or Firm*—Richard D. Slehofer

(57) **CLAIM**

The ornamental design for a plant umbrella, as shown and described.

DESCRIPTION

FIG. 1 is a front elevational view of my plant umbrella showing my new design.

FIG. 2 is a left side elevational view thereof;

FIG. 3 is a right side elevational view thereof;

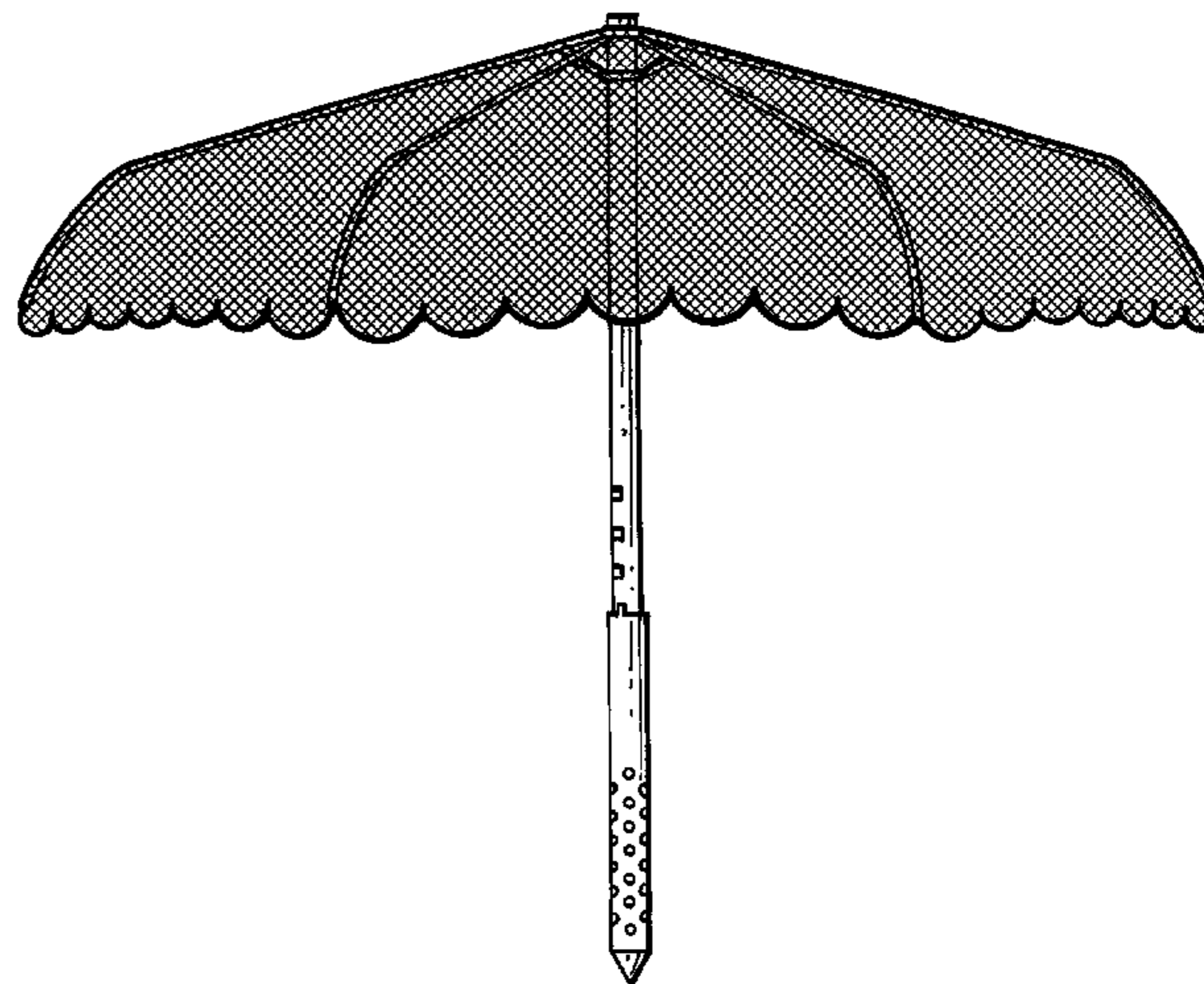
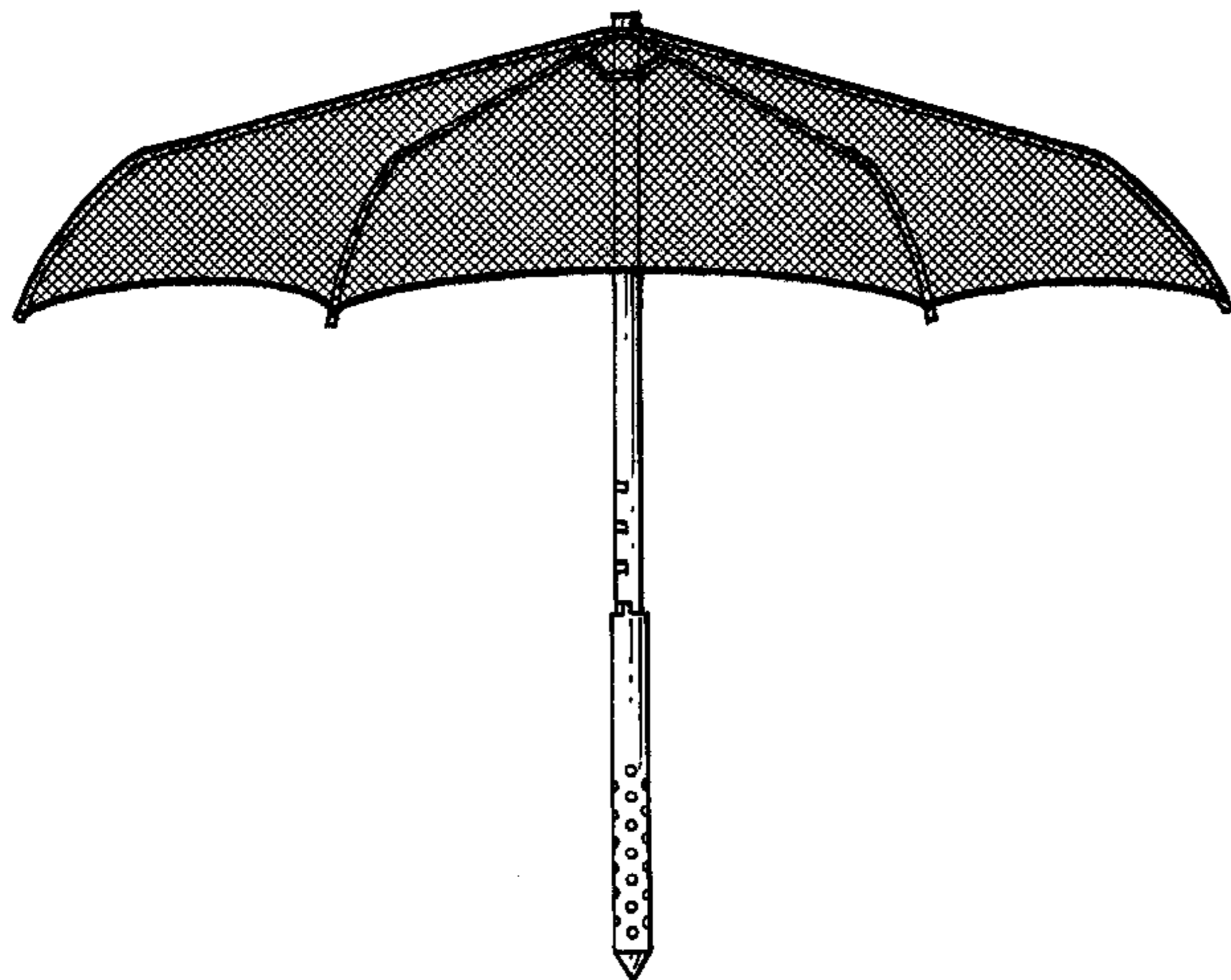
FIG. 4 is a rear elevational view thereof;

FIG. 5 is a top plan view thereof;

FIG. 6 is a bottom plan view thereof; and,

FIG. 7 is an alternate frontal elevational view similar to FIG. 1.

1 Claim, 4 Drawing Sheets



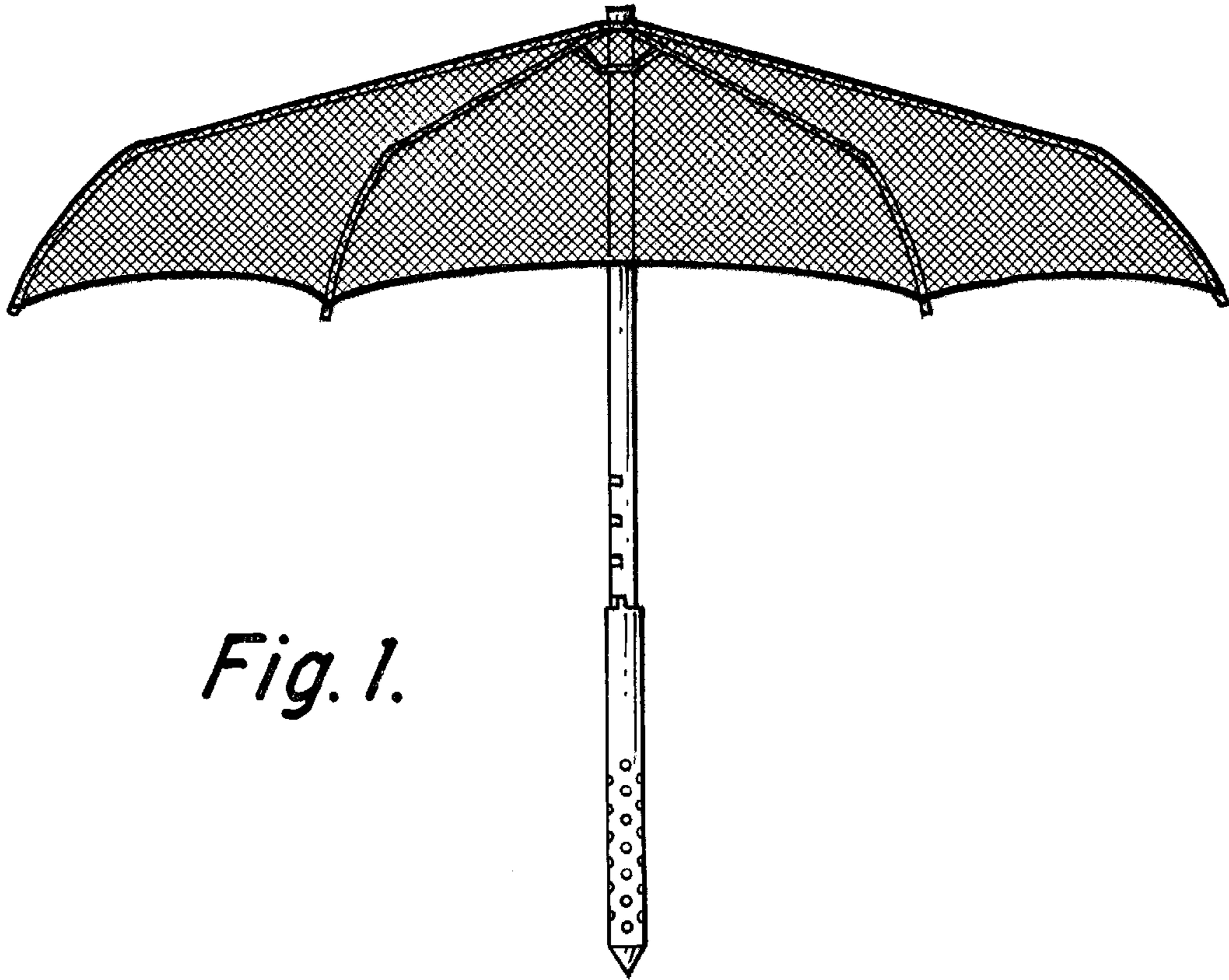


Fig. 1.

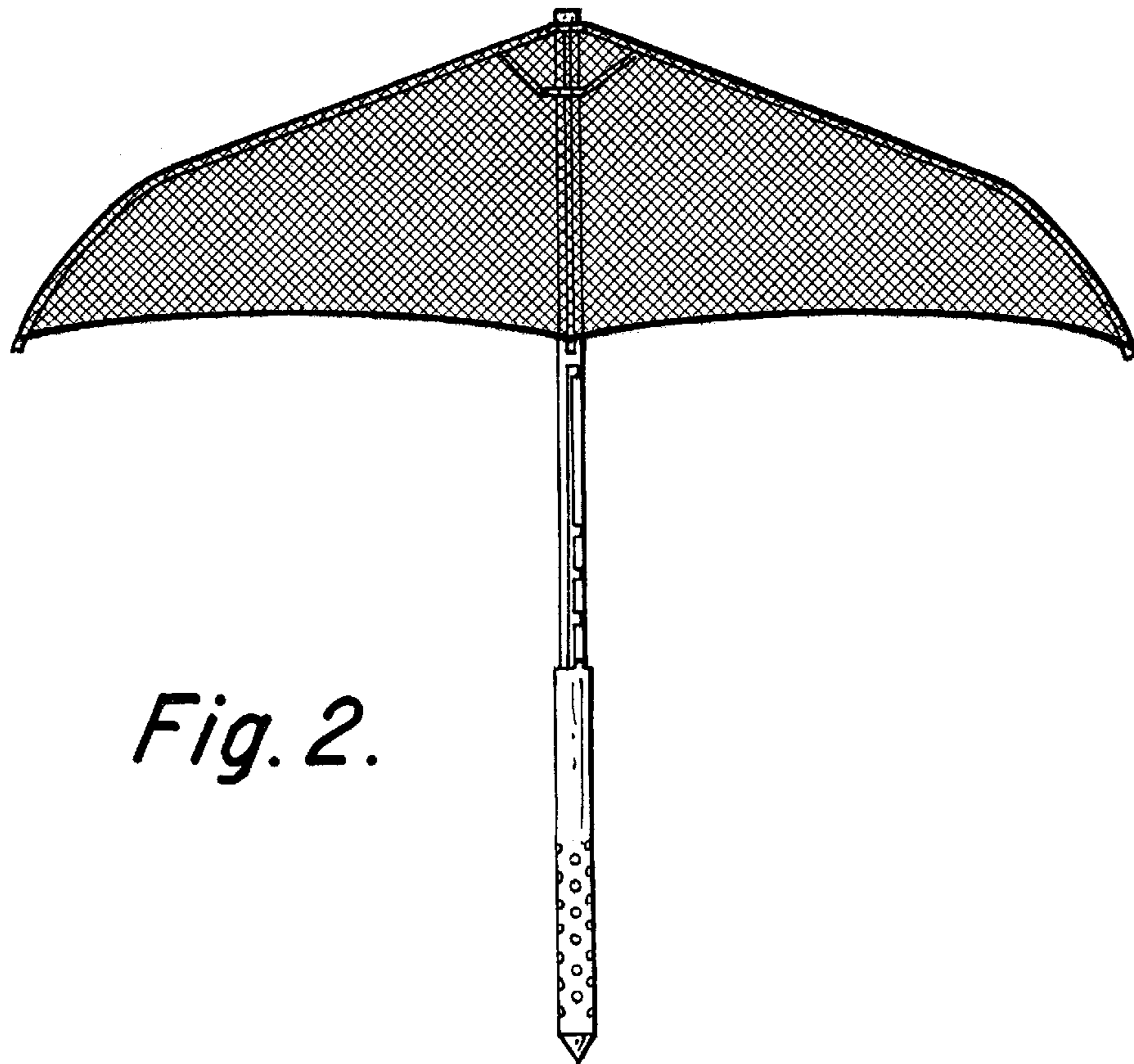


Fig. 2.

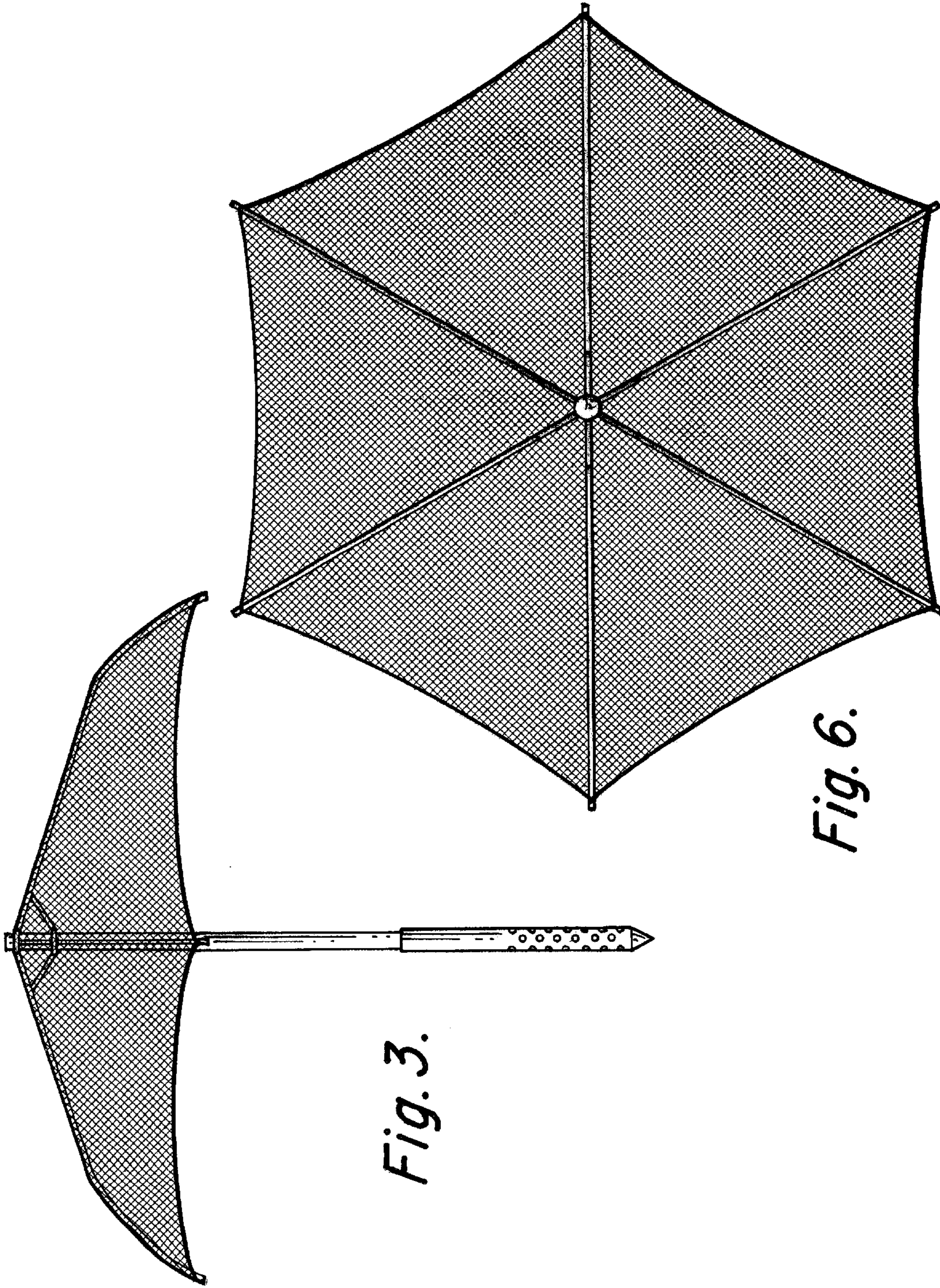


Fig. 3.

Fig. 6.

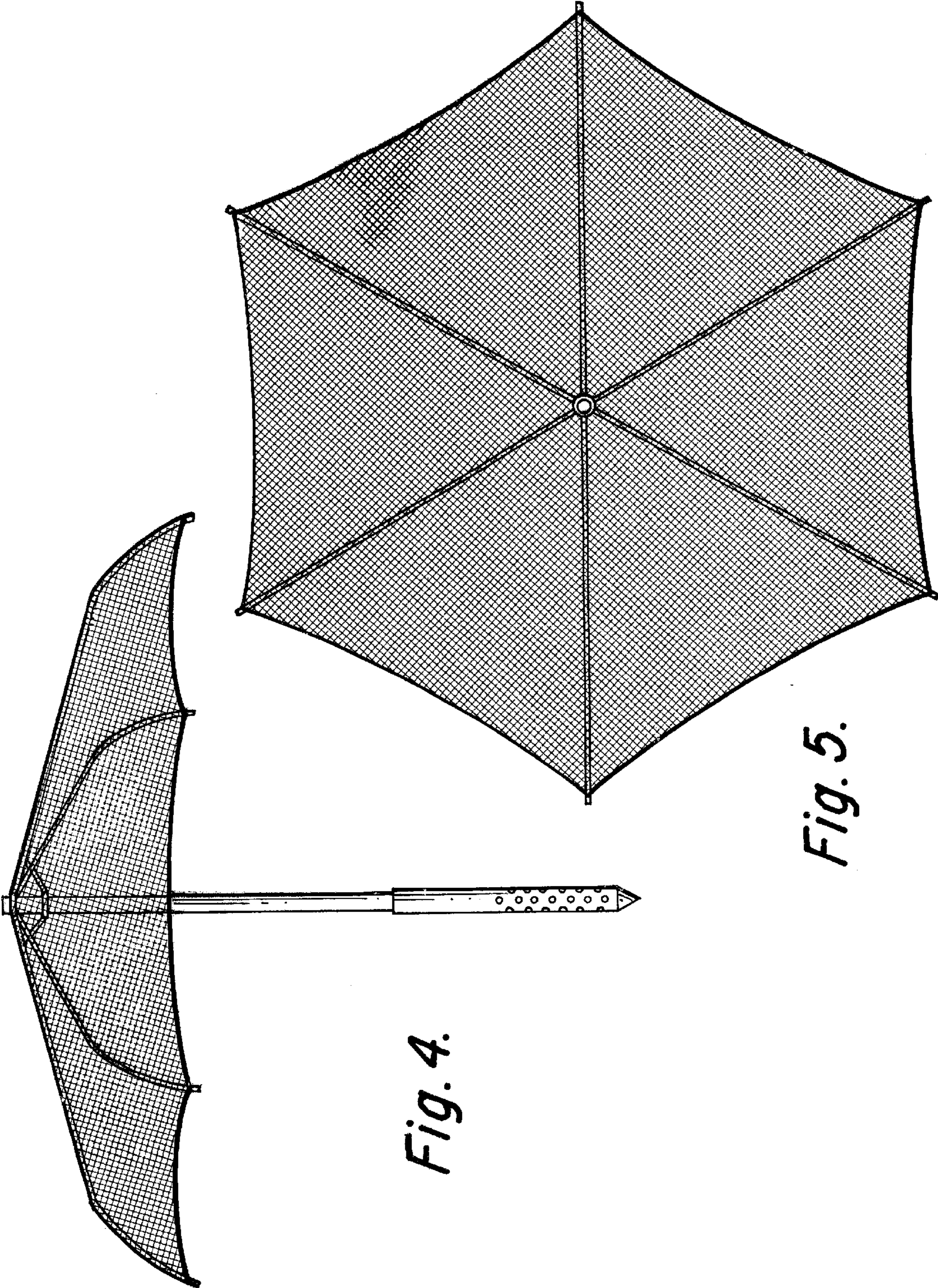


Fig. 4.

Fig. 5.

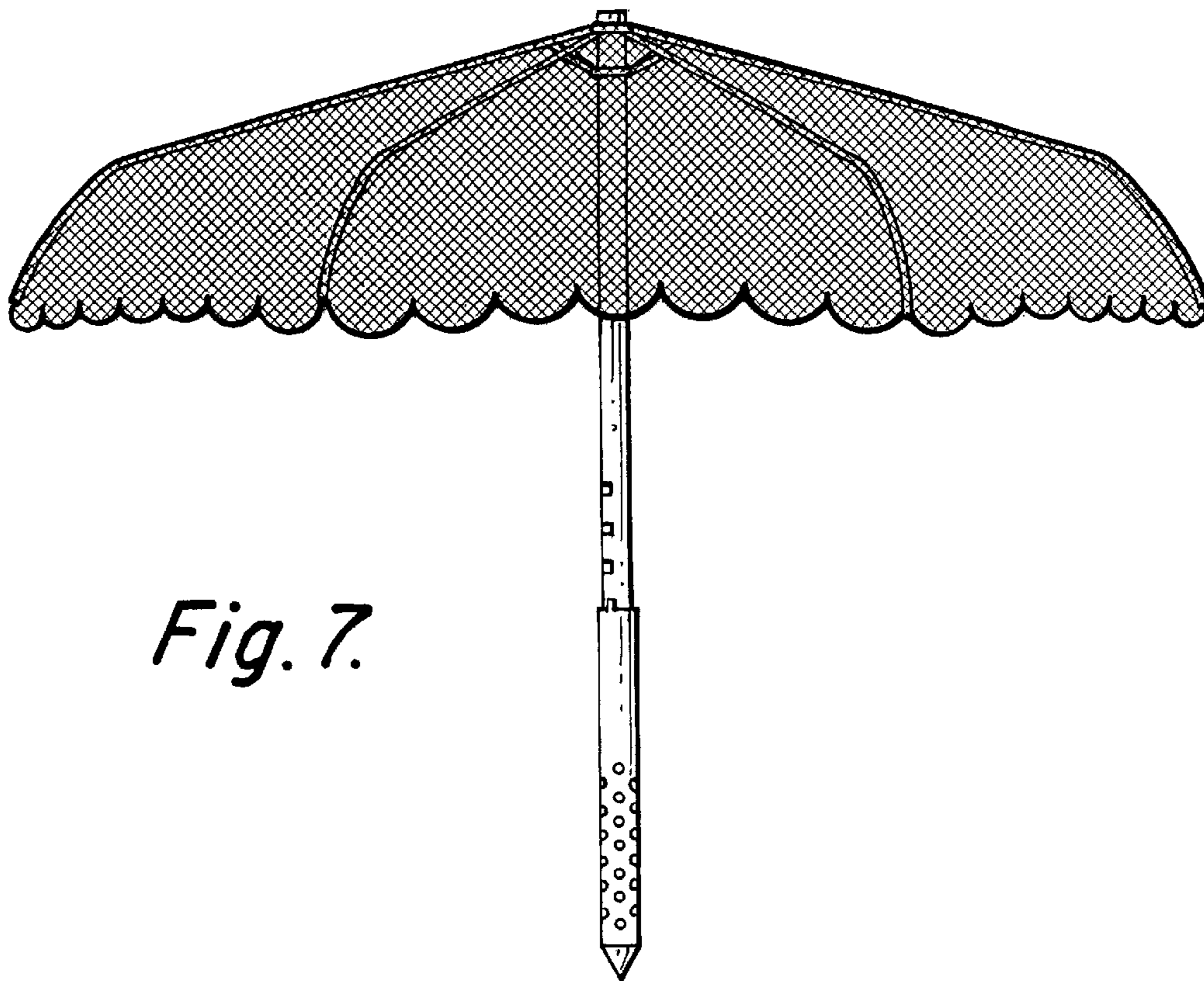


Fig. 7.