

US00D513106S

(12) **United States Design Patent**  
**Haro**

(10) **Patent No.:** **US D513,106 S**

(45) **Date of Patent:** **\*\* Dec. 27, 2005**

(54) **WAND-SHAPED FOOD PRODUCT**

(75) **Inventor:** **Guillermo Haro, Skokie, IL (US)**

(73) **Assignee:** **Kraft Foods Holdings, Inc., Northfield, IL (US)**

(\*\*) **Term:** **14 Years**

(21) **Appl. No.:** **29/220,187**

(22) **Filed:** **Dec. 28, 2004**

**Related U.S. Application Data**

(62) Division of application No. 29/207,530, filed on Jun. 15, 2004, which is a division of application No. 29/189,067, filed on Aug. 28, 2003, now Pat. No. Des. 495,462.

(51) **LOC (6) Cl.** ..... **01-01**

(52) **U.S. Cl.** ..... **D1/106; D1/126**

(58) **Field of Search** ..... **D1/106, 126-127; 426/104, 516; D21/386, 402; D11/70**

(56) **References Cited**

**U.S. PATENT DOCUMENTS**

D317,183 S \* 5/1991 Neuroth et al. .... D21/402

D394,535 S \* 5/1998 Villota et al. .... D1/126

\* cited by examiner

*Primary Examiner*—Pamela Burgess

(74) *Attorney, Agent, or Firm*—Fitch, Even, Tabin & Flannery

(57) **CLAIM**

The ornamental design for a wand-shaped food product, as shown and described.

**DESCRIPTION**

FIG. 1 is a perspective view showing an embodiment of my new design, comprising a wand-shaped food product;

FIG. 2 is a front elevation view of the wand-shaped food product of FIG. 1, the back elevation view being the mirror image thereof;

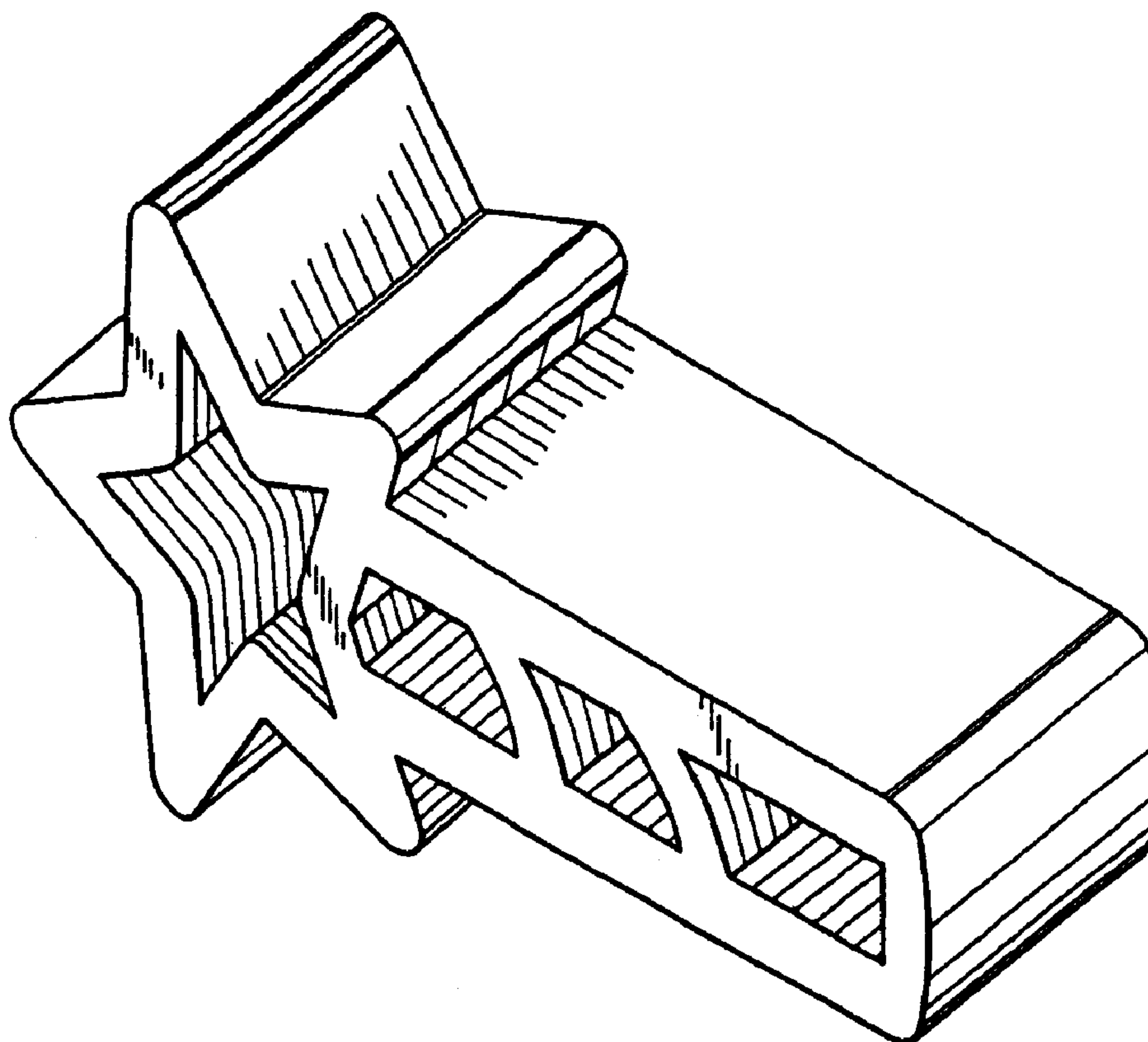
FIG. 3 is a left side elevation view of the wand-shaped food product of FIG. 1;

FIG. 4 is a right side elevation view of the wand-shaped food product of FIG. 1;

FIG. 5 is a bottom plan view of the wand-shaped food product of FIG. 1; and,

FIG. 6 is a top plan view of the wand-shaped food product of FIG. 1.

**1 Claim, 1 Drawing Sheet**



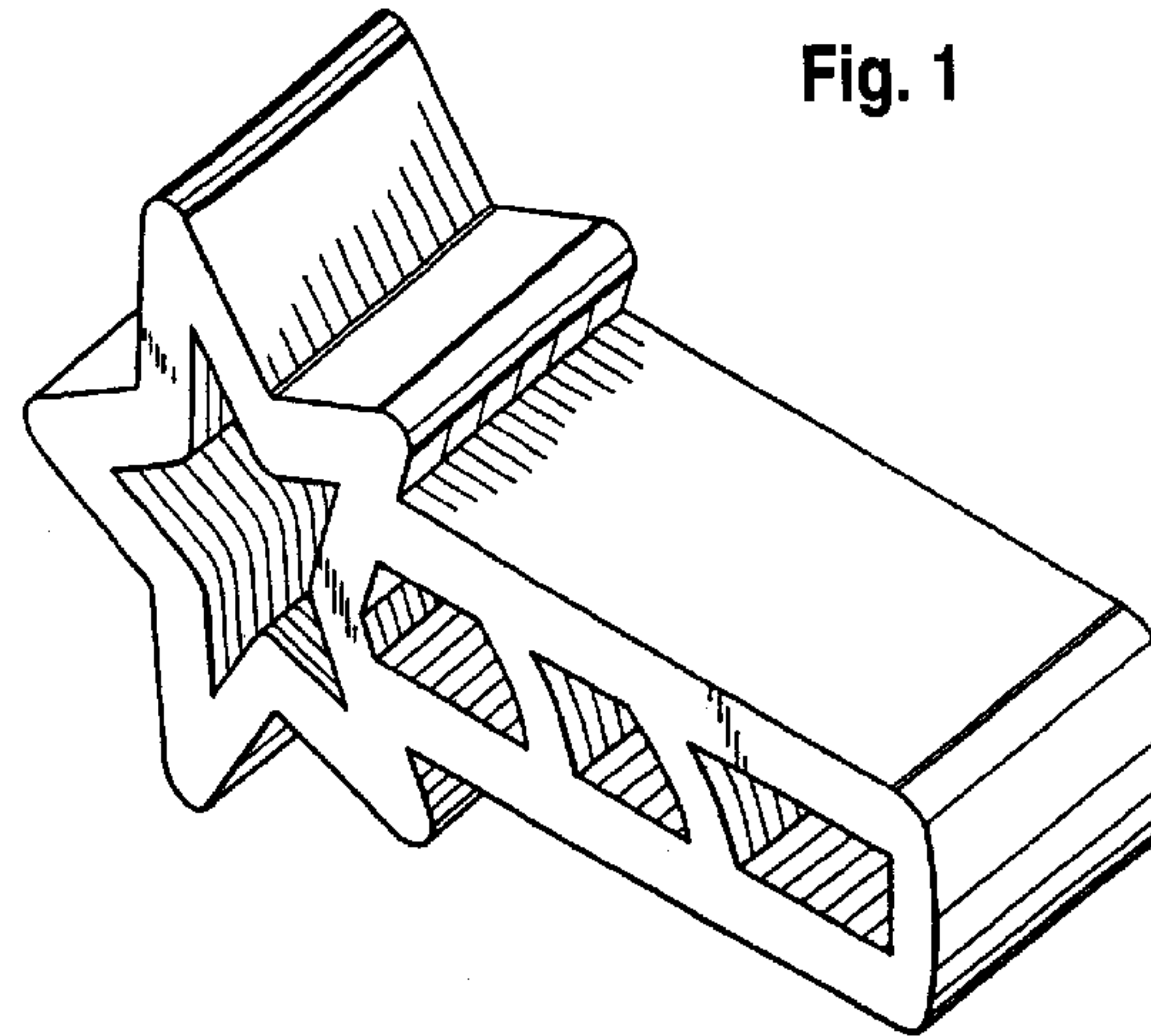


Fig. 1

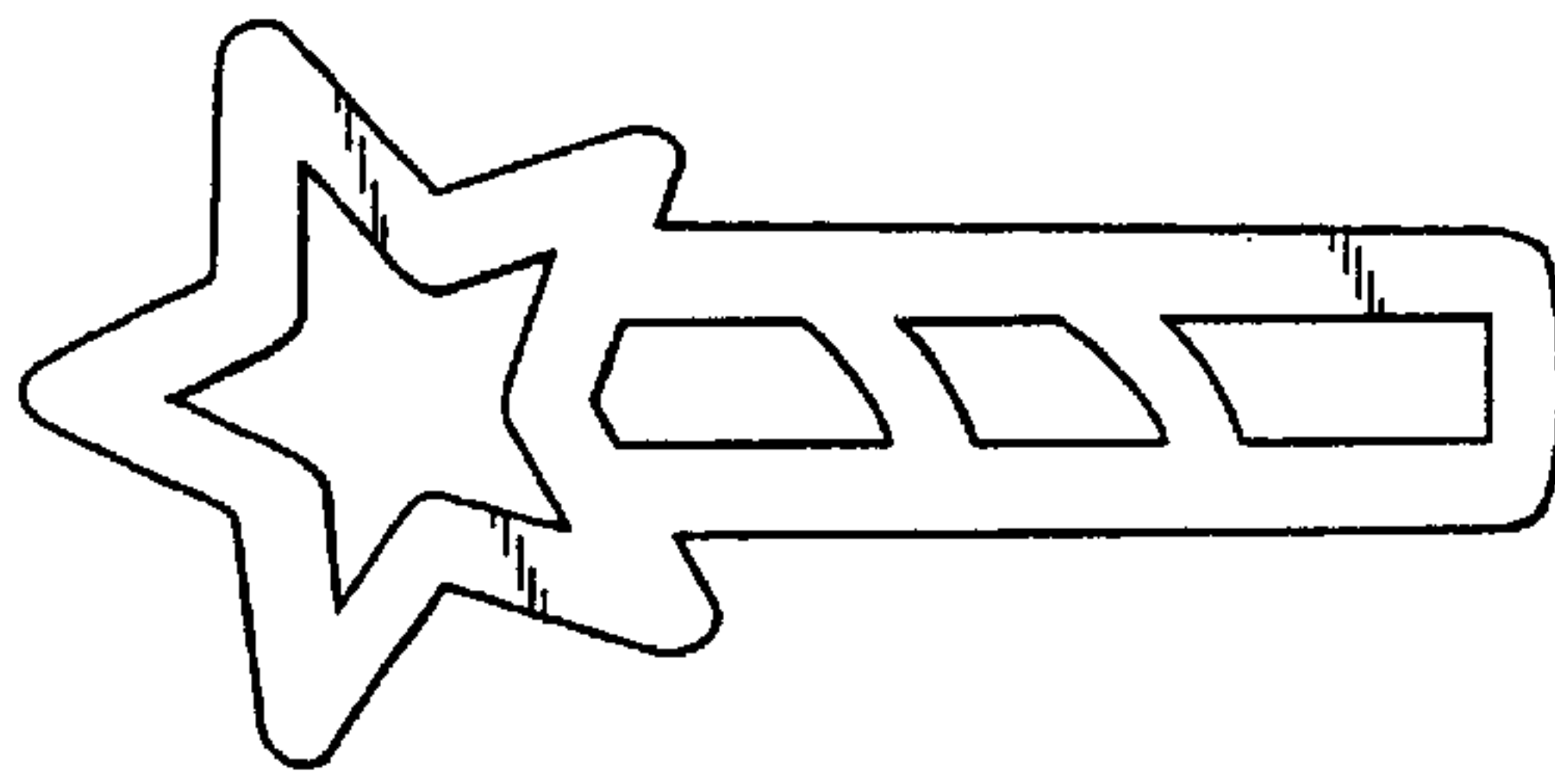


Fig. 2

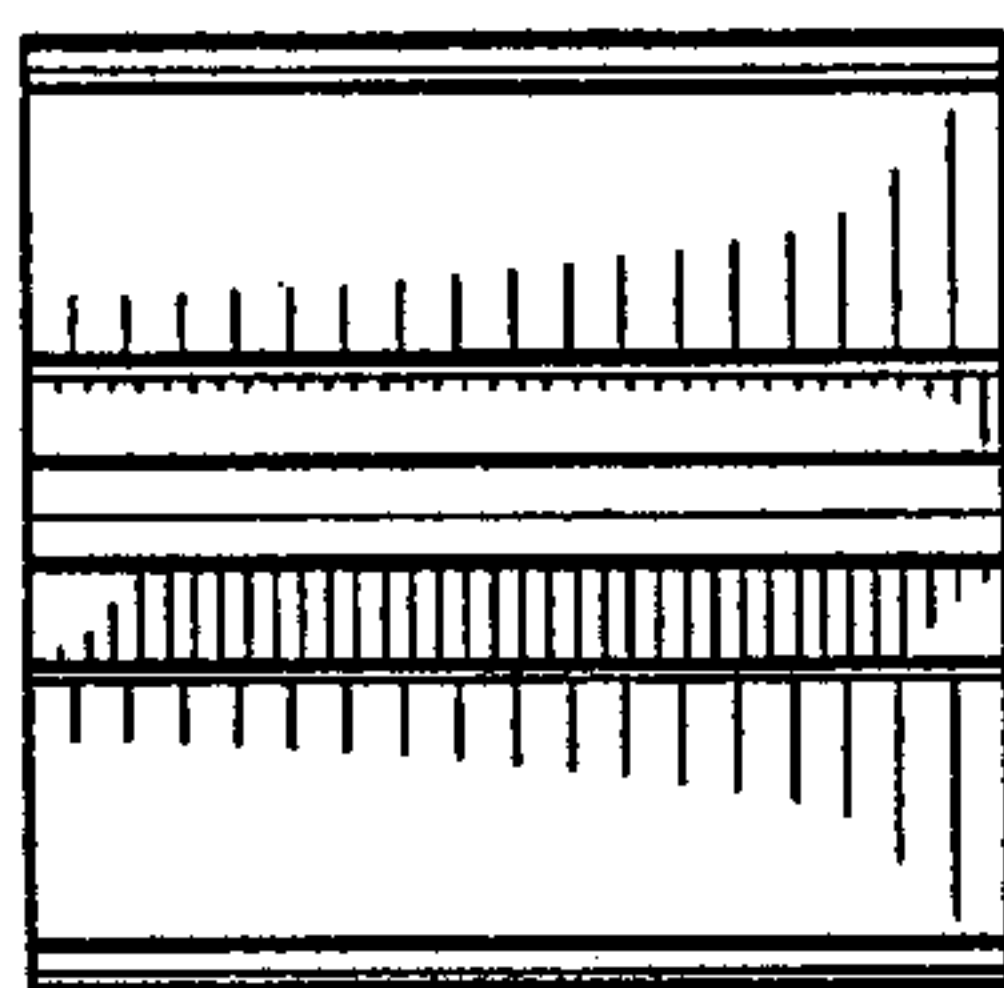


Fig. 3

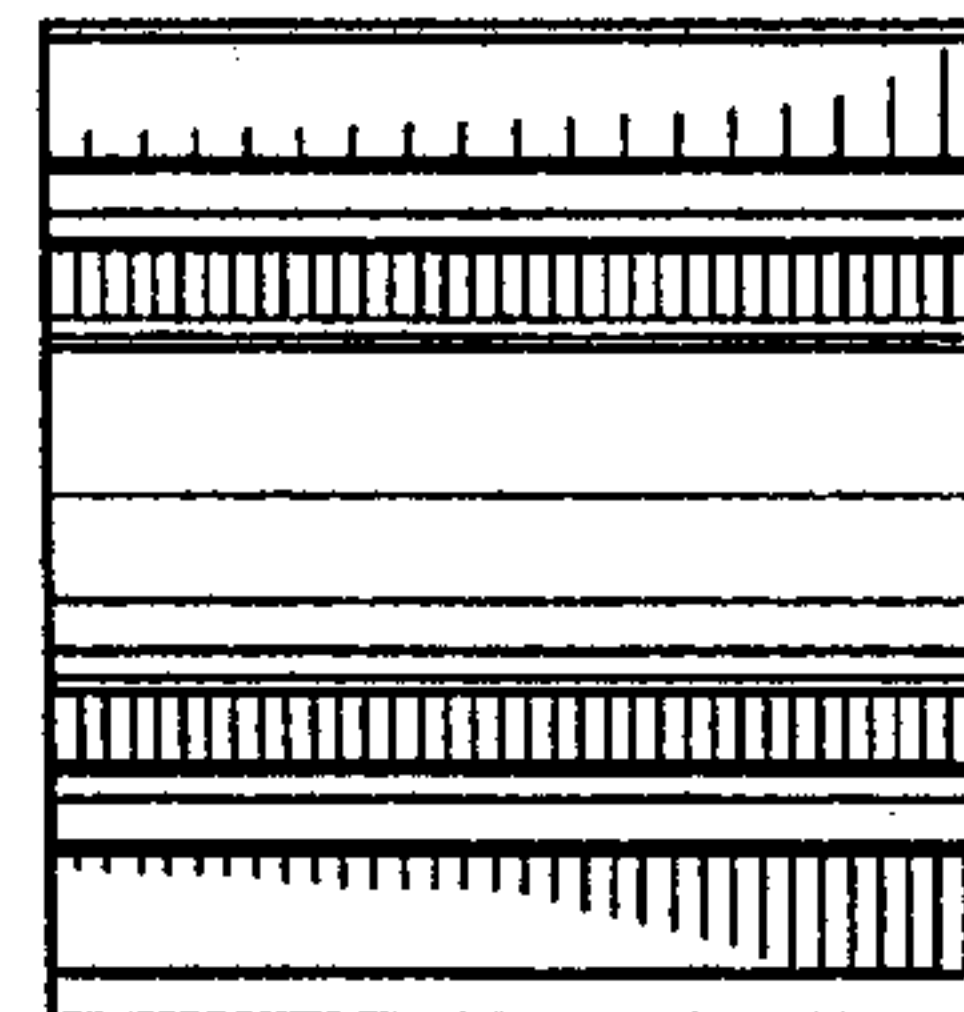


Fig. 4

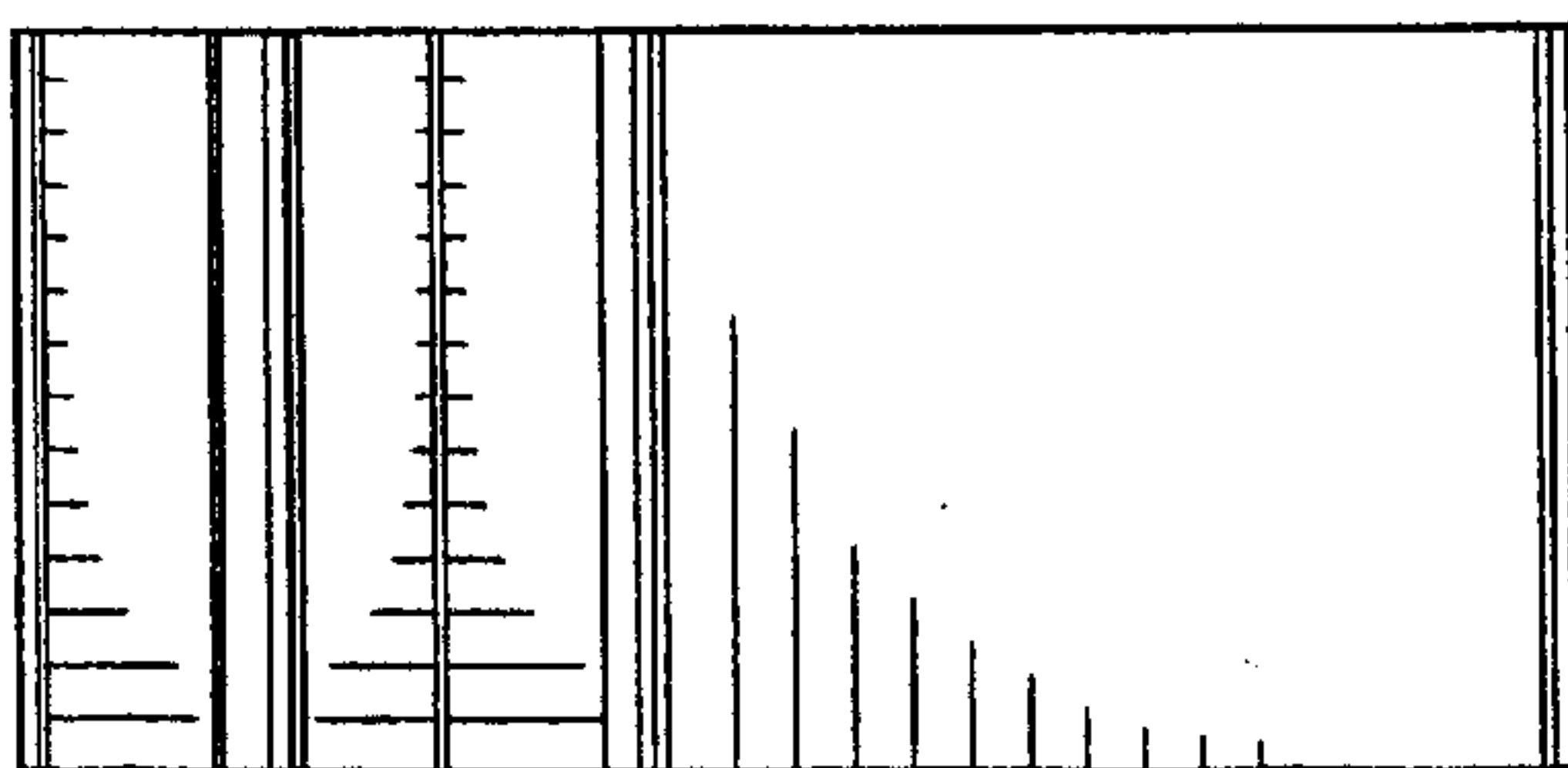


Fig. 5

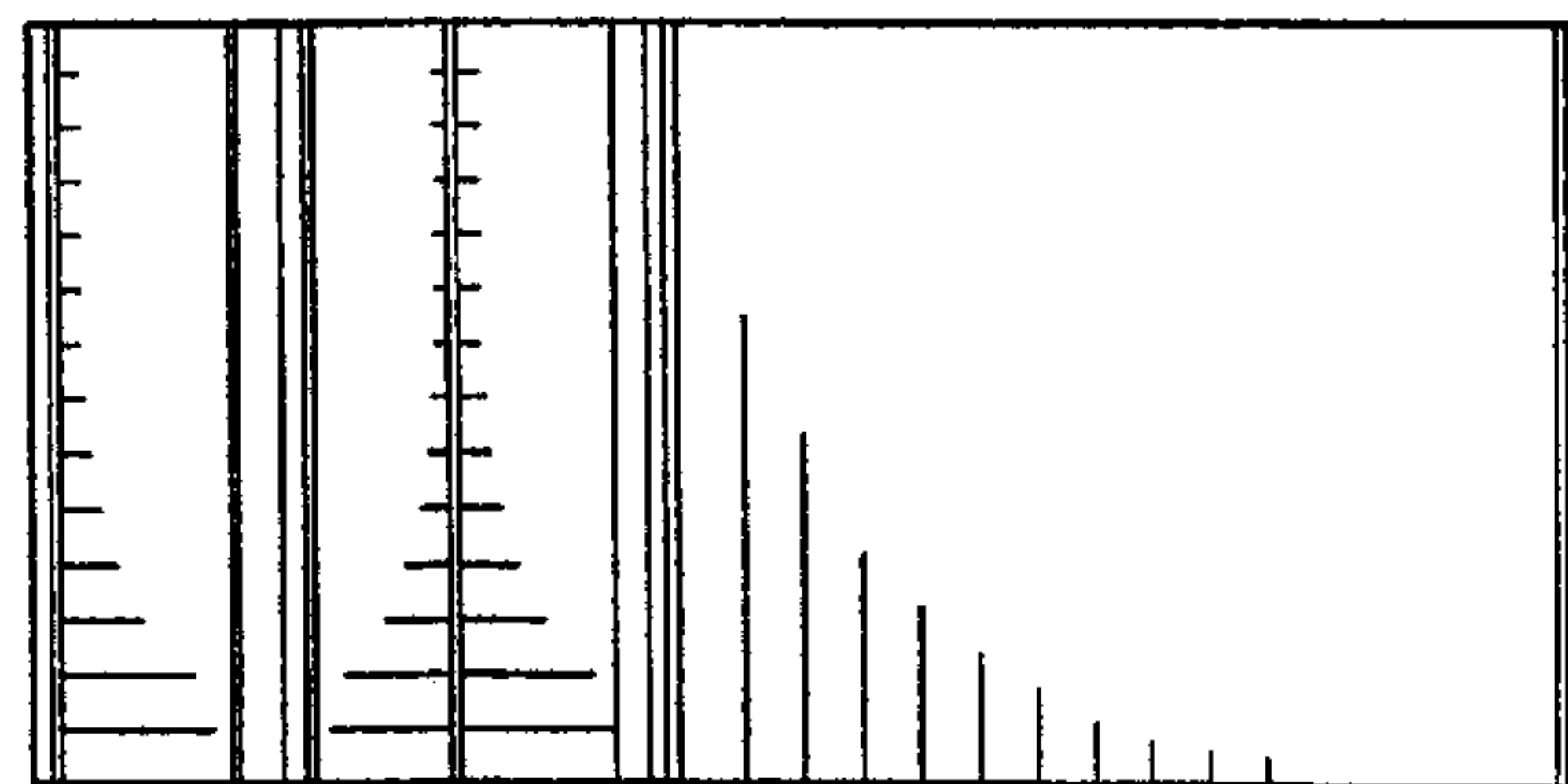


Fig. 6