

US00D513102S

(12) **United States Design Patent** (10) **Patent No.:** **US D513,102 S**
Davis-Wilson et al. (45) **Date of Patent:** **** Dec. 20, 2005**

(54) **PORTION OF A MOP HEAD**

6,543,082 B2 * 4/2003 Dingert et al. 15/147.1

(75) Inventors: **Jennifer Ellen Davis-Wilson**, Redwood City, CA (US); **Jerome Joo Ge Goh**, San Francisco, CA (US); **Leo Kopelow**, San Francisco, CA (US); **Christine Marie Kurjan**, Mountain View, CA (US); **Adrian Benton James**, Palo Alto, CA (US); **John Philip Stoddard**, Ben Lomond, CA (US); **Bryan Thomas White**, Fremont, CA (US); **Jan Hendrik Maria Verbiest**, Caracas (VE)

* cited by examiner

Primary Examiner—Alan P. Douglas
Assistant Examiner—Lavone D. Tabor
(74) *Attorney, Agent, or Firm*—Thibault Fayette; Kim William Zerby; Steven W. Miller

(73) Assignee: **The Procter & Gamble Company**, Cincinnati, OH (US)

(**) Term: **14 Years**

(21) Appl. No.: **29/189,369**

(22) Filed: **Sep. 3, 2003**

(51) **LOC (6) Cl.** **04-01**

(52) **U.S. Cl.** **D32/50; D32/52**

(58) **Field of Search** D32/40, 45, 50, D32/51; 15/147.1, 147.2, 209.1, 210.1, 228, 231–232, 229.6, 229.7, 229.8, 229.11, 229.13, 235.4, 235.7

(56) **References Cited**

U.S. PATENT DOCUMENTS

- 804,794 A * 11/1905 Coan 15/231
- 1,118,546 A * 11/1914 Goodwin 15/231
- 1,267,508 A * 5/1918 Brown 15/229.5
- 6,425,705 B1 * 7/2002 Ingram

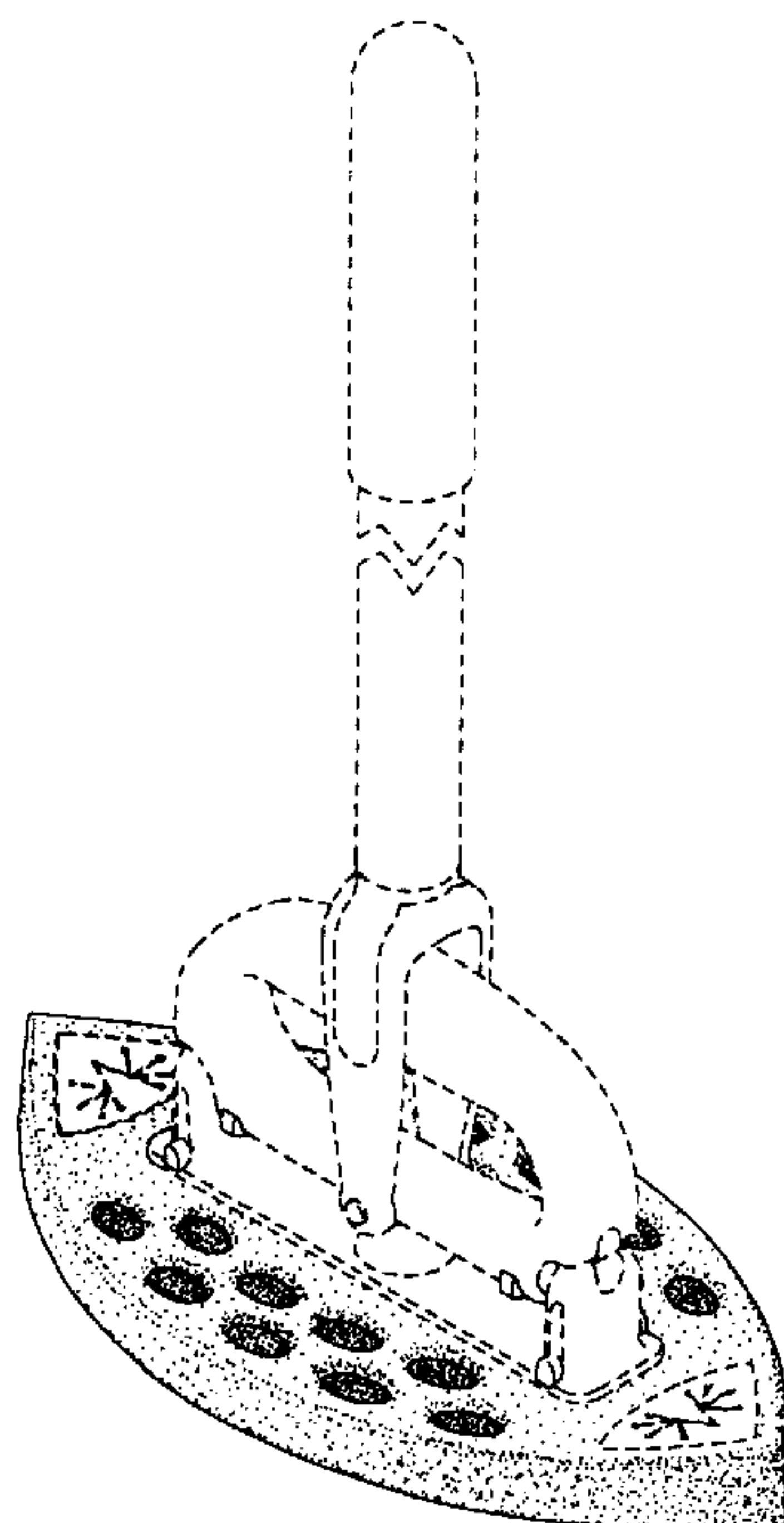
(57) **CLAIM**

The ornamental design for a portion of a mop head, as shown and described.

DESCRIPTION

FIG. 1 is a perspective view of the portion of a mop head, embodying the new design;
FIG. 2 is a top view thereof;
FIG. 3 is the bottom view thereof;
FIG. 4 is a front view of the mop head of FIG. 1, the opposite back view is a mirror image thereto;
FIG. 5 is a left side view of the mop head of FIG. 1, the opposite right side view is a mirror image thereto;
FIG. 6 is a perspective view of a second embodiment of a portion of a mop head;
FIG. 7 is a top view of FIG. 6;
FIG. 8 is a bottom view of FIG. 6;
FIG. 9 is a front view of the mop head of FIG. 6, the opposite back view is a mirror image thereto; and,
FIG. 10 is a left side view thereof of the mop head of FIG. 6, the opposite right side view is a mirror image thereto.
The broken lines immediately adjacent the shaded areas represent the bounds of the claim and all of the other broken lines are for illustrative purposes only. None of the broken lines form part of the claimed design.

1 Claim, 2 Drawing Sheets



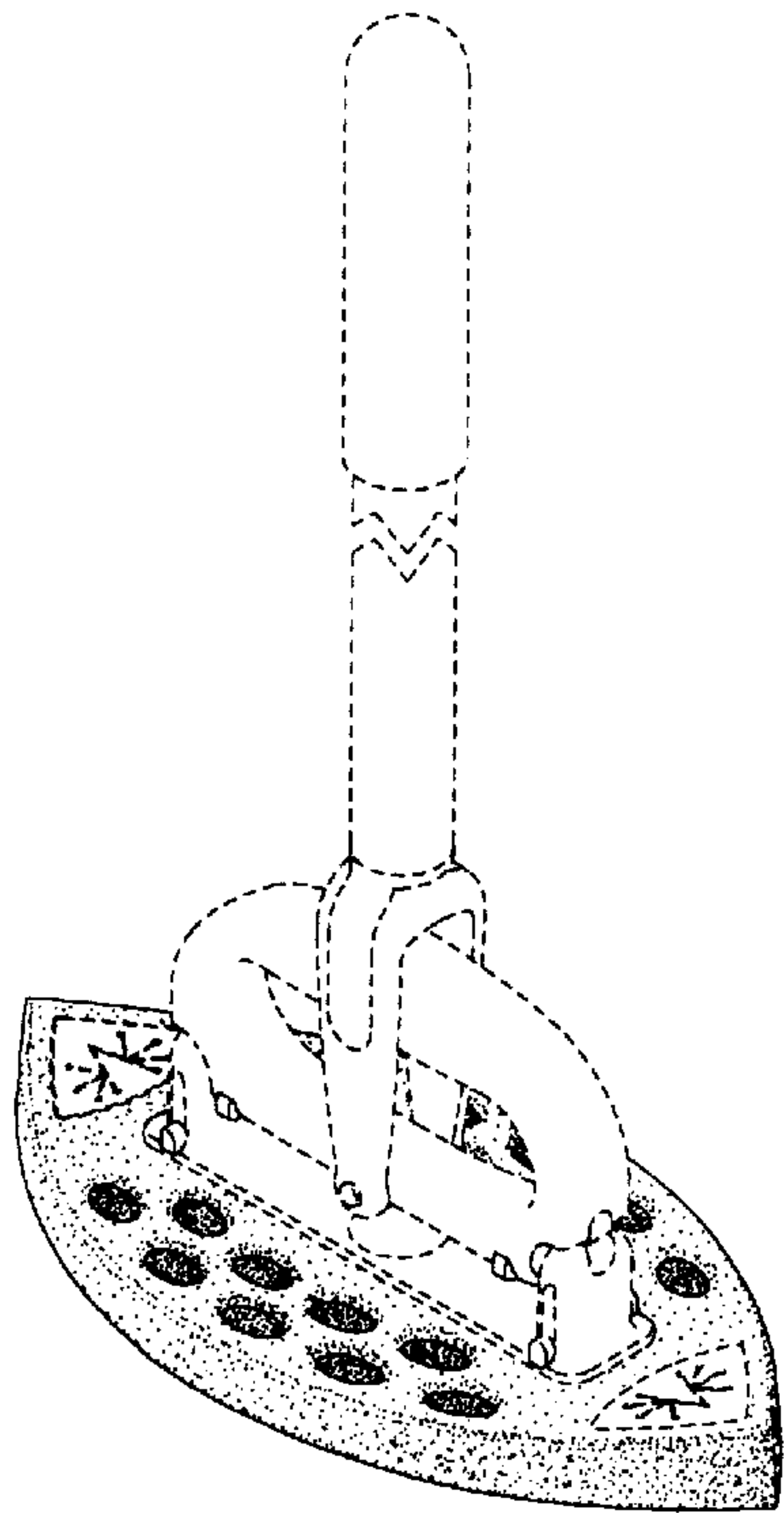


Fig. 1

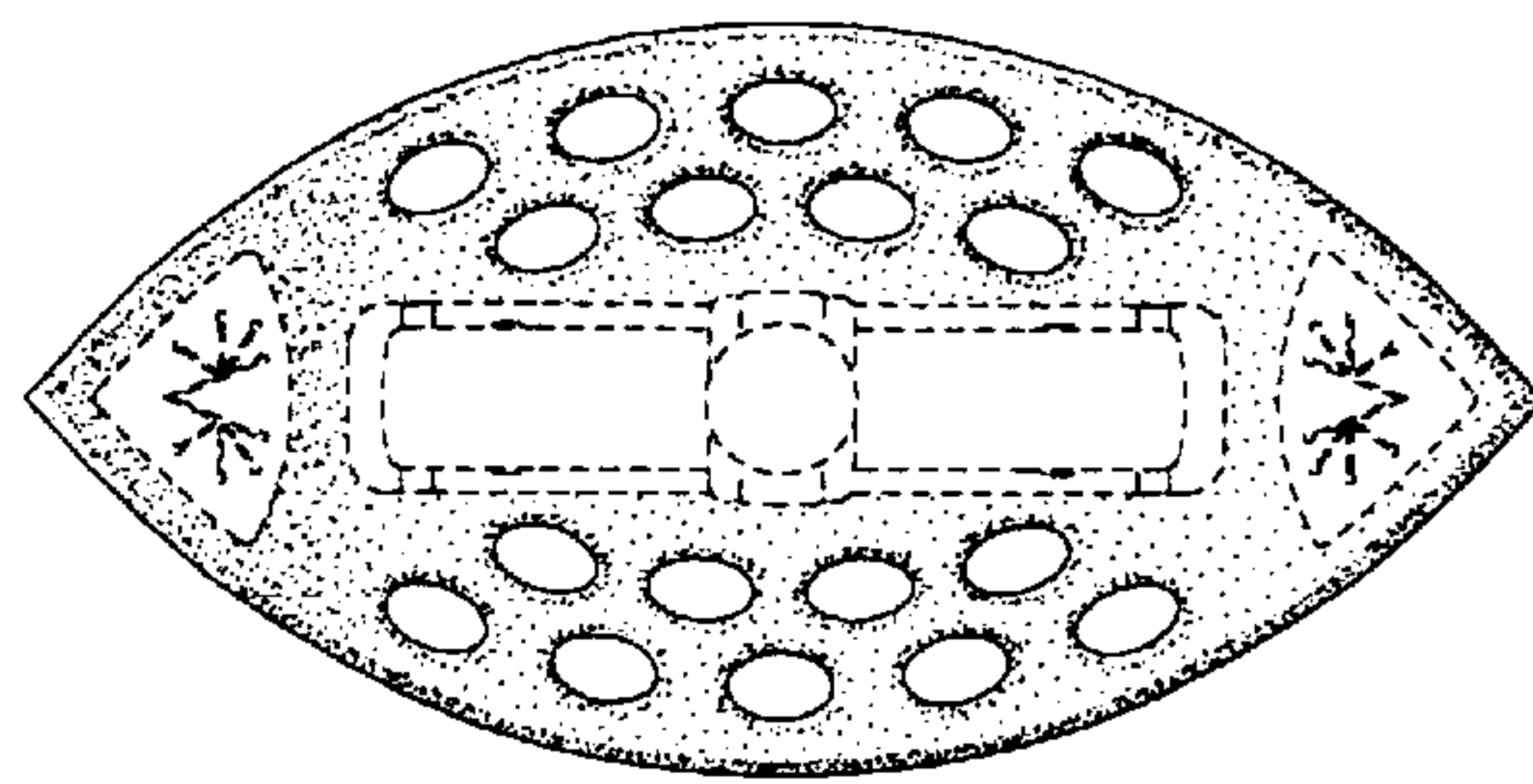


Fig. 2

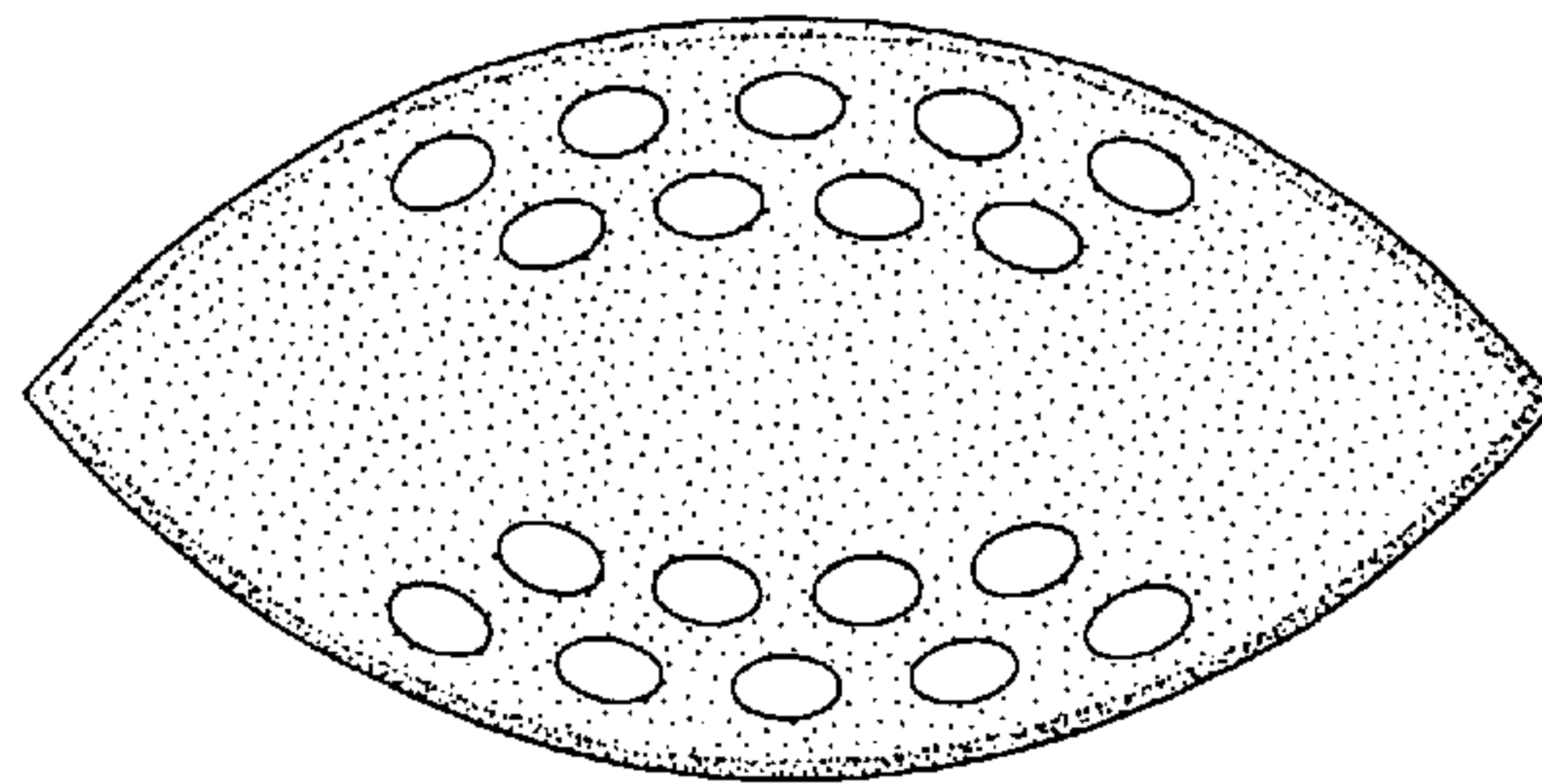


Fig. 3

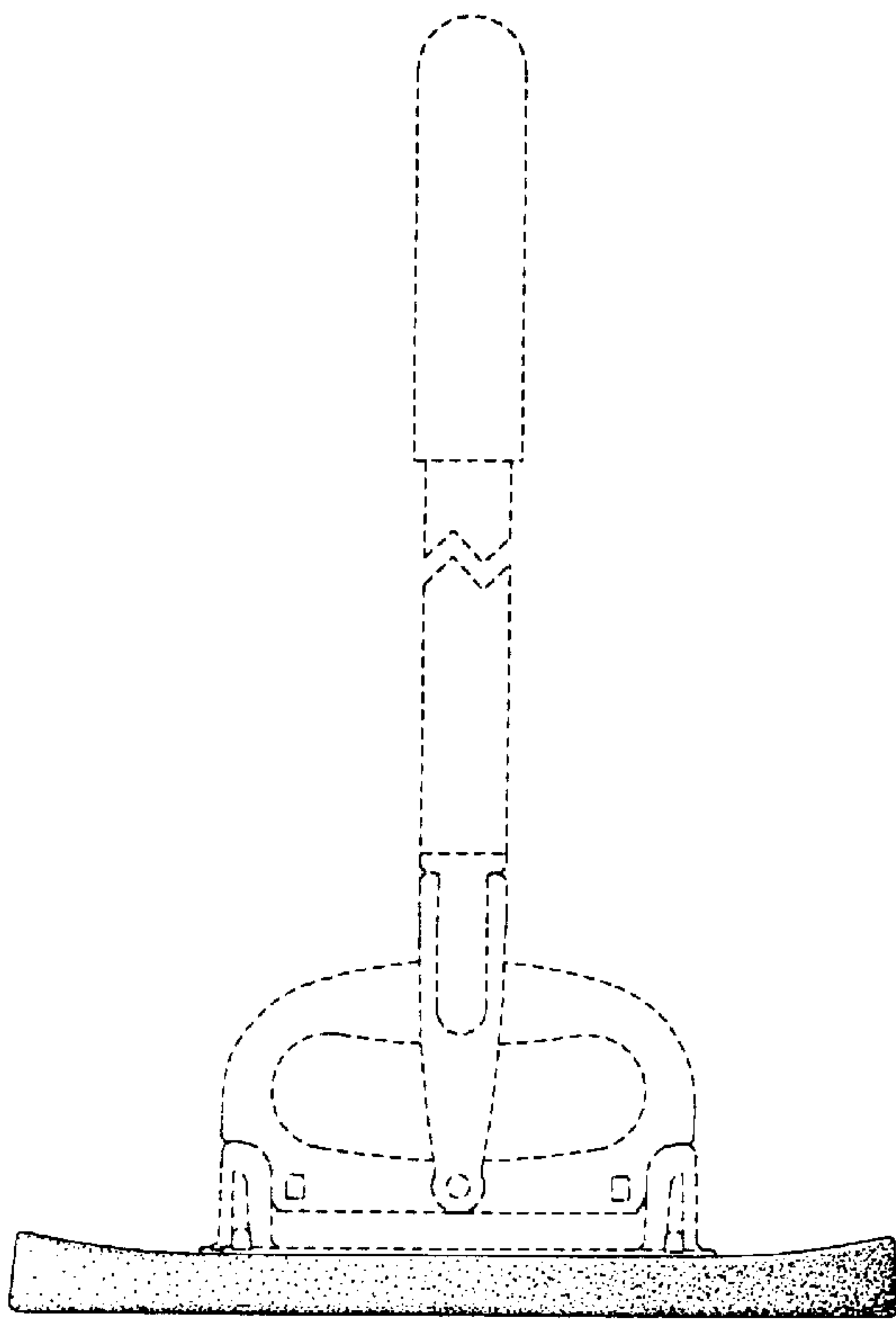


Fig. 4

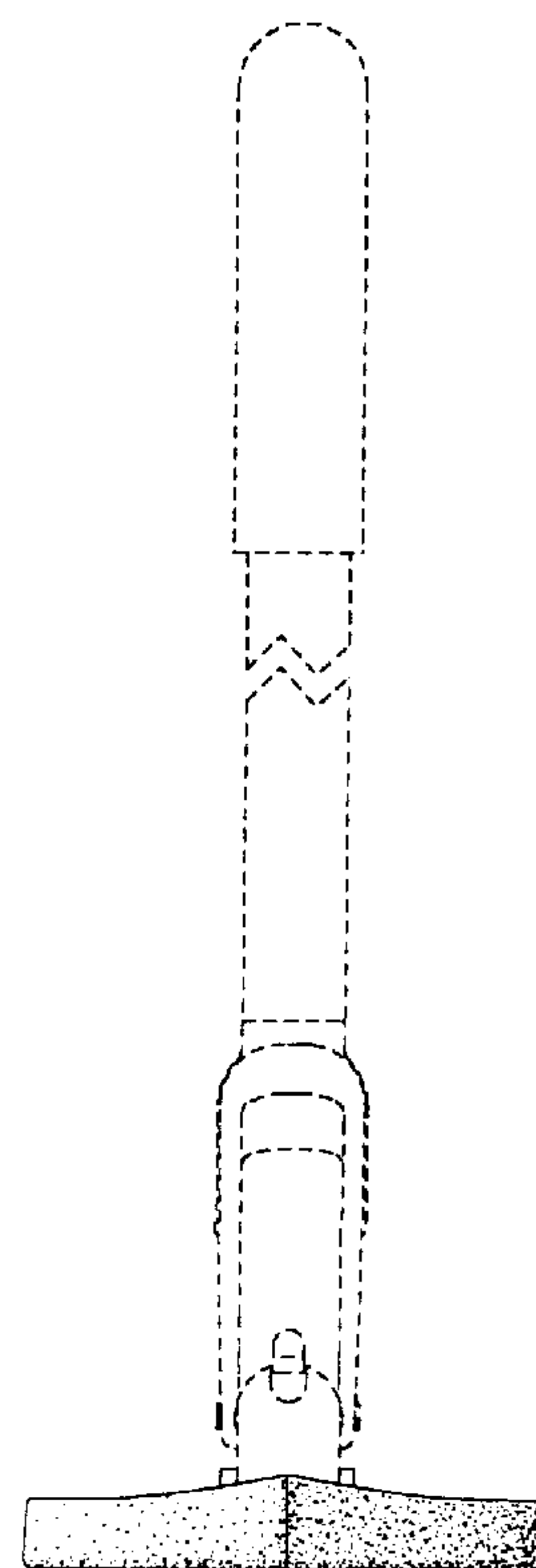


Fig. 5

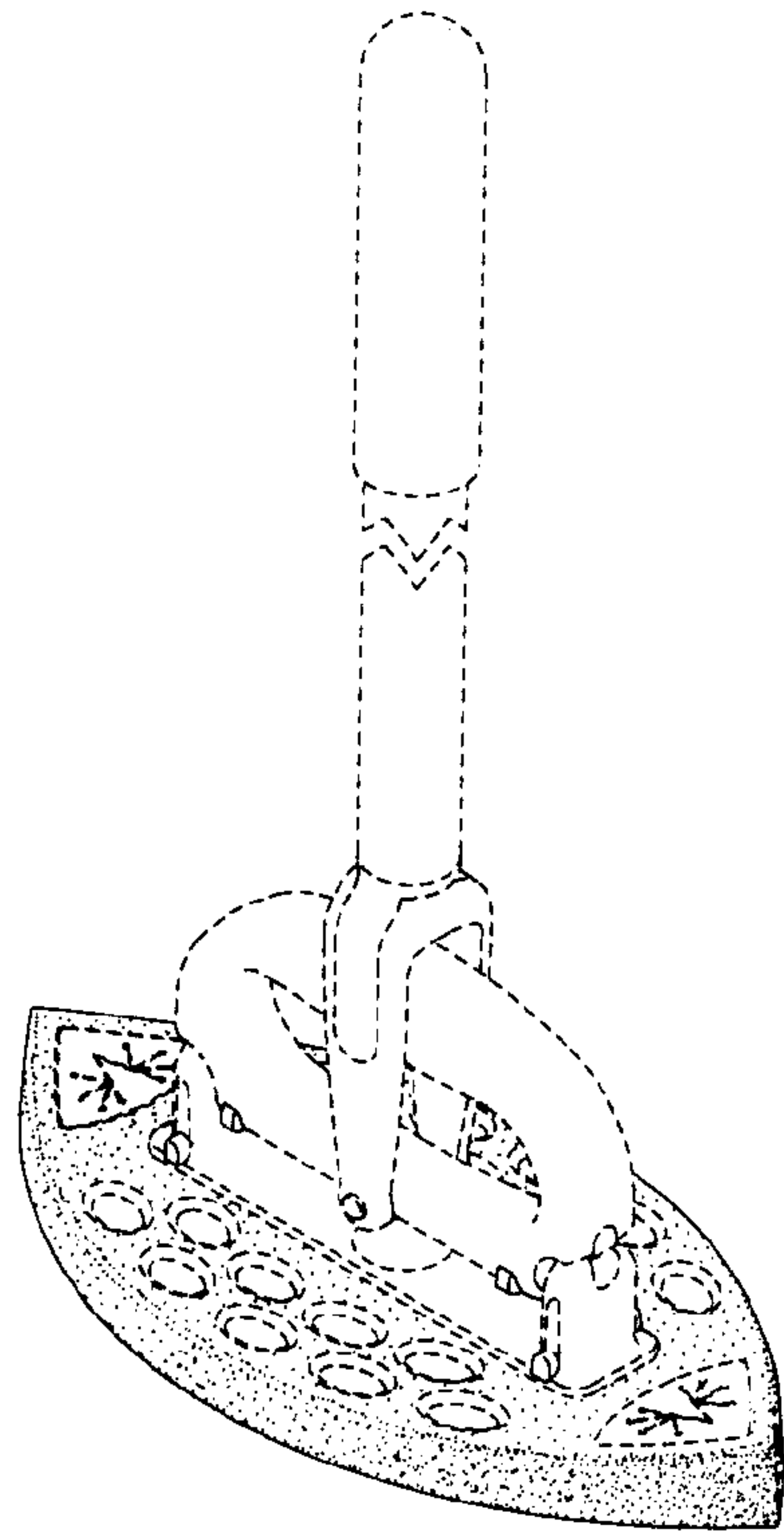


Fig. 6

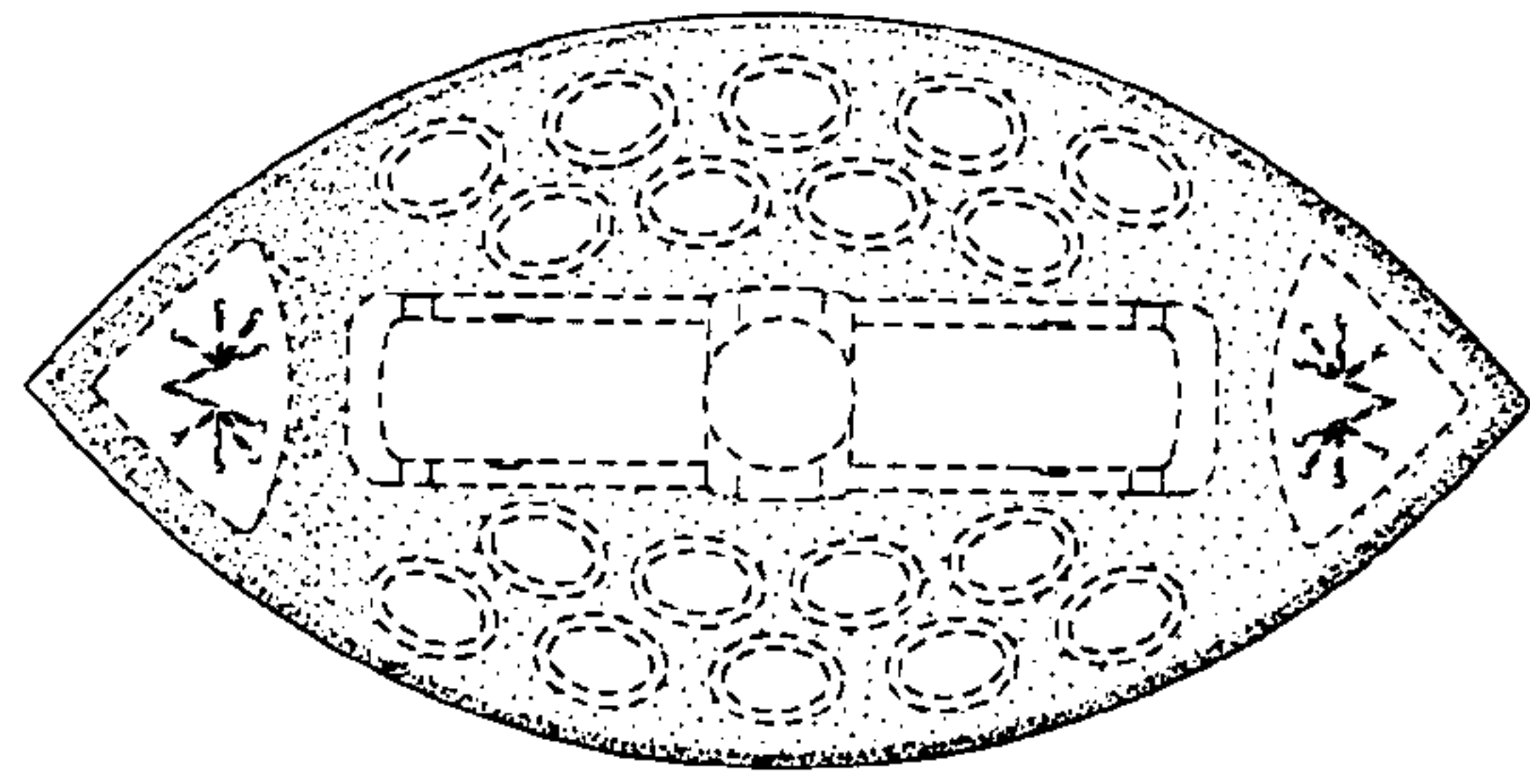


Fig. 7

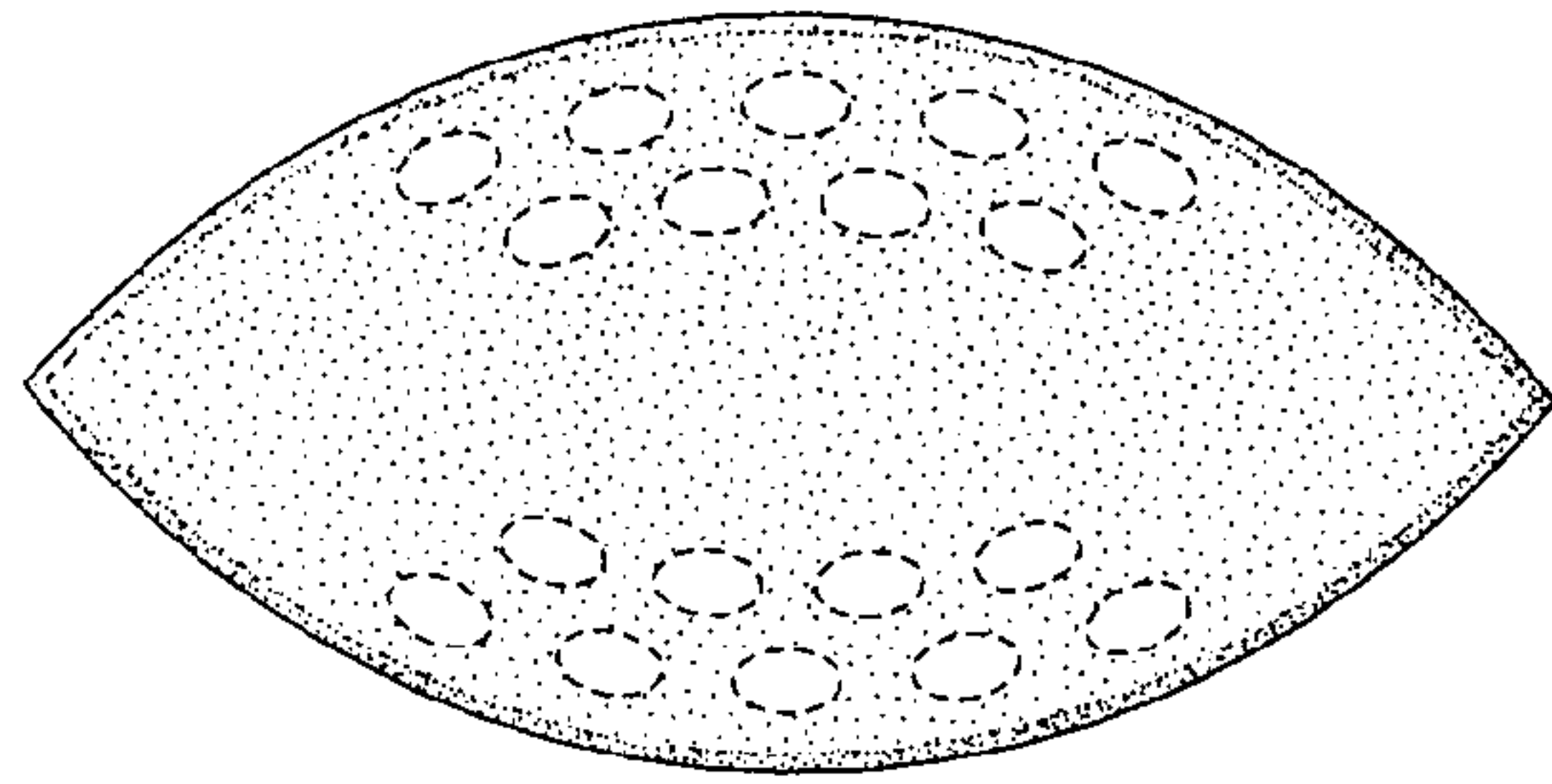


Fig. 8

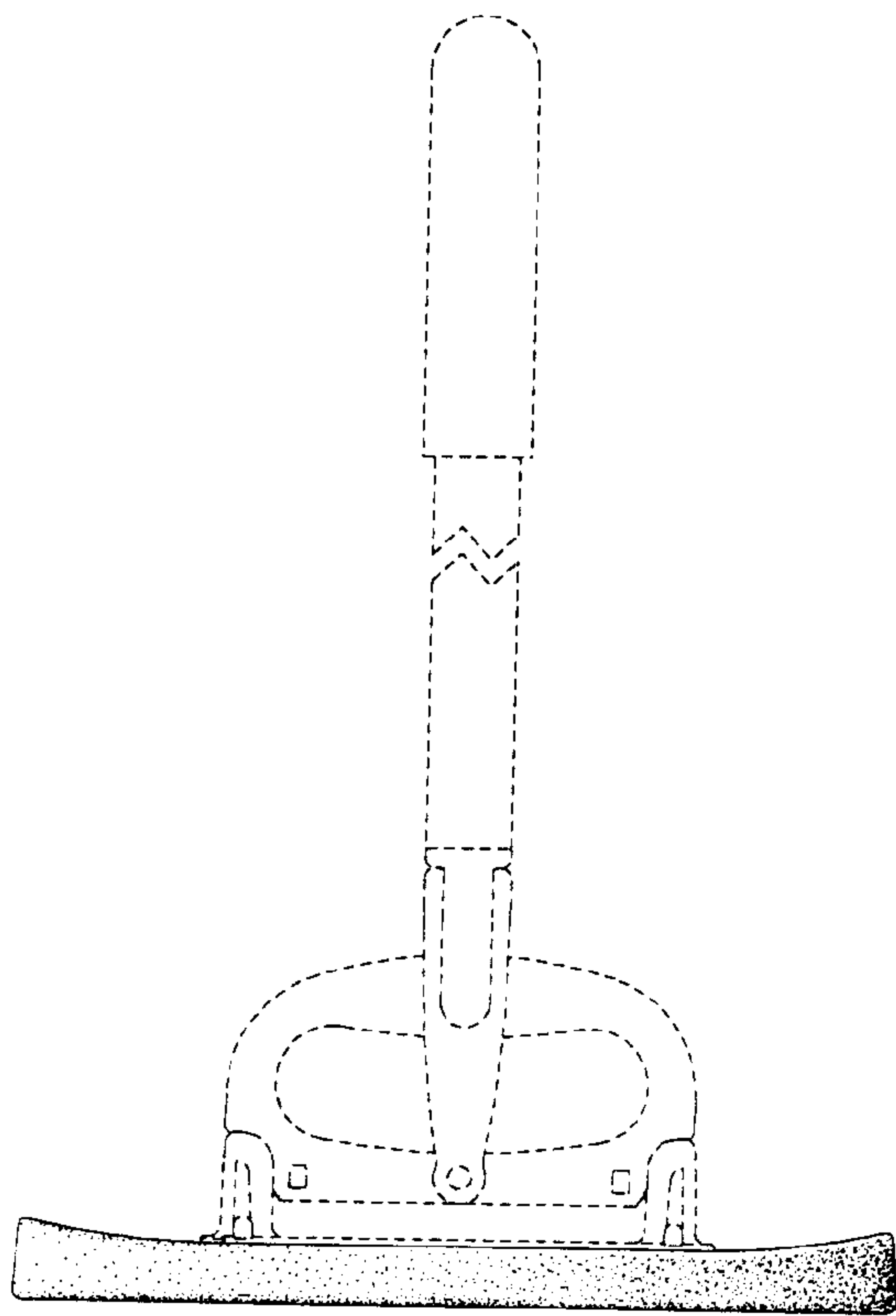


Fig. 9

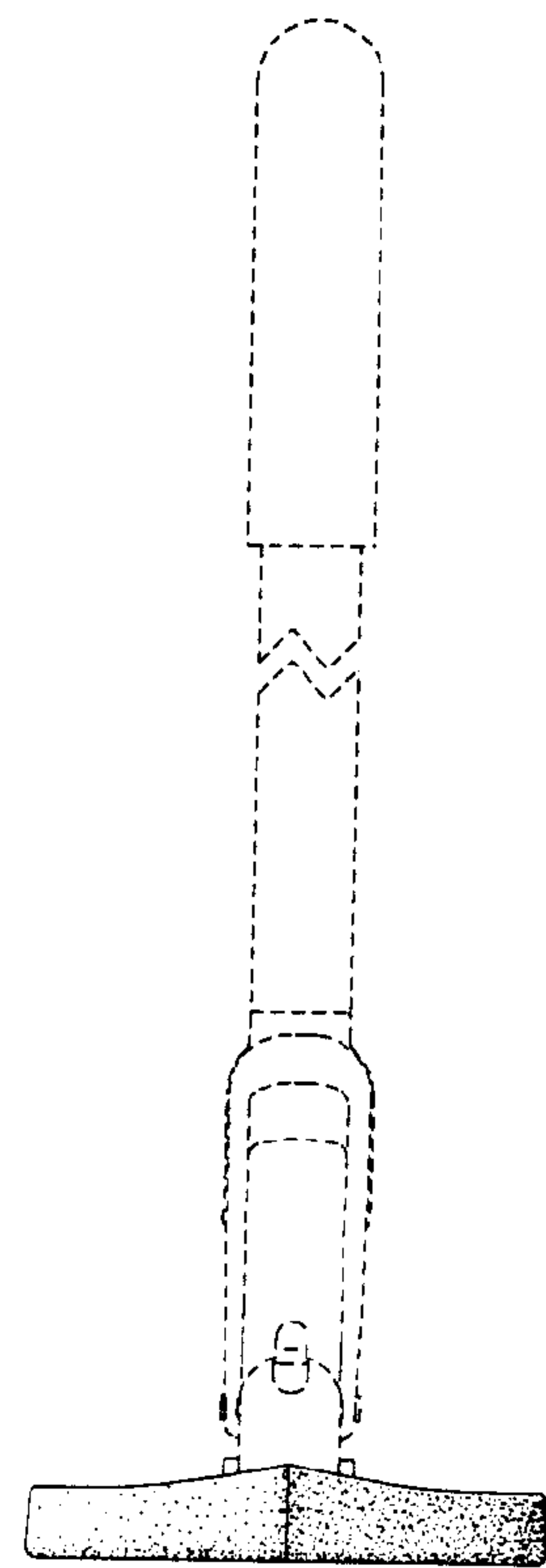


Fig. 10