



US00D513101S

(12) **United States Design Patent**
Allard et al.

(10) **Patent No.: US D513,101 S**
(45) **Date of Patent: ** Dec. 20, 2005**

(54) **ATTACHMENT FOR A CLEANING APPLIANCE**

(75) Inventors: **Matthew James Roger Allard**, Bath (GB); **Peter David Gammack**, Bath (GB); **Alexander Stuart Knox**, Bradford on Avon (GB); **Philip Kenneth Temple**, Norwich (GB)

(73) Assignee: **Dyson Limited**, Wiltshire (GB)

(**) Term: **14 Years**

(21) Appl. No.: **29/196,923**

(22) Filed: **Jan. 8, 2004**

(30) **Foreign Application Priority Data**

Jul. 18, 2003 (GB) 3013717

(51) **LOC (6) Cl. 15-05**

(52) **U.S. Cl. D32/32**

(58) **Field of Search** D32/17-18, 31-34, D32/21-22, 38-39; D30/158-159; D4/136; 15/41.1, 314, 322, 329, 339, 350, 352, 361, 375, 377, 387, 393, 396, 398, 400, 402, 410, 412, 414, 415.1-422.1, 327.1-327.2, 327.4-327.7; 119/606, 615; 285/7

(56) **References Cited**

U.S. PATENT DOCUMENTS

D217,285 S * 4/1970 Anderson D32/31
D359,148 S * 6/1995 Henrie D32/33
D400,325 S * 10/1998 Broecking D32/33

D405,570 S * 2/1999 Broecking D32/32
D453,866 S * 2/2002 Nighy et al. D32/31
D470,983 S * 2/2003 Svaldi D32/31
D477,445 S * 7/2003 Schroter D32/31
D480,848 S * 10/2003 Smith et al. D32/31

* cited by examiner

Primary Examiner—Ruth McInroy

(74) *Attorney, Agent, or Firm*—Morrison & Foerster LLP

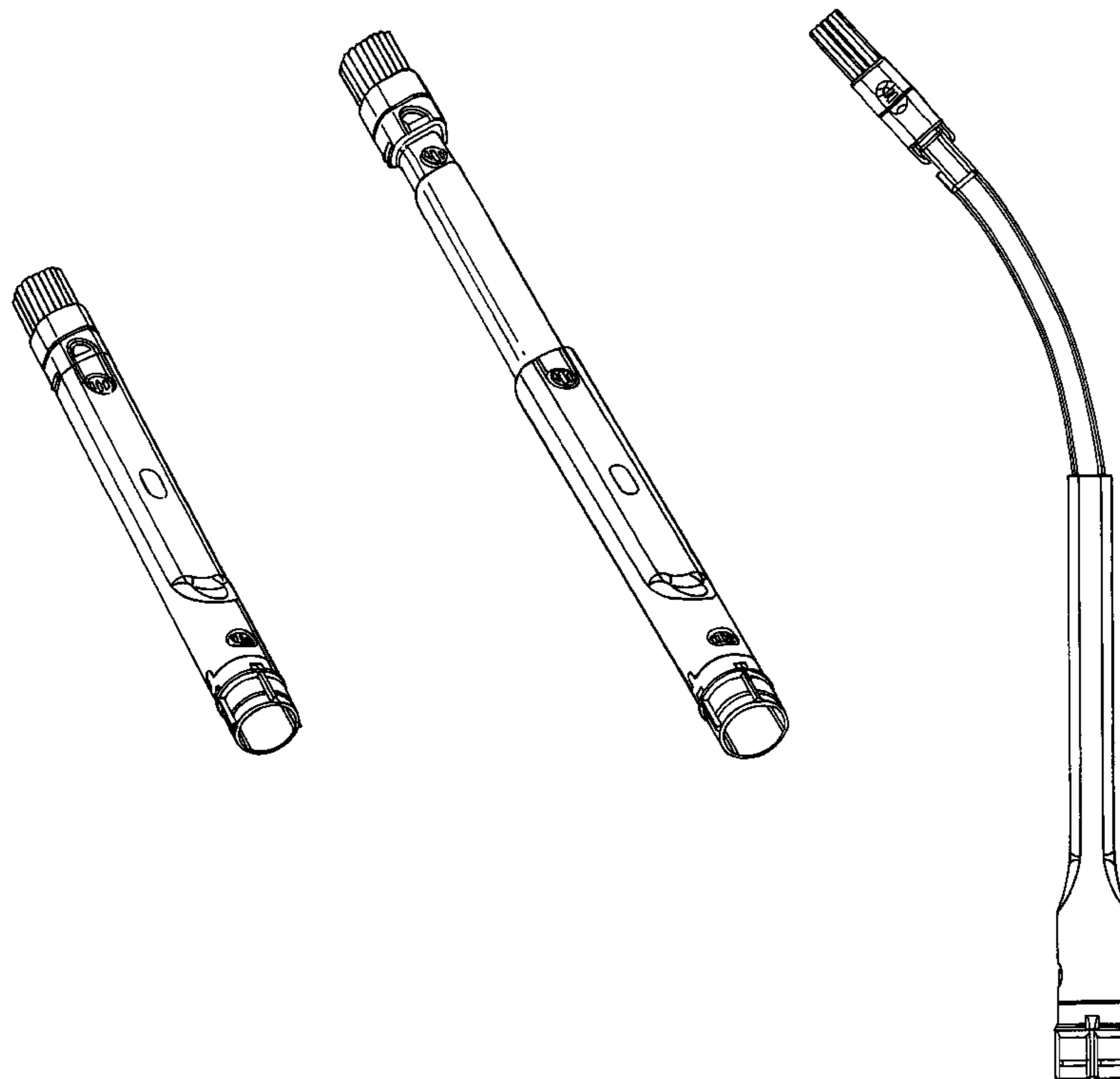
(57) **CLAIM**

We claim the ornamental design for an attachment for a cleaning appliance, as shown and described.

DESCRIPTION

FIG. 1 is a front view of an attachment for a cleaning appliance in a retracted position, showing our new design; FIG. 2 is a rear view thereof; FIG. 3 is a side view thereof; FIG. 4 is a side view of the opposite side of FIG. 3; FIG. 5 is a perspective view thereof; FIG. 6 is a top view thereof; FIG. 7 is a bottom view thereof; FIG. 8 is a front view of an attachment for a cleaning appliance in an extended position; FIG. 9 is a rear view in an extended position; FIG. 10 is a side view in an extended position; FIG. 11 is a side view of the opposite side of FIG. 10; FIG. 12 is a perspective view in an extended position; and, FIG. 13 is a perspective view in an extended and flexed position.

1 Claim, 12 Drawing Sheets



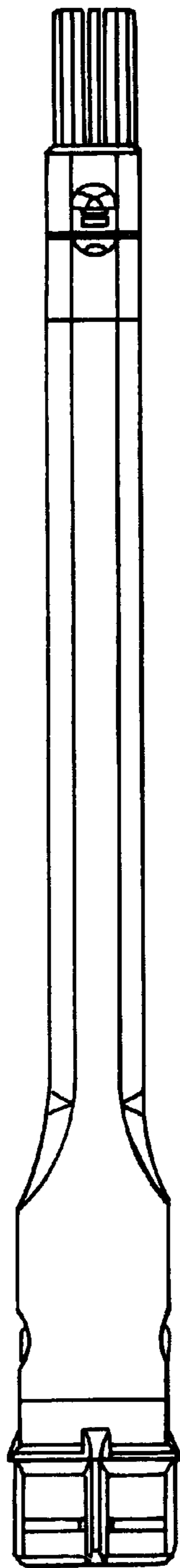


Fig. 1

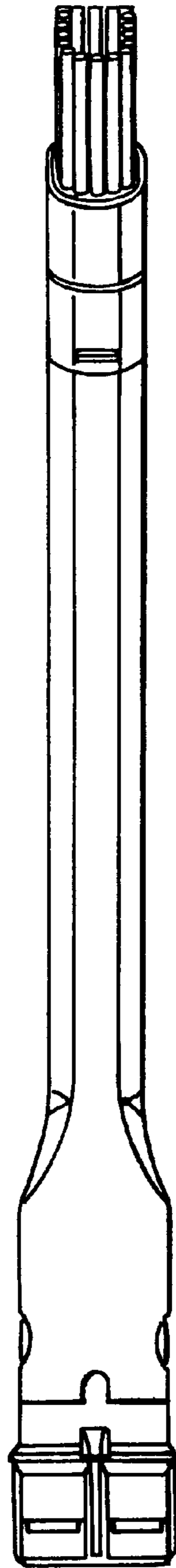


Fig. 2

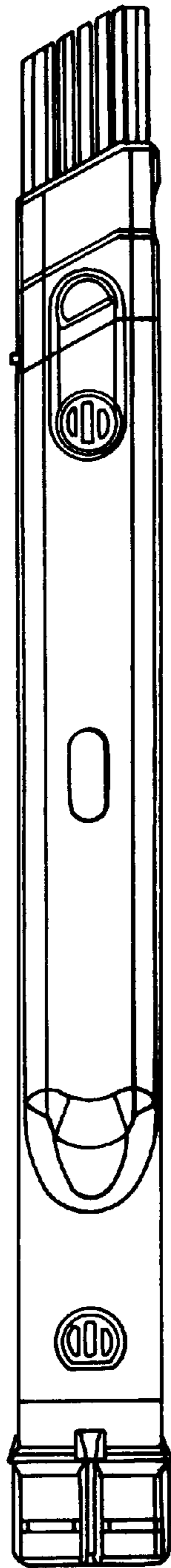


Fig. 3

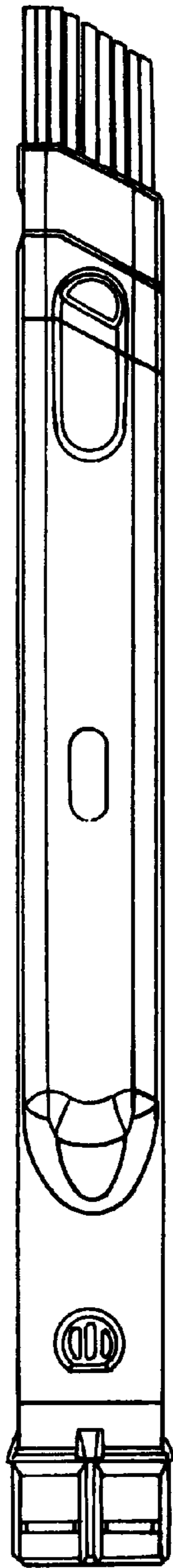


Fig. 4

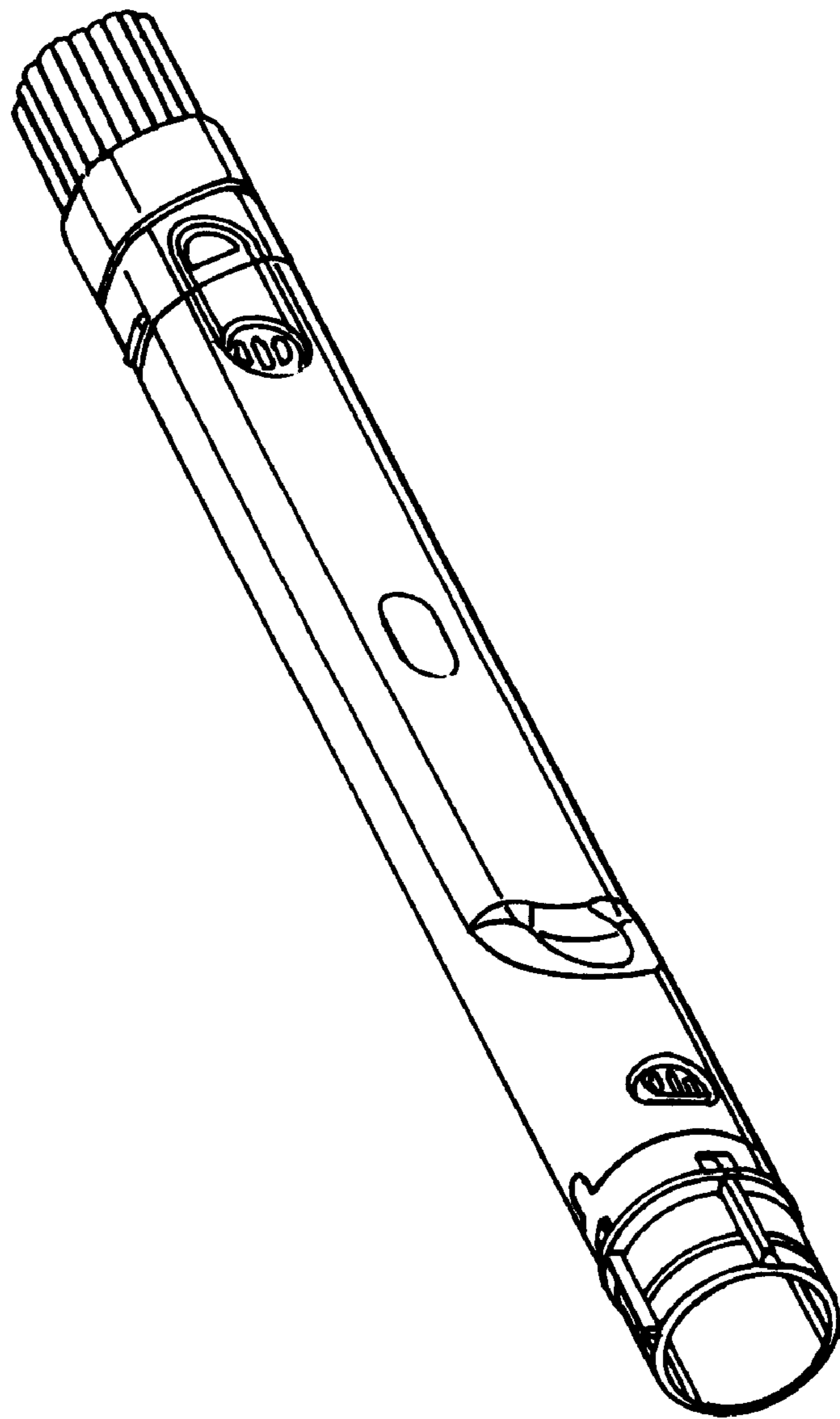


Fig. 5

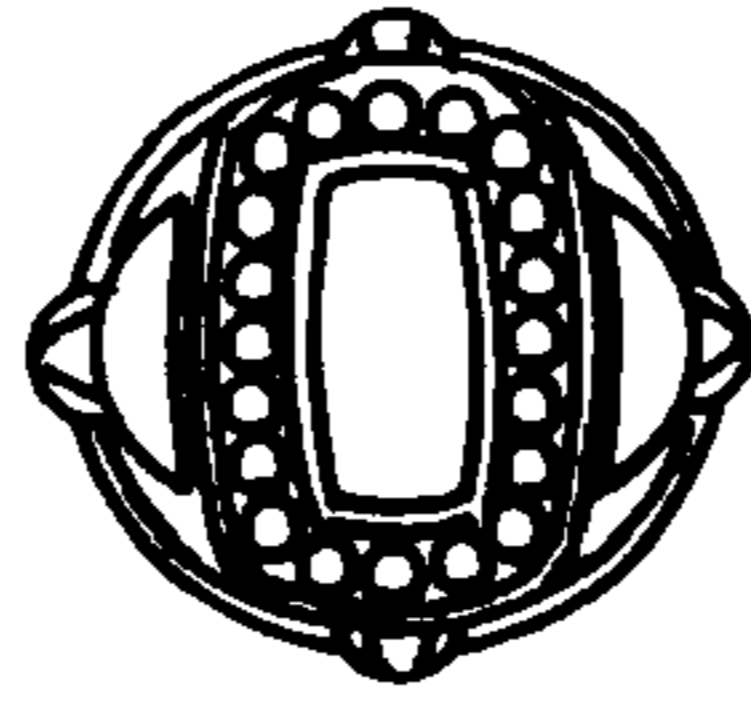


Fig. 6

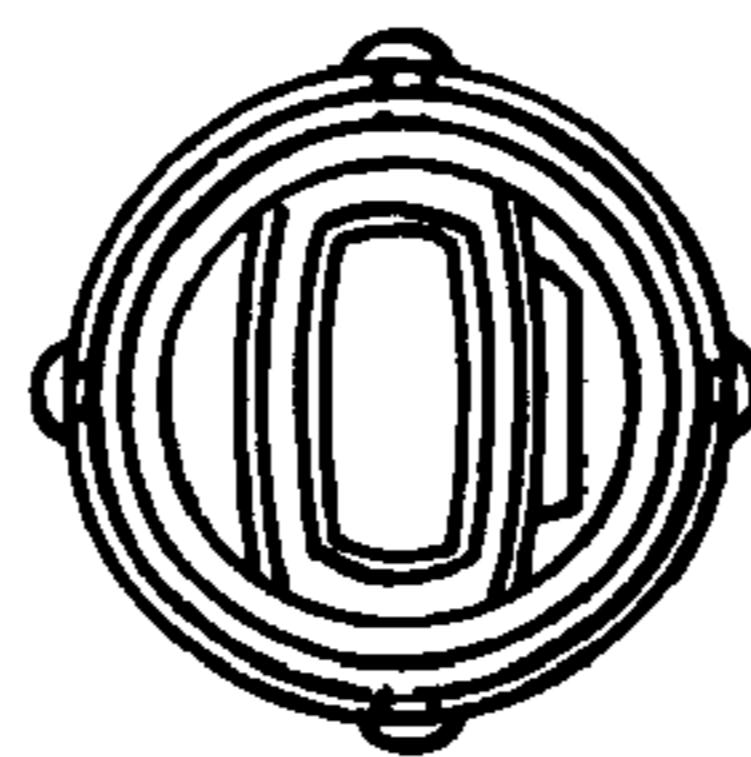


Fig. 7

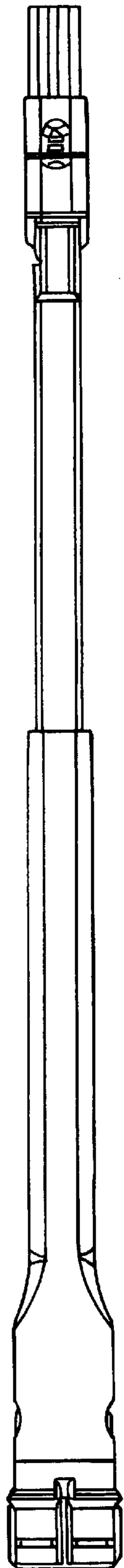


Fig. 8

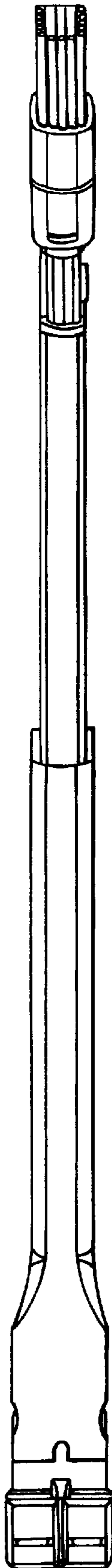


Fig. 9

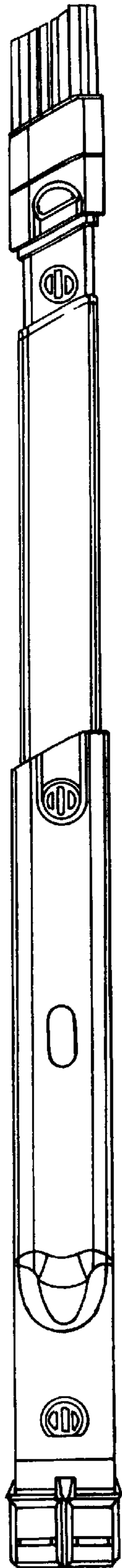


Fig. 10

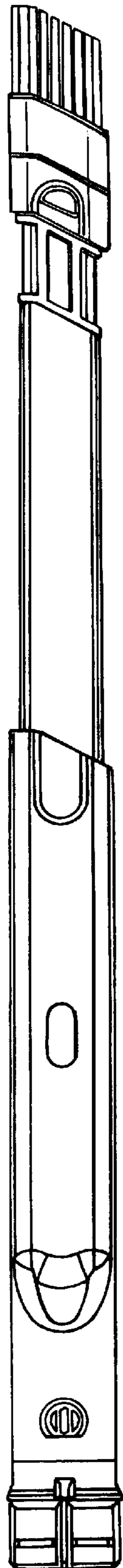


Fig. 11

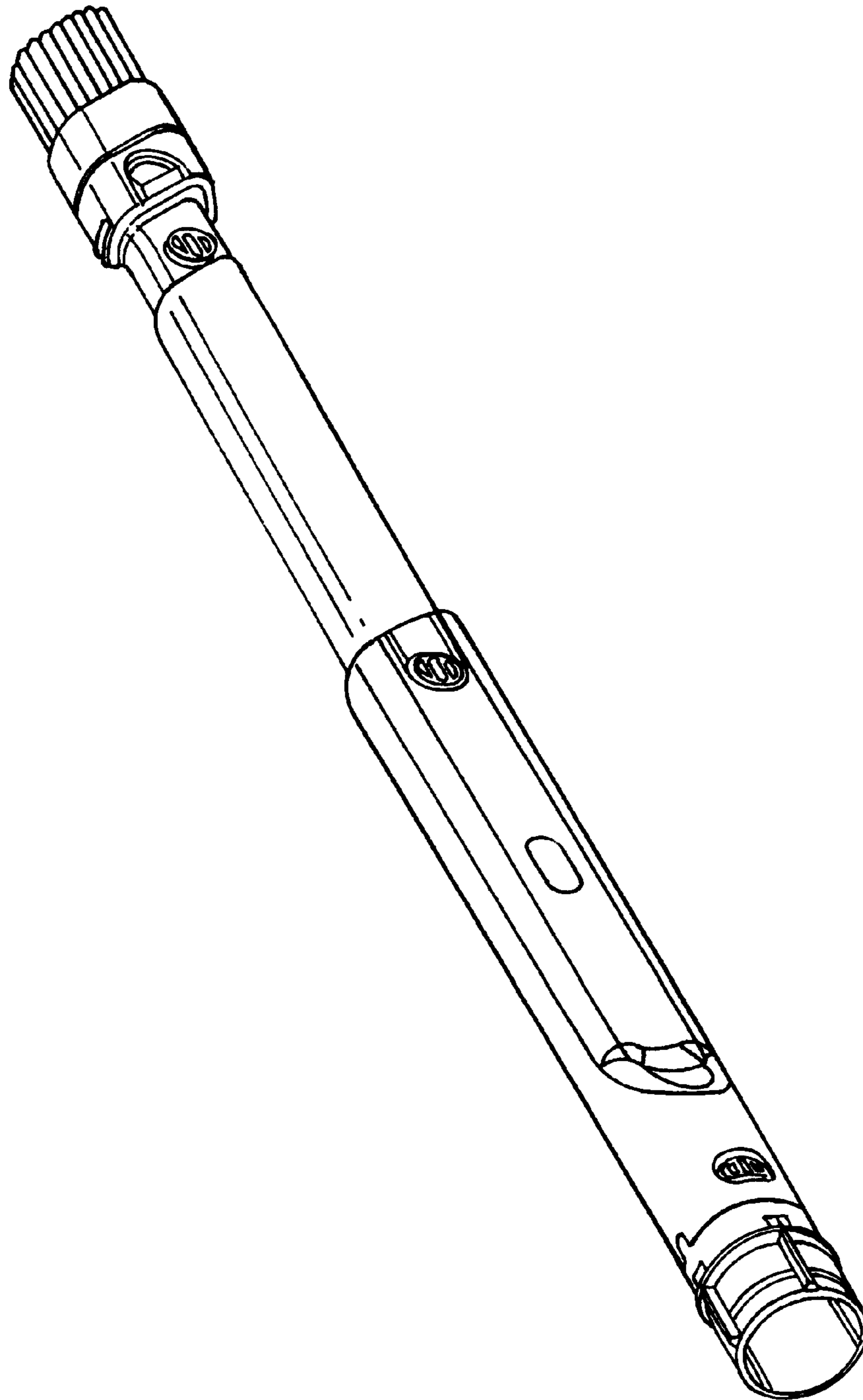


Fig. 12

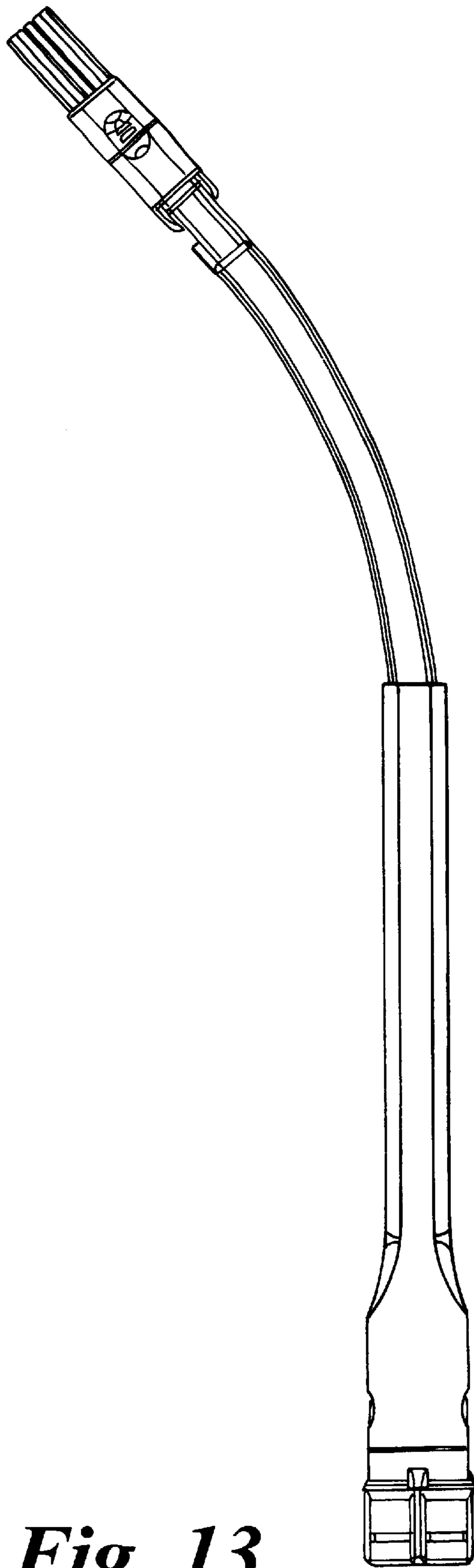


Fig. 13