



US00D513100S

(12) **United States Design Patent**
Shin et al.

(10) **Patent No.:** **US D513,100 S**
(45) **Date of Patent:** **** Dec. 20, 2005**

(54) **LIFT FOR A DRUM IN AN ELECTRONIC WASHING MACHINE**

Primary Examiner—Robert A. Delehanty

(75) Inventors: **Soo Hee Shin**, Busan (KR); **Hye Sun Jung**, Masan-si (KR)

(74) *Attorney, Agent, or Firm*—Birch, Stewart, Kolasch & Birch, LLP

(73) Assignee: **LG Electronics Inc.**, Seoul (KR)

(57) **CLAIM**

(**) Term: **14 Years**

The ornamental design for a lift for a drum in an electronic washing machine, as shown and described.

(21) Appl. No.: **29/206,762**

(22) Filed: **Jun. 4, 2004**

DESCRIPTION

(30) **Foreign Application Priority Data**

Dec. 5, 2003 (KR) 30-2003-0034810

FIG. 1 is a front, left perspective view of the lift for a drum in an electronic washing machine showing our new design;

(51) **LOC (6) Cl.** **15-05**

FIG. 2 is a front view thereof;

(52) **U.S. Cl.** **D32/26**

FIG. 3 is a rear view thereof;

(58) **Field of Search** D32/1, 5-10, 25, D32/28; 68/3 R, 5 R, 12.01; 34/523-524, 87-88; 312/31

FIG. 4 is a left side view thereof, the right side view being a mirror image thereof;

(56) **References Cited**

U.S. PATENT DOCUMENTS

D502,298 S * 2/2005 No et al. D32/26

FIG. 5 is a top plan view thereof; and,

FIG. 6 is a bottom view thereof.

* cited by examiner

1 Claim, 2 Drawing Sheets

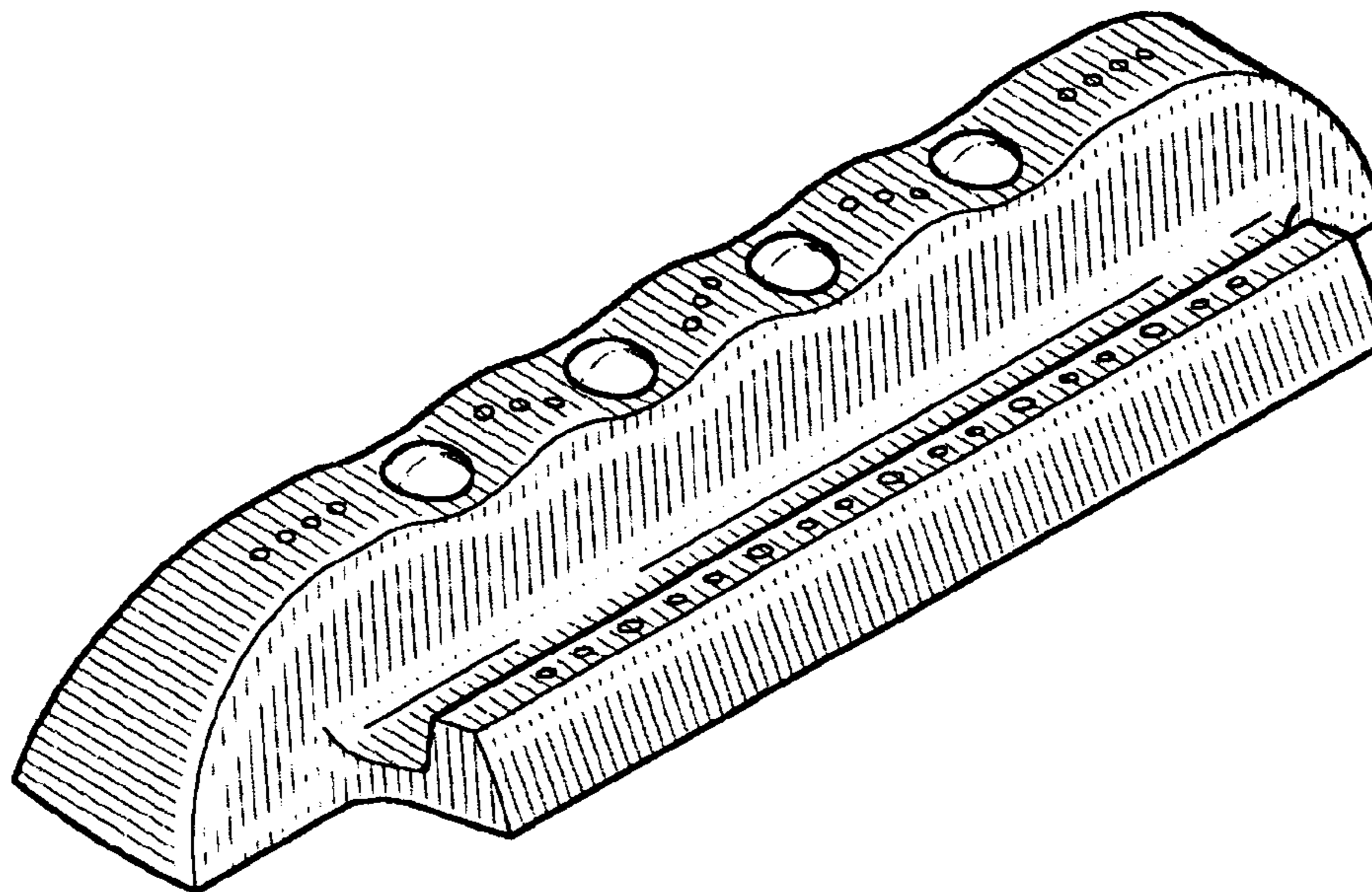


FIG. 1

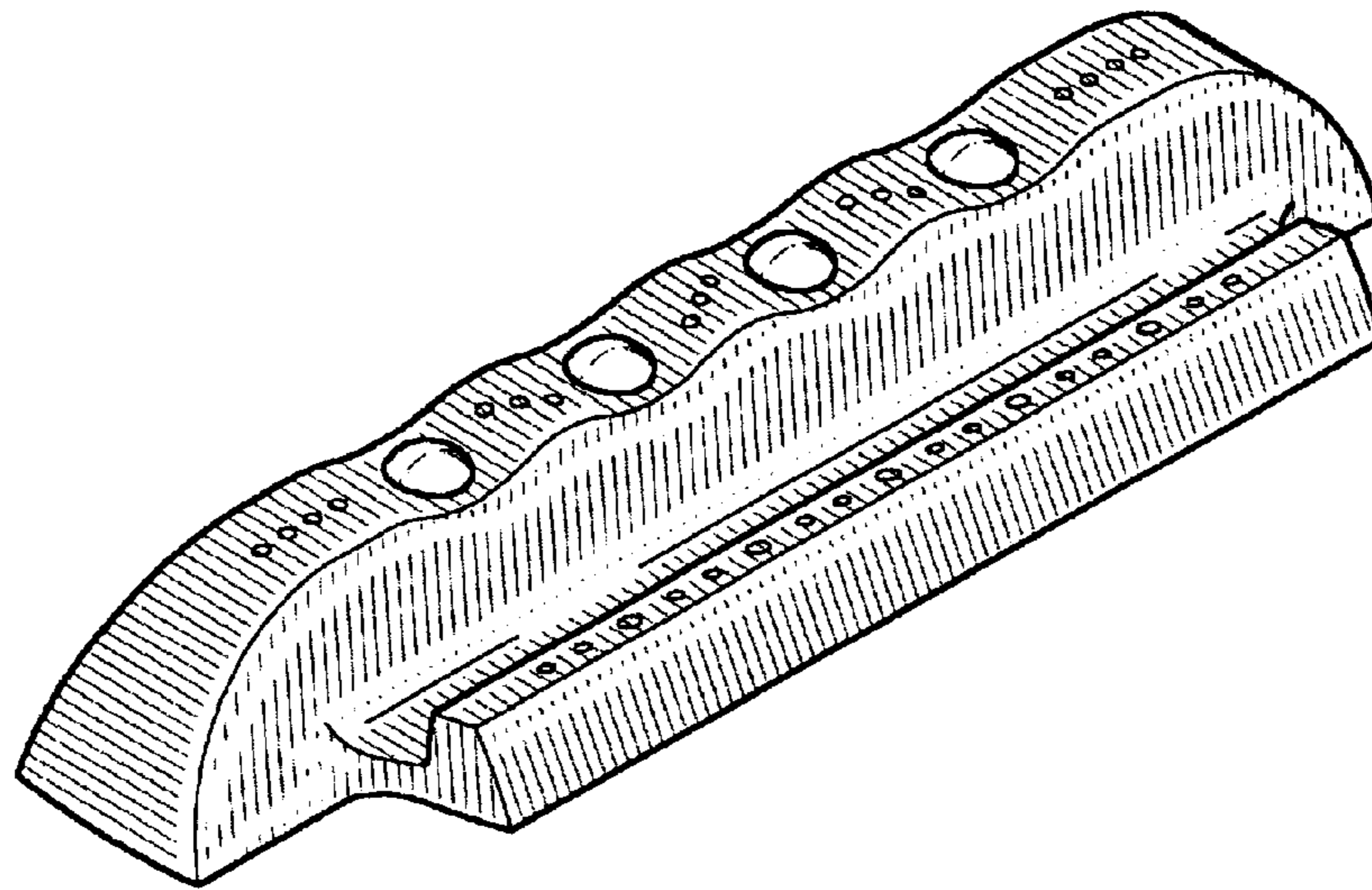


FIG. 2

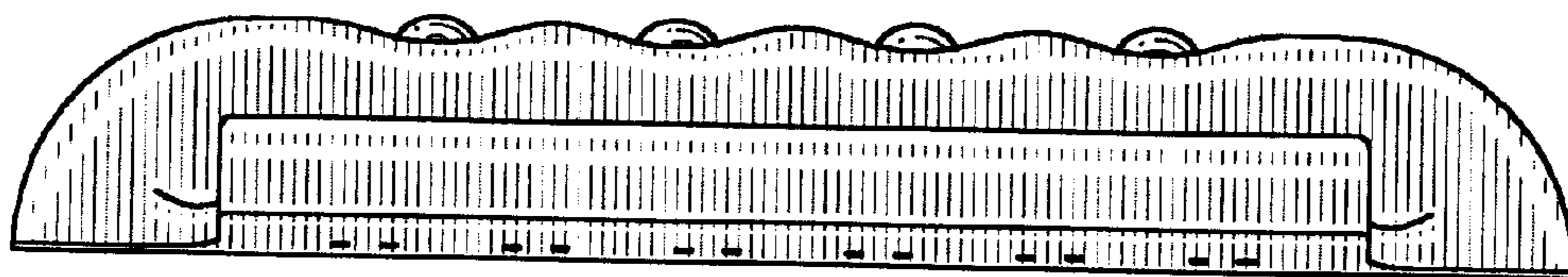


FIG. 3

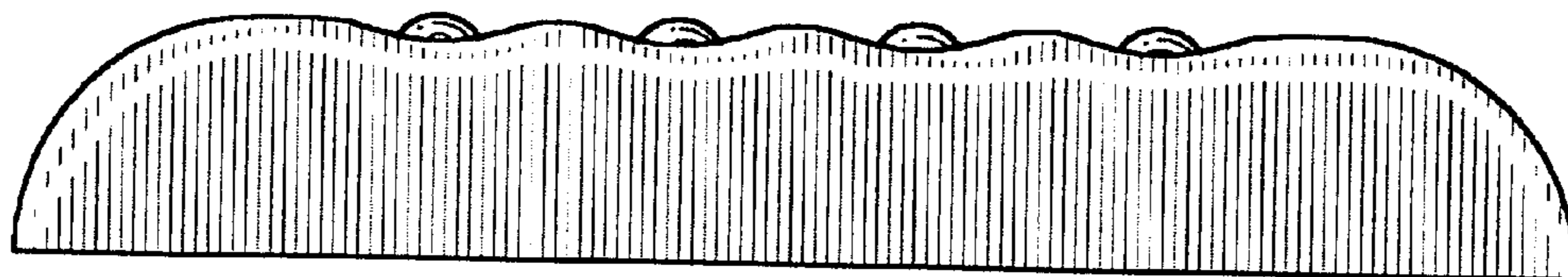


FIG. 4

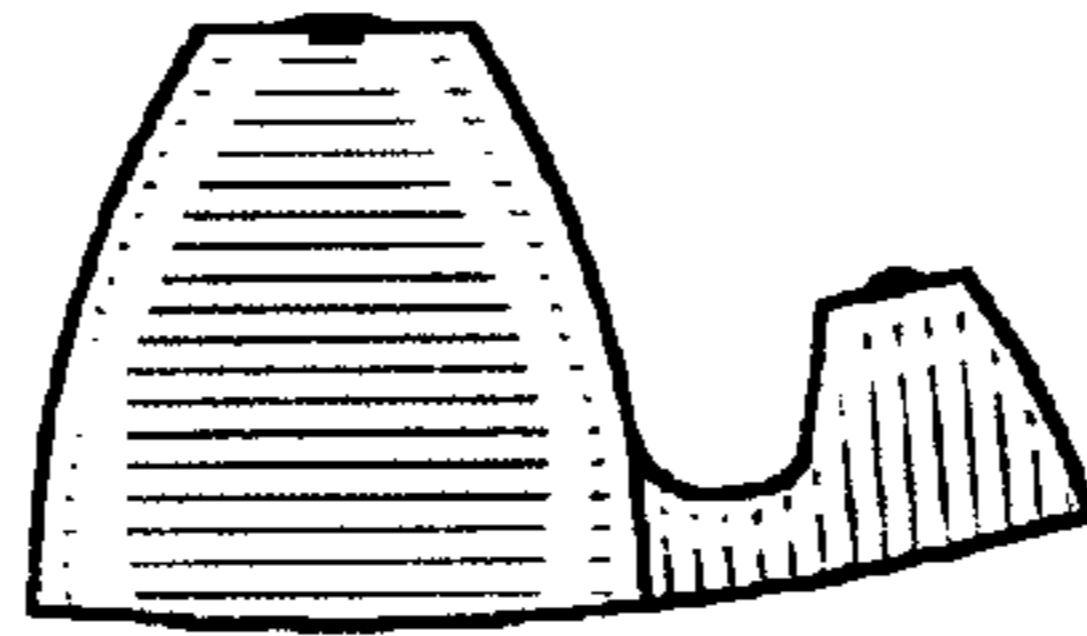


FIG. 5

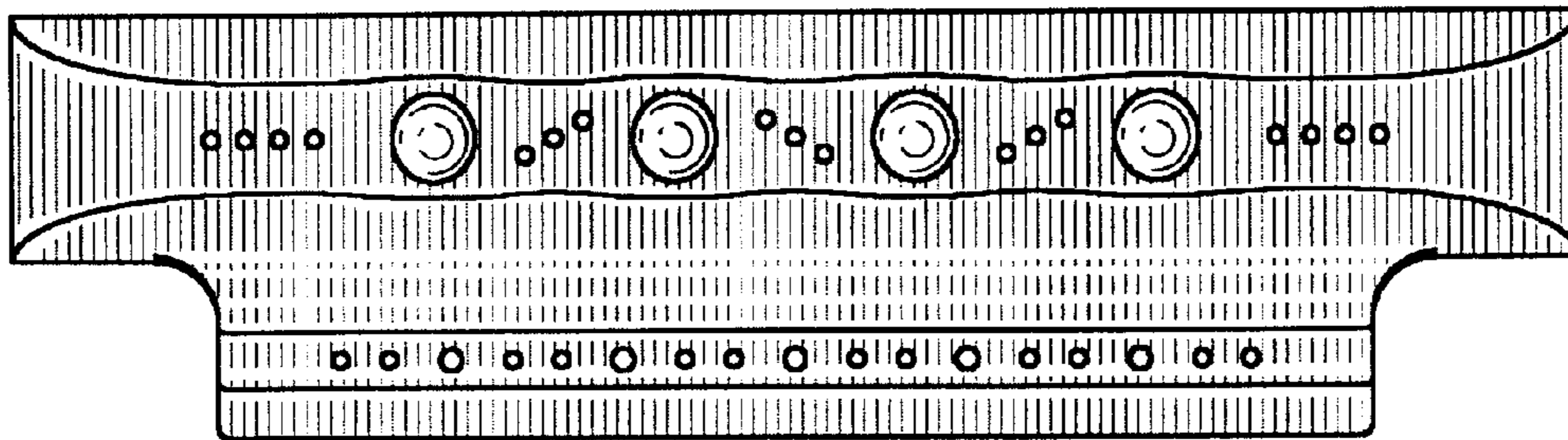


FIG. 6

