



US00D513097S

(12) **United States Design Patent**
Kim

(10) **Patent No.:** **US D513,097 S**

(45) **Date of Patent:** **** Dec. 20, 2005**

(54) **DISH-WASHING MACHINE**

D495,104 S * 8/2004 Kaczmarek D32/3

(75) Inventor: **Hyon I Kim**, Seoul (KR)

* cited by examiner

(73) Assignee: **LG Electronics Inc.**, Seoul (KR)

Primary Examiner—Robert A. Delehanty

(**) Term: **14 Years**

(74) *Attorney, Agent, or Firm*—Birch, Stewart, Kolasch & Birch, LLP

(21) Appl. No.: **29/212,824**

(57) **CLAIM**

(22) Filed: **Sep. 9, 2004**

The ornamental design for a dish-washing machine, as shown and described.

(30) **Foreign Application Priority Data**

Mar. 11, 2004 (KR) 30-2004-0006839

DESCRIPTION

(51) **LOC (6) Cl.** **15-05**

FIG. 1 is a perspective view of a dish-washing machine showing my new design;

(52) **U.S. Cl.** **D32/2**

FIG. 2 is a front view thereof;

(58) **Field of Search** D32/2-3, 28; D7/348-349, D7/405-406; 134/113, 201, 57 D, 57 DL, 56 D, 58 D, 58 DL; 312/31, 204; 68/212

FIG. 3 is a rear view thereof;

FIG. 4 is a left side view thereof where the right side view is a mirror image;

(56) **References Cited**

U.S. PATENT DOCUMENTS

5,908,227 A * 6/1999 Wilhelmstatter et al. ... 312/204

FIG. 5 is a top plan view thereof; and,

FIG. 6 is a bottom plan view thereof.

1 Claim, 5 Drawing Sheets

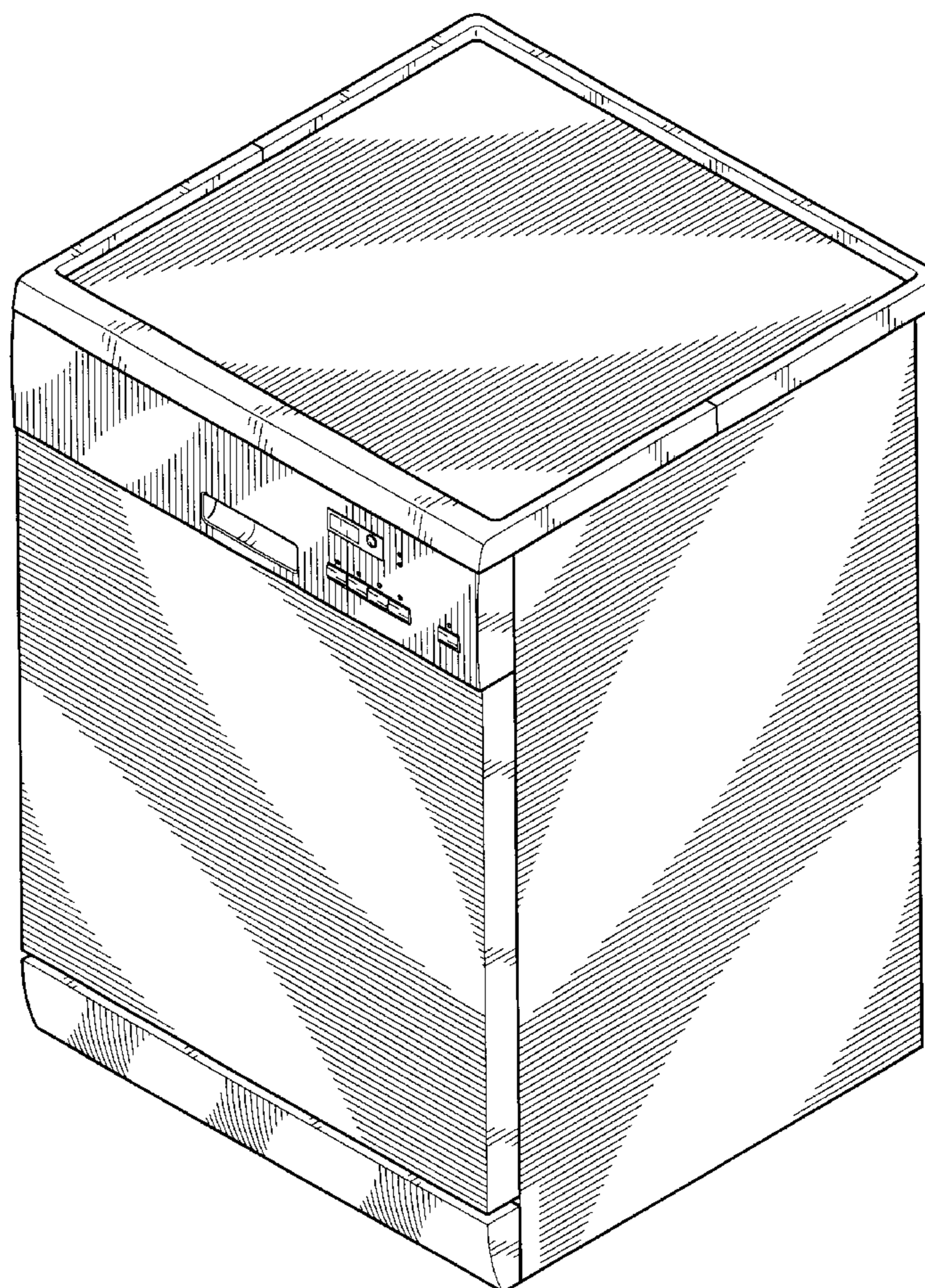


FIG. 1

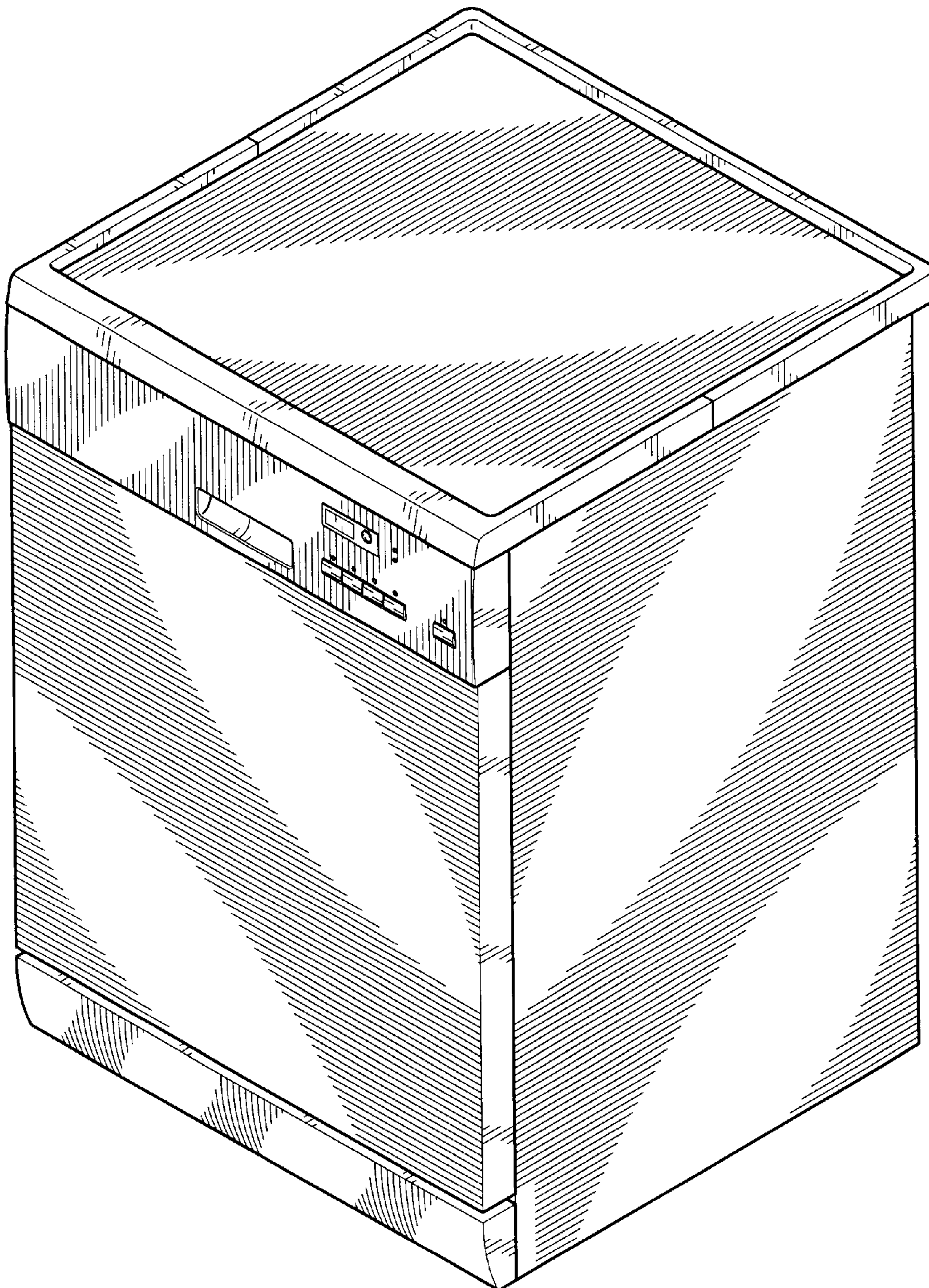


FIG. 2

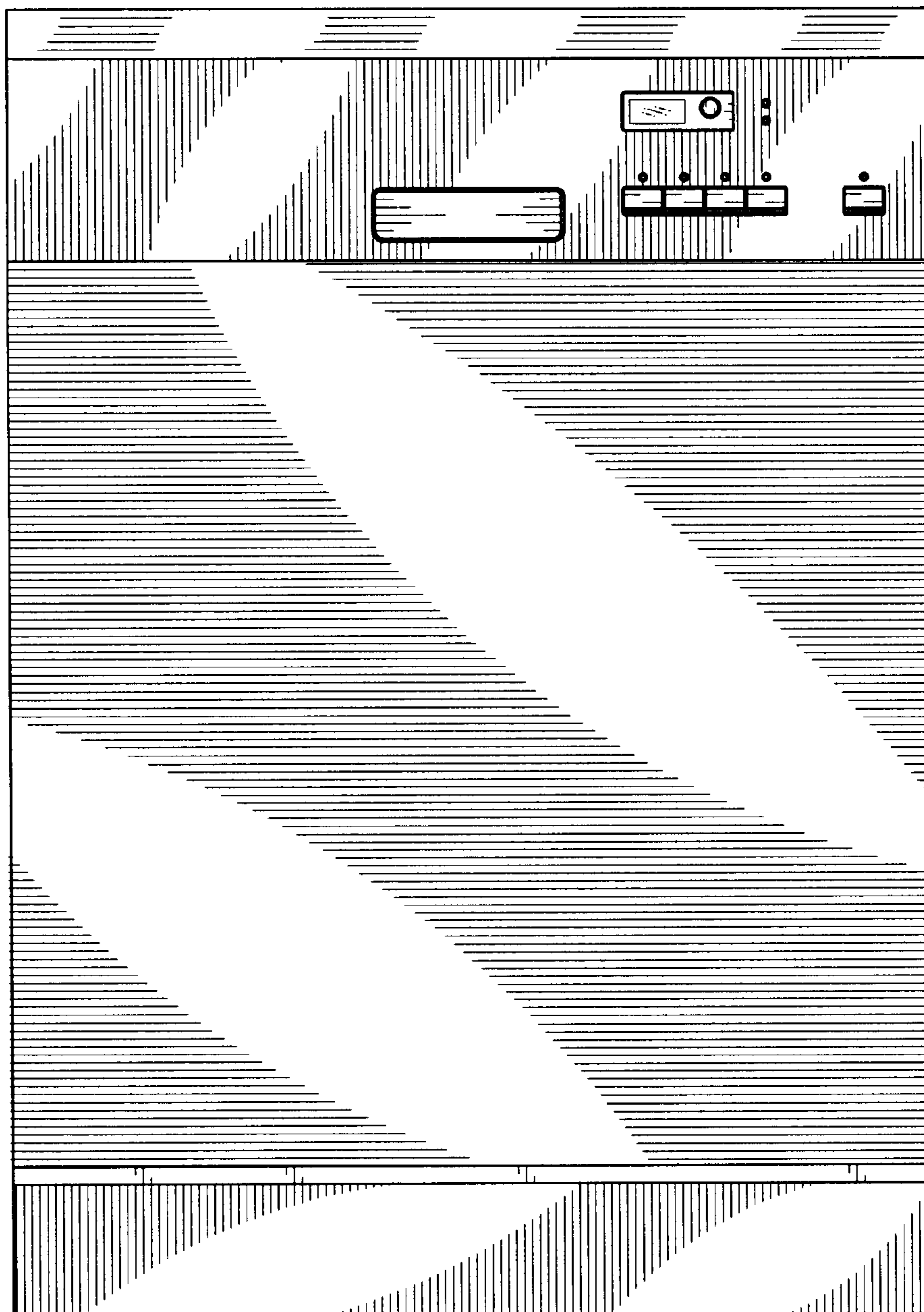


FIG. 3

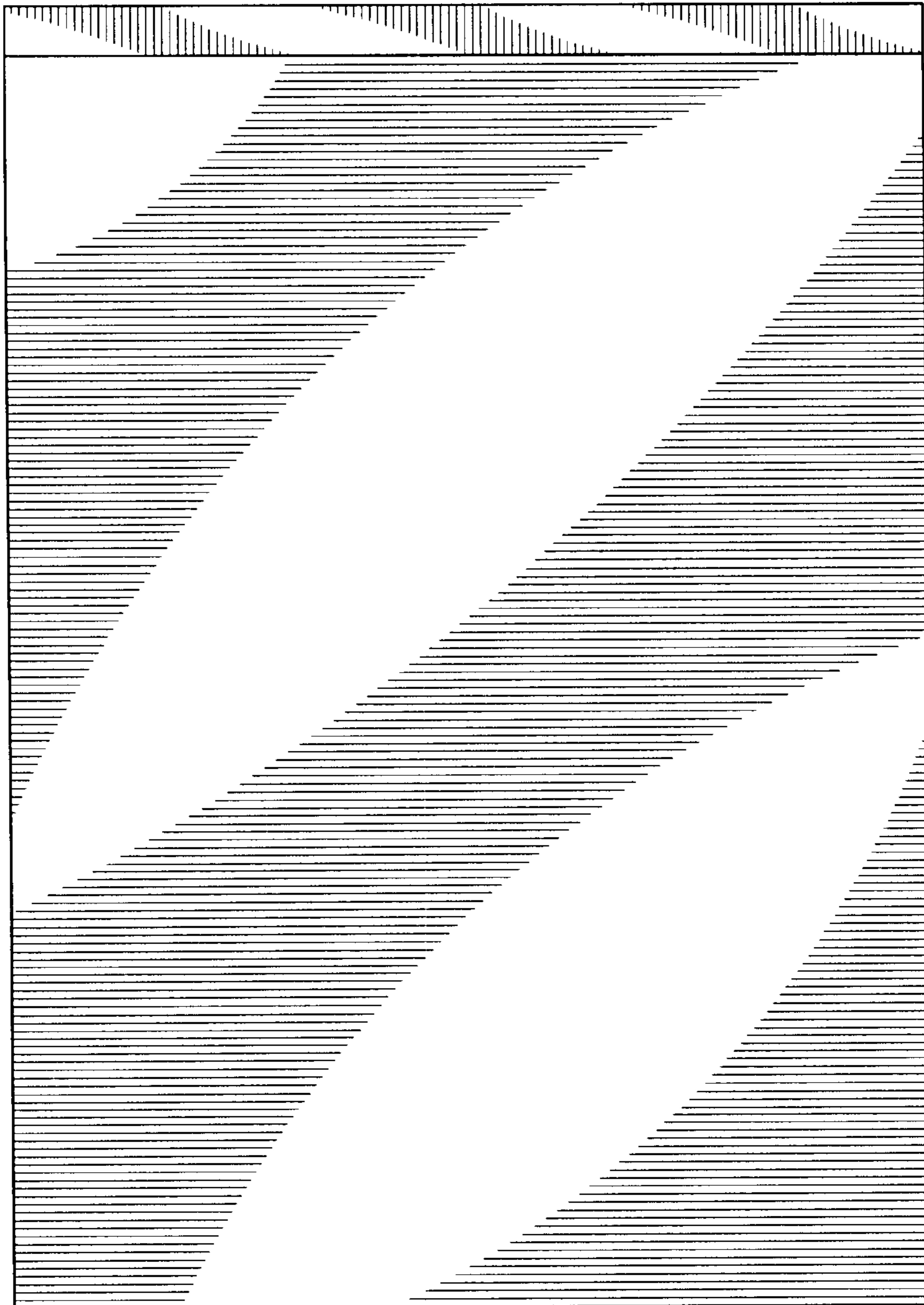


FIG. 4

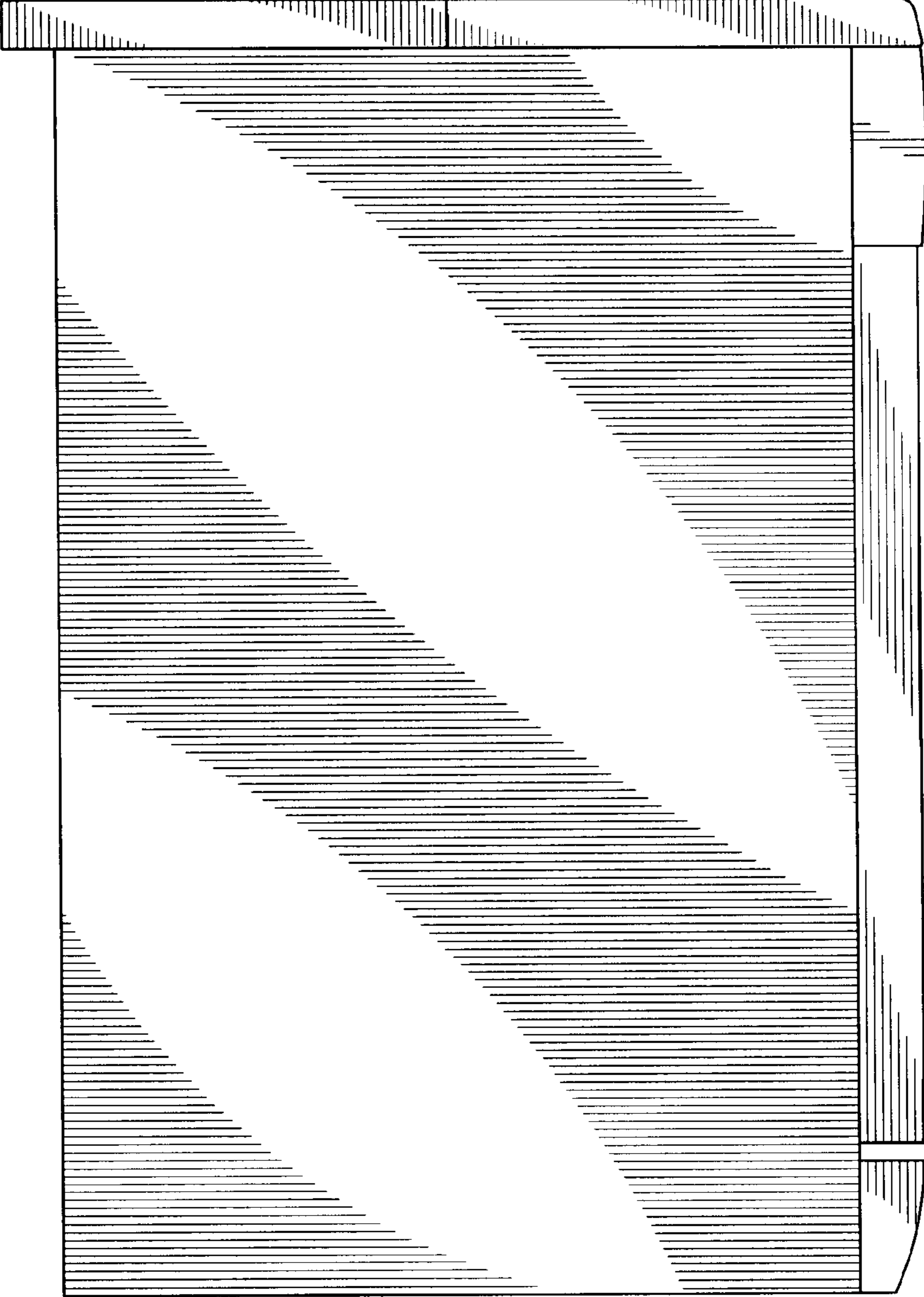


FIG. 5

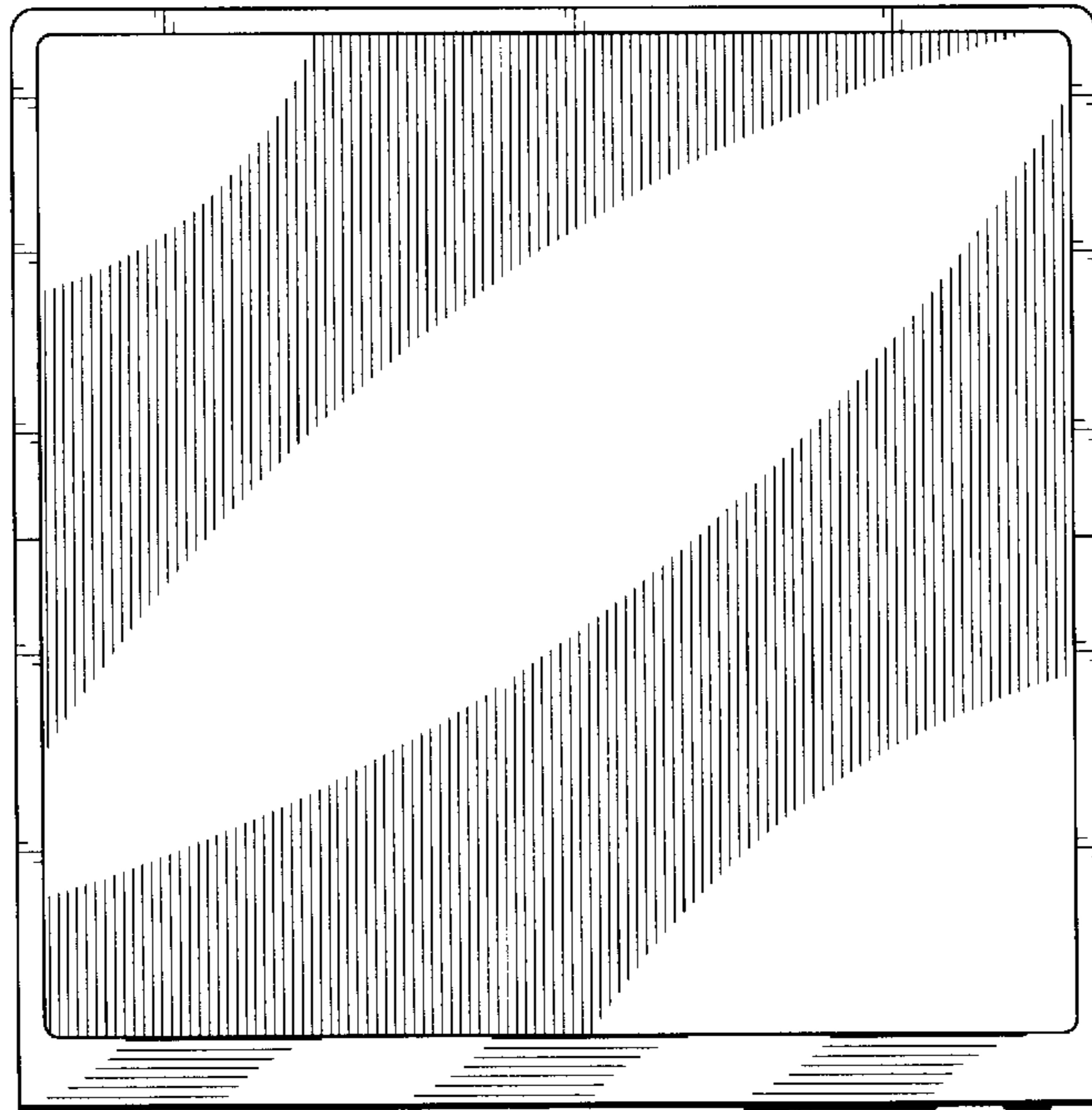


FIG. 6

