



US00D513086S

(12) **United States Design Patent** (10) **Patent No.:** **US D513,086 S**
Koury (45) **Date of Patent:** **** Dec. 20, 2005**

- (54) **LAMP HAVING X-SHAPED BASE**
- (75) Inventor: **Steffen Koury**, Boston, MA (US)
- (73) Assignee: **Tensor Corporation**, Chelsea, MA (US)
- (**) Term: **14 Years**
- (21) Appl. No.: **29/210,075**
- (22) Filed: **Jul. 27, 2004**
- (51) **LOC (6) Cl.** **26-05**
- (52) **U.S. Cl.** **D26/65**
- (58) **Field of Search** D26/60-66, 106-112;
362/410-414, 269-275, 277-289

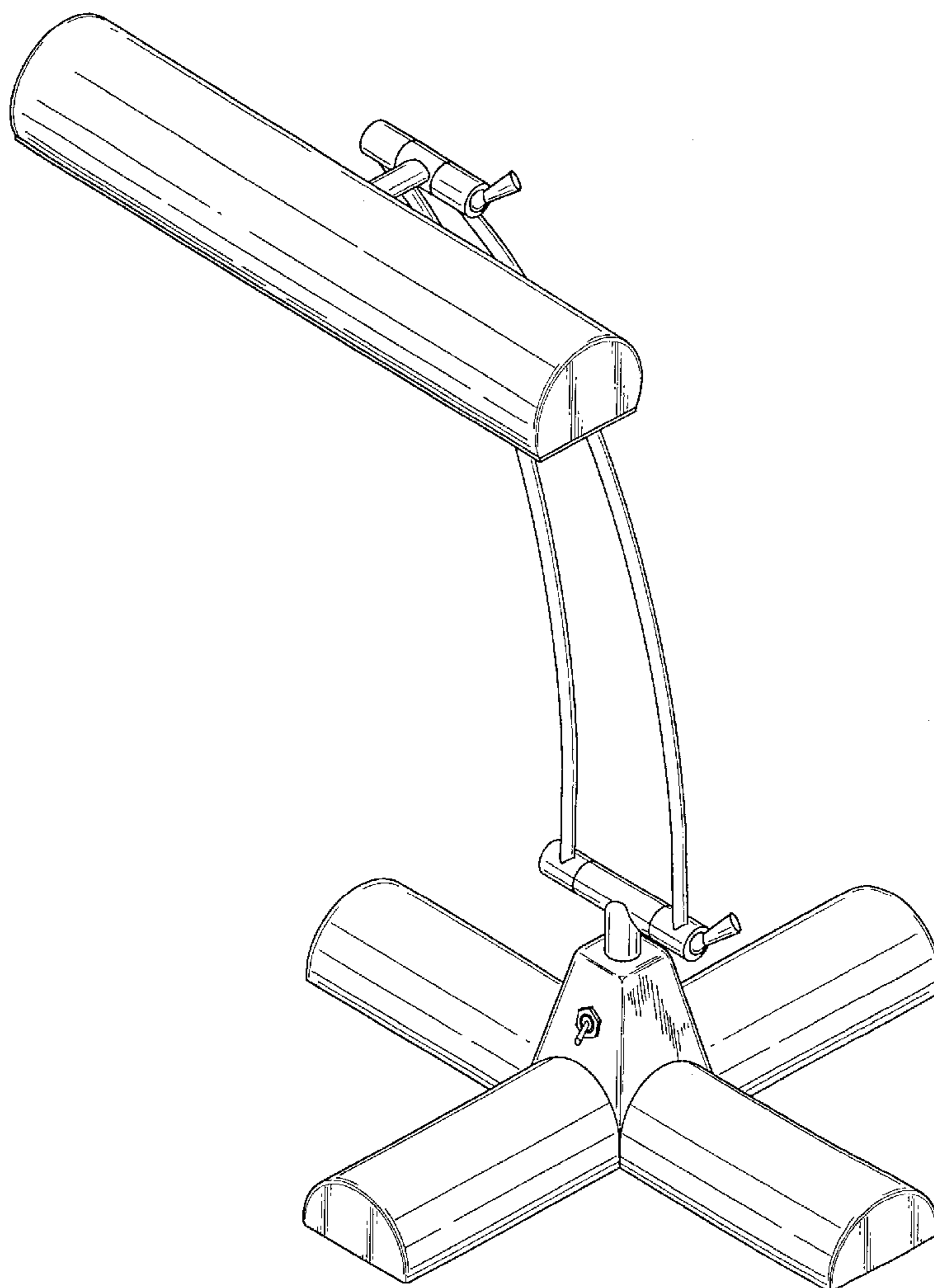
- (56) **References Cited**
- U.S. PATENT DOCUMENTS**
- D316,610 S * 4/1991 Winn D26/65
- D423,136 S * 4/2000 Hsieh D26/107
- D443,100 S * 5/2001 Wu D26/110

* cited by examiner
Primary Examiner—Alan P. Douglas
Assistant Examiner—Linda Brooks
 (74) *Attorney, Agent, or Firm*—Todd S. Parkhurst; Holland & Knight LLP

(57) **CLAIM**
 I claim the ornamental design for a lamp having x-shaped base, as shown.

DESCRIPTION
 FIG. 1 is an isometric view of the novel design for a lamp having x-shaped base.
 FIG. 2 is an elevational view showing the right side thereof.
 FIG. 3 is an elevational view showing the left side thereof.
 FIG. 4 is an elevational view showing the front side thereof.
 FIG. 5 is an elevational view showing the rear side thereof.
 FIG. 6 is a plan view showing the top aspect thereof; and, FIG. 7 is a bottom plan view thereof.
 The broken lines shown are for illustrative purposes only and form no part of the claimed design.

1 Claim, 4 Drawing Sheets



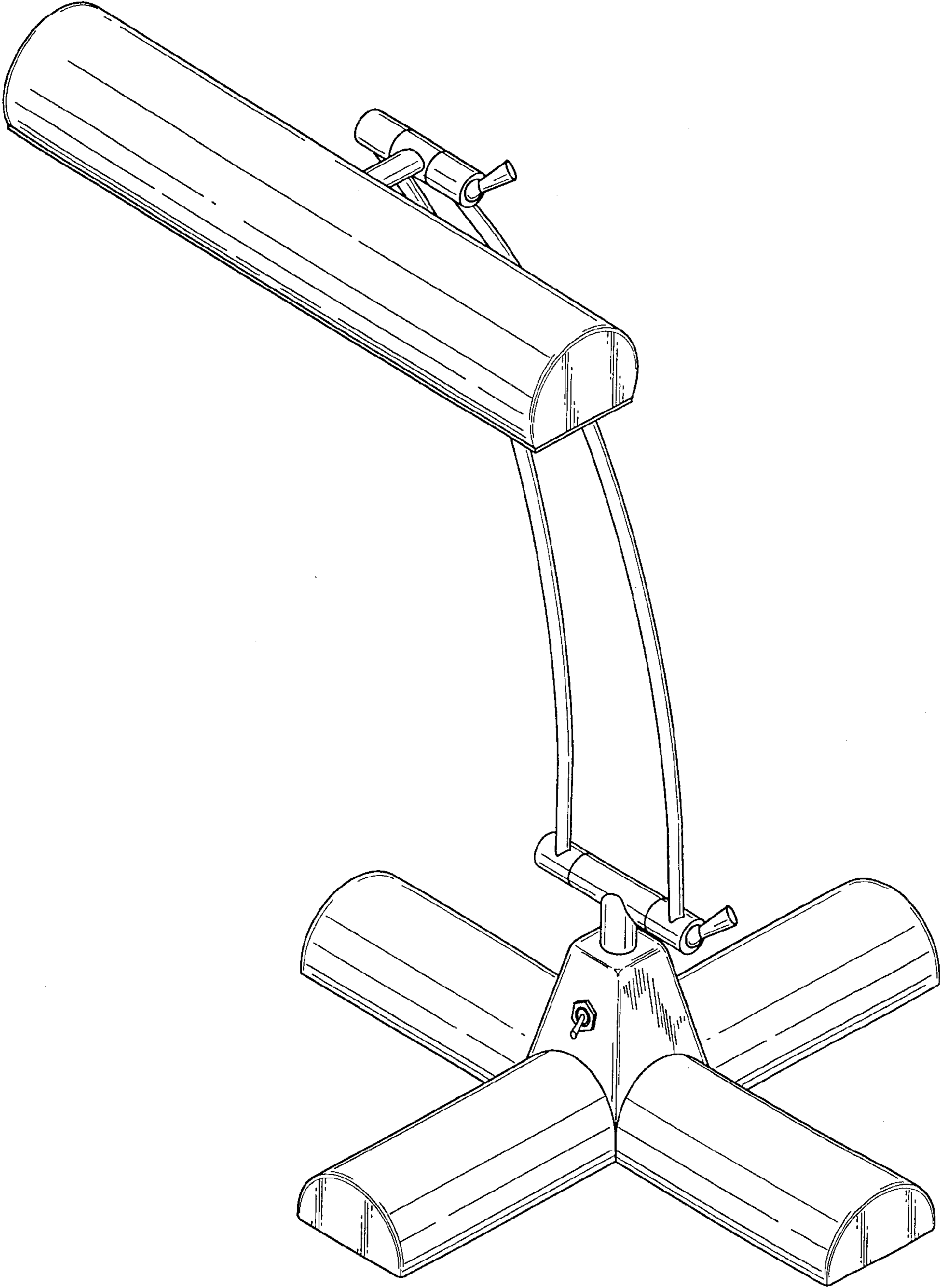


Fig. 1

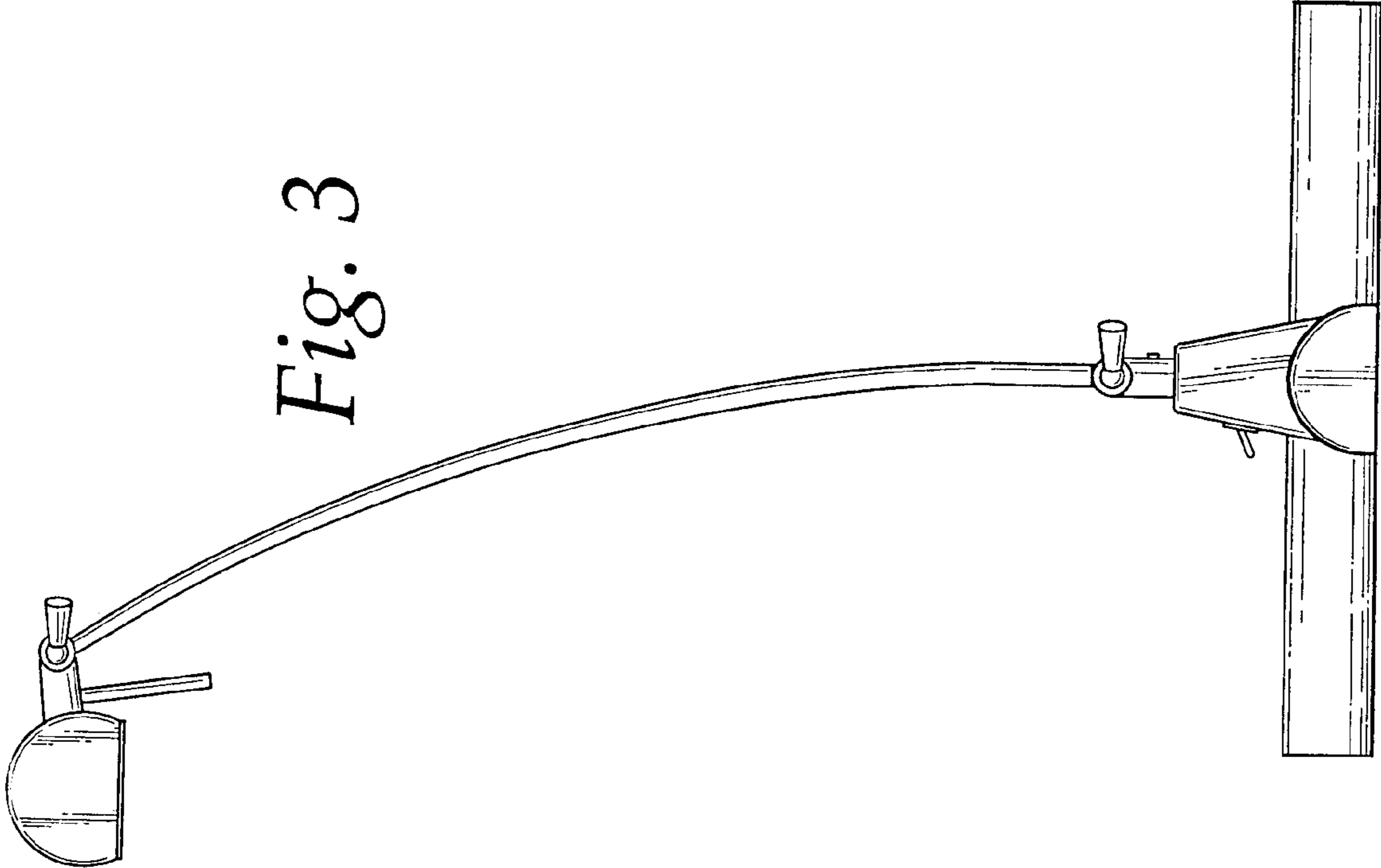


Fig. 3

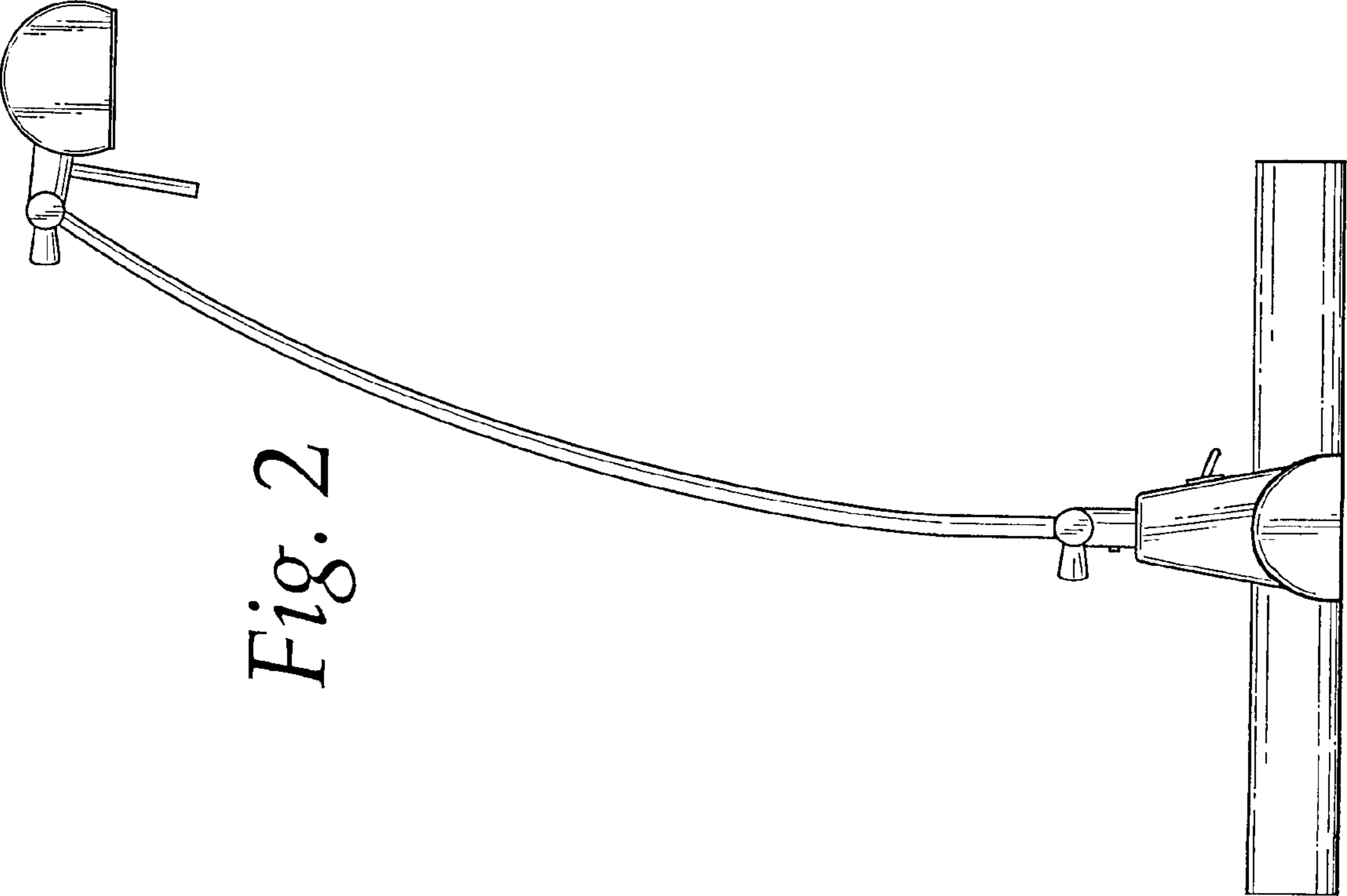
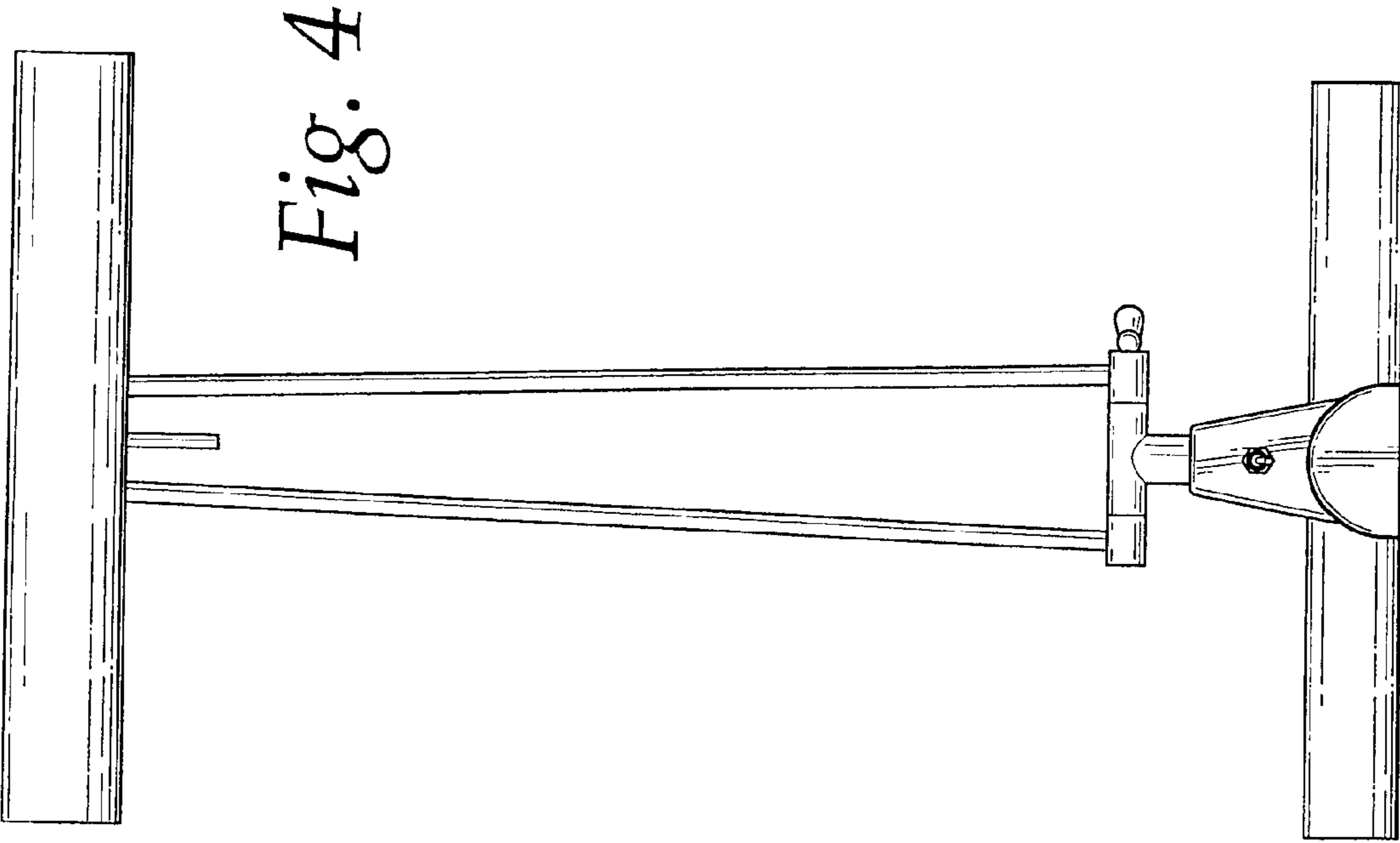
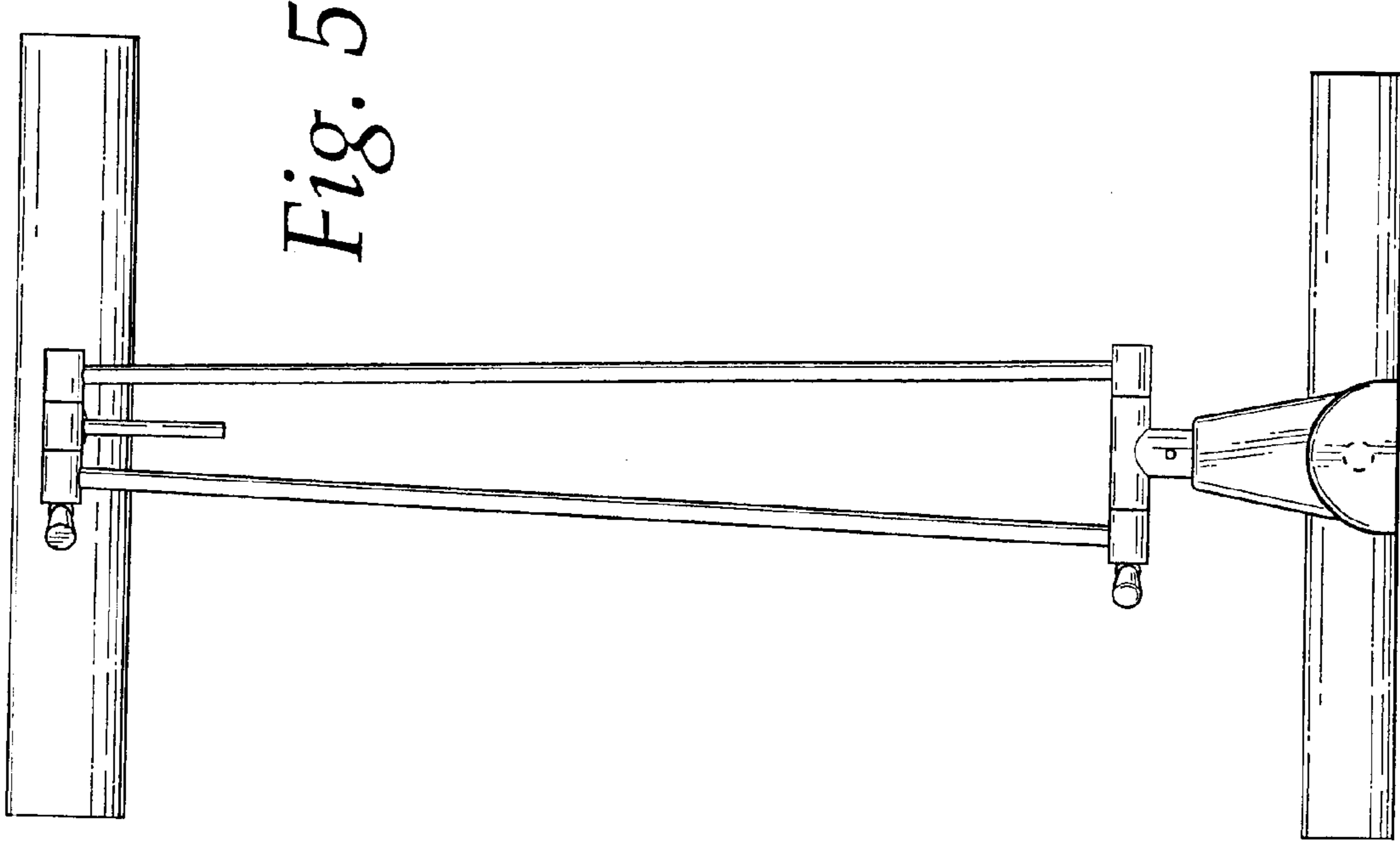


Fig. 2



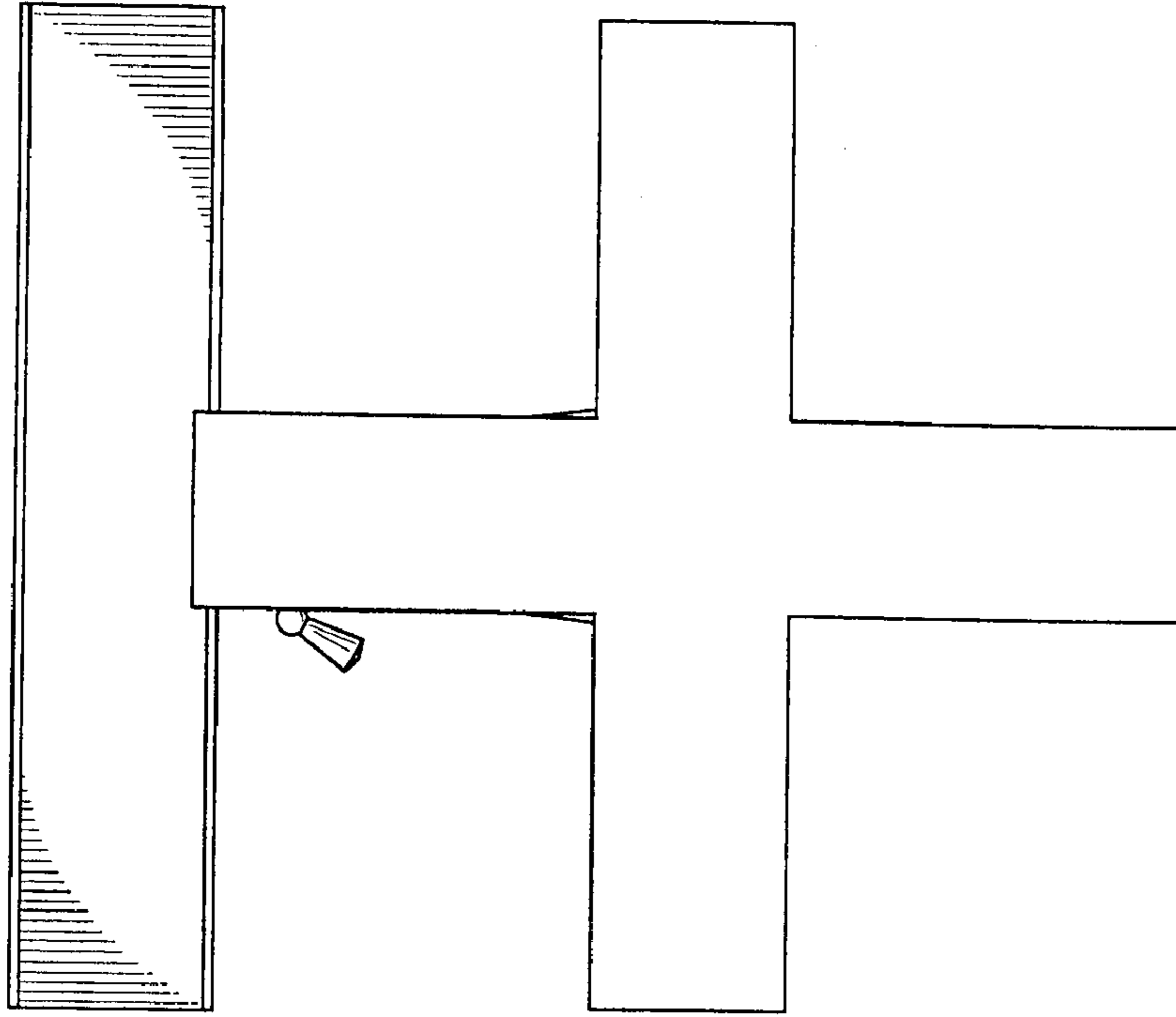


Fig. 7

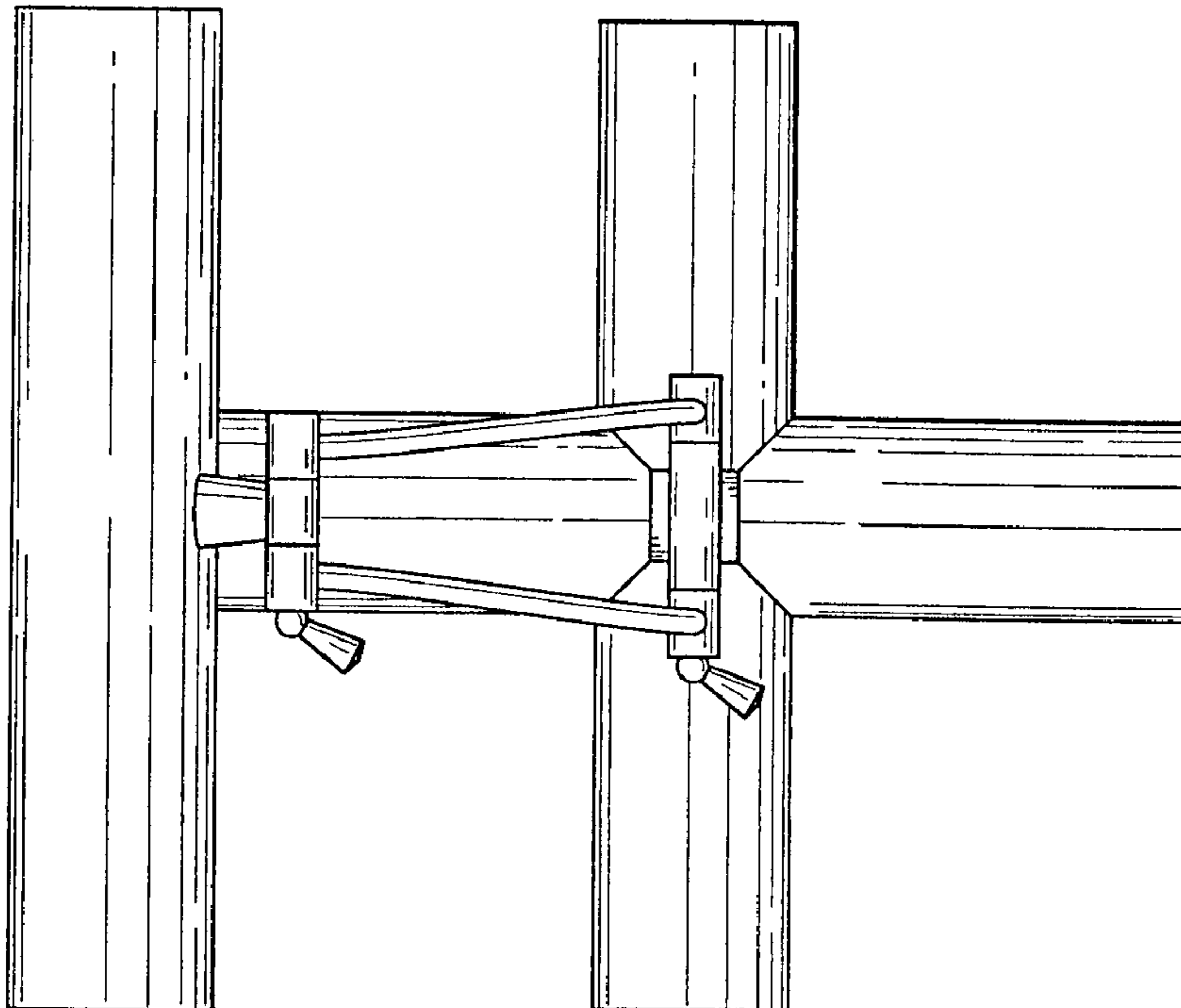


Fig. 6