



US00D513084S

(12) **United States Design Patent** (10) **Patent No.:** **US D513,084 S**
Parker et al. (45) **Date of Patent:** **** Dec. 20, 2005**

(54) **CLIP LIGHT**

(75) Inventors: **David H. Parker**, Torrance, CA (US);
Kevin Deighton, Long Beach, CA
(US); **Mac Kidakarn**, Lawndale, CA
(US)

(73) Assignee: **Pelican Products, Inc.**, Torrance, CA
(US)

(**) Term: **14 Years**

(21) Appl. No.: **29/195,999**

(22) Filed: **Dec. 18, 2003**

(51) **LOC (6) Cl.** **26-02**

(52) **U.S. Cl.** **D26/37**

(58) **Field of Search** D26/37-50; 362/157,
362/158, 171-174, 183-208

(56) **References Cited**

U.S. PATENT DOCUMENTS

D350,618 S	9/1994	Parker	
5,410,457 A	4/1995	Parker	
D383,558 S	9/1997	Parker	
5,871,272 A	2/1999	Sharrah et al.	
D449,394 S	* 10/2001	Parker	D26/37
6,523,972 B2	2/2003	Sharrah et al.	
D498,864 S	* 11/2004	Lee	D26/37
2003/0112624 A1	6/2003	Quittner	

* cited by examiner

Primary Examiner—Marcus A. Jackson

(74) *Attorney, Agent, or Firm*—Charles Berman; Greenberg
Traurig LLP

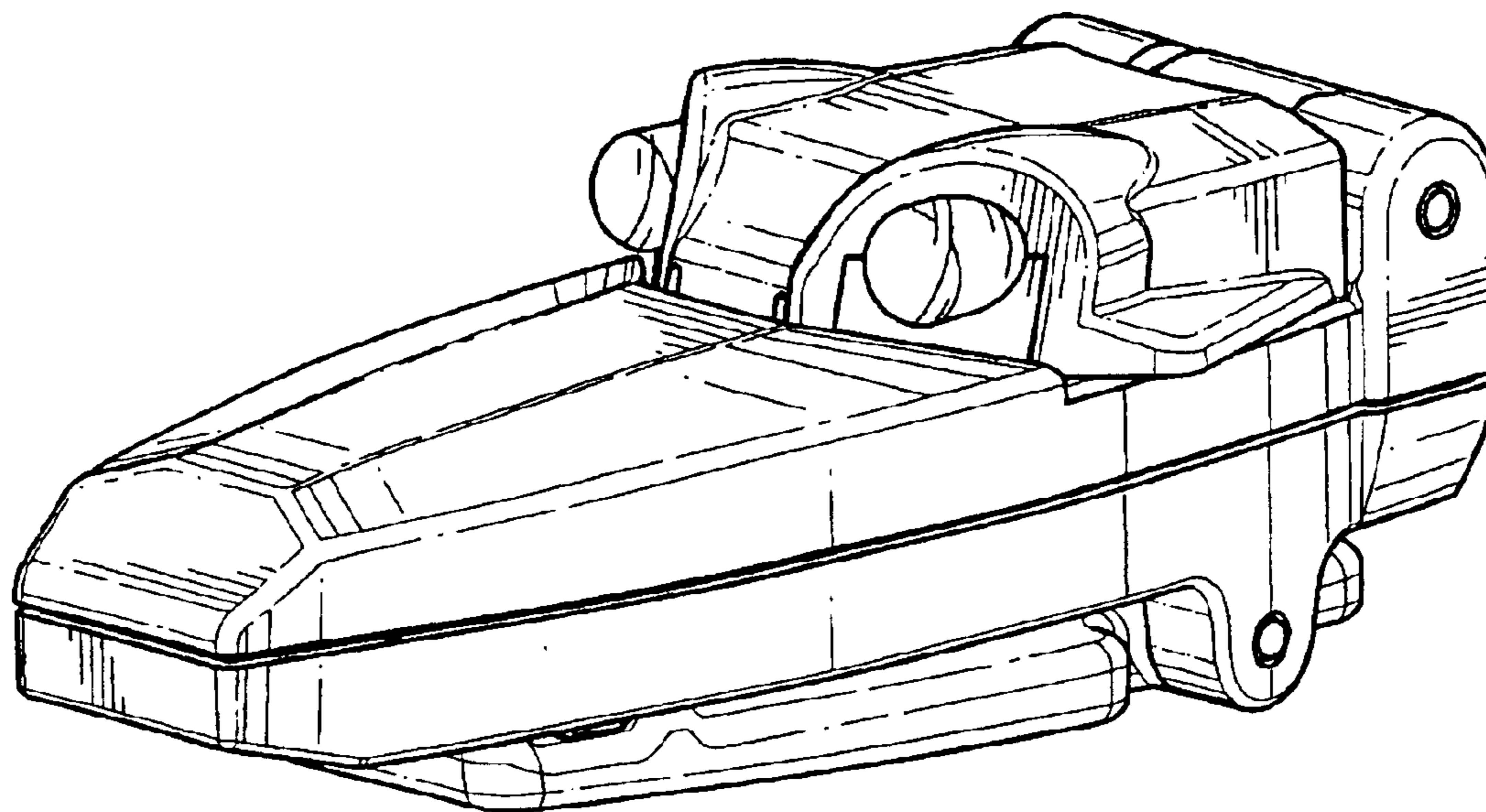
(57) **CLAIM**

The ornamental design for a clip light, as shown and
described.

DESCRIPTION

FIG. 1 is a perspective front oblique view of a clip light.
 FIG. 2 is a side view of the clip light.
 FIG. 3 is a top view of the clip light.
 FIG. 4 is a bottom view of the clip light.
 FIG. 5 is a front view of the clip light.
 FIG. 6 is a rear view of the clip light.
 FIG. 7 is a perspective front oblique view of a first alterna-
 tive embodiment of the clip light.
 FIG. 8 is a side view of a first alternative embodiment of the
 clip light.
 FIG. 9 is a perspective front oblique view of a second
 alternative embodiment of the clip light.
 FIG. 10 is a side view of a second alternative embodiment
 of the clip light.
 FIG. 11 is a perspective front oblique view of a third
 alternative embodiment of the clip light.
 FIG. 12 is a side view of a third alternative embodiment of
 the clip light.
 FIG. 13 is a perspective front oblique view of a fourth
 alternative embodiment of the clip light; and,
 FIG. 14 is a side view of a fourth alternative embodiment of
 the clip light.

1 Claim, 7 Drawing Sheets



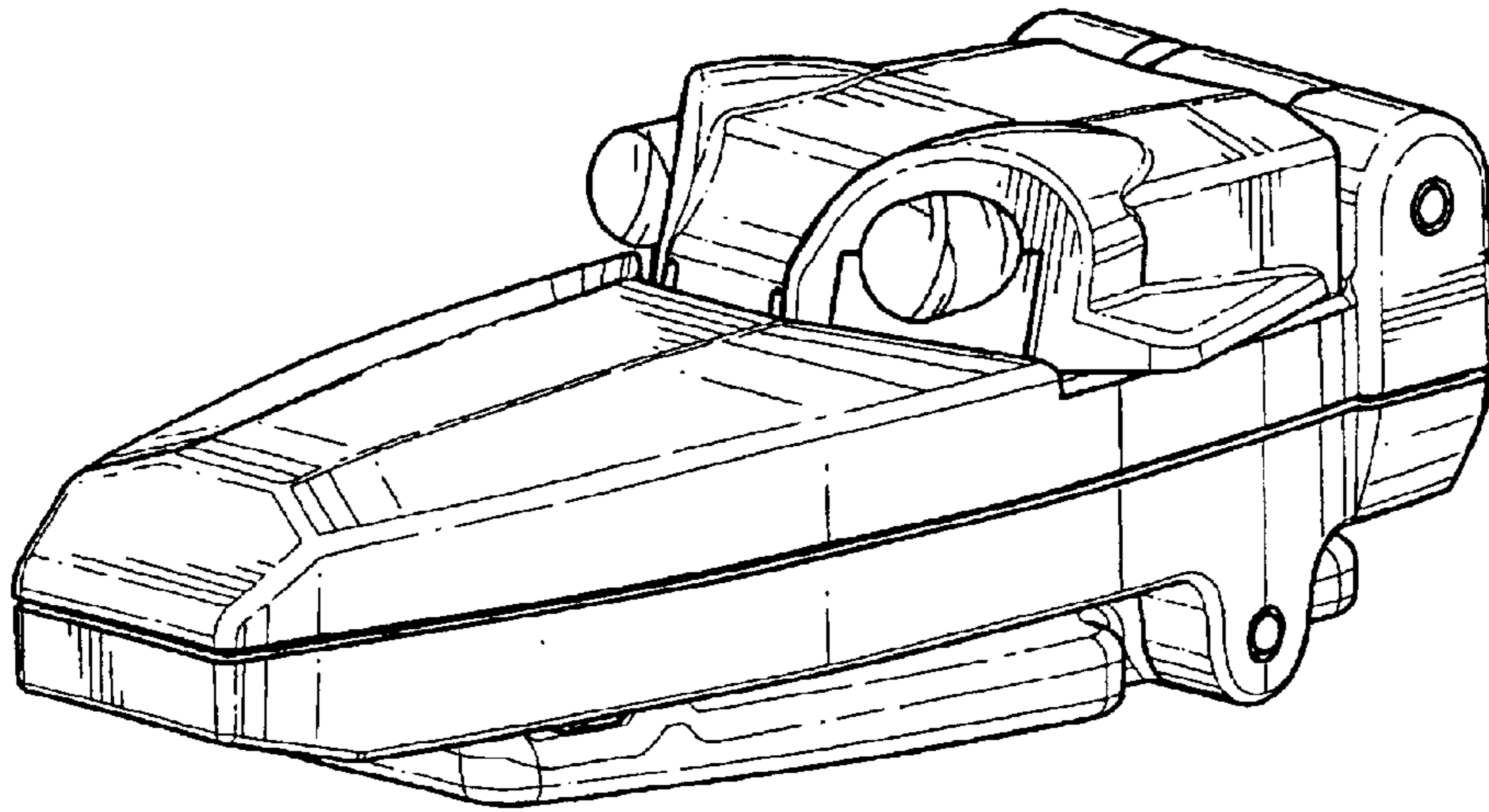


FIG. 1

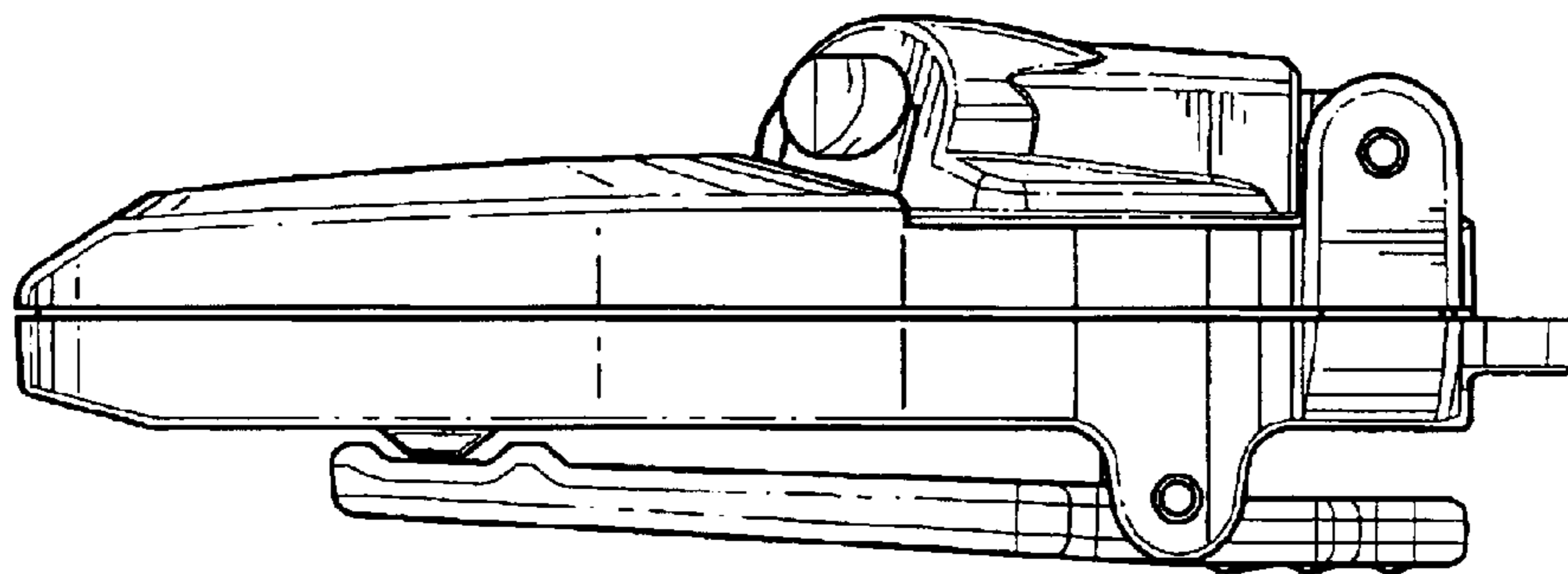


FIG. 2

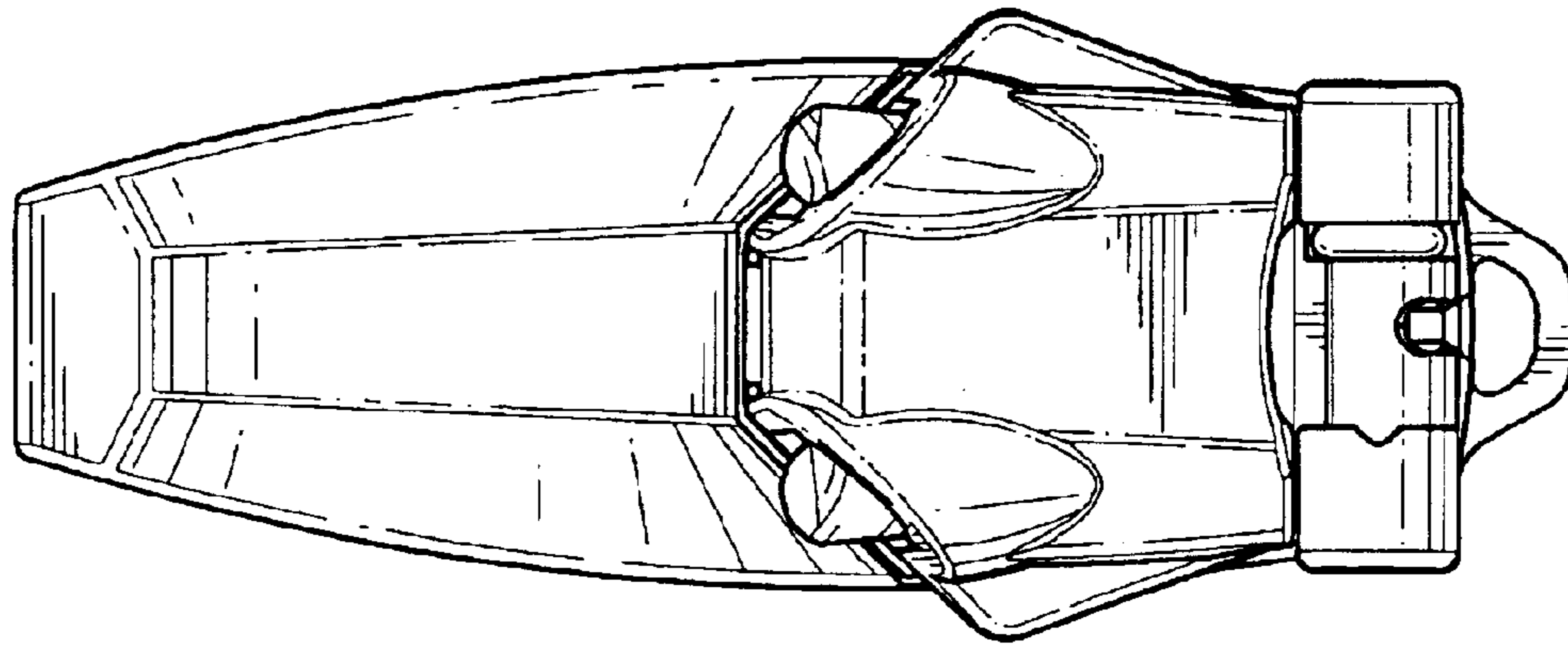


FIG. 3

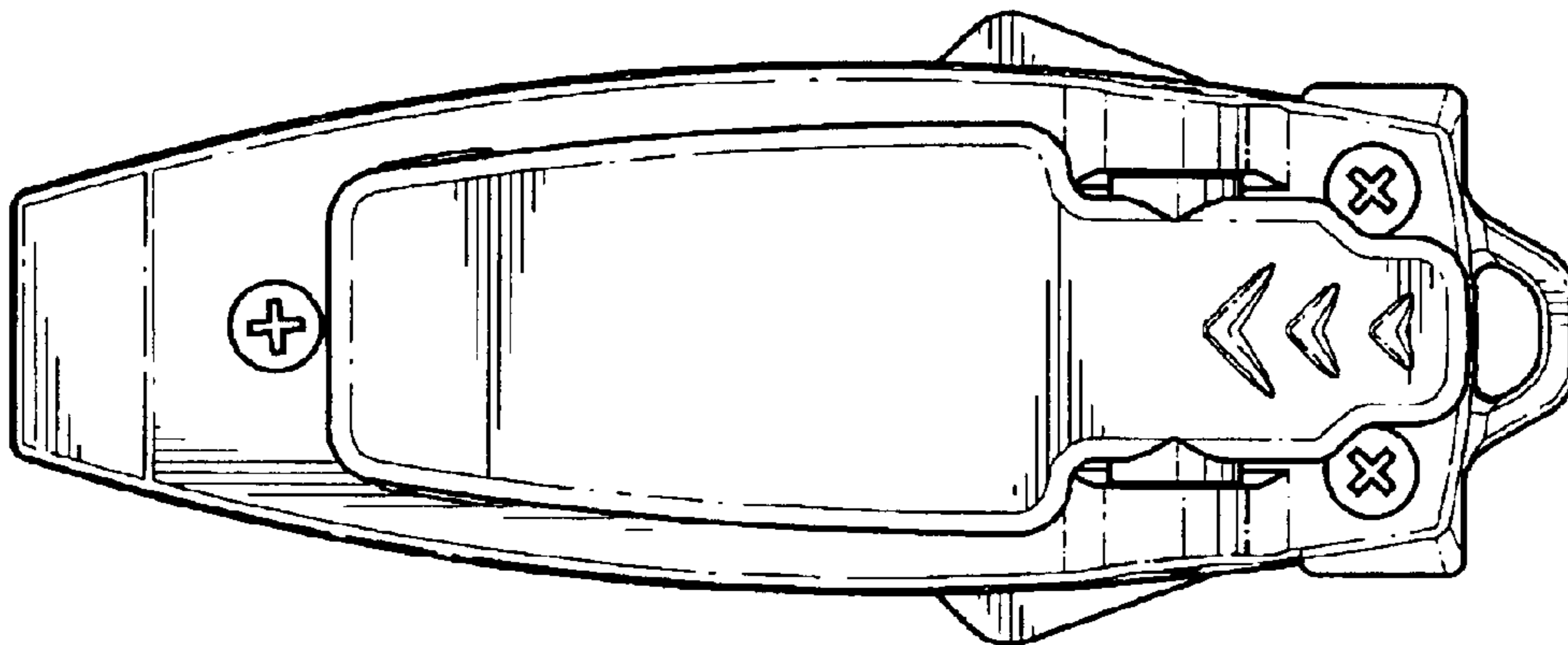


FIG. 4

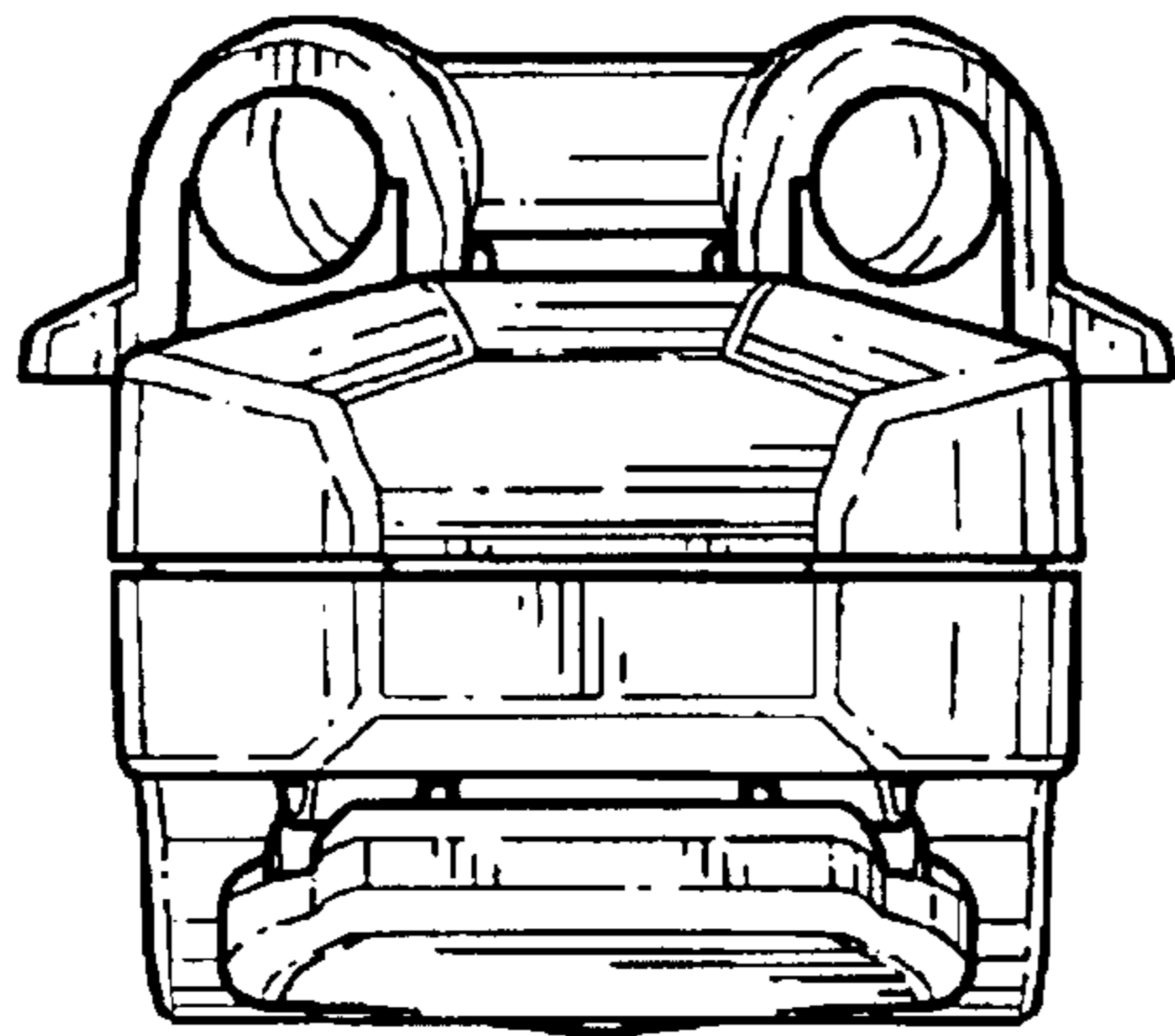


FIG. 5

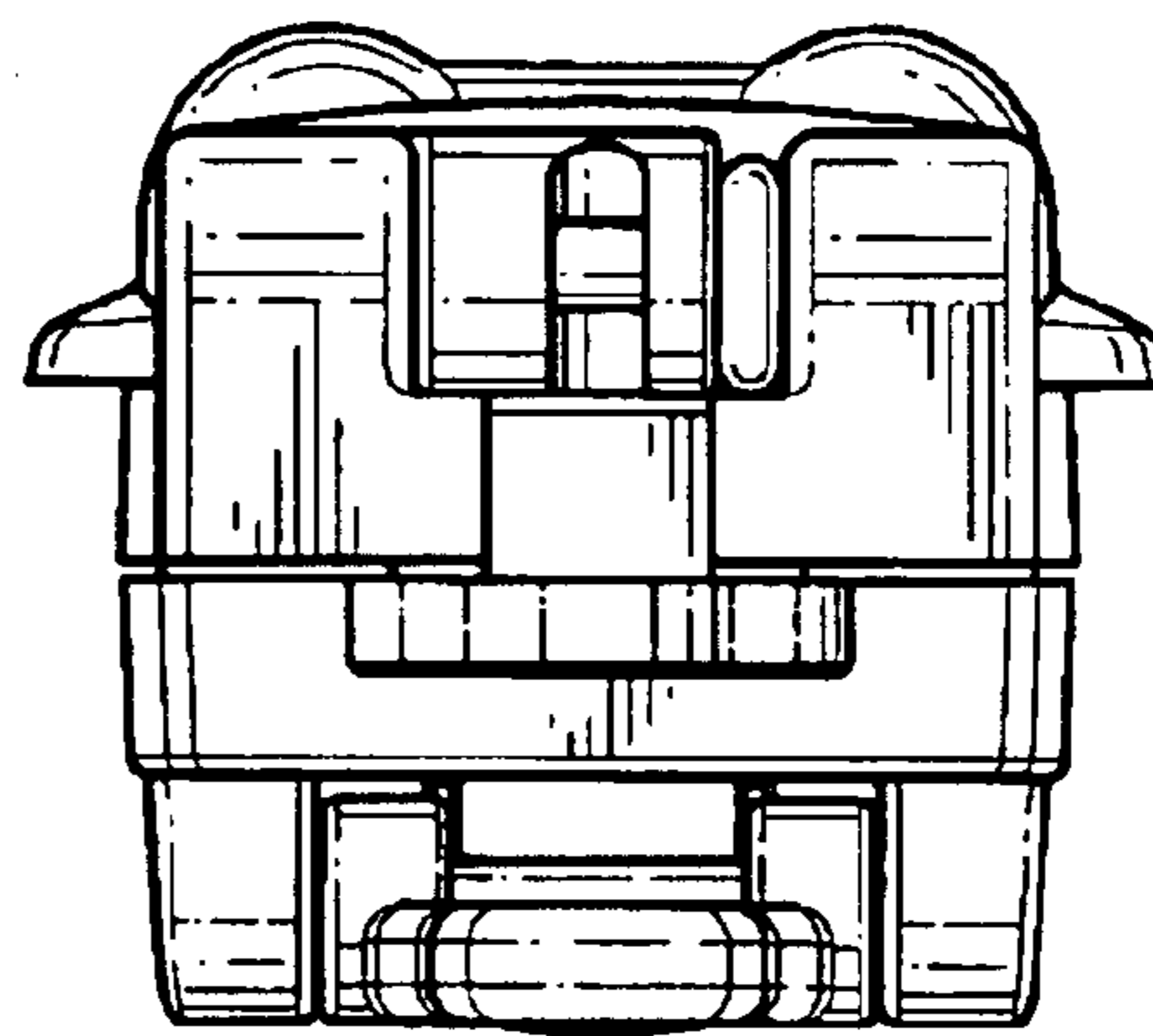


FIG. 6

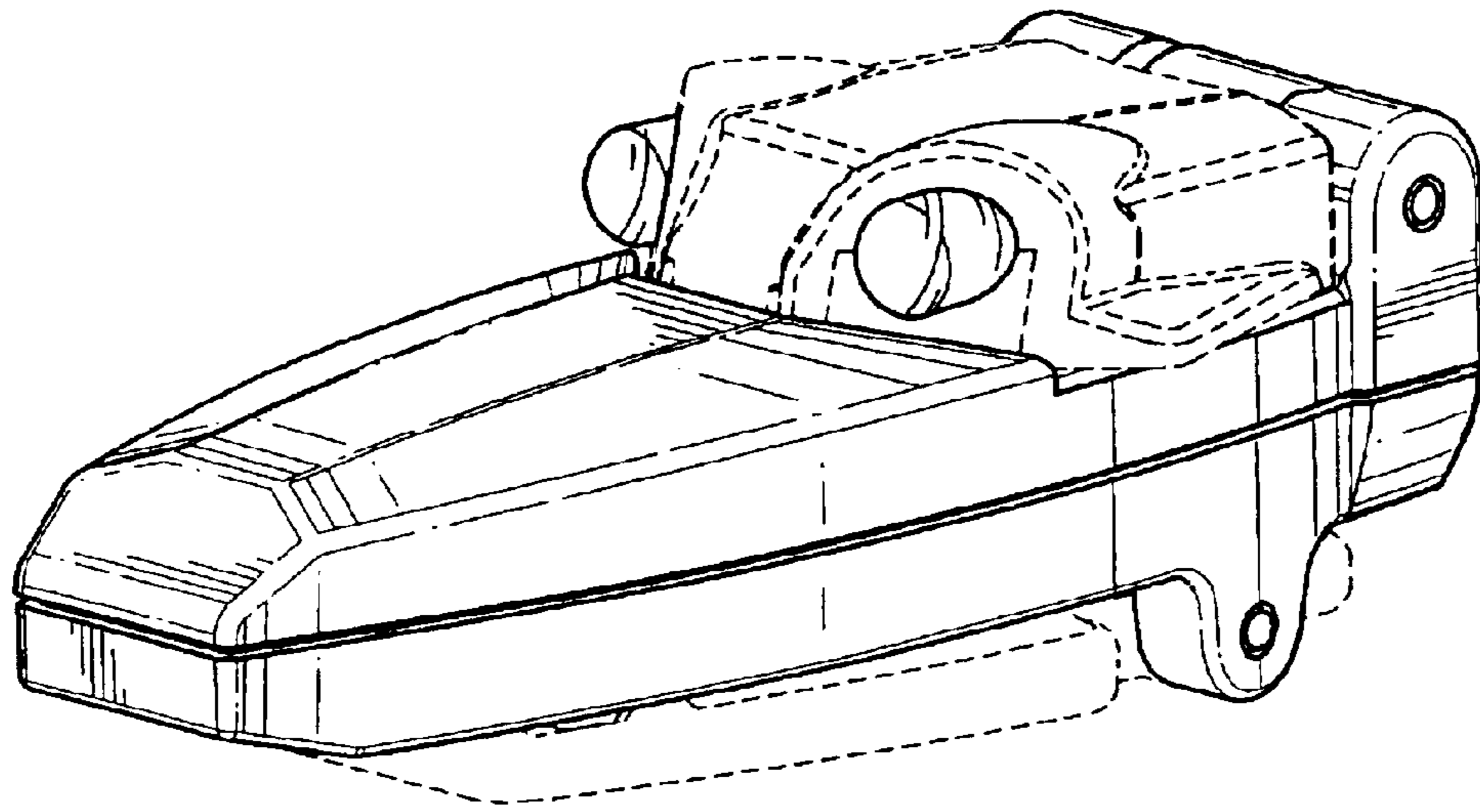


FIG. 7

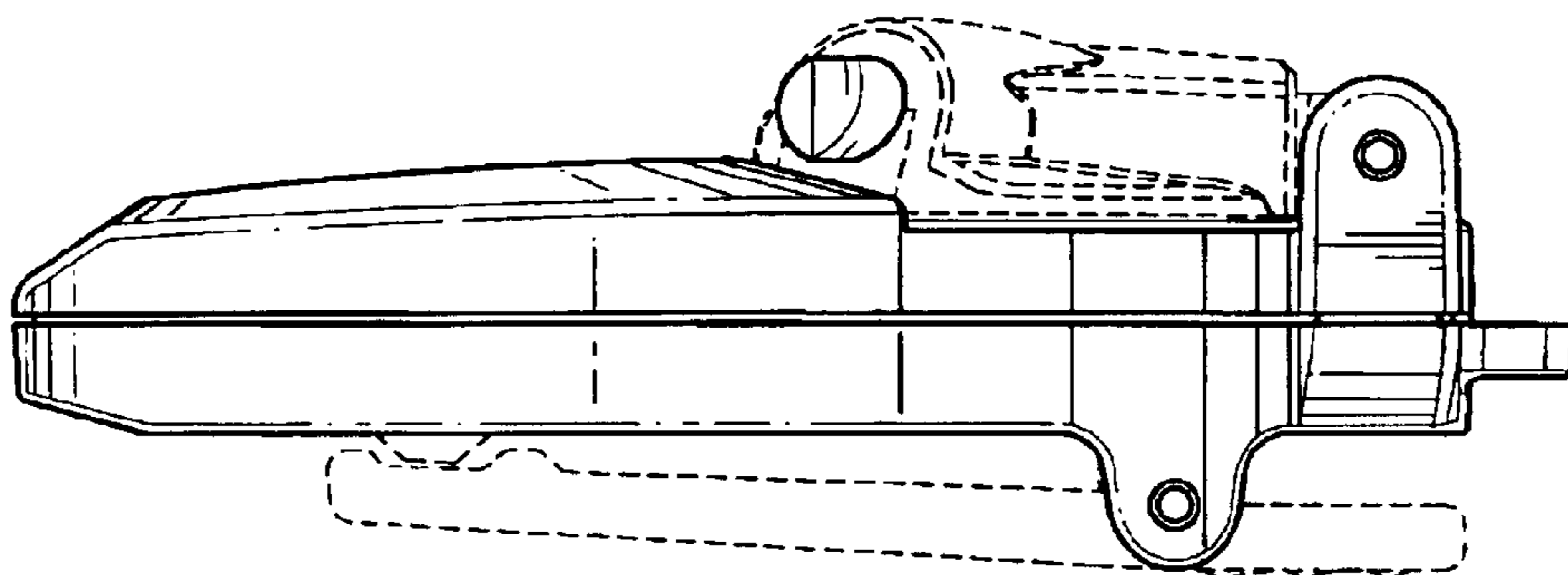


FIG. 8

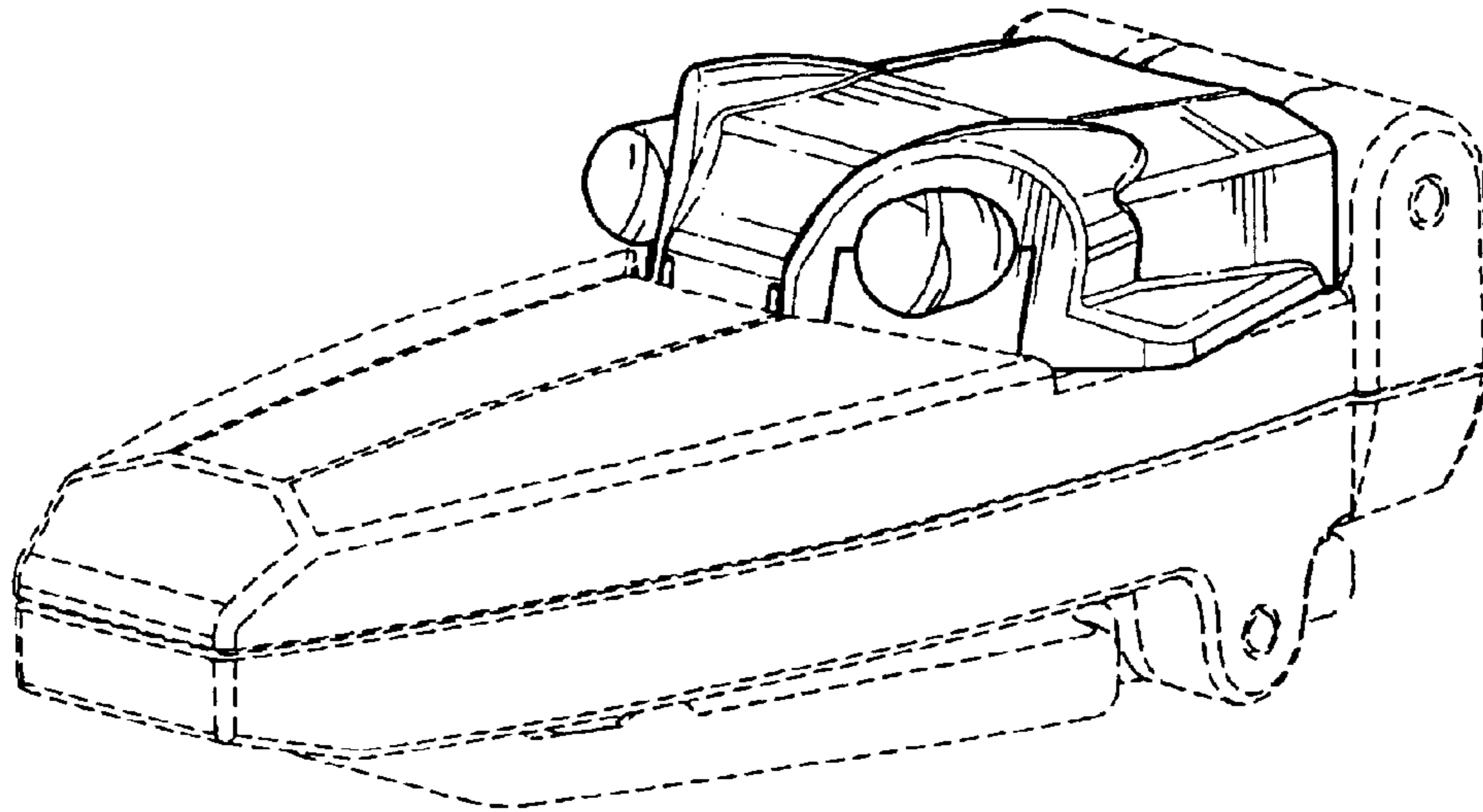


FIG. 9

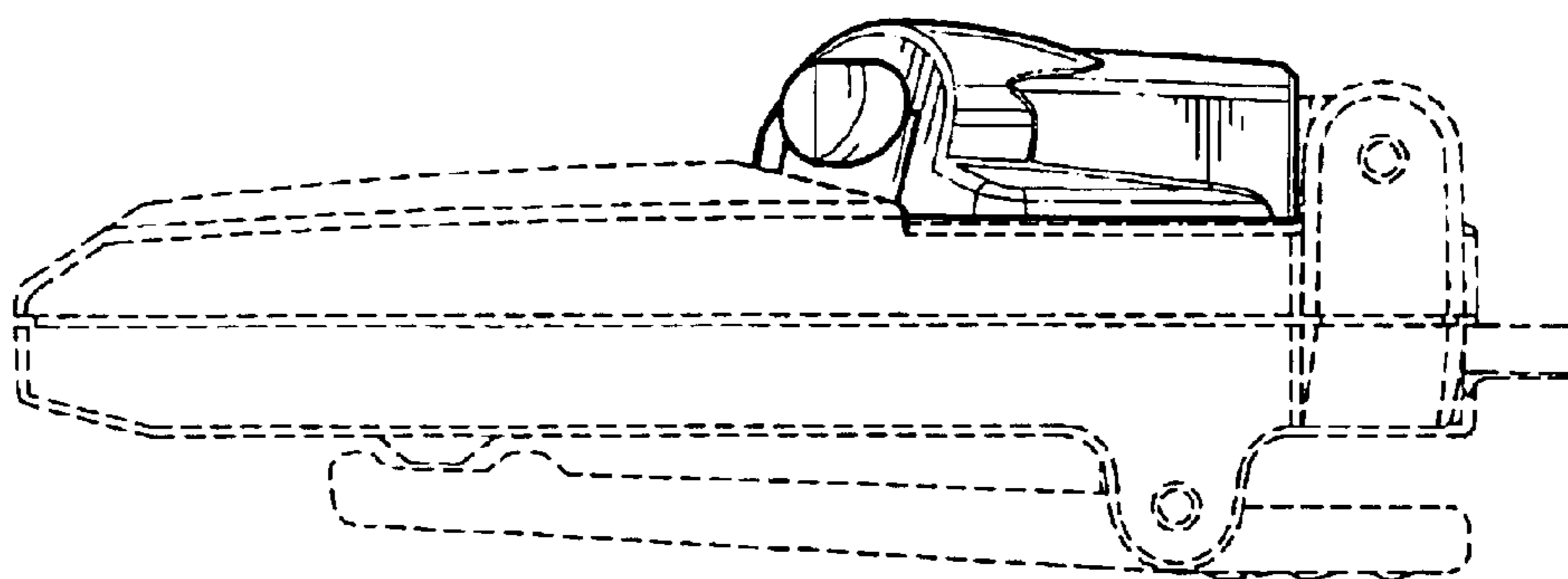


FIG. 10

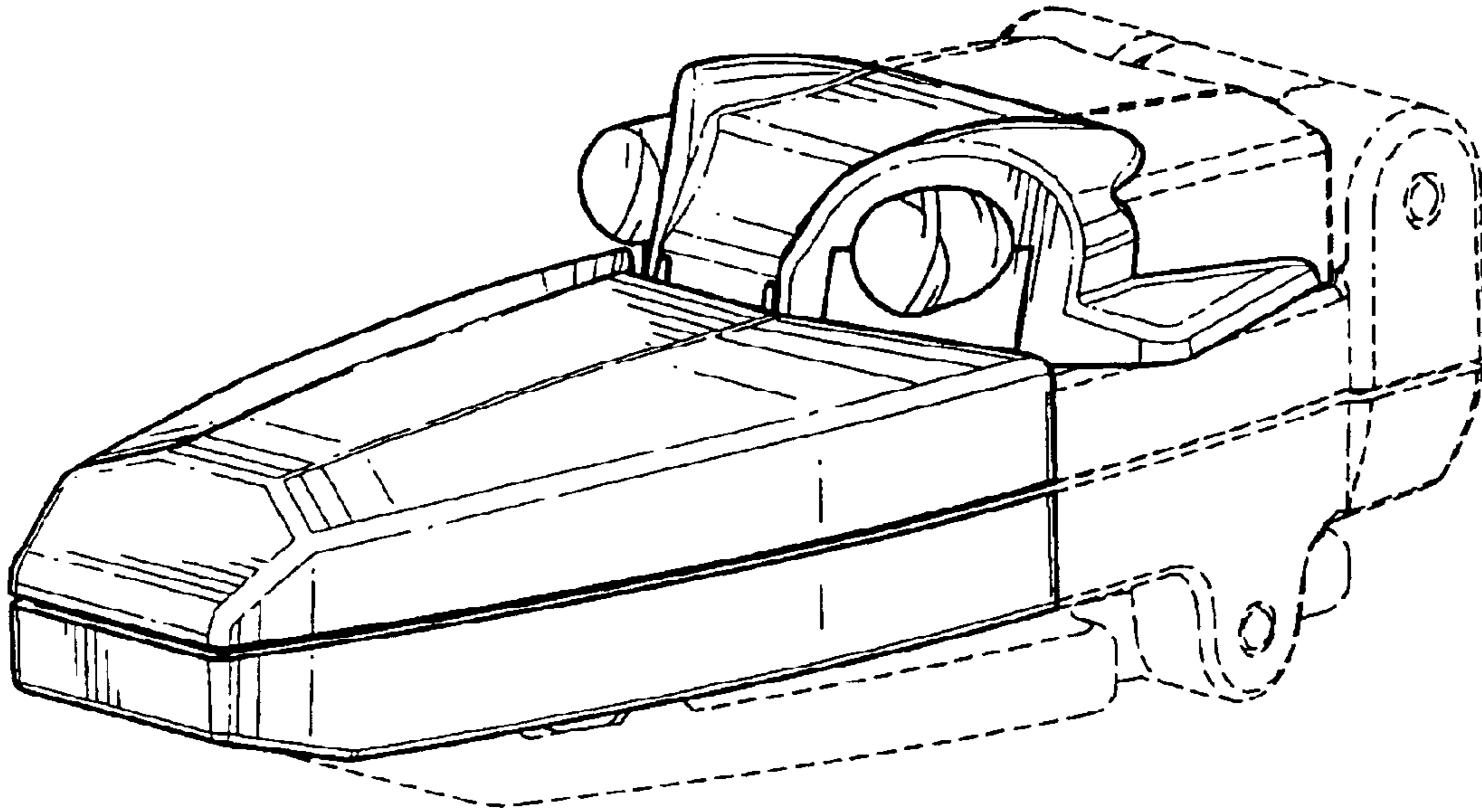


FIG. 11

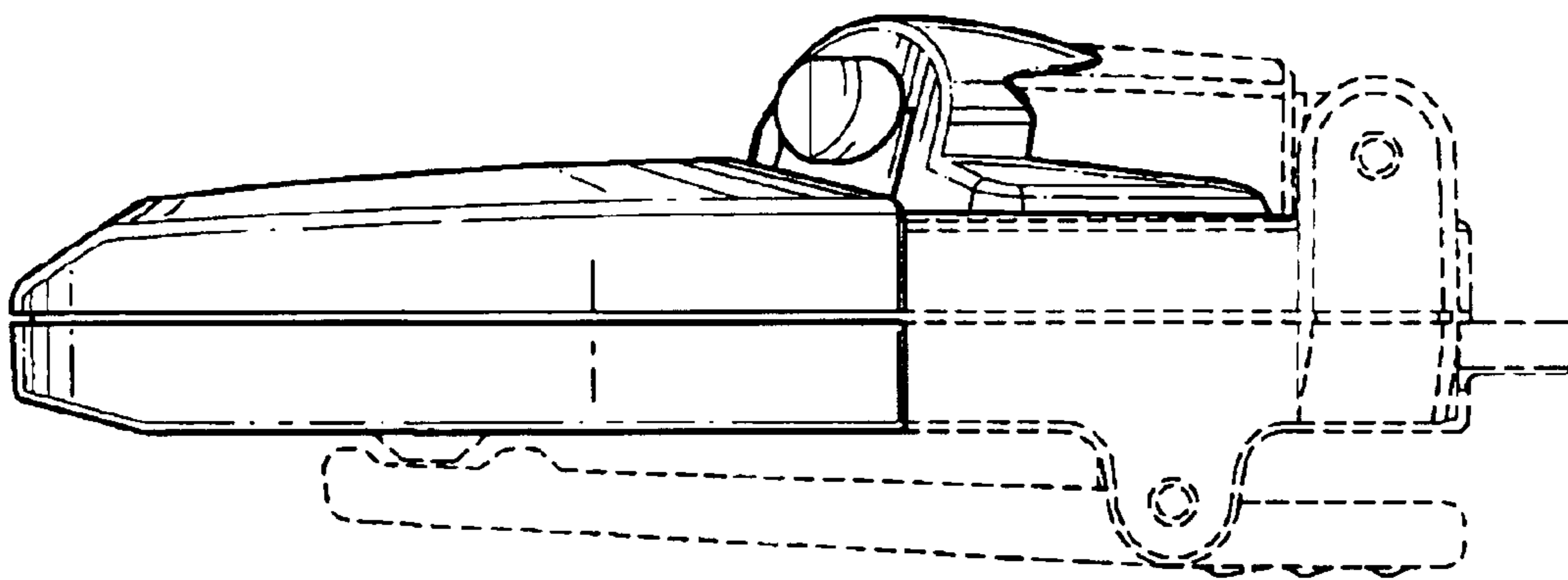


FIG. 12

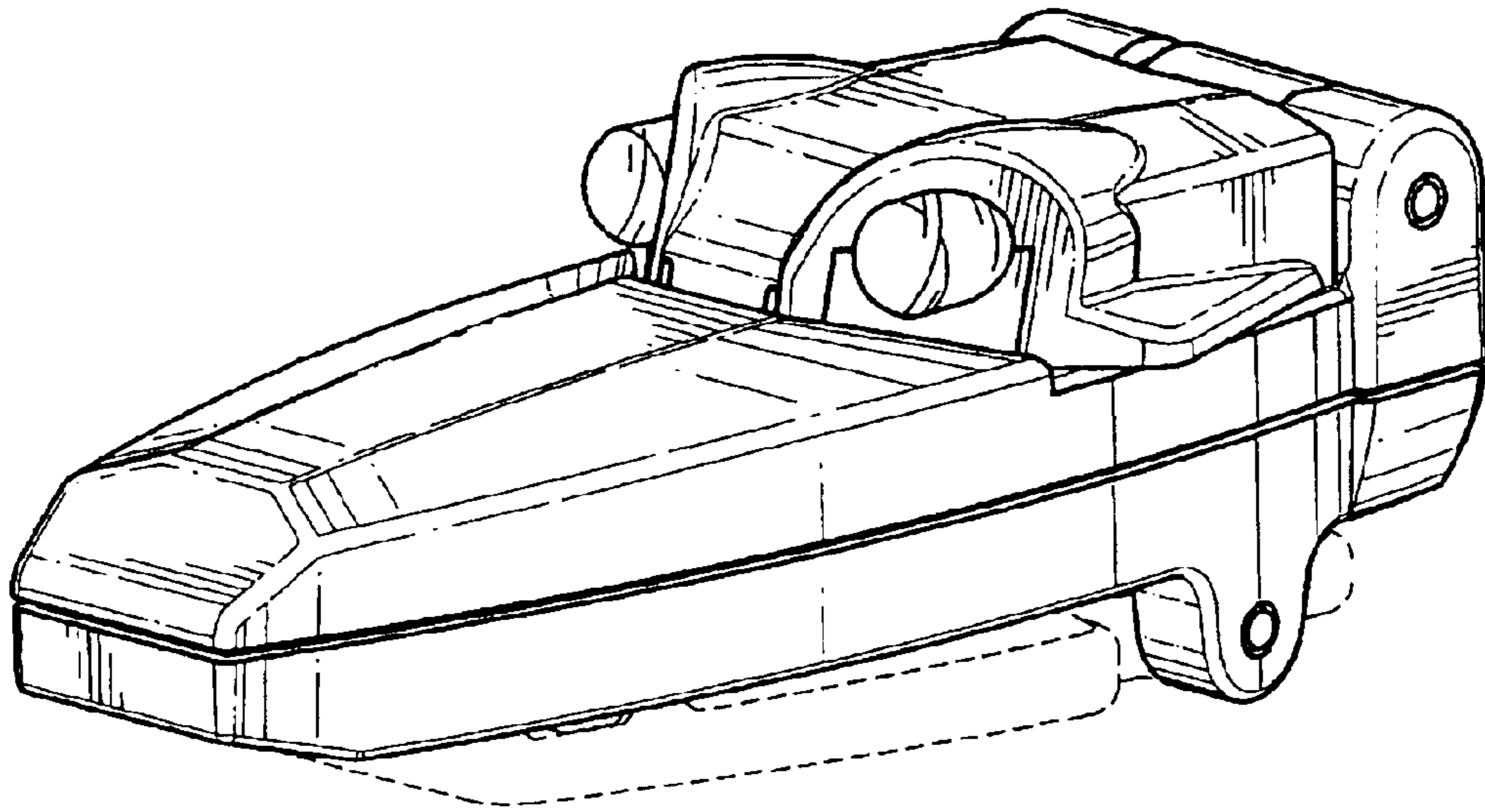


FIG. 13

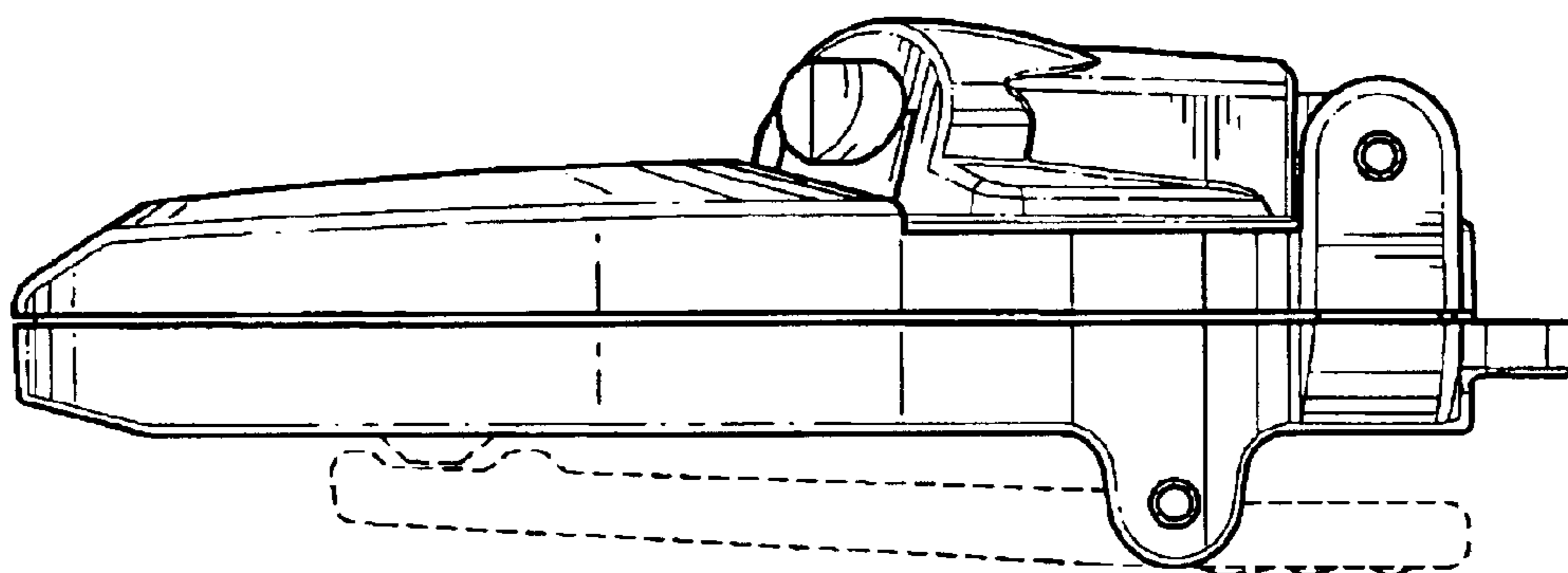


FIG. 14