



US00D513083S

(12) **United States Design Patent**
Okuda et al.

(10) **Patent No.:** **US D513,083 S**

(45) **Date of Patent:** **** Dec. 20, 2005**

(54) **HEADLAMP FOR A BICYCLE**

D497,444 S * 10/2004 Okuda et al. D26/28
D498,550 S * 11/2004 Chen D26/28

(75) Inventors: **Yoji Okuda**, Tondabayashi (JP);
Toshiyuki Nagano, Takarazuka (JP)

* cited by examiner

(73) Assignee: **Cat Eye Co., Ltd.**, Osaka (JP)

Primary Examiner—Marcus A. Jackson
(74) *Attorney, Agent, or Firm*—Olson & Hierl, Ltd.

(**) Term: **14 Years**

(57) **CLAIM**

(21) Appl. No.: **29/190,574**

The ornamental design for a headlamp for a bicycle, as shown.

(22) Filed: **Sep. 23, 2003**

(30) **Foreign Application Priority Data**

Mar. 28, 2003 (JP) 2003-008466

(51) **LOC (6) Cl.** **26-06**

(52) **U.S. Cl.** **D26/28**

(58) **Field of Search** D26/28-36; 362/61,
362/80, 81, 82, 83, 83.4, 267, 269, 275,
330-340

DESCRIPTION

FIG. 1 is a front view of a headlamp for a bicycle showing our new design;
FIG. 2 is a rear view thereof;
FIG. 3 is a top plan view thereof;
FIG. 4 is a bottom plan view thereof;
FIG. 5 is a right side view thereof;
FIG. 6 is a left side view thereof;
FIG. 7 is a view showing front, left and top sides thereof;
and,
FIG. 8 is a view showing front, bottom and left sides thereof.

(56) **References Cited**

U.S. PATENT DOCUMENTS

D497,443 S * 10/2004 Okuda et al. D26/28

1 Claim, 3 Drawing Sheets

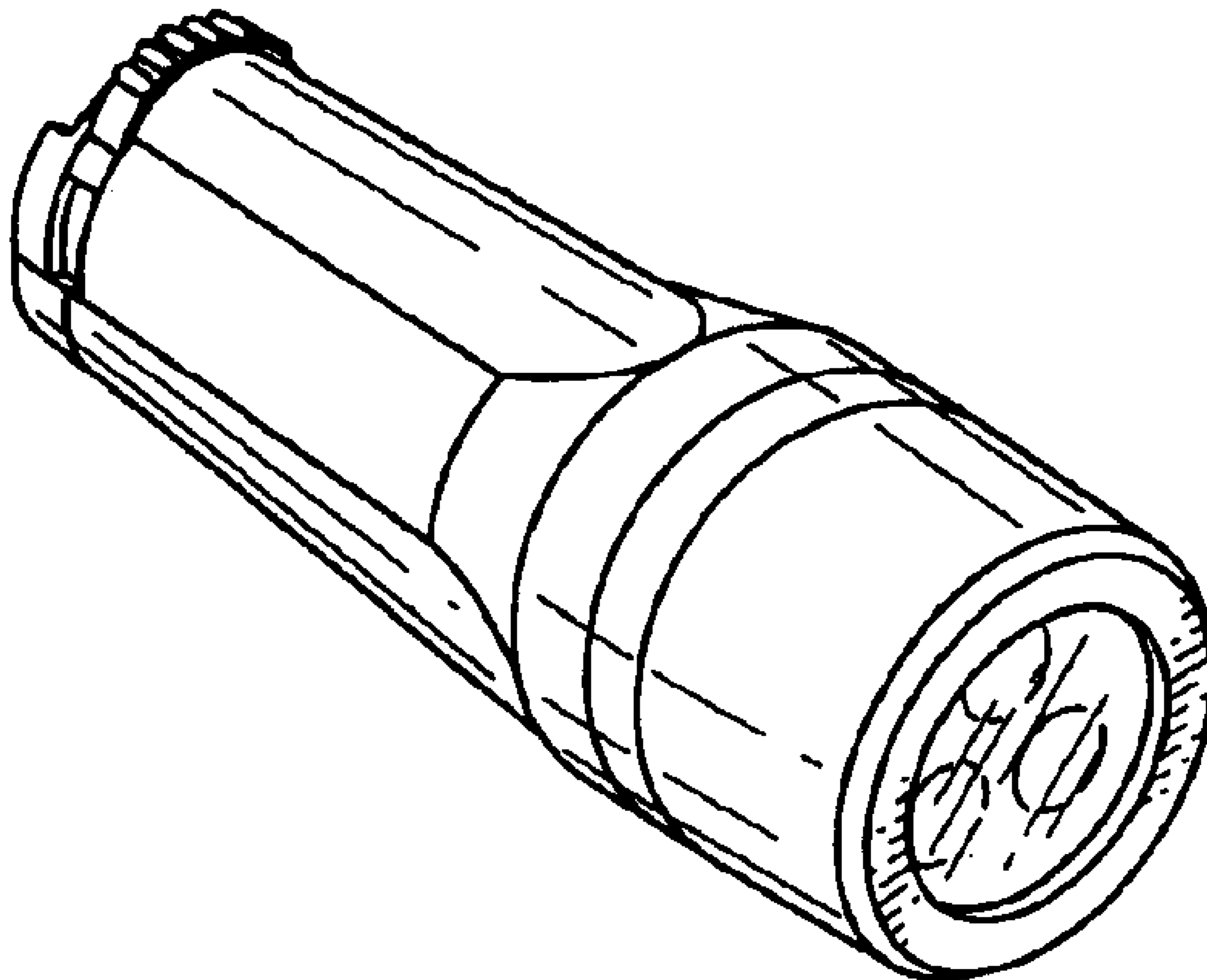


FIG. 1

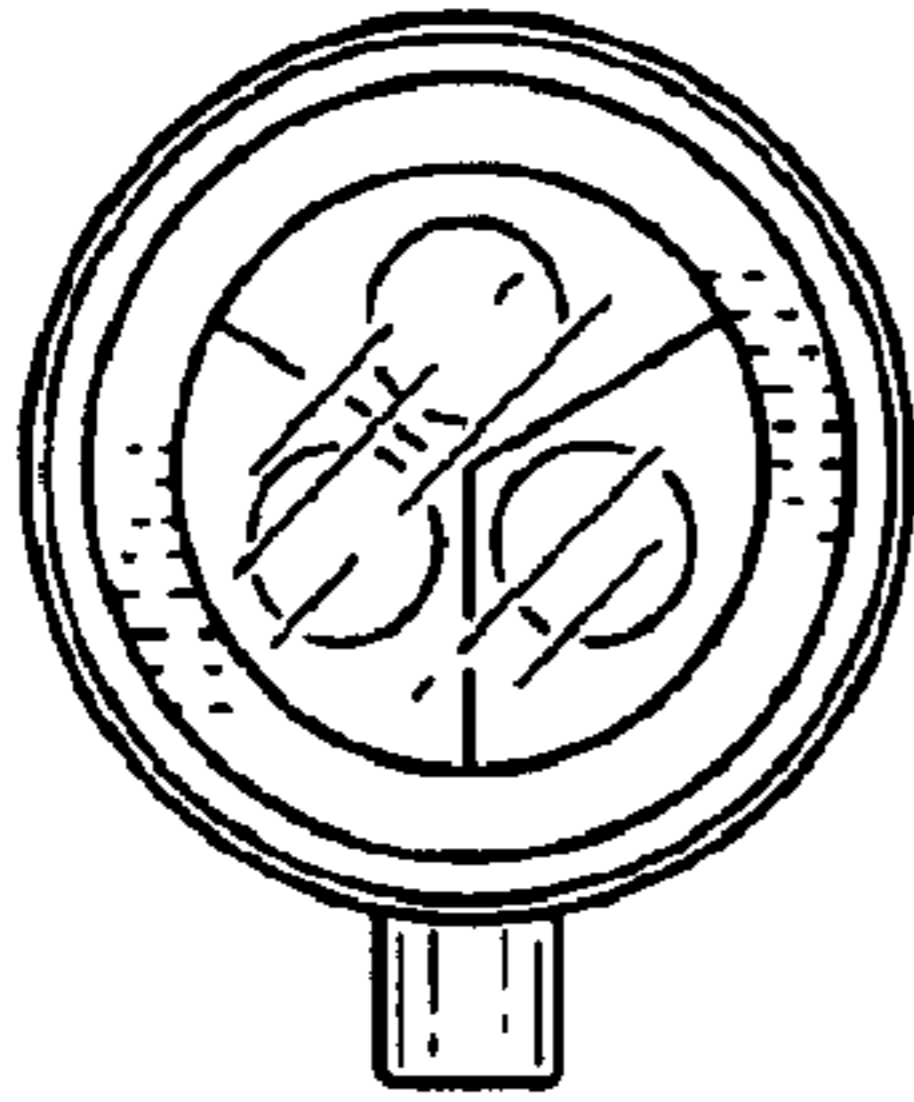


FIG. 2

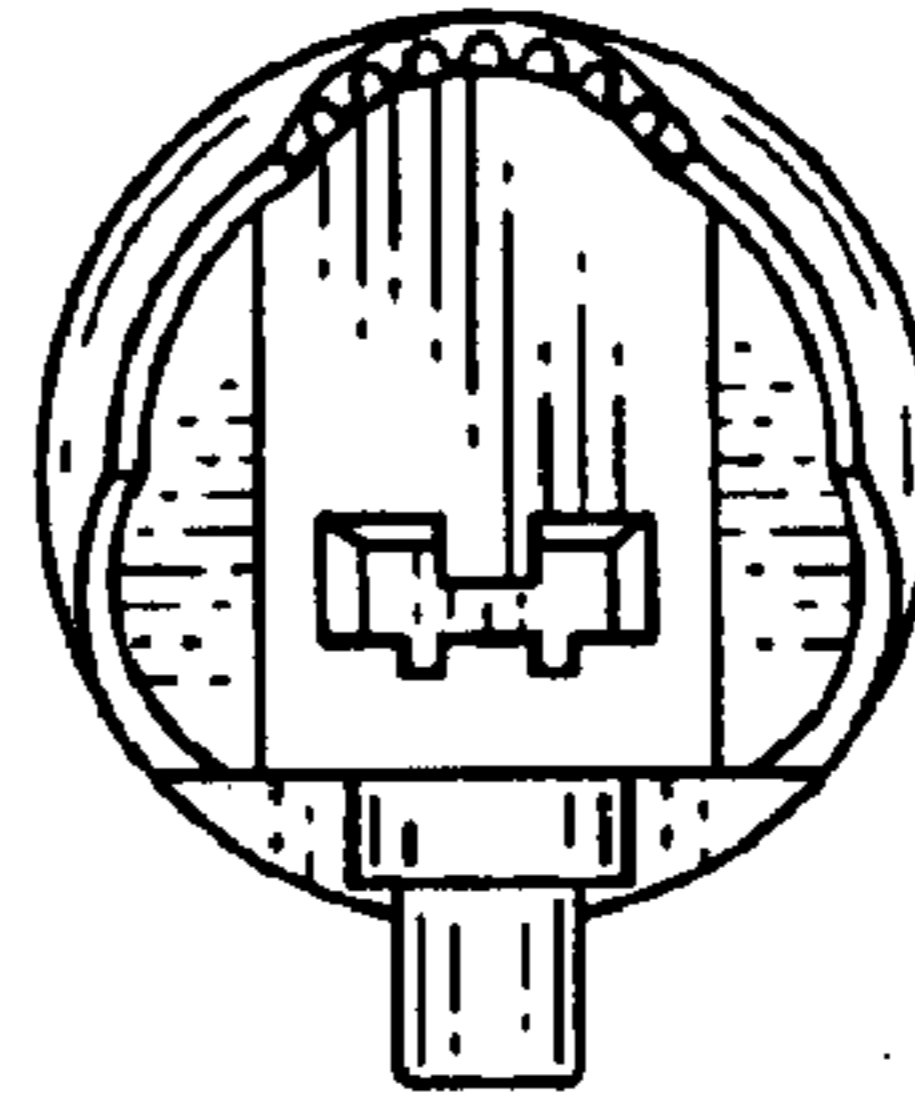


FIG. 3

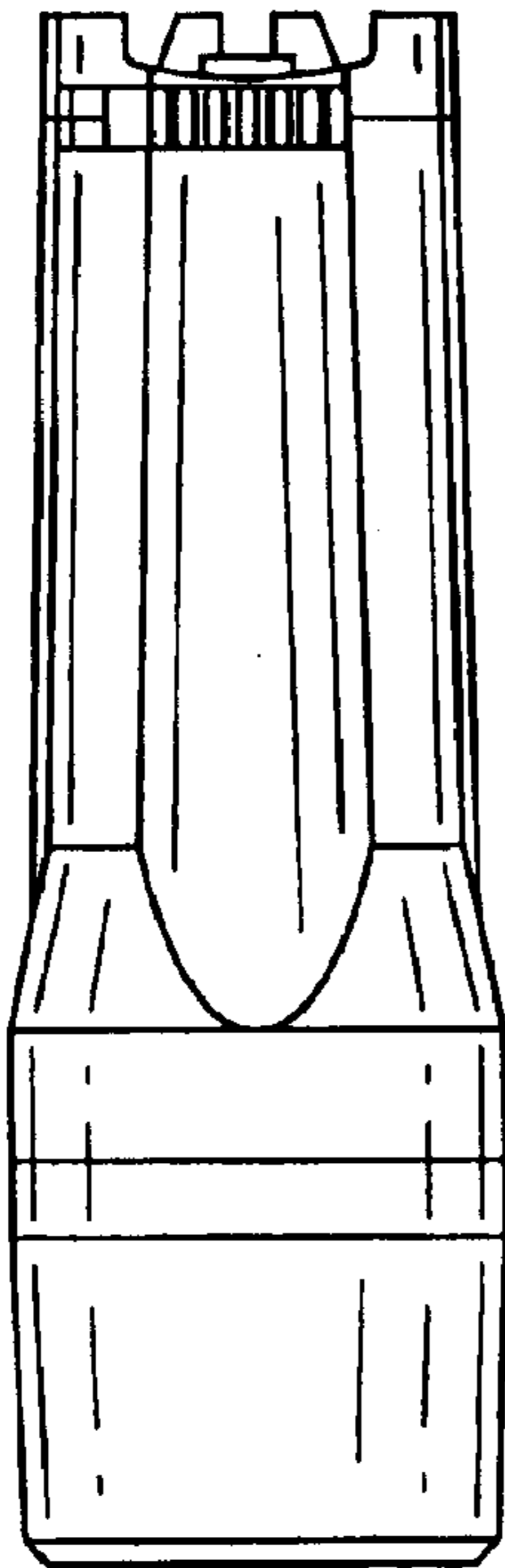


FIG. 4

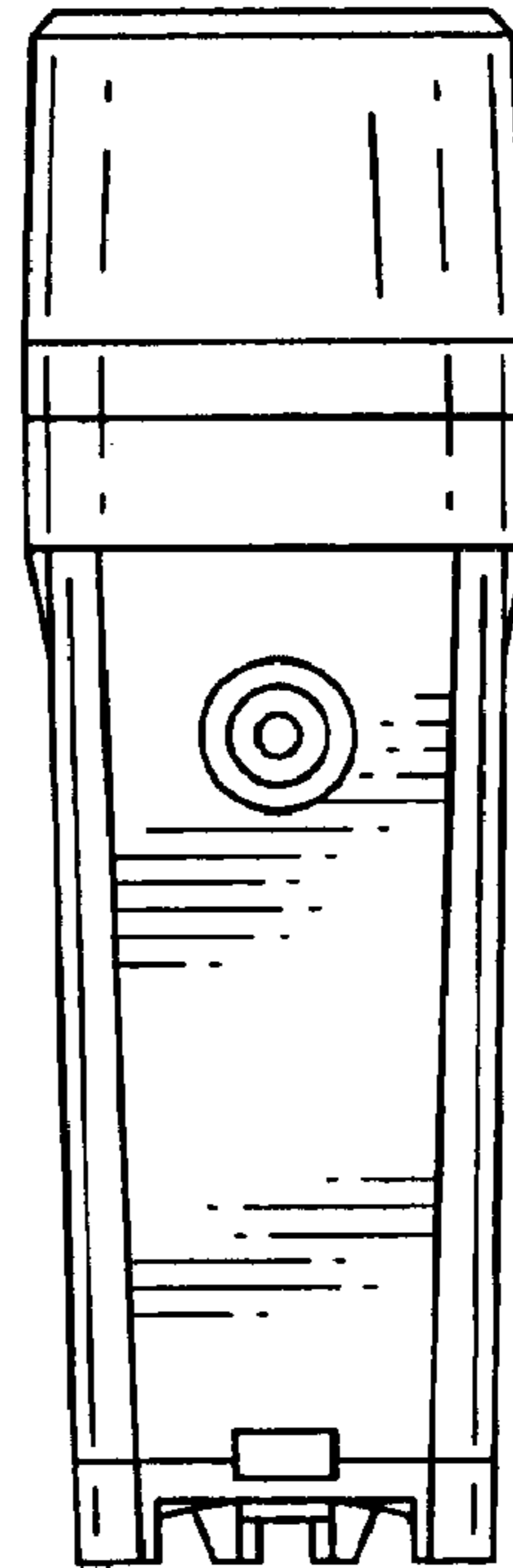


FIG. 5

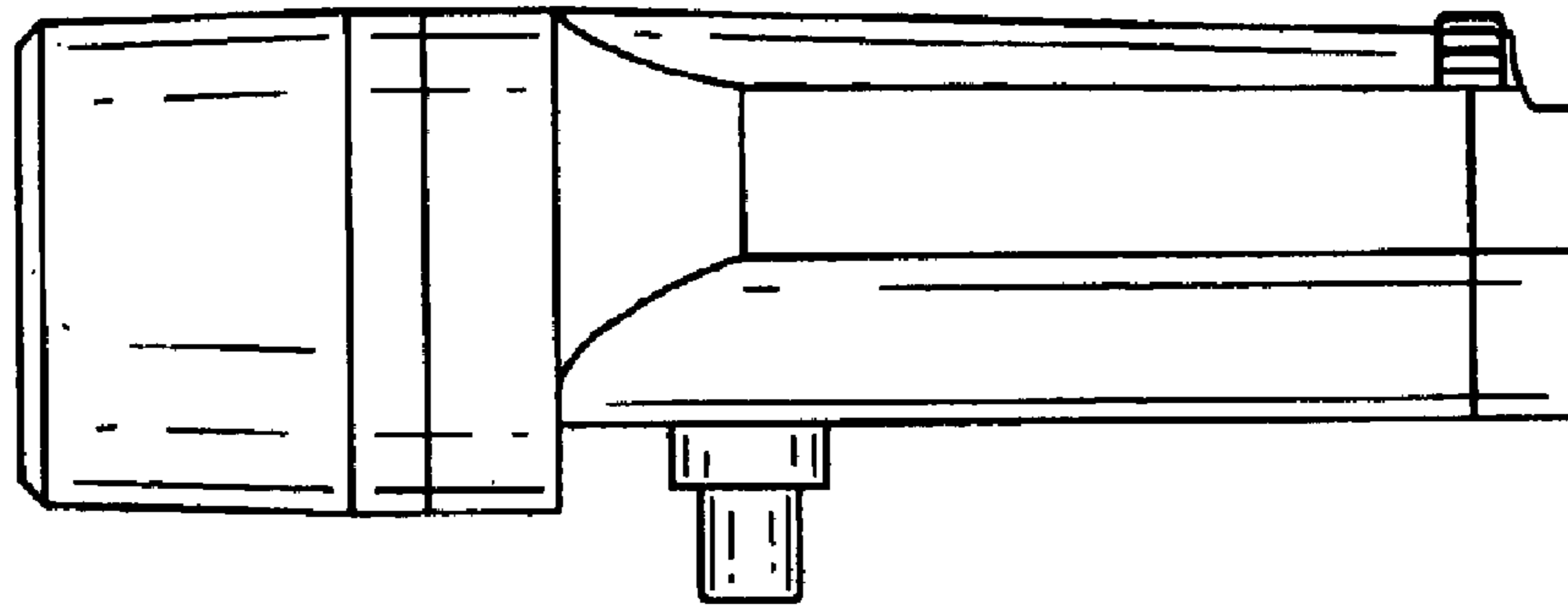


FIG. 6

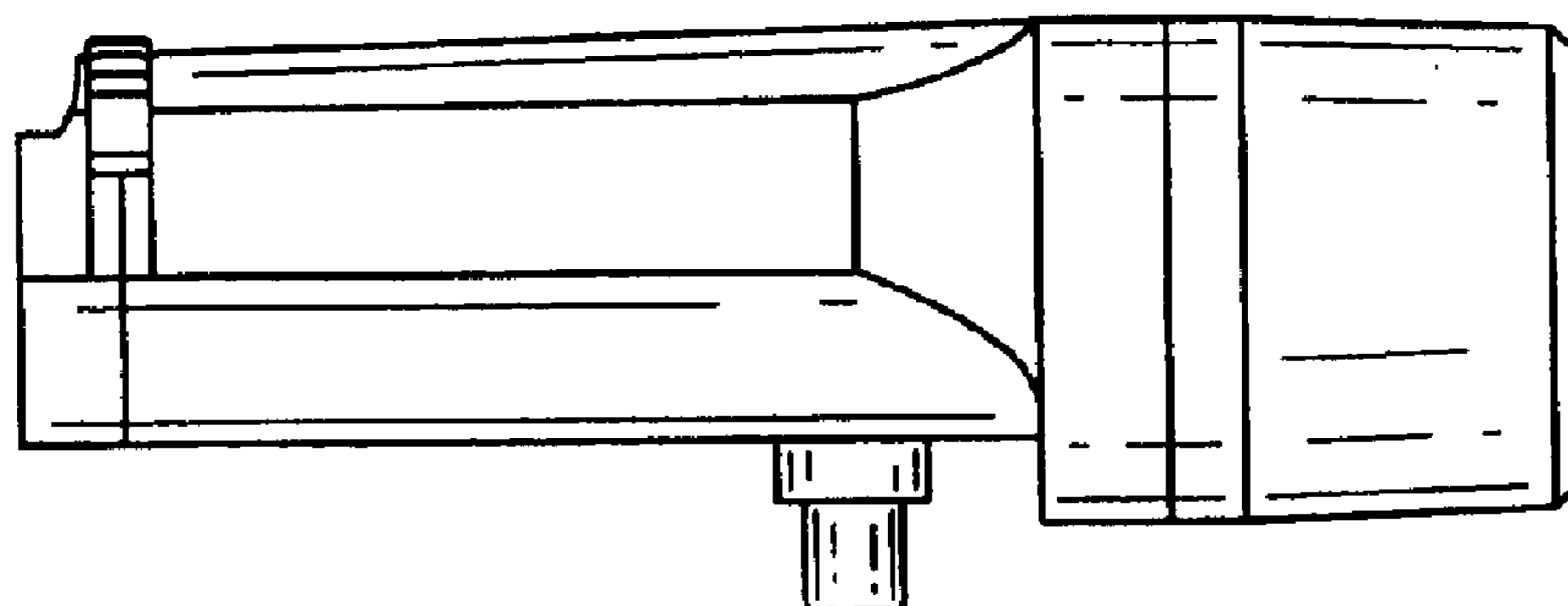


FIG. 7

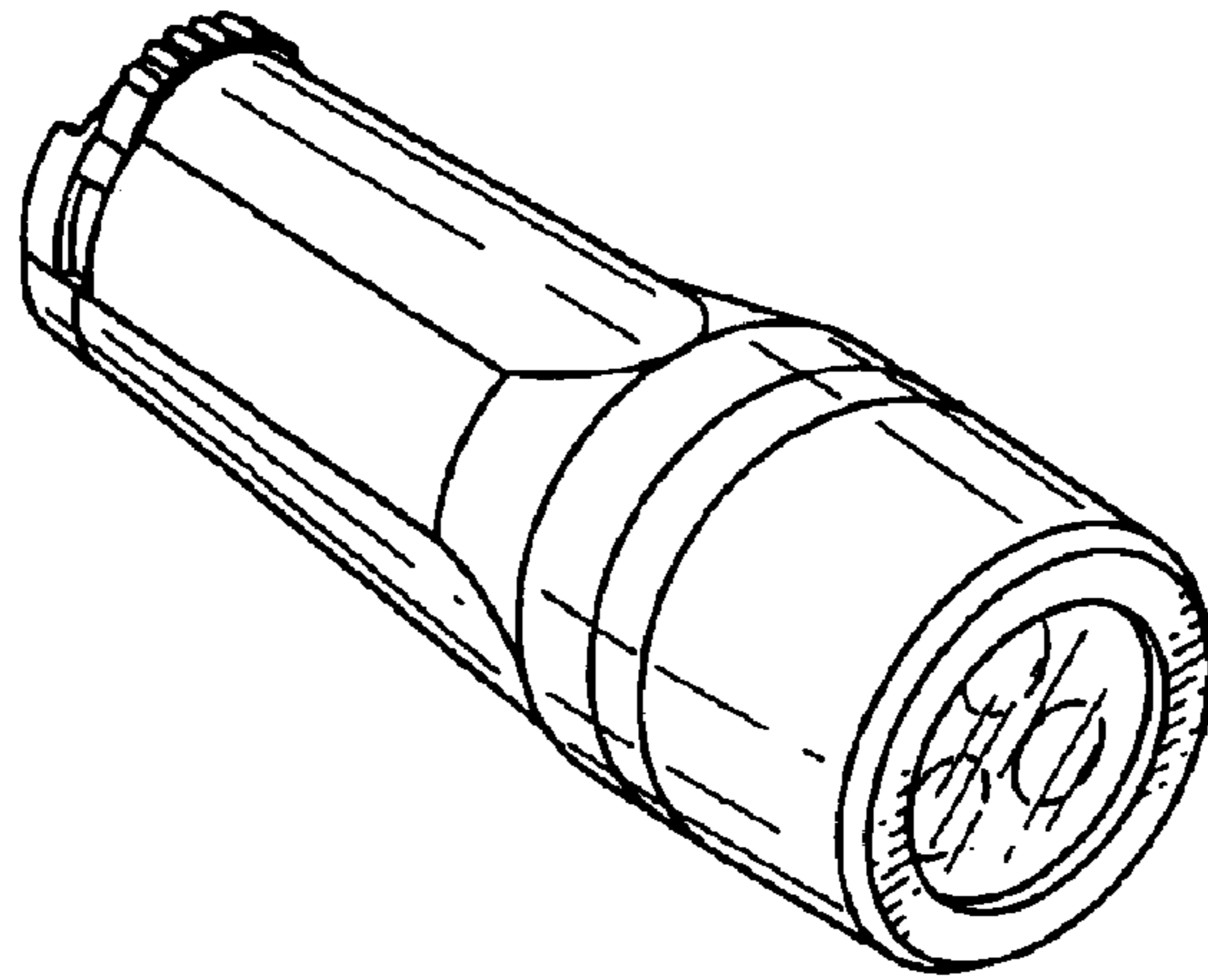


FIG. 8

