



US00D513082S

(12) **United States Design Patent**  
**Hoshikawa et al.**

(10) **Patent No.: US D513,082 S**  
(45) **Date of Patent: \*\* Dec. 20, 2005**

(54) **LED LAMP**

(75) Inventors: **Kiyotoshi Hoshikawa**, Tokyo (JP);  
**Katsunori Sato**, Tokyo (JP); **Naohisa Iso**, Tokyo (JP)

(73) Assignee: **Moriyama Sangyo Kabushiki Kaisha**,  
Tokyo (JP)

(\*\*) Term: **14 Years**

(21) Appl. No.: **29/195,350**

(22) Filed: **Dec. 10, 2003**

(30) **Foreign Application Priority Data**

Jun. 12, 2003 (JP) ..... 2003-020618

(51) **LOC (6) Cl. .... 26-05**

(52) **U.S. Cl. .... D26/25; D26/1**

(58) **Field of Search** ..... D25/1, 3, 24, 25,  
D25/75, 76; 313/313; 362/26, 31, 555,  
800, 552, 582, 171, 178

(56) **References Cited**

**U.S. PATENT DOCUMENTS**

- 2,135,480 A \* 11/1938 Birdseye ..... 313/113
- 5,607,227 A \* 3/1997 Yasumoto et al. .... 362/249
- D384,428 S \* 9/1997 Sato et al. .... D26/3
- 5,688,042 A \* 11/1997 Madadi et al. .... 362/240
- D477,093 S \* 7/2003 Moriyama et al. .... D26/3
- D477,094 S \* 7/2003 Moriyama et al. .... D26/3
- 6,830,360 B1 \* 12/2004 Galvez ..... 362/249
- 2002/0114155 A1 \* 8/2002 Katogi et al. .... 362/219
- 2002/0149933 A1 \* 10/2002 Archer et al. .... 362/234
- 2003/0021115 A1 \* 1/2003 Sloan et al. .... 362/240

- 2003/0048841 A1 \* 3/2003 Alexanderson et al. .... 362/800
- 2003/0076691 A1 \* 4/2003 Becks et al. .... 362/555
- 2004/0179372 A1 \* 9/2004 Guerrieri ..... 362/555

\* cited by examiner

*Primary Examiner*—Clare E Heflin

(74) *Attorney, Agent, or Firm*—Marshall & Melhorn, LLC

(57) **CLAIM**

The ornamental design for an LED lamp, as shown and described.

**DESCRIPTION**

FIG. 1 is a perspective view of a LED lamp showing our new design;

FIG. 2 is a front view thereof;

FIG. 3 is a back view thereof;

FIG. 4 is a right side view thereof;

FIG. 5 is a left side view thereof;

FIG. 6 is a top plan view thereof;

FIG. 7 is a bottom plan view thereof;

FIG. 8 is a cross-sectional view thereof taken along the lines VIII—VIII in FIG. 6;

FIG. 9 is an enlarged cross-sectional view of a part thereof indicated by an arrow A in FIG. 8;

FIG. 10 is an enlarged cross-sectional view of a part thereof indicated by an arrow B in FIG. 8;

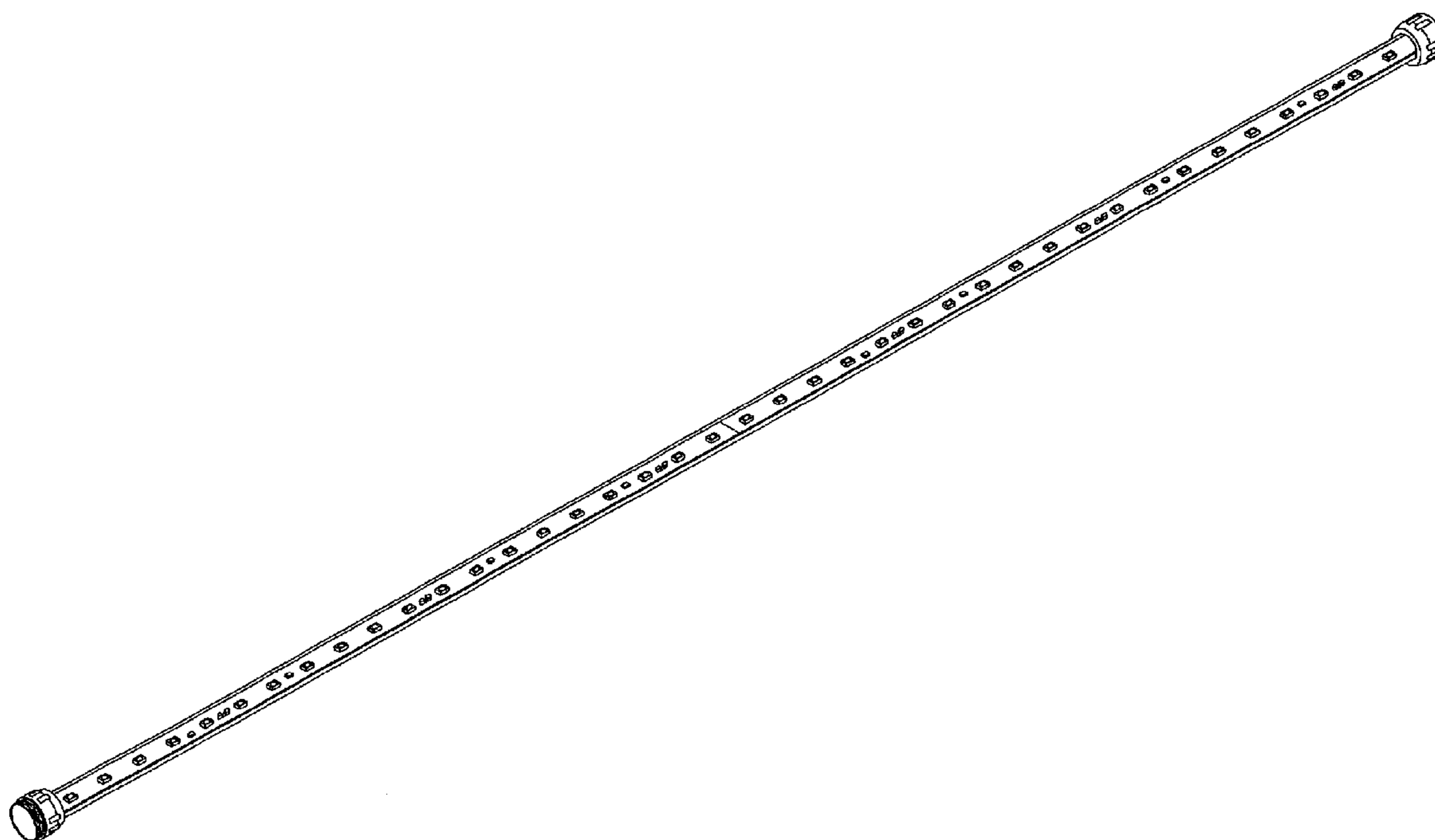
FIG. 11 is a right end view of the part shown in FIG. 9;

FIG. 12 is a left end view of the part shown in FIG. 10; and,

FIG. 13 an illustrative enlarged cross-sectional view showing the LED lamp being connected to another lamp.

The broken lines shown on the drawings are for illustrative purposes only and from no part of the claimed design.

**1 Claim, 6 Drawing Sheets**



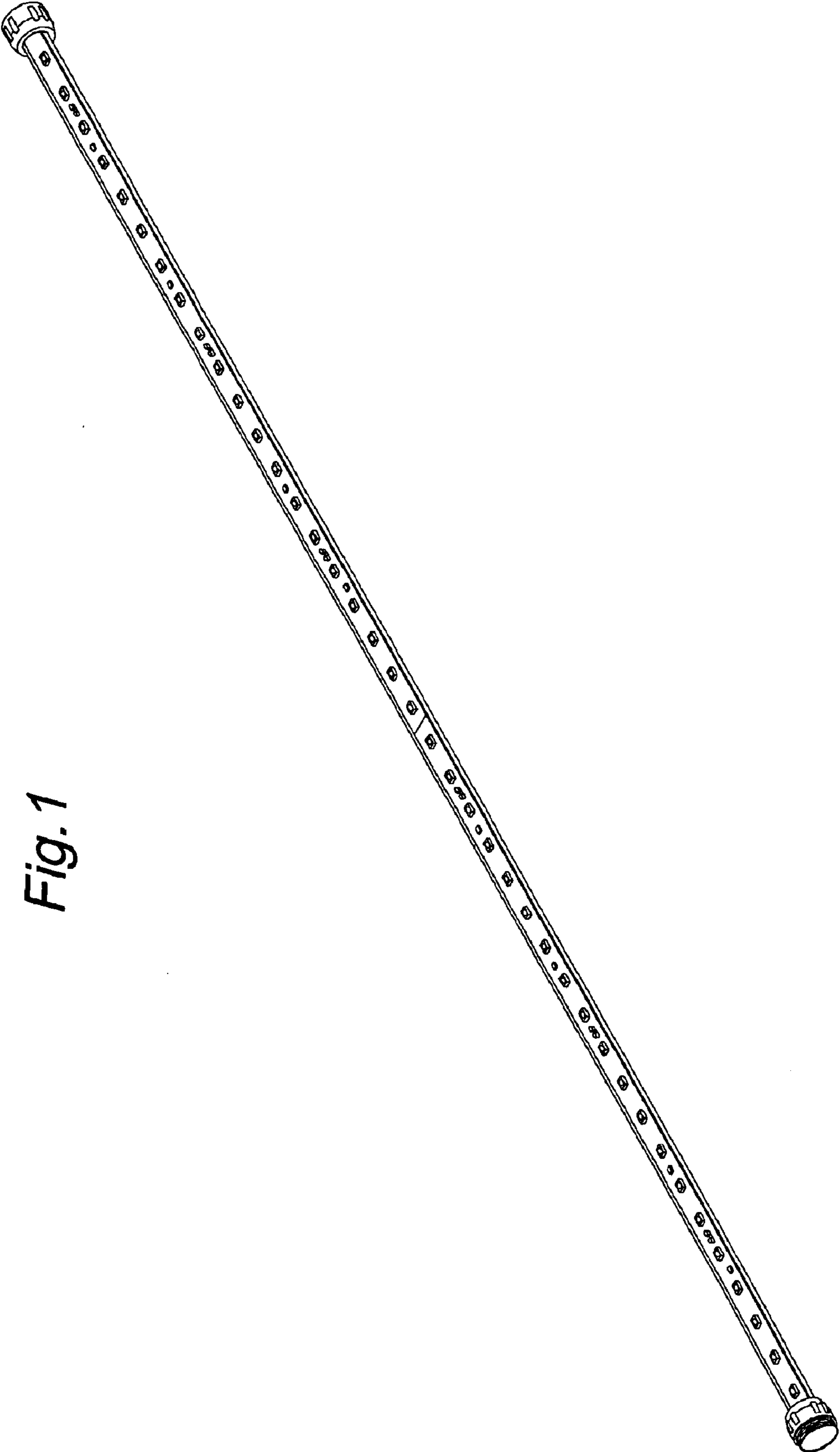


Fig. 1

Fig. 2



Fig. 3

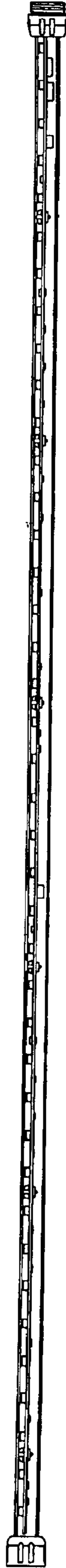


Fig. 4



Fig. 5



Fig.6

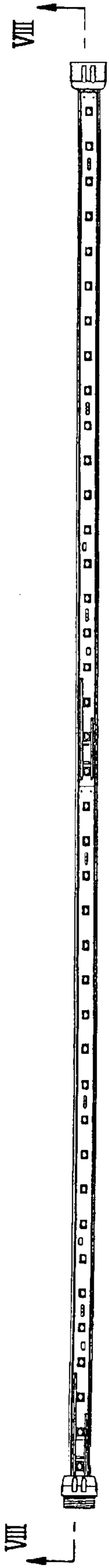


Fig.7

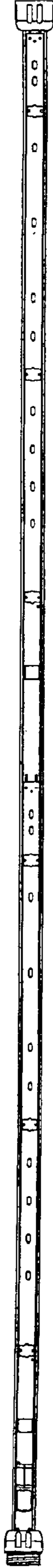


Fig.8

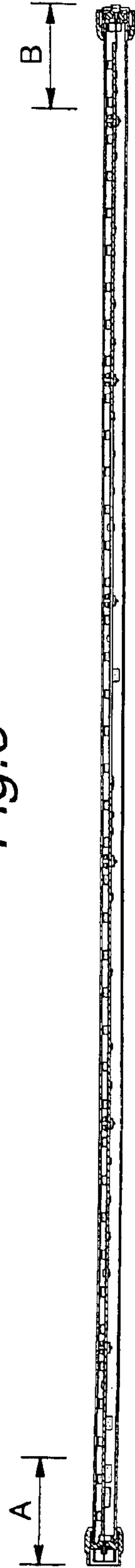


Fig. 9

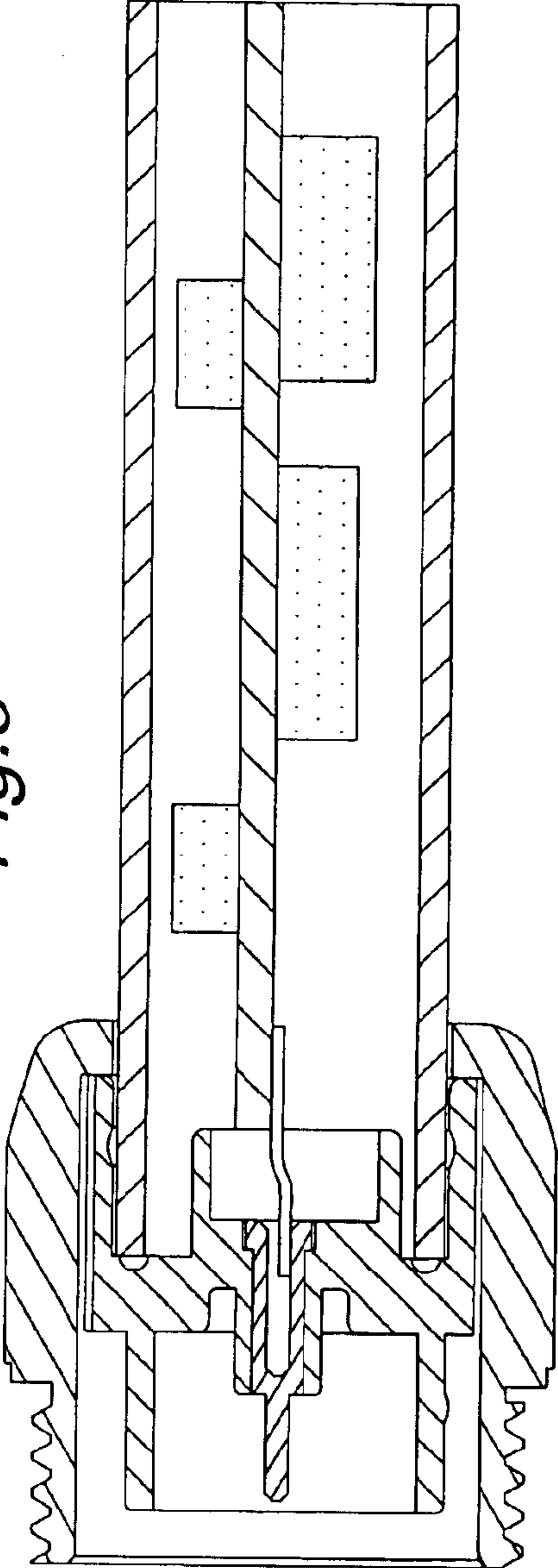
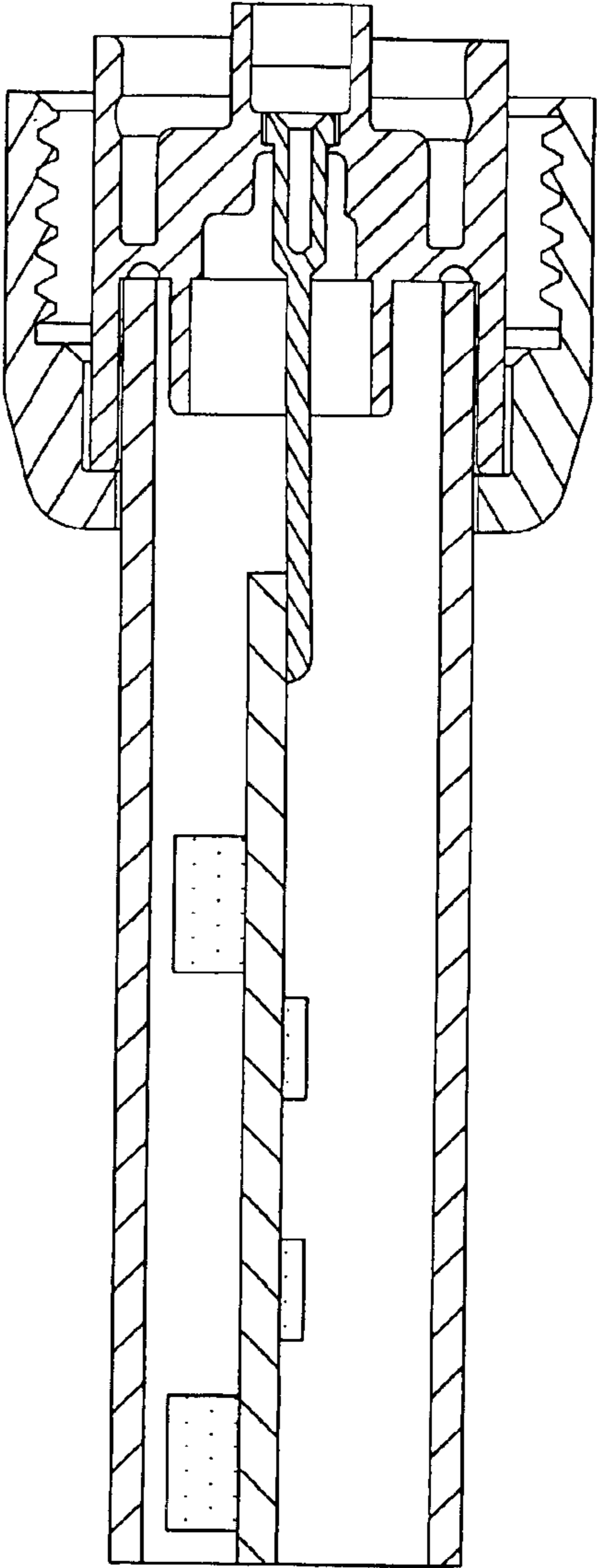
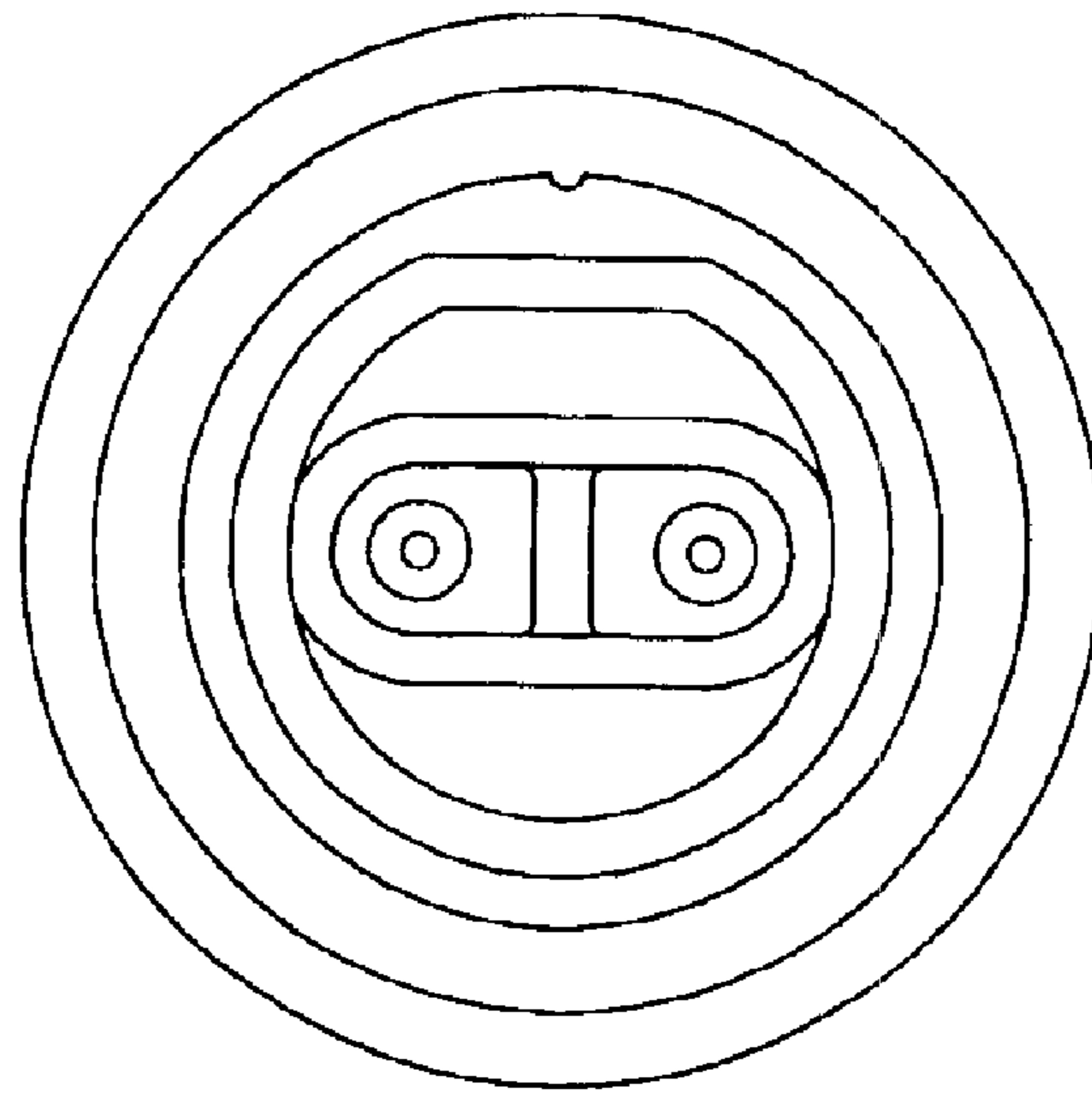


Fig. 10



*Fig. 11*



*Fig. 12*

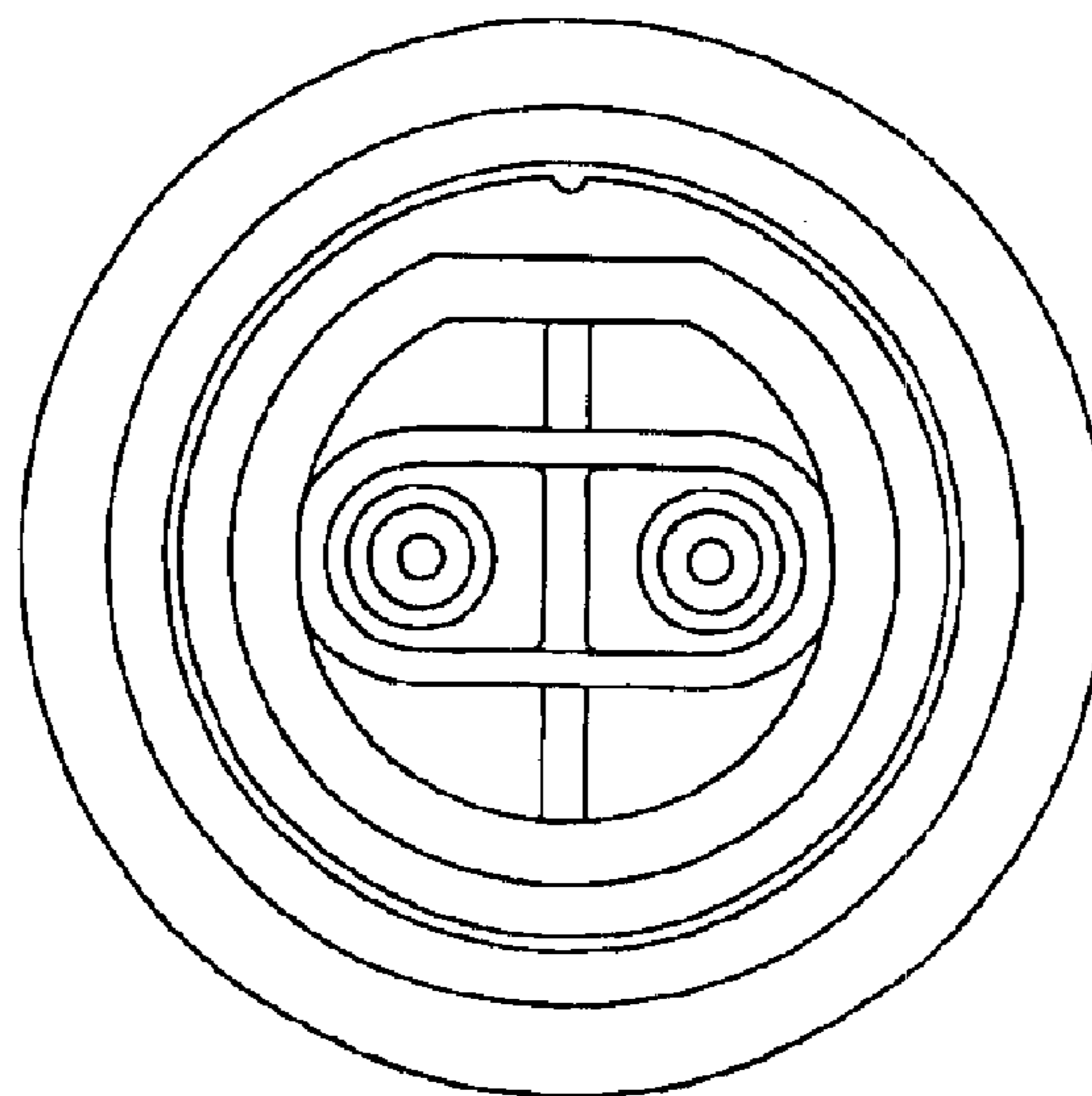


Fig. 13

