

US00D513080S

(12) **United States Design Patent**
Foo

(10) **Patent No.:** **US D513,080 S**

(45) **Date of Patent:** **** Dec. 20, 2005**

(54) **FLUORESCENT LAMP**

(75) **Inventor:** **Onn Fah Foo, Kowloon (HK)**

(73) **Assignee:** **Mass Technology (H.K.) Limited, Kowloon (HK)**

(**) **Term:** **14 Years**

(21) **Appl. No.:** **29/216,833**

(22) **Filed:** **Nov. 10, 2004**

(30) **Foreign Application Priority Data**

Sep. 14, 2004 (HK) 0412080.6M002

(51) **LOC (6) Cl.** **26-04**

(52) **U.S. Cl.** **D26/3**

(58) **Field of Search** D26/1-4; 313/313, 313/317, 318, 493; 315/56, 57, 58, 63

(56) **References Cited**

U.S. PATENT DOCUMENTS

D430,318 S * 8/2000 Choi D26/3

D439,681 S * 3/2001 Choi D26/3
D447,254 S * 8/2001 Takeuchi D26/3
D447,823 S * 9/2001 Choi D26/3
D464,154 S * 10/2002 Xu D26/3

* cited by examiner

Primary Examiner—Marcus A. Jackson

(74) *Attorney, Agent, or Firm*—Rabin & Berdo, P.C.

(57) **CLAIM**

The ornamental design for fluorescent lamp, as shown and described.

DESCRIPTION

FIG. 1 is a front view of fluorescent lamp showing my new design;

FIG. 2 is a rear view thereof;

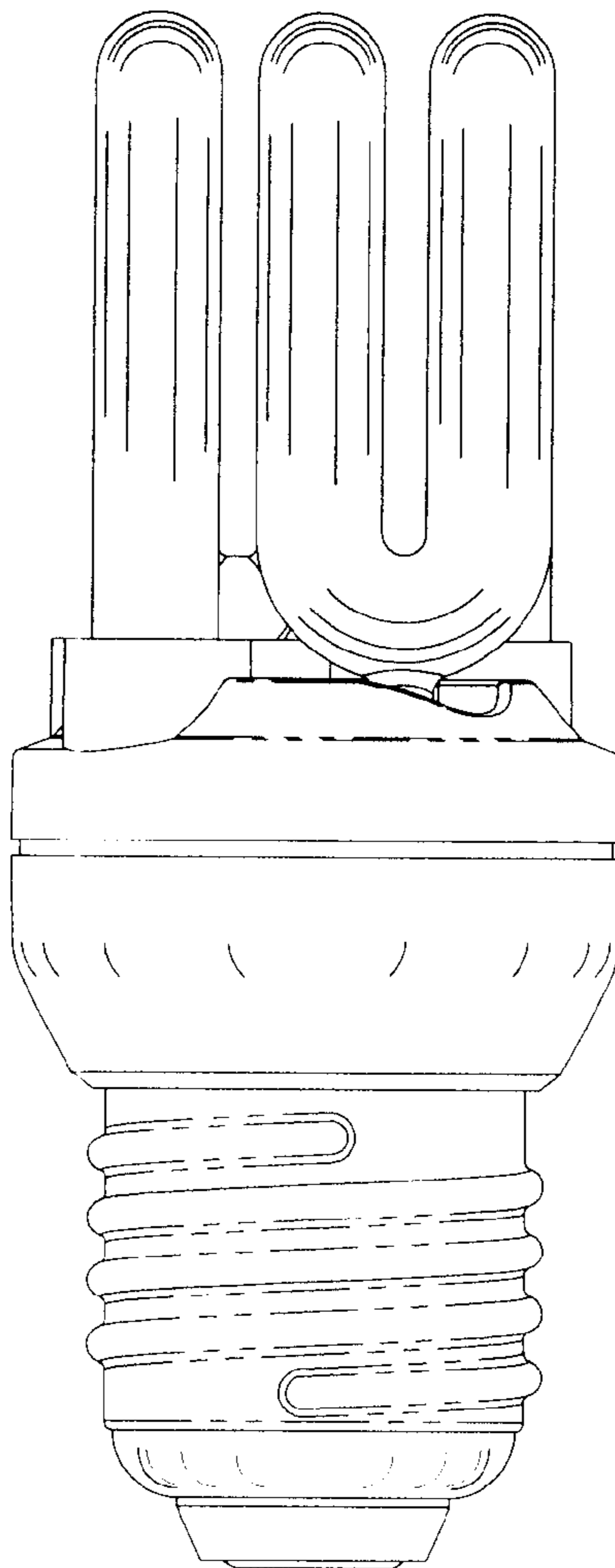
FIG. 3 is a left side view thereof;

FIG. 4 is a right side view thereof;

FIG. 5 is a top view thereof; and,

FIG. 6 is a bottom view thereof.

1 Claim, 3 Drawing Sheets



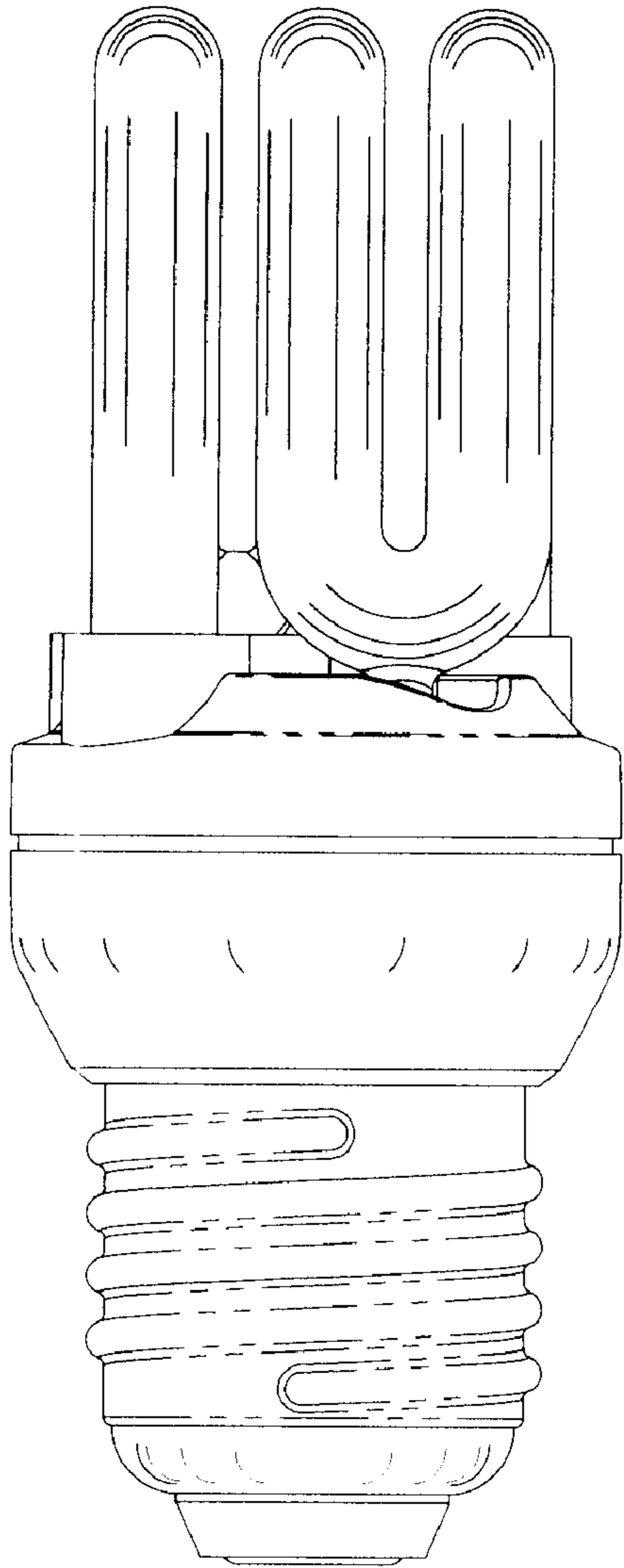


Fig. 1

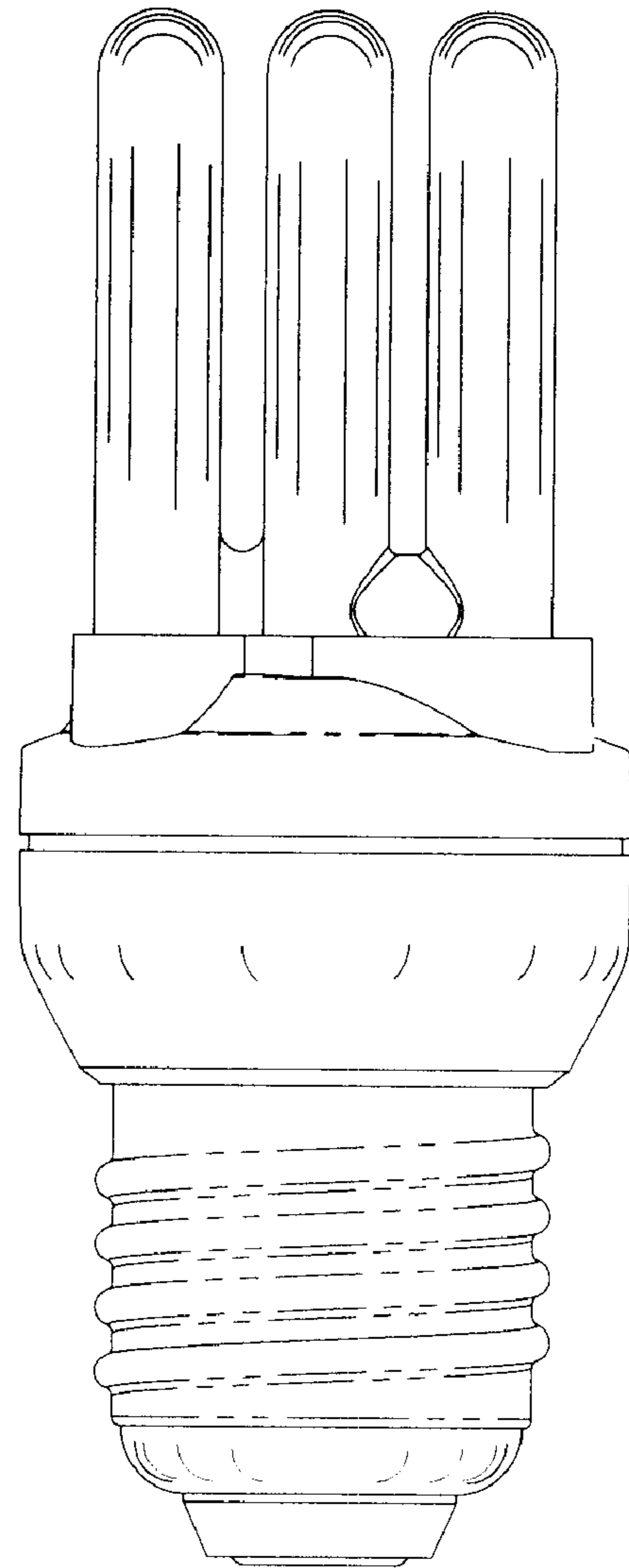


Fig. 2

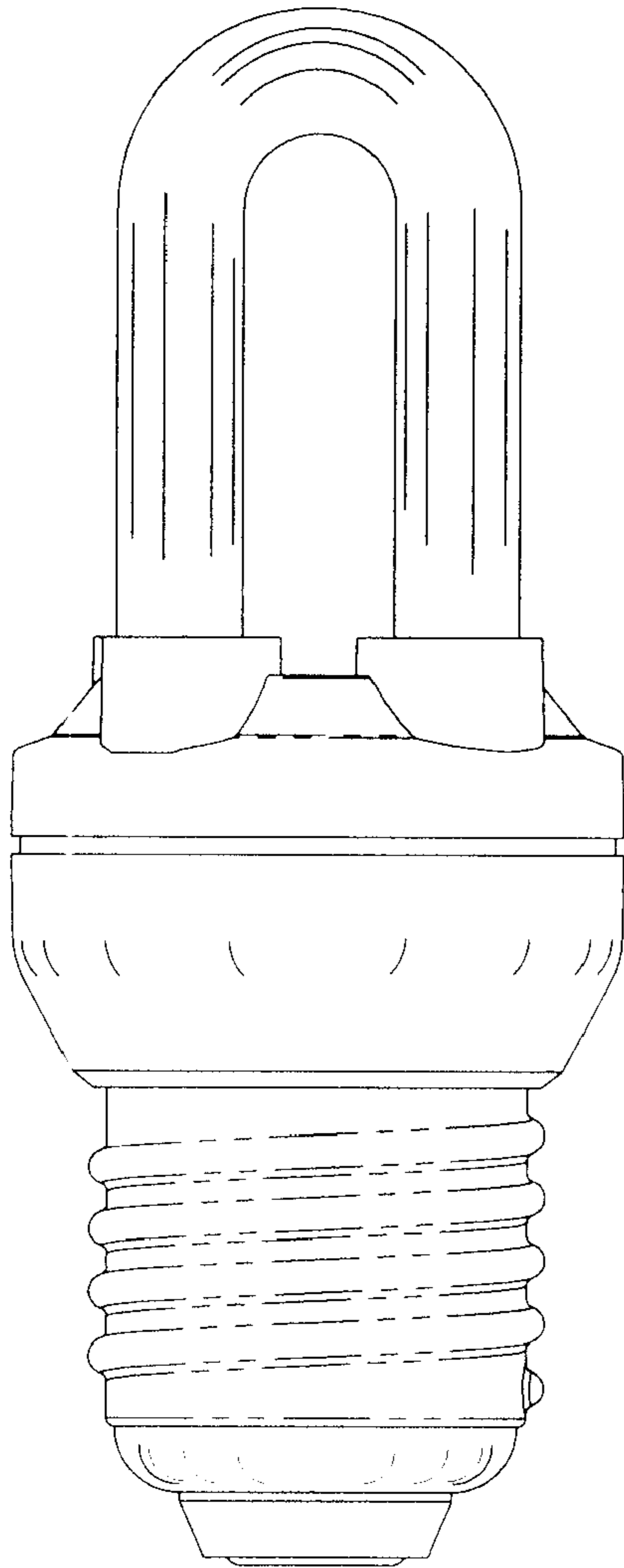


Fig. 3

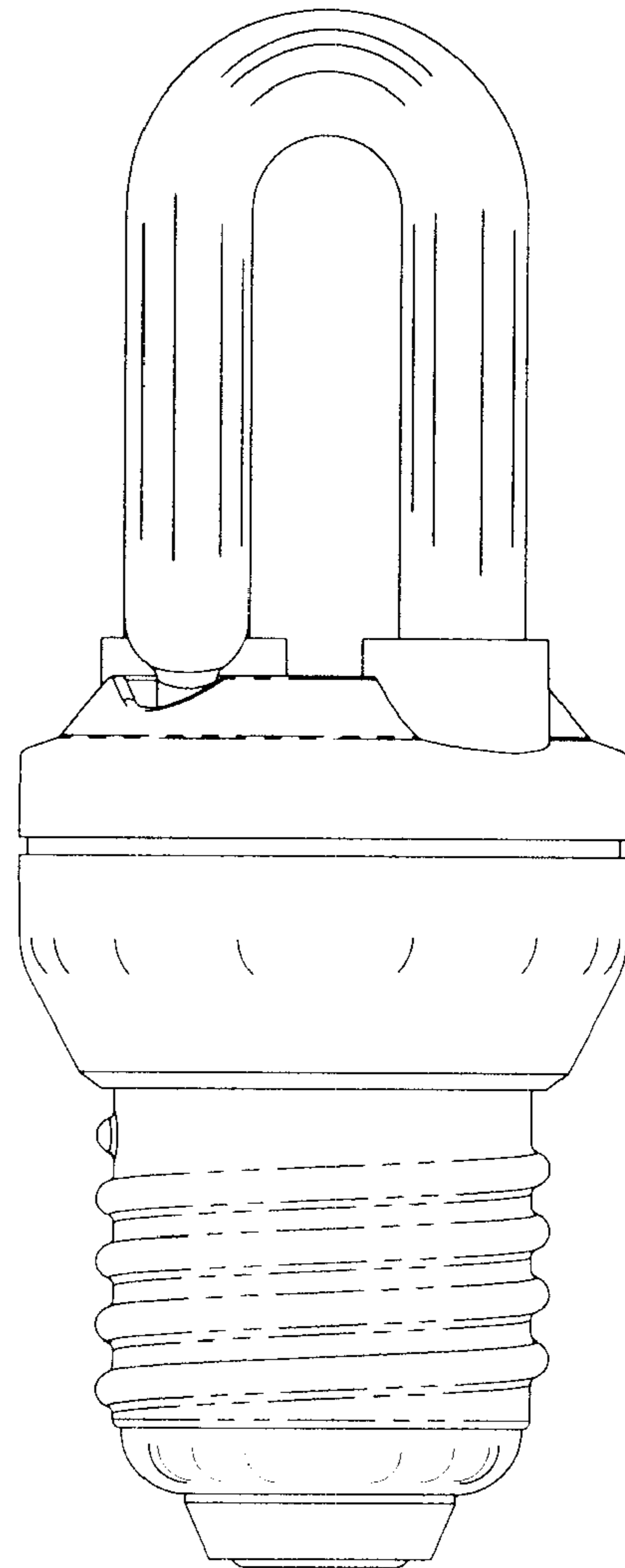


Fig. 4

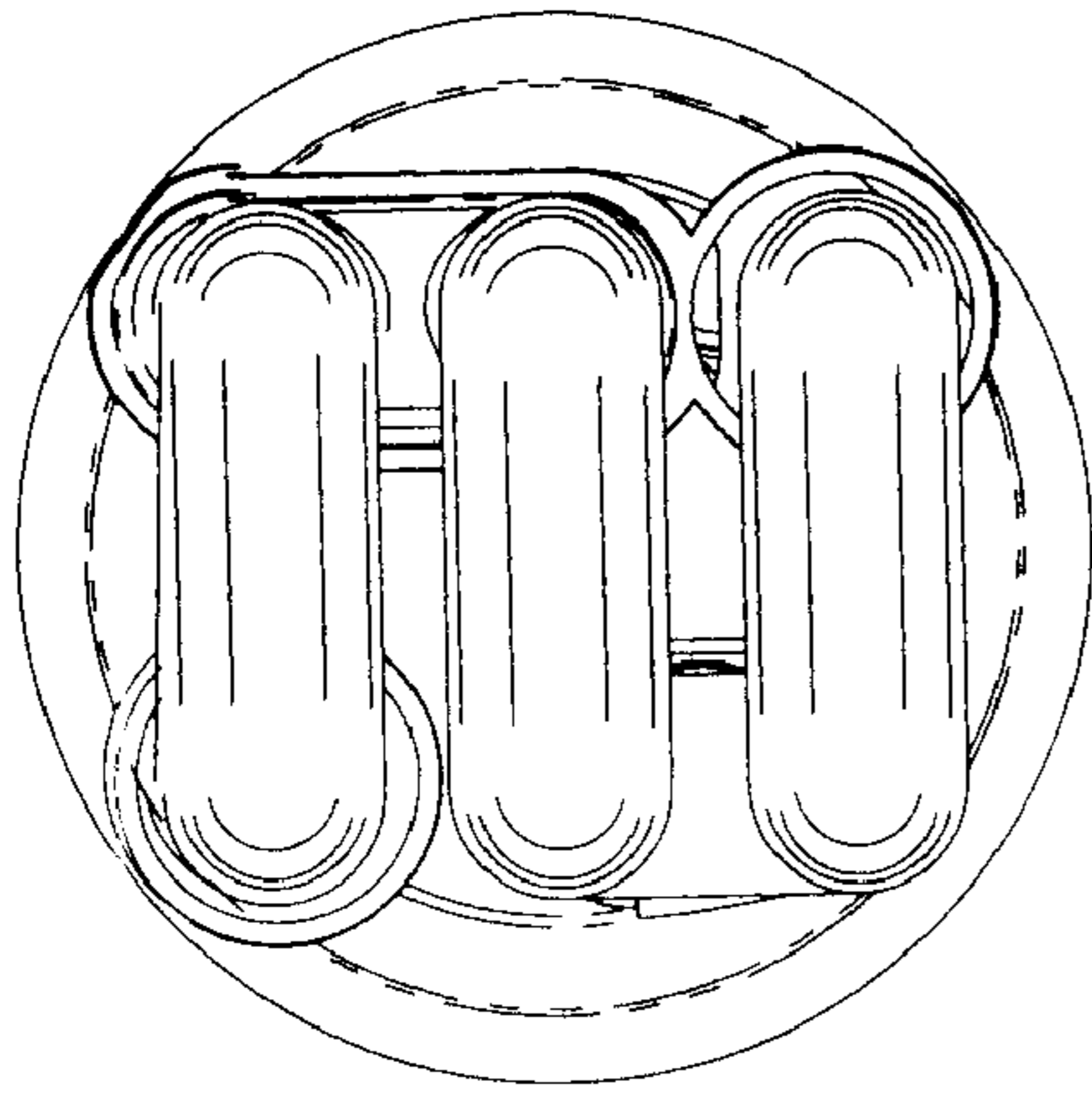


Fig. 5

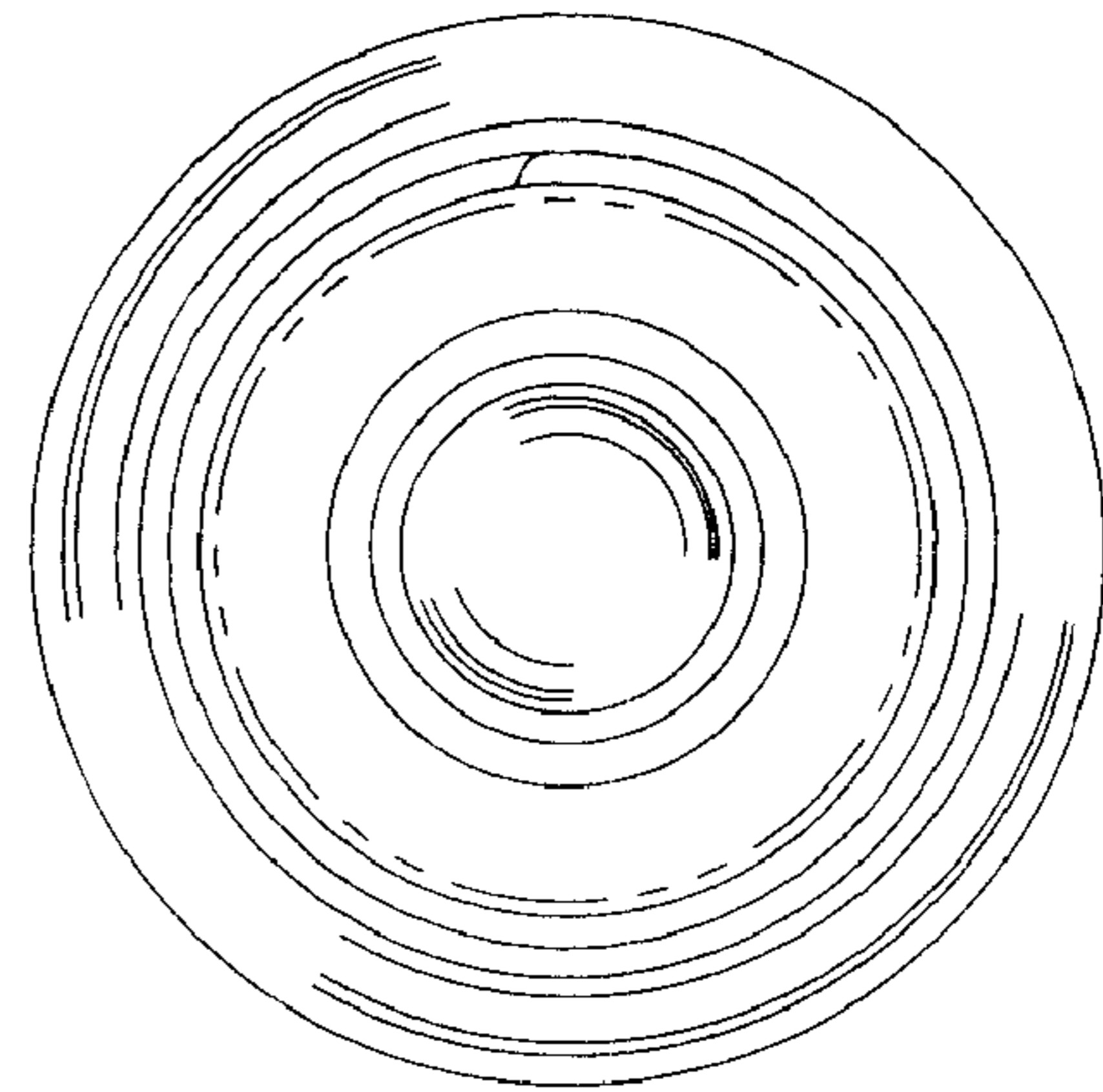


Fig. 6