



US00D513079S

(12) **United States Design Patent**  
**Kluijfhout et al.**

(10) **Patent No.: US D513,079 S**  
(45) **Date of Patent: \*\* Dec. 20, 2005**

(54) **END CAP FOR FLUORESCENT LAMP**

D349,775 S \* 8/1994 Shalvi ..... D26/3  
D448,096 S \* 9/2001 Choi ..... D26/3

(75) Inventors: **Martinus Frans Kluijfhout**,  
Koudekerke (NL); **Izak Tange**, Yerseke  
(NL)

\* cited by examiner

(73) Assignee: **Koninklijke Philips Electronics, N.V.**,  
Eindhoven (NL)

*Primary Examiner*—Marcus A. Jackson

(\*\*) Term: **14 Years**

(57) **CLAIM**

The ornamental design for a end cap for fluorescent lamp, as shown.

(21) Appl. No.: **29/213,412**

(22) Filed: **Sep. 16, 2004**

**DESCRIPTION**

(30) **Foreign Application Priority Data**

Mar. 18, 2004 (EP) ..... 000147517-0001

(51) **LOC (6) Cl. .... 26-04**

(52) **U.S. Cl. .... D26/3**

(58) **Field of Search** ..... D26/1-4; 313/313,  
313/315, 318, 320, 493; 315/52, 53, 56,  
57, 58

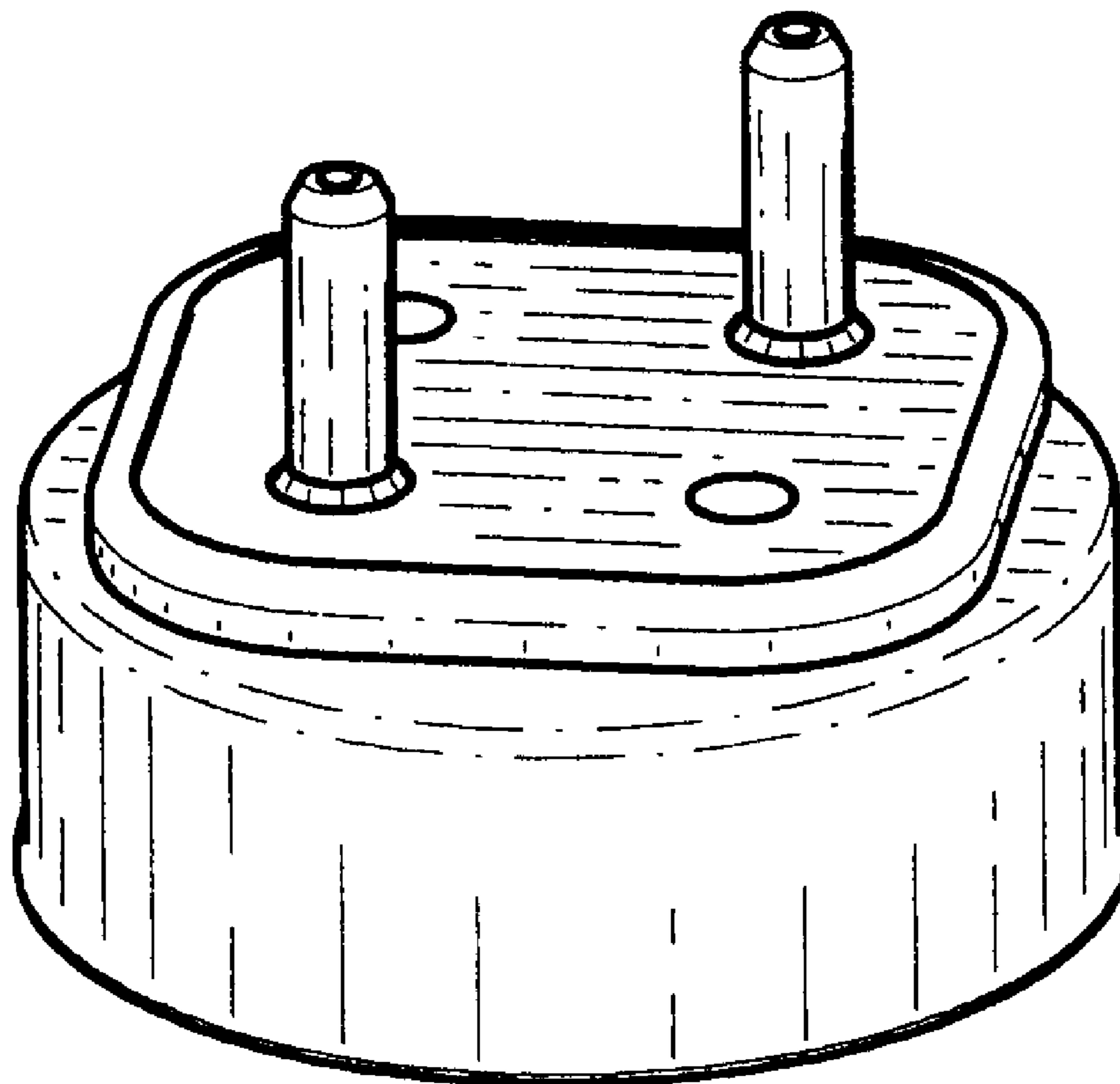
FIG. 1 is a perspective view showing my design;  
FIG. 2 is a front elevational view thereof;  
FIG. 3 is a rear elevational view thereof;  
FIG. 4 is a right side elevational view thereof;  
FIG. 5 is a left side elevational view thereof;  
FIG. 6 is a top plan view thereof; and,  
FIG. 7 is a bottom plan view thereof.

(56) **References Cited**

**U.S. PATENT DOCUMENTS**

D291,556 S \* 8/1987 Engel ..... D26/3

**1 Claim, 2 Drawing Sheets**



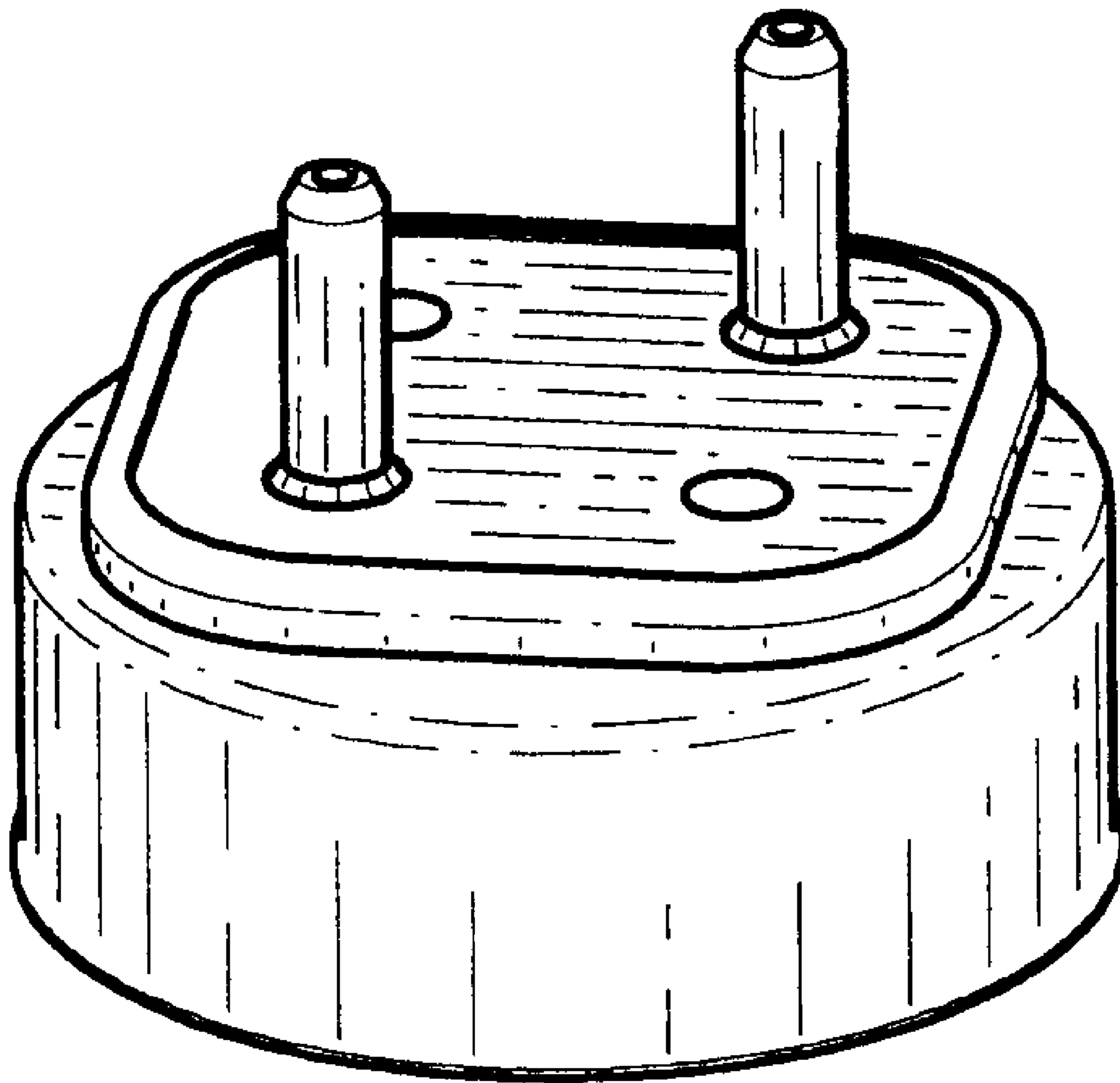


FIG. 1

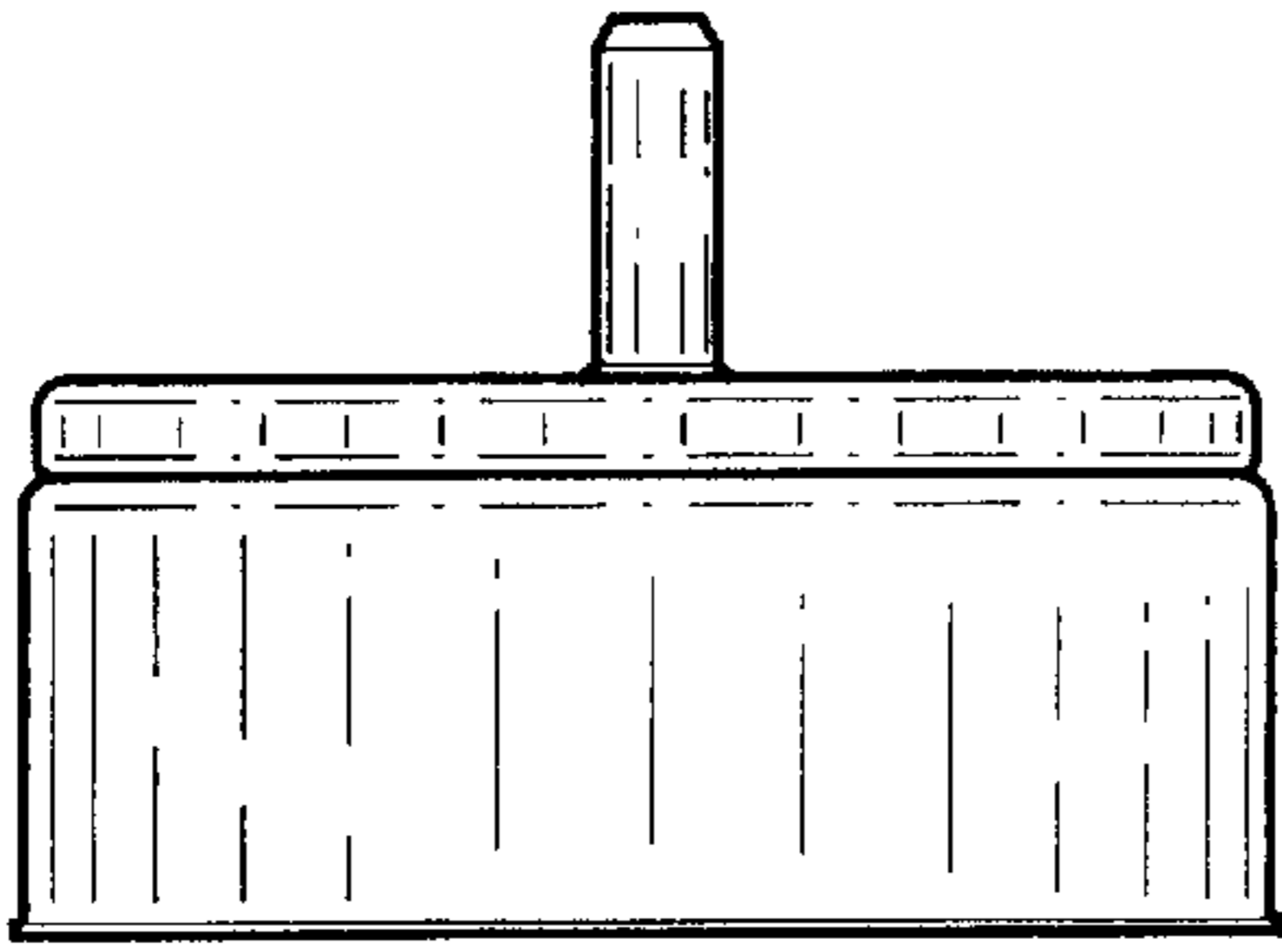


FIG. 2

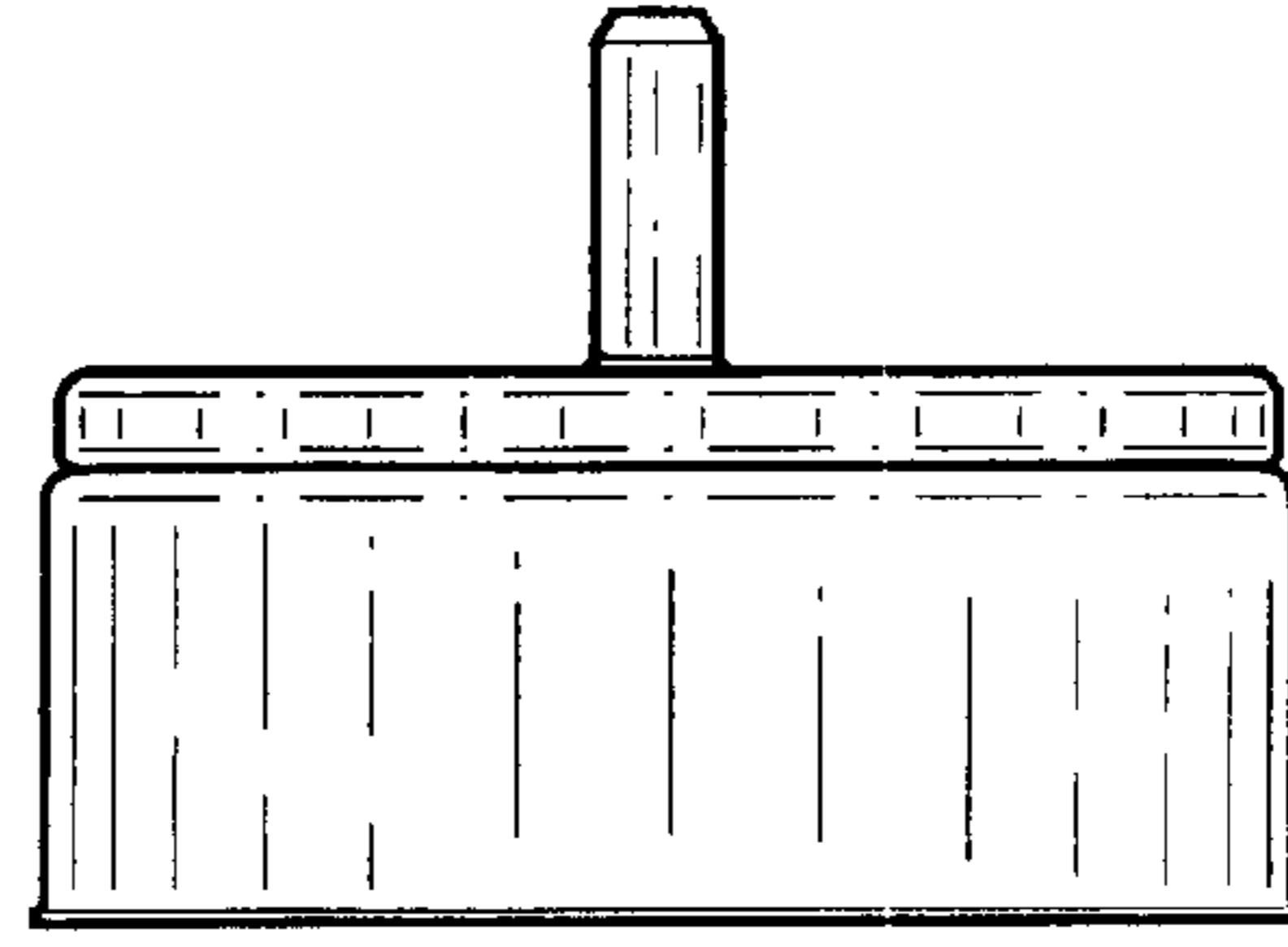


FIG. 3

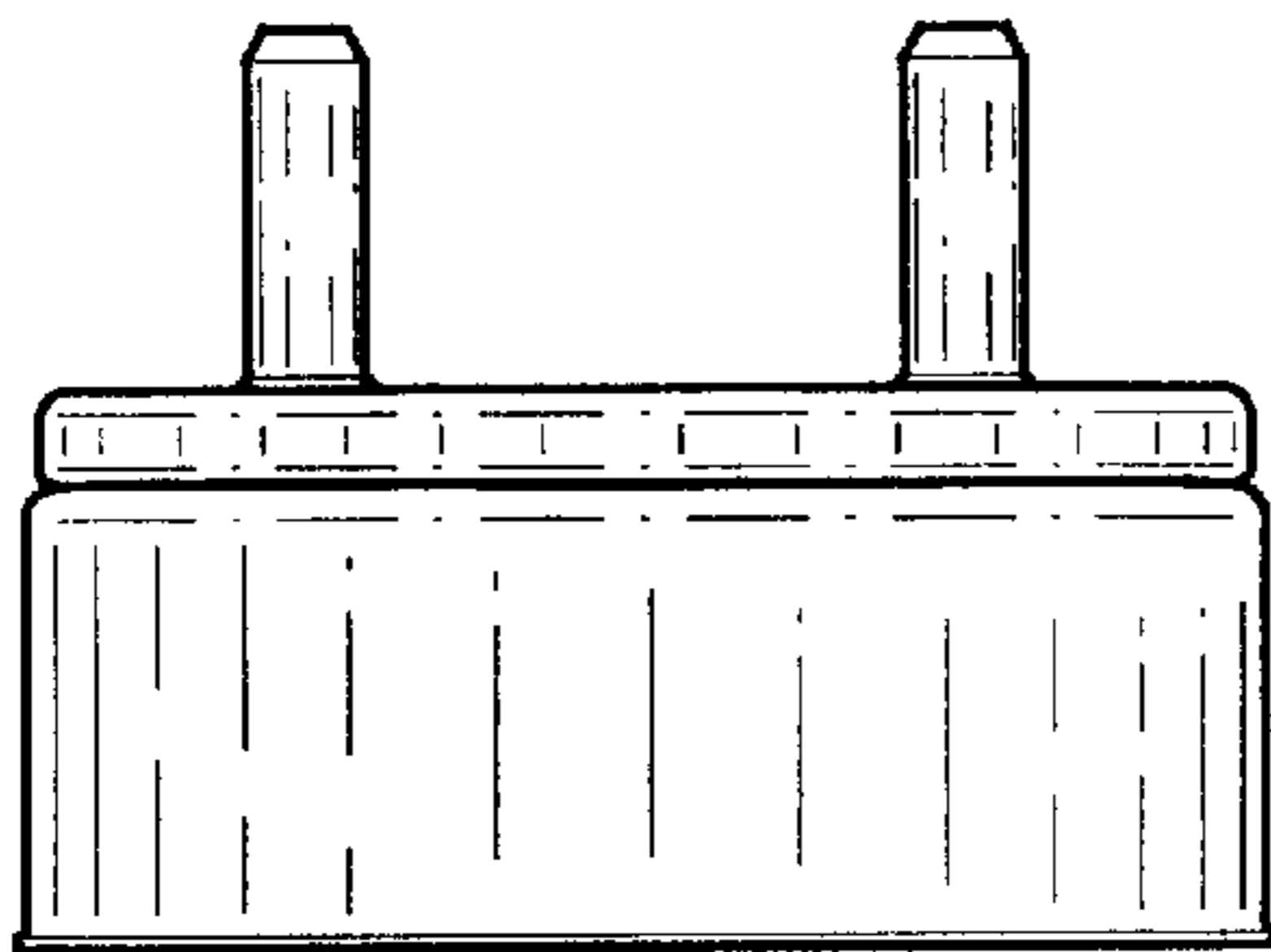


FIG. 4

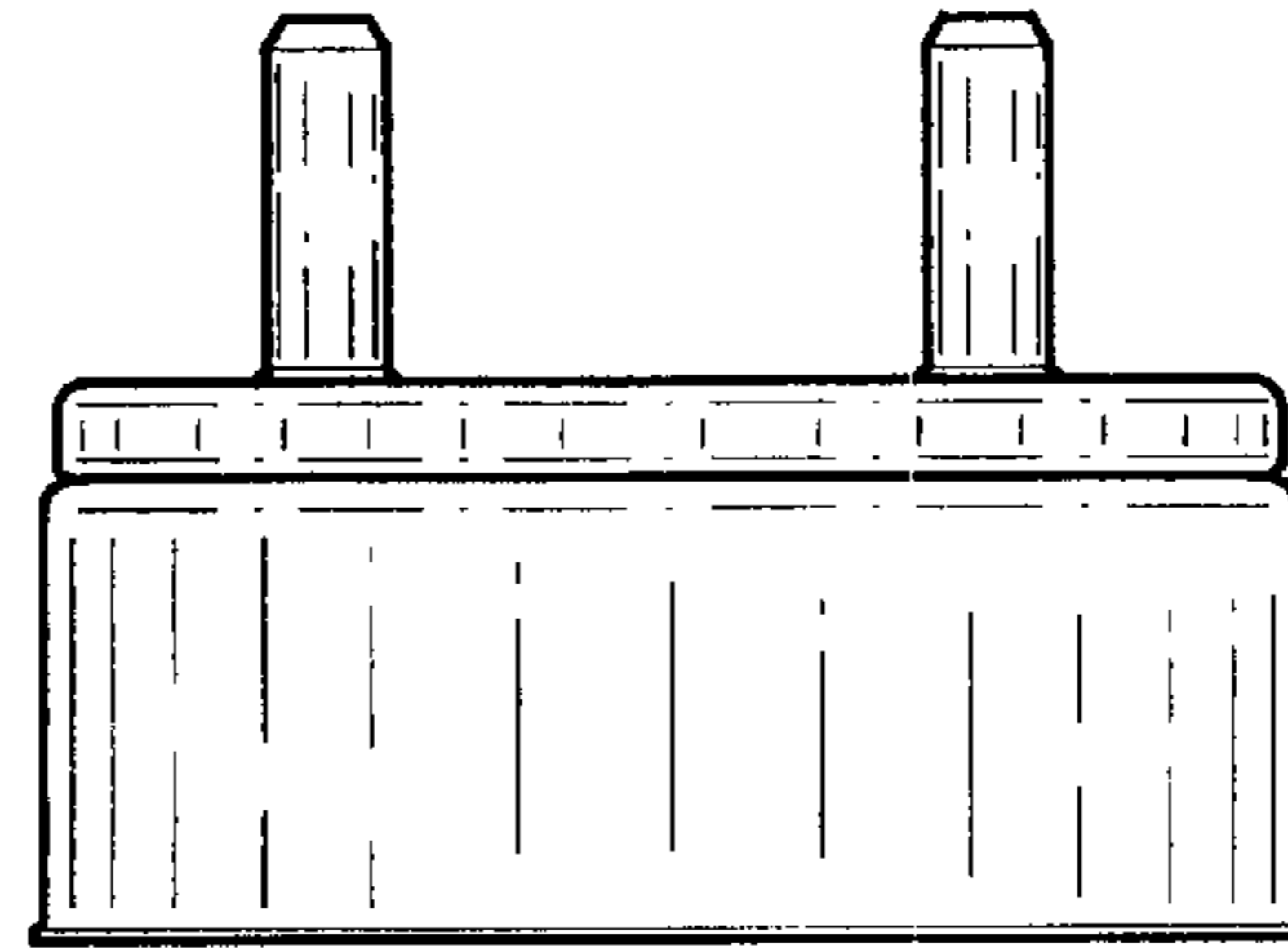


FIG. 5

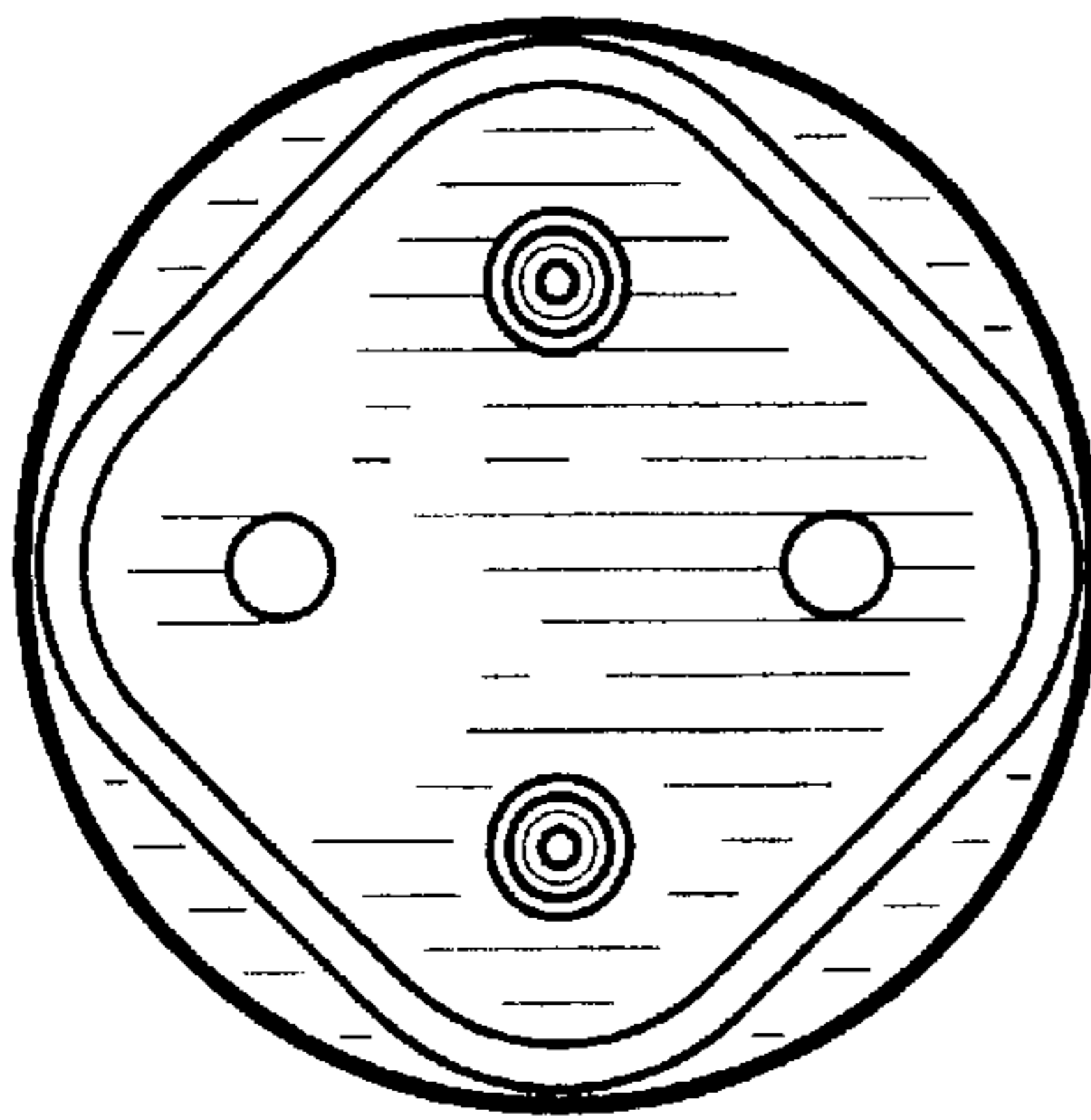


FIG. 6

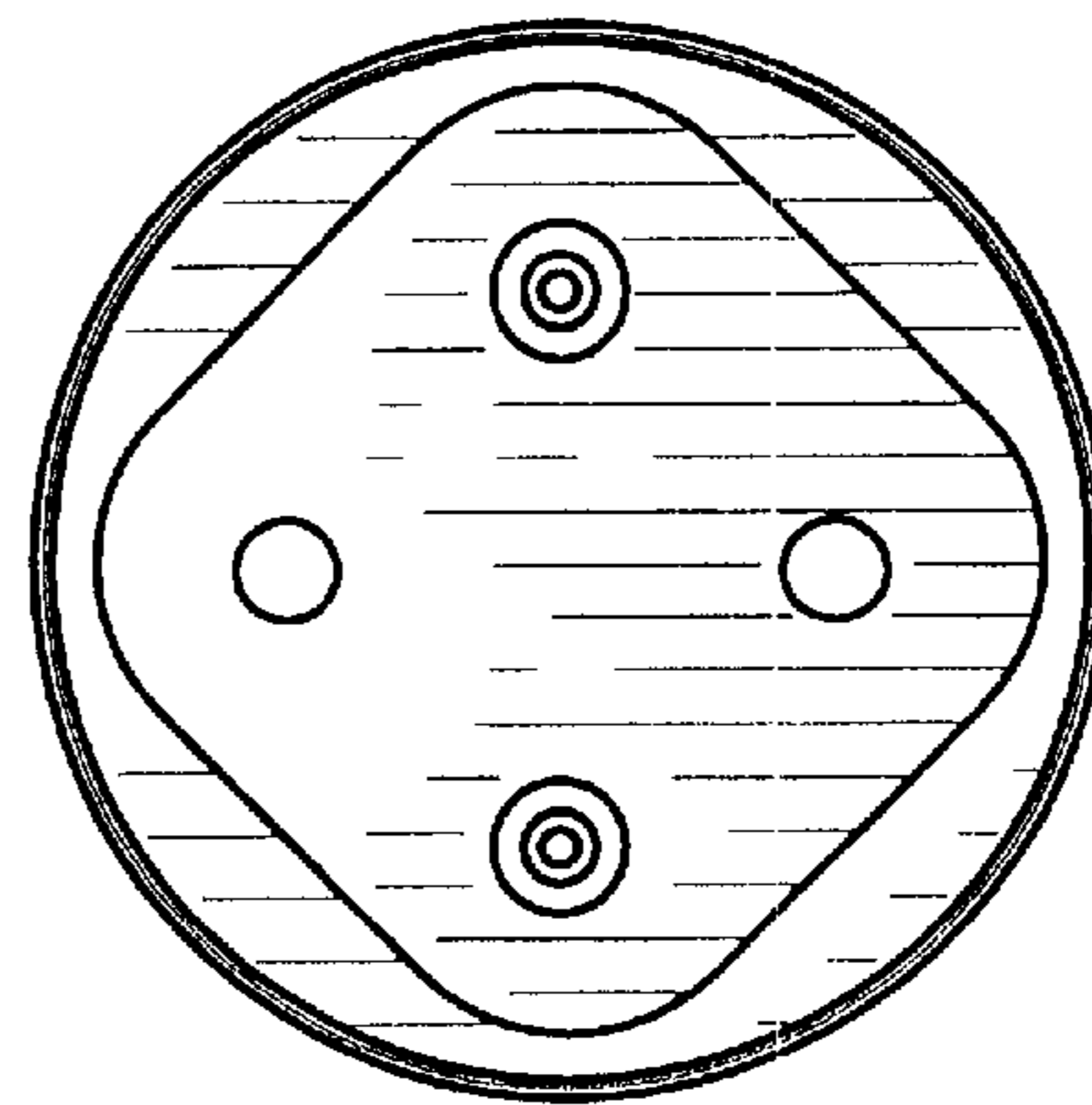


FIG. 7