



US00D513078S

(12) **United States Design Patent**
Richardson et al.

(10) **Patent No.: US D513,078 S**
(45) **Date of Patent: ** Dec. 20, 2005**

(54) **BRICK BORDER EDGE**

D448,859 S * 10/2001 Doman D25/113

(75) Inventors: **Jed Richardson**, Batavia, IL (US);
Torrence Anderson, Overland Park, KS (US)

* cited by examiner

Primary Examiner—Doris Clark
(74) *Attorney, Agent, or Firm*—McHale & Slavin, P.A.

(73) Assignee: **Suncast Corporation**, Batavia, IL (US)

(57) **CLAIM**

(**) Term: **14 Years**

The ornamental design for a brick border edge, as shown and described.

(21) Appl. No.: **29/215,537**

DESCRIPTION

(22) Filed: **Oct. 20, 2004**

FIG. 1 is a front perspective view of the brick border edge of the instant invention;

(51) **LOC (6) Cl.** **25-01**

FIG. 2 is a bottom perspective view of the brick border edge of the instant invention;

(52) **U.S. Cl.** **D25/164**

FIG. 3 is a front elevational view thereof;

(58) **Field of Search** D25/164; 47/33, 47/32.4

FIG. 4 is a top plan view thereof;

FIG. 5 is a bottom plan view thereof;

FIG. 6 is a left elevational view thereof; and,

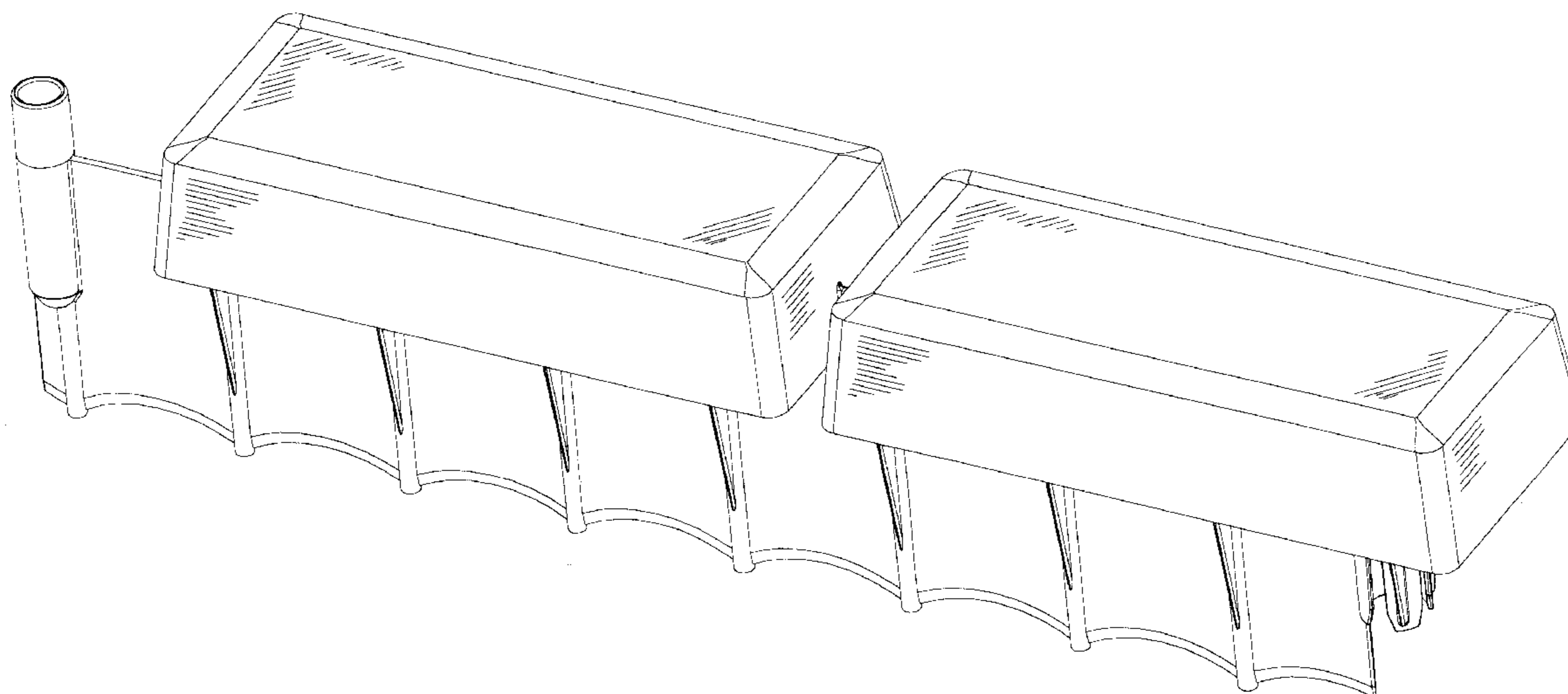
FIG. 7 is a right elevational view thereof.

(56) **References Cited**

U.S. PATENT DOCUMENTS

D315,026 S * 2/1991 Castonguay et al. D25/113

1 Claim, 6 Drawing Sheets



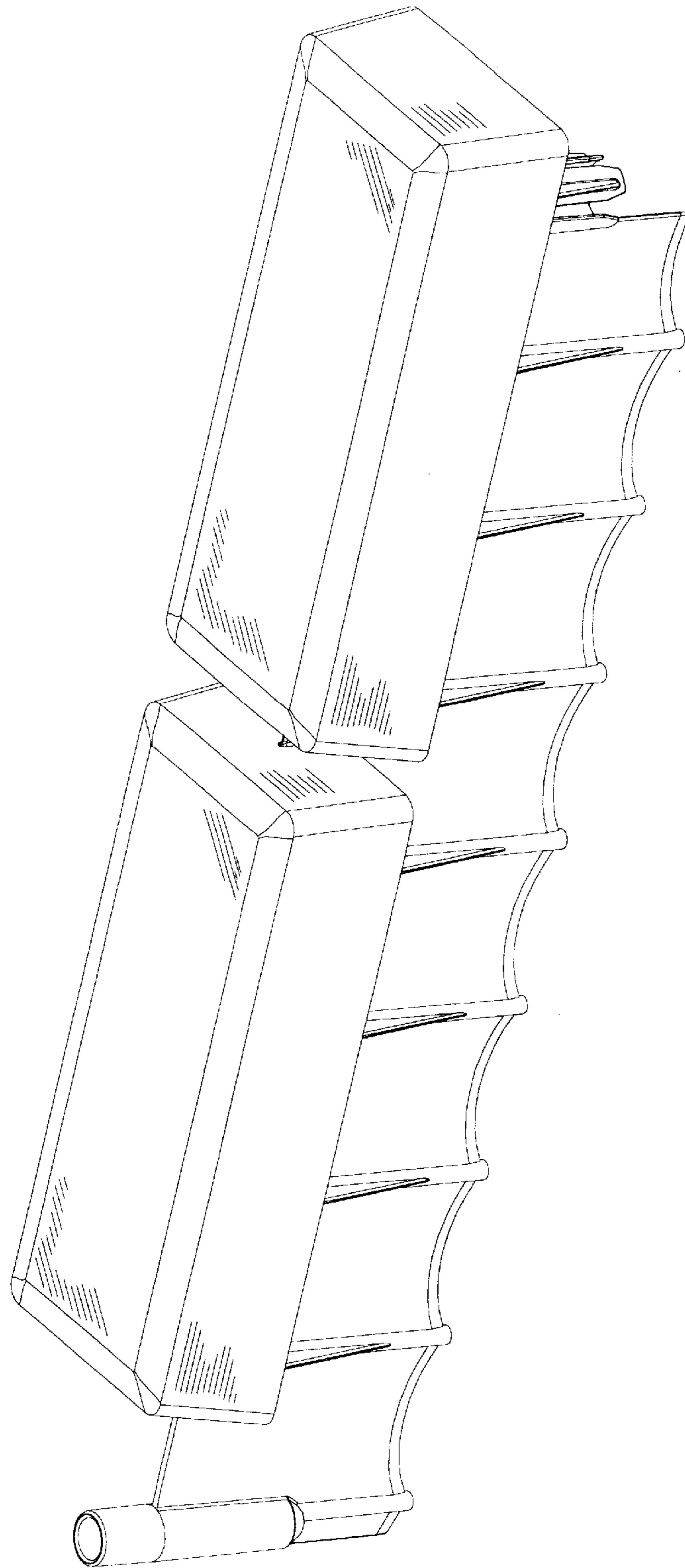


FIGURE 1

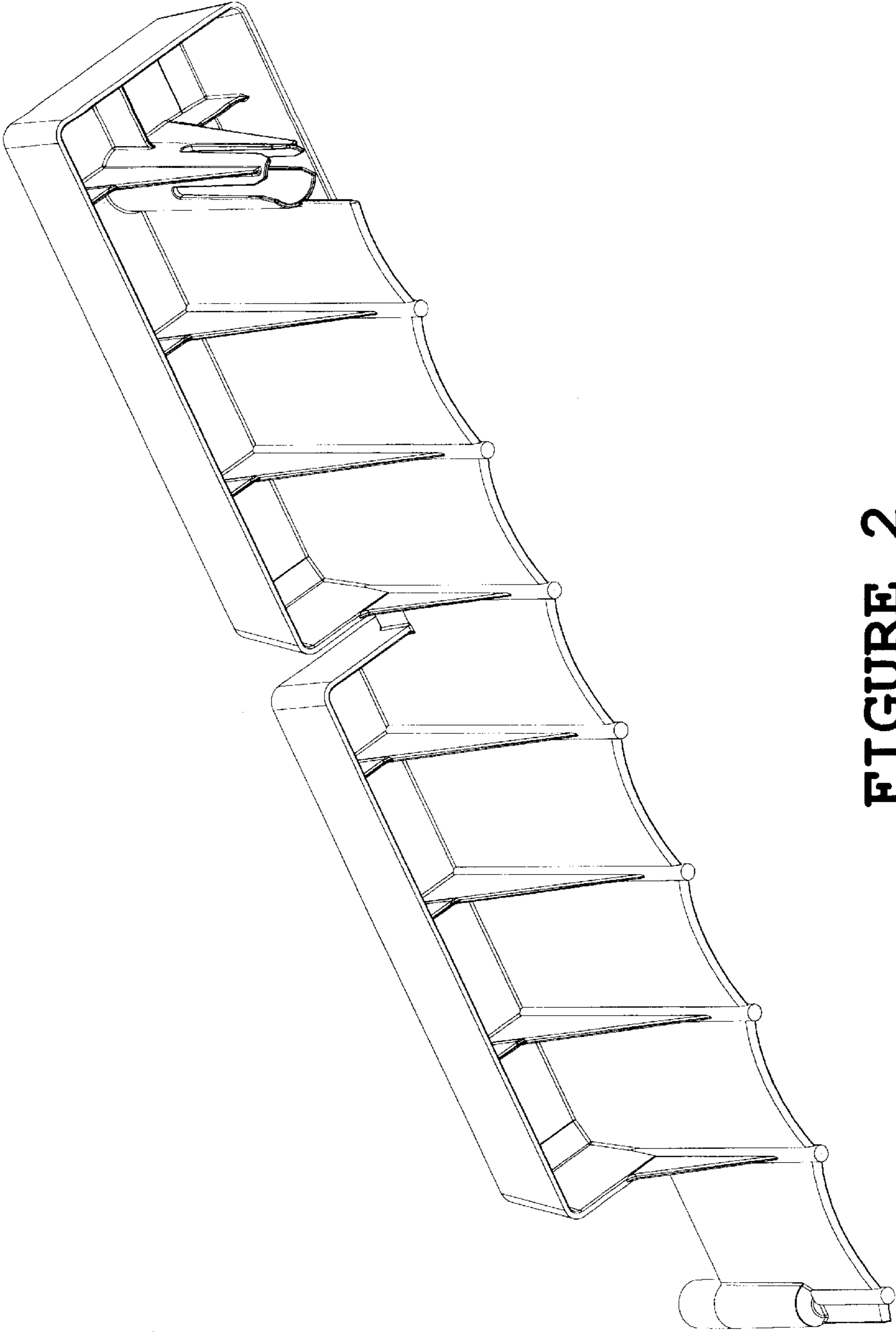


FIGURE 2

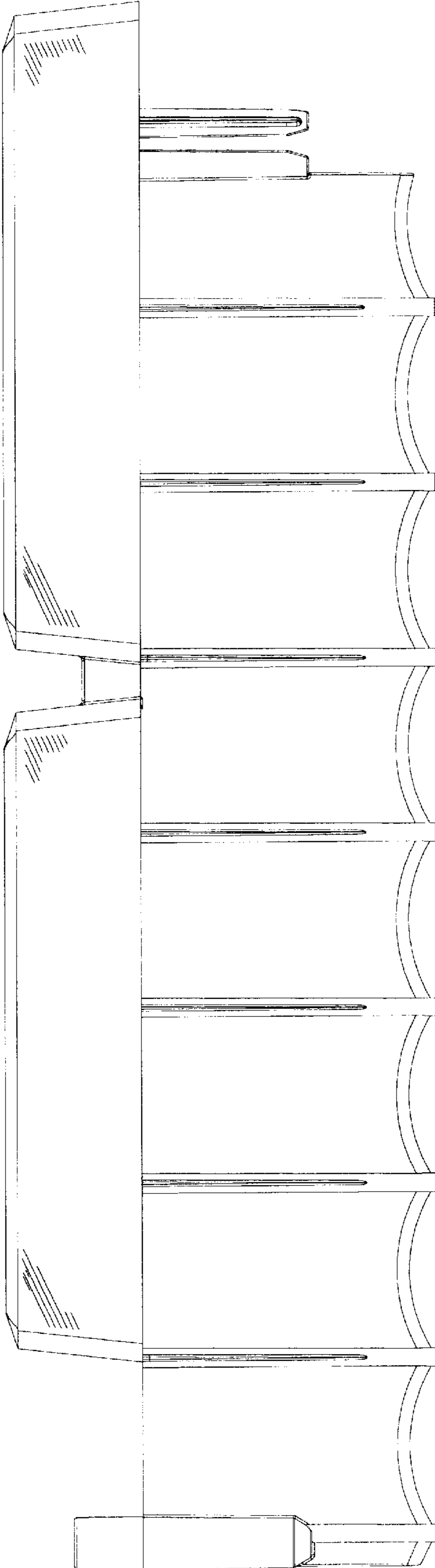


FIGURE 3

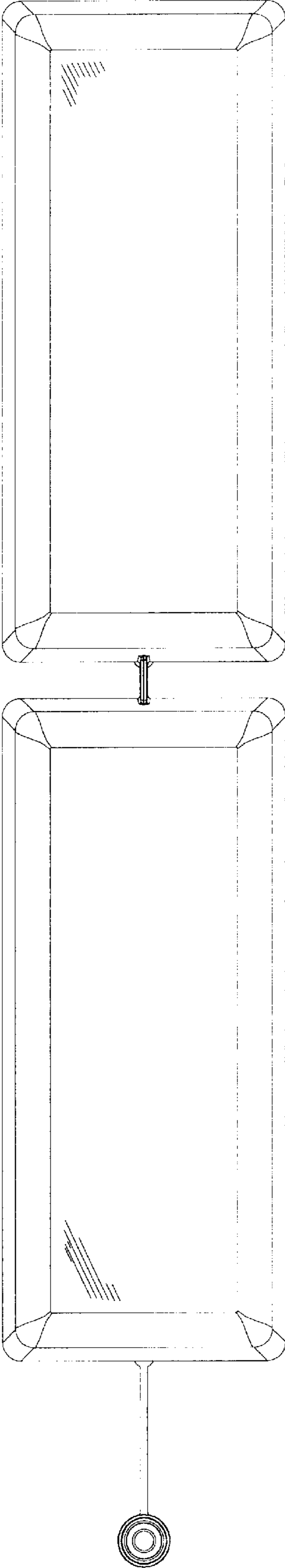


FIGURE 4

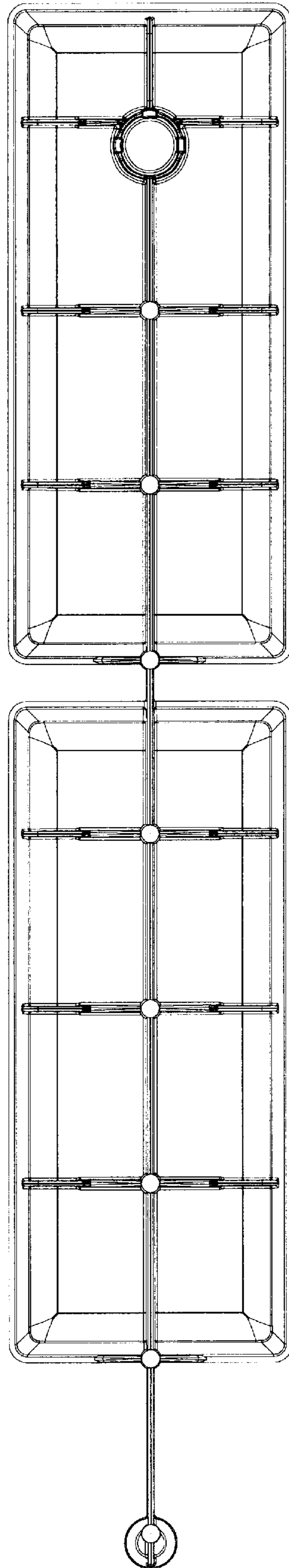


FIGURE 5

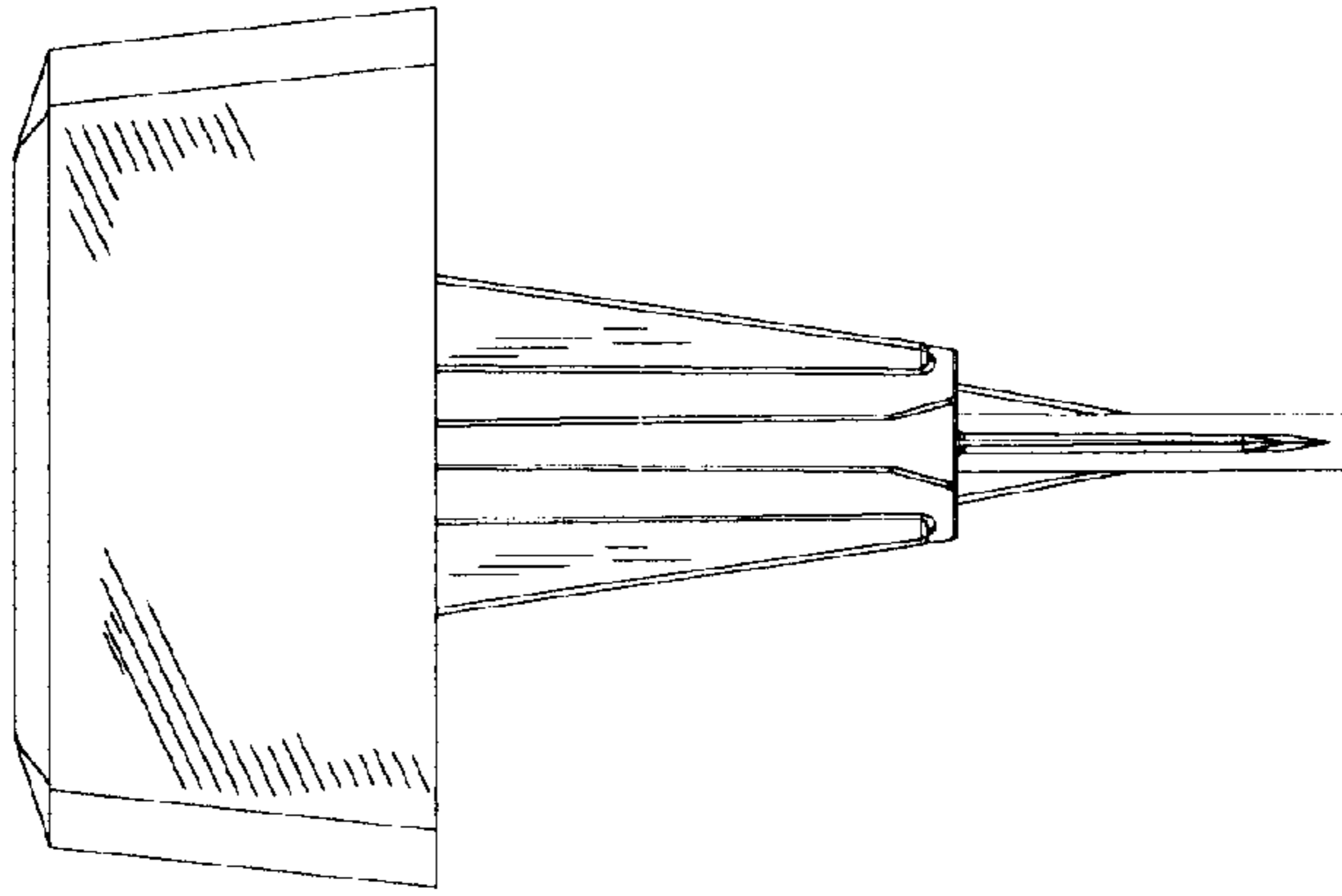


FIGURE 7

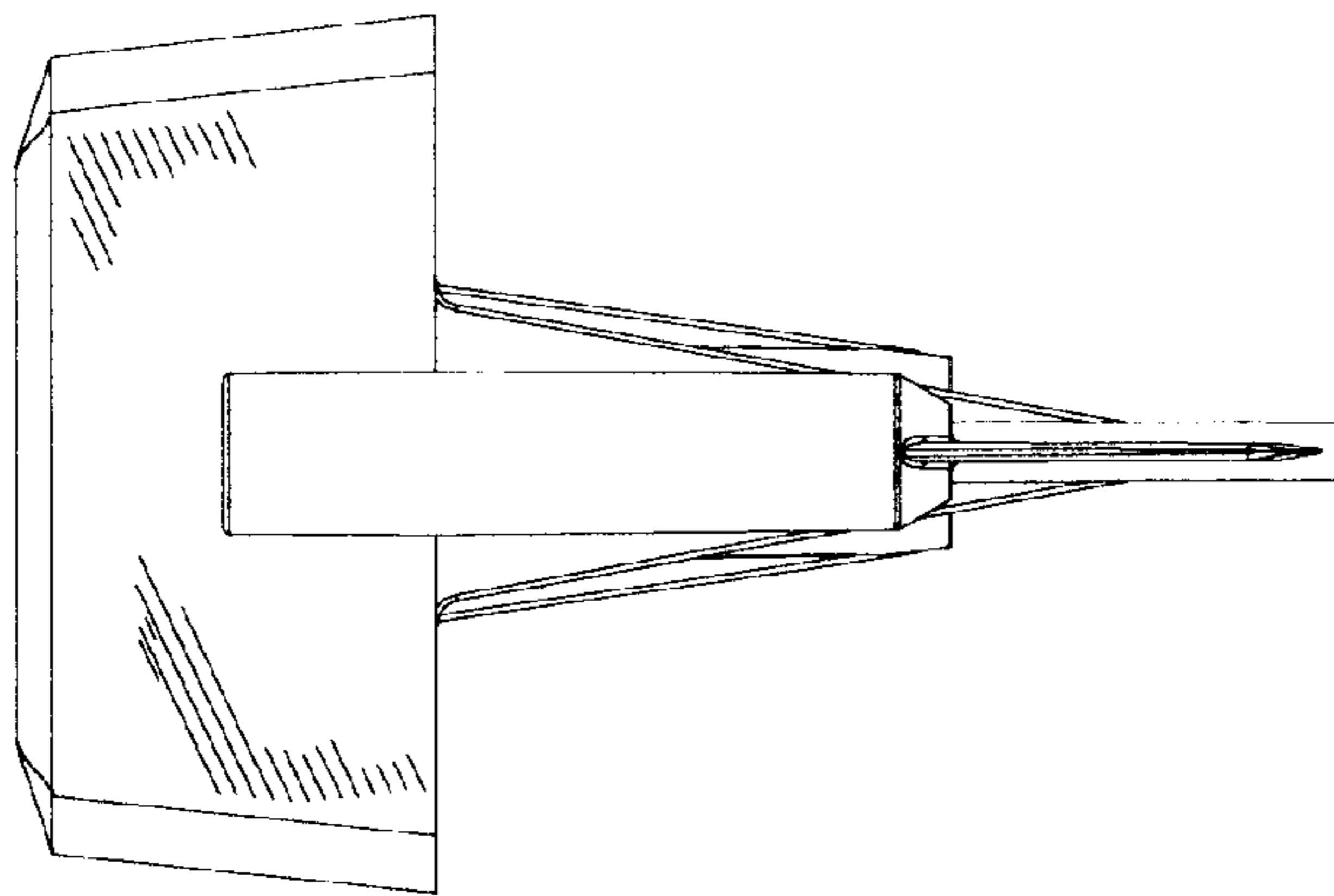


FIGURE 6