

US00D513072S

(12) **United States Design Patent** (10) **Patent No.:** **US D513,072 S**
Berg (45) **Date of Patent:** **** Dec. 20, 2005**

(54) **PART IN A VENTILATION SYSTEM**

(75) Inventor: **Ola Berg**, Förslöv (SE)

(73) Assignee: **Lindab AB**, Bastad (SE)

(**) Term: **14 Years**

(21) Appl. No.: **29/187,104**

(22) Filed: **Jul. 28, 2003**

(30) **Foreign Application Priority Data**

Jan. 29, 2003 (SE) 03-0113

(51) **LOC (6) Cl.** **23-04**

(52) **U.S. Cl.** **D23/386**

(58) **Field of Search** D23/262, 263,
D23/269, 259, 266, 391, 394, 354, 369,
381, 382, 329, 386-389, 392-393, 499,
148, 327, 328, 341; 454/903, 243, 228-236,
906, 271, 273, 278, 133, 224, 250, 290;
285/133.3, 133.6, 143.1, 148.22, 148.23,
148.24, 148.25, 189, 197-200, 332, 332.1,
334.1, 405, 334.5, 424, 47, 123.15, 123.16,
110, 374, 347, 232-234, 123.1, 129.2, 131.1,
132.1; 126/110, 285, 152, 163, 160; 110/217,
268, 298, 299, 163, 349; D12/192, 195

(56) **References Cited**

U.S. PATENT DOCUMENTS

1,685,701 A * 9/1928 Blanchard 454/906
3,749,425 A * 7/1973 Howland 285/332.1
4,606,706 A * 8/1986 Utter 417/313

D362,902 S * 10/1995 Reiber D23/269
D363,115 S * 10/1995 Lennartsson D23/263
D363,771 S * 10/1995 Mathers D23/269
D383,053 S * 9/1997 Schrader et al. D8/382
D447,223 S * 8/2001 Mattsson et al. D23/269
D475,130 S * 5/2003 Stout, Jr. D23/393
D475,447 S * 6/2003 Stout, Jr. D23/393
D488,859 S * 4/2004 Stout, Jr. D23/393

OTHER PUBLICATIONS

Extract (p. 58) from Brochure entitled *Ventilation 2000 / Manual and catalogue for the Lindab ventilation product programme* issued by Lindab AB, SW-269 82 Bastad, Sweden, (3 pages), 2000.

* cited by examiner

Primary Examiner—Robert M. Spear
Assistant Examiner—Susan Bennett Hattan
(74) *Attorney, Agent, or Firm*—Weingarten, Schurgin,
Gagnebin & Lebovici LLP

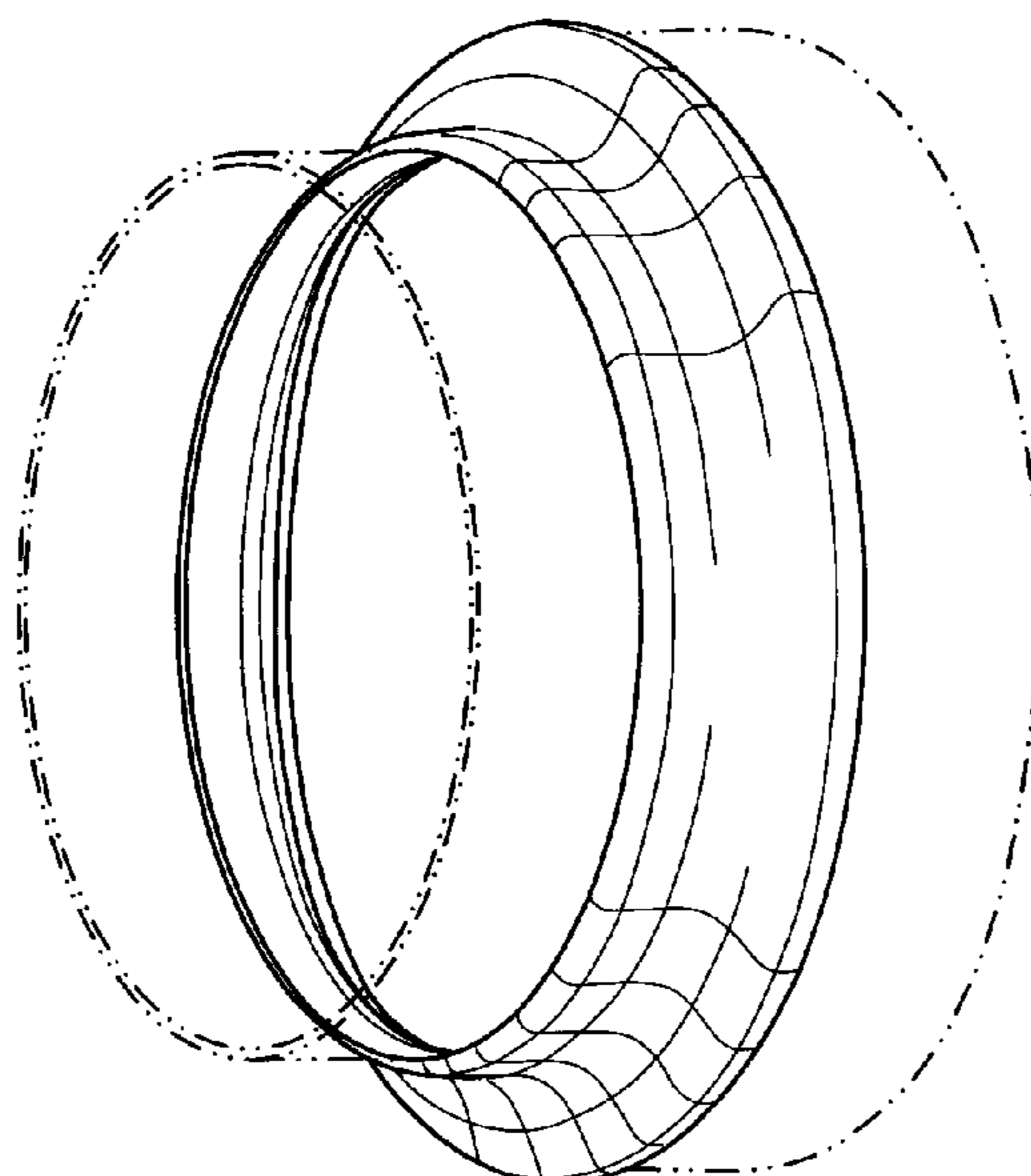
(57) **CLAIM**

The ornamental design for part in a ventilation system, as shown and described.

DESCRIPTION

FIG. 1 is a perspective view of a part in a ventilation system showing my new design;
FIG. 2 is a perspective view thereof; and,
FIG. 3 is a right side elevational view thereof.
The component shown with broken lines is not considered to be a part of the claimed design.

1 Claim, 1 Drawing Sheet



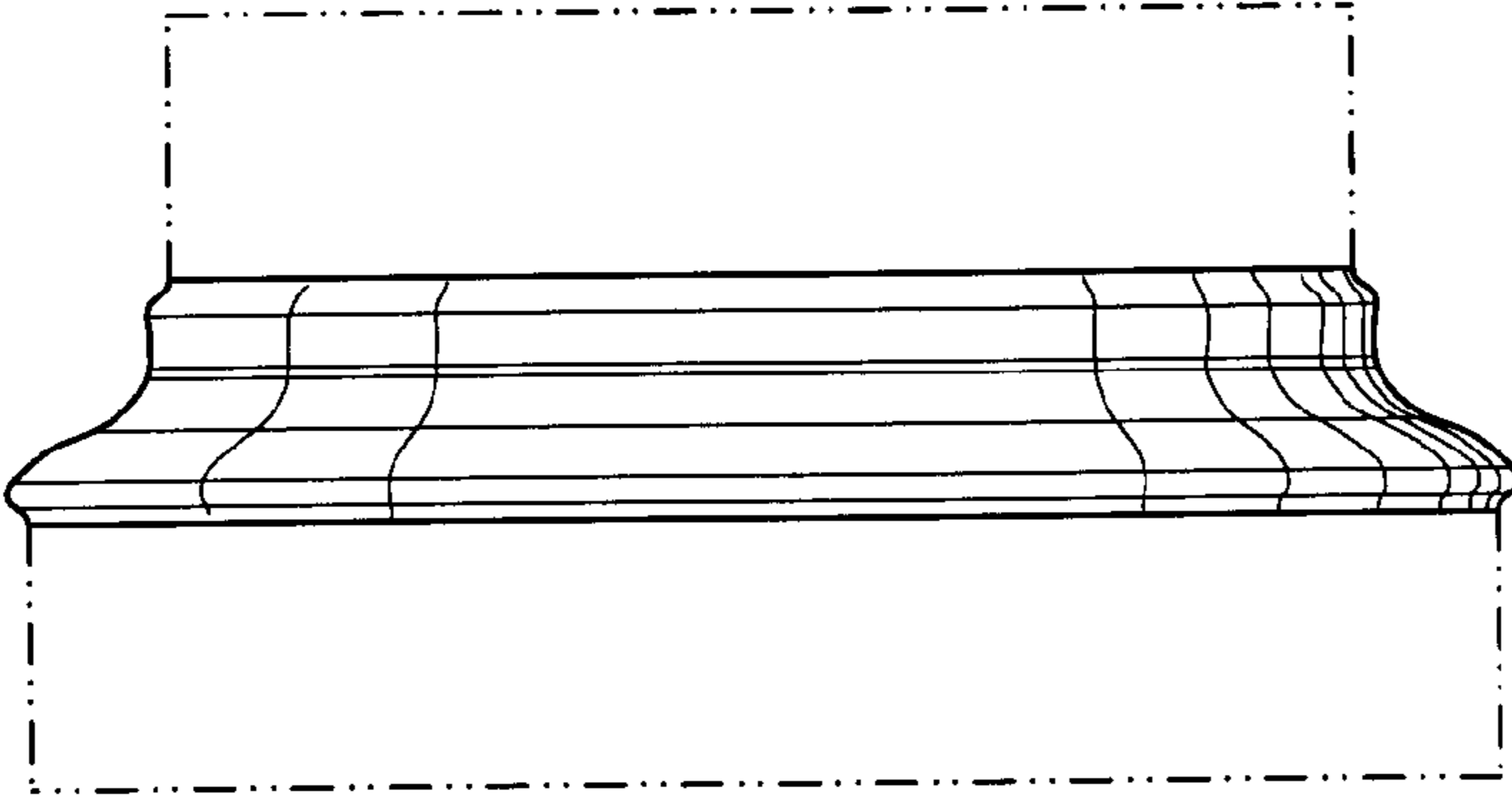


FIG. 3

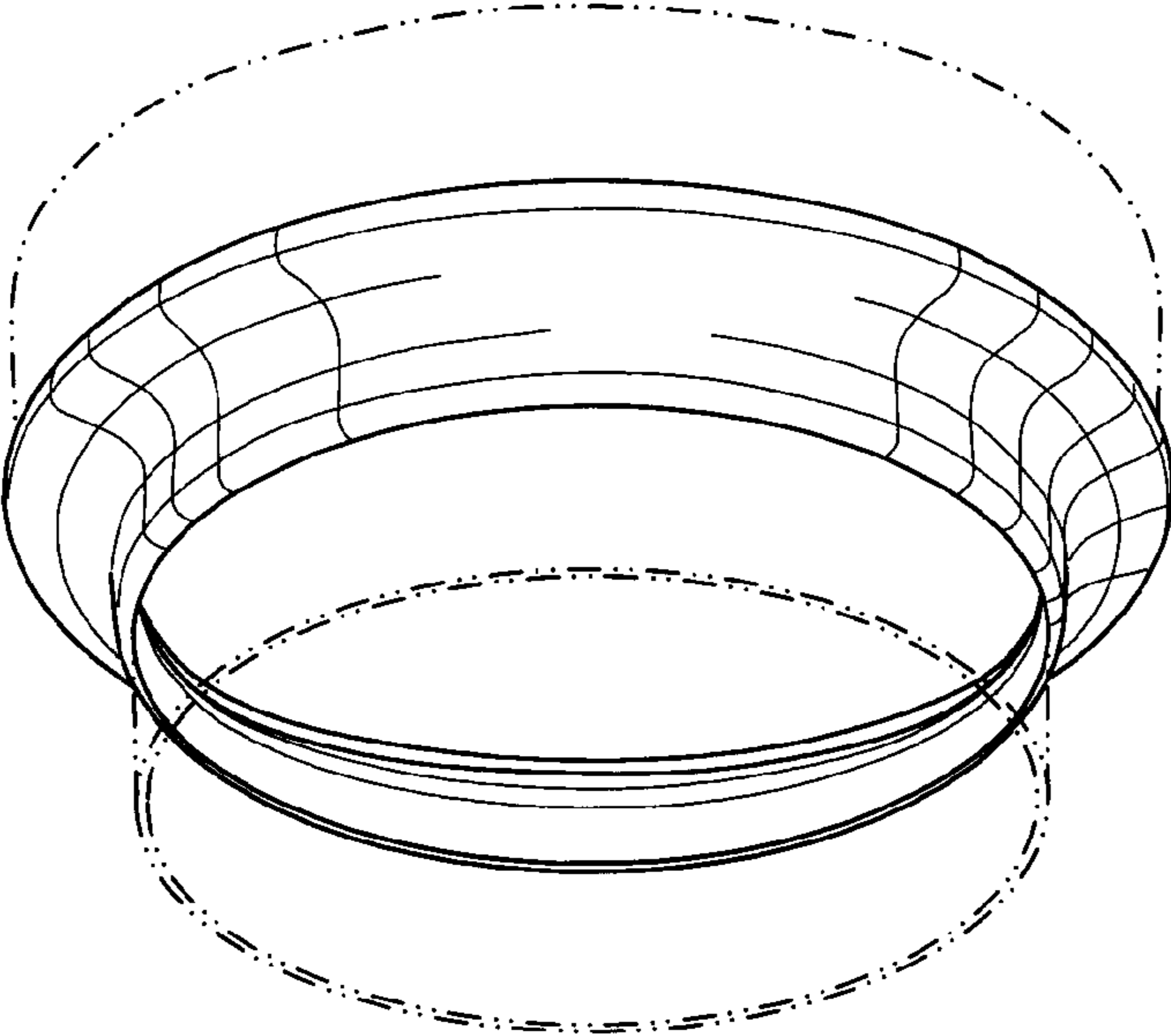


FIG. 2

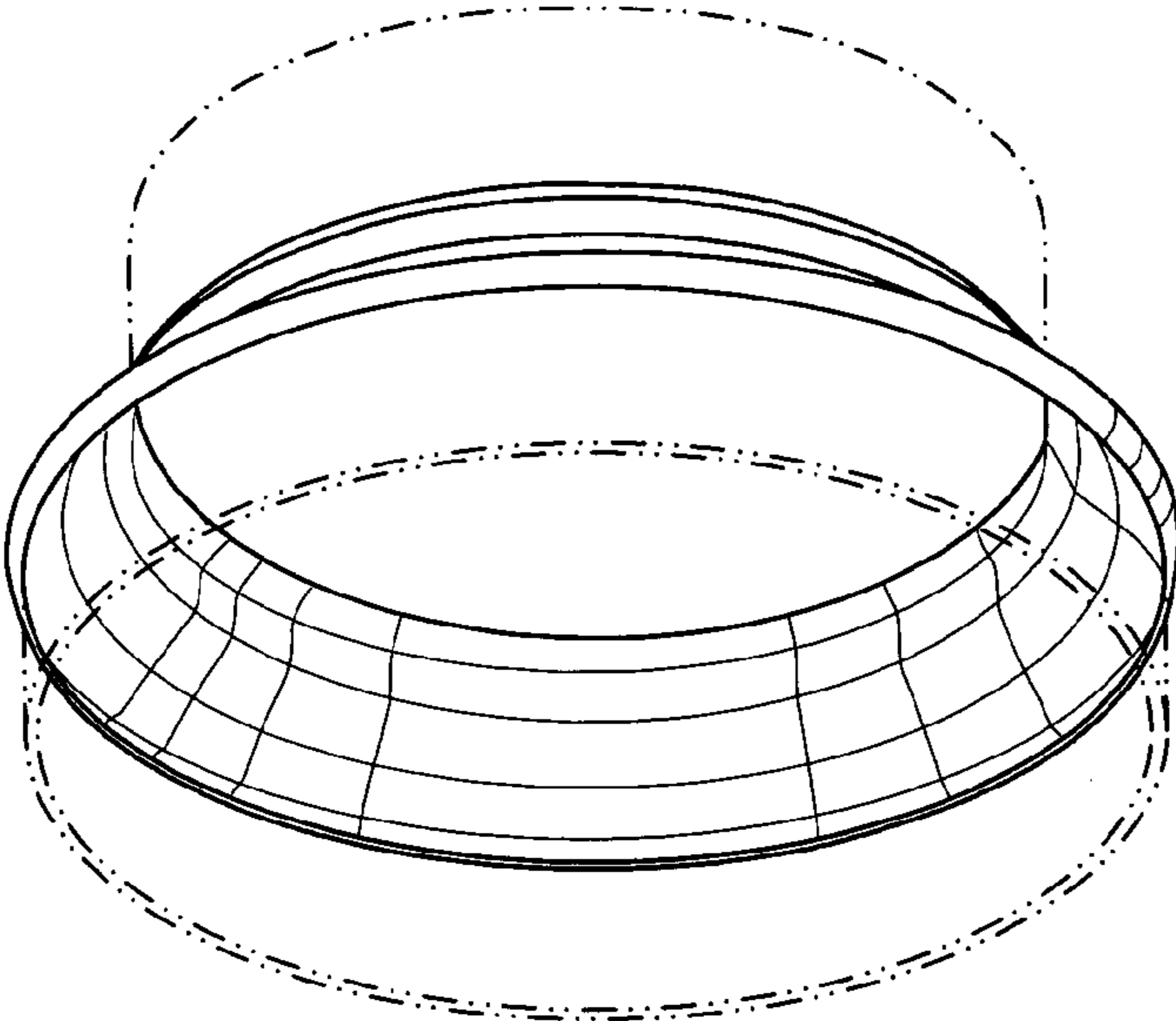


FIG. 1