



US00D513070S

(12) **United States Design Patent**
Haranaka

(10) **Patent No.:** **US D513,070 S**

(45) **Date of Patent:** **** Dec. 20, 2005**

(54) **SILVER ION GENERATOR**

(75) Inventor: **Akira Haranaka**, Osaka-fu (JP)

(73) Assignee: **Sharp Kabushiki Kaisha**, Osaka (JP)

(**) Term: **14 Years**

(21) Appl. No.: **29/211,173**

(22) Filed: **Aug. 12, 2004**

(30) **Foreign Application Priority Data**

Feb. 13, 2004 (JP) 2004-003667

(51) **LOC (6) Cl.** **23-04**

(52) **U.S. Cl.** **D23/355**

(58) **Field of Search** D23/355, 364,
D23/365, 356; 261/DIG. 65; 422/186.03;
361/230

(56) **References Cited**

U.S. PATENT DOCUMENTS

5,124,132 A * 6/1992 Francis et al. 422/186.07
5,880,916 A * 3/1999 Hsieh 361/230

D472,625 S * 4/2003 Sekoguchi et al. D23/355
D481,785 S * 11/2003 Koike D23/355
D482,108 S * 11/2003 Koike D23/355
D495,409 S * 8/2004 Ke D23/355
D501,919 S * 2/2005 Hsin-mao D23/364

* cited by examiner

Primary Examiner—Robin V. Taylor

(74) *Attorney, Agent, or Firm*—Nixon & Vanderhye P.C.

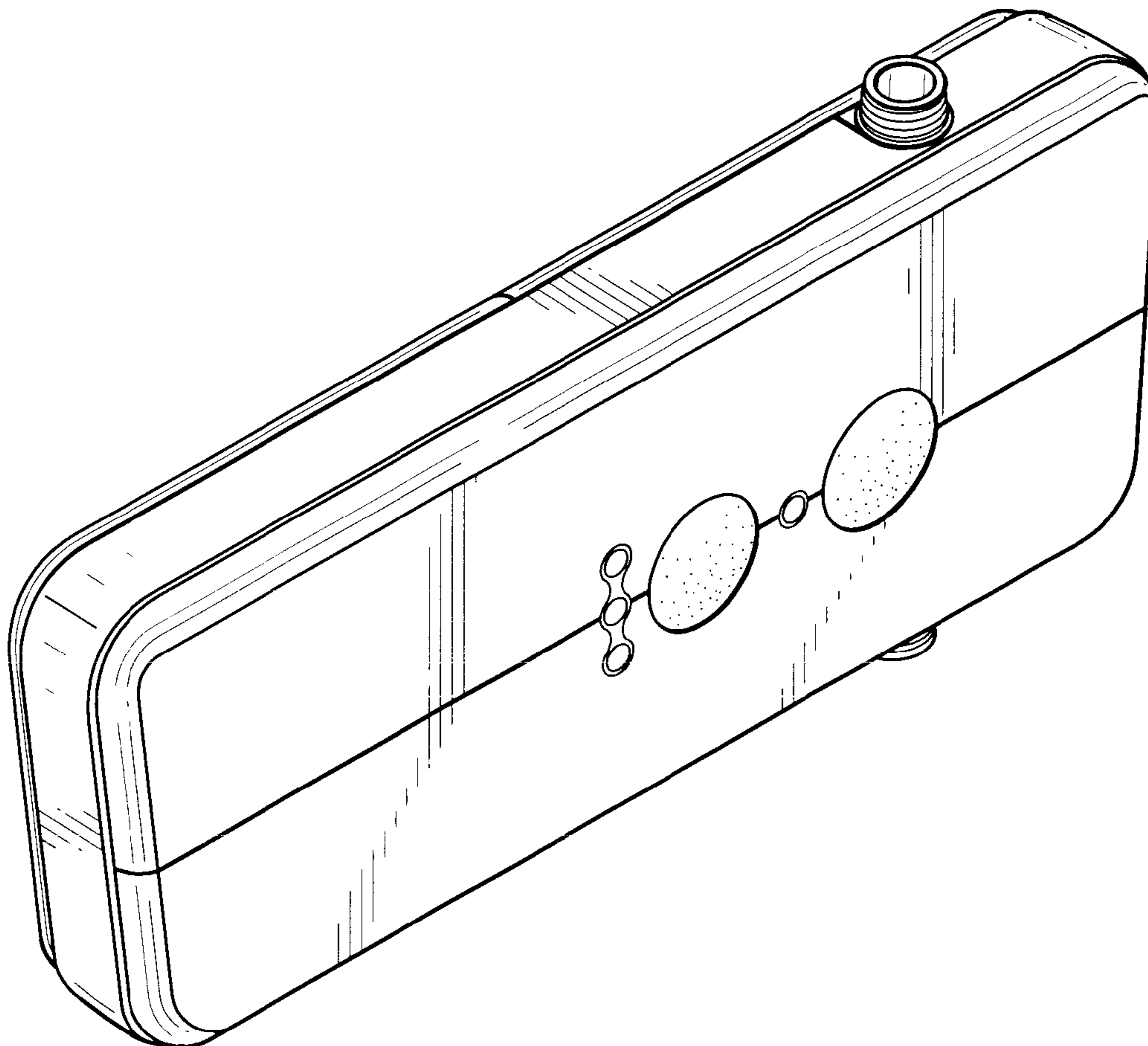
(57) **CLAIM**

The ornamental design for a “silver ion generator,” as shown and described.

DESCRIPTION

FIG. 1 is a top, front and left side perspective view of a silver ion generator according to my design;
FIG. 2 is a front elevational view thereof;
FIG. 3 is a rear elevational view thereof;
FIG. 4 is a top plan view thereof;
FIG. 5 is a bottom plan view thereof;
FIG. 6 is a right side elevational view thereof; and,
FIG. 7 is a left side elevational view thereof.

1 Claim, 5 Drawing Sheets



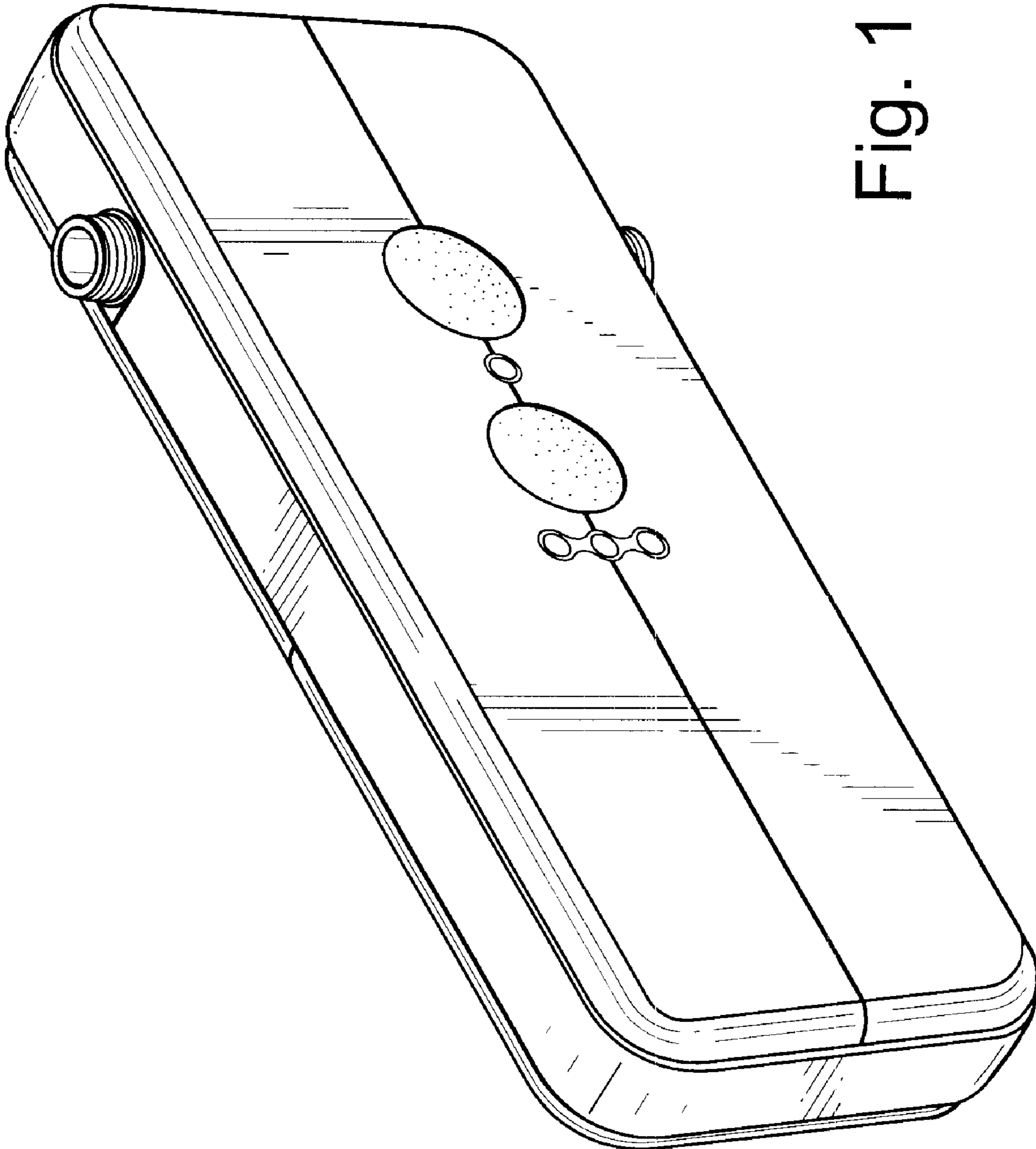


Fig. 1

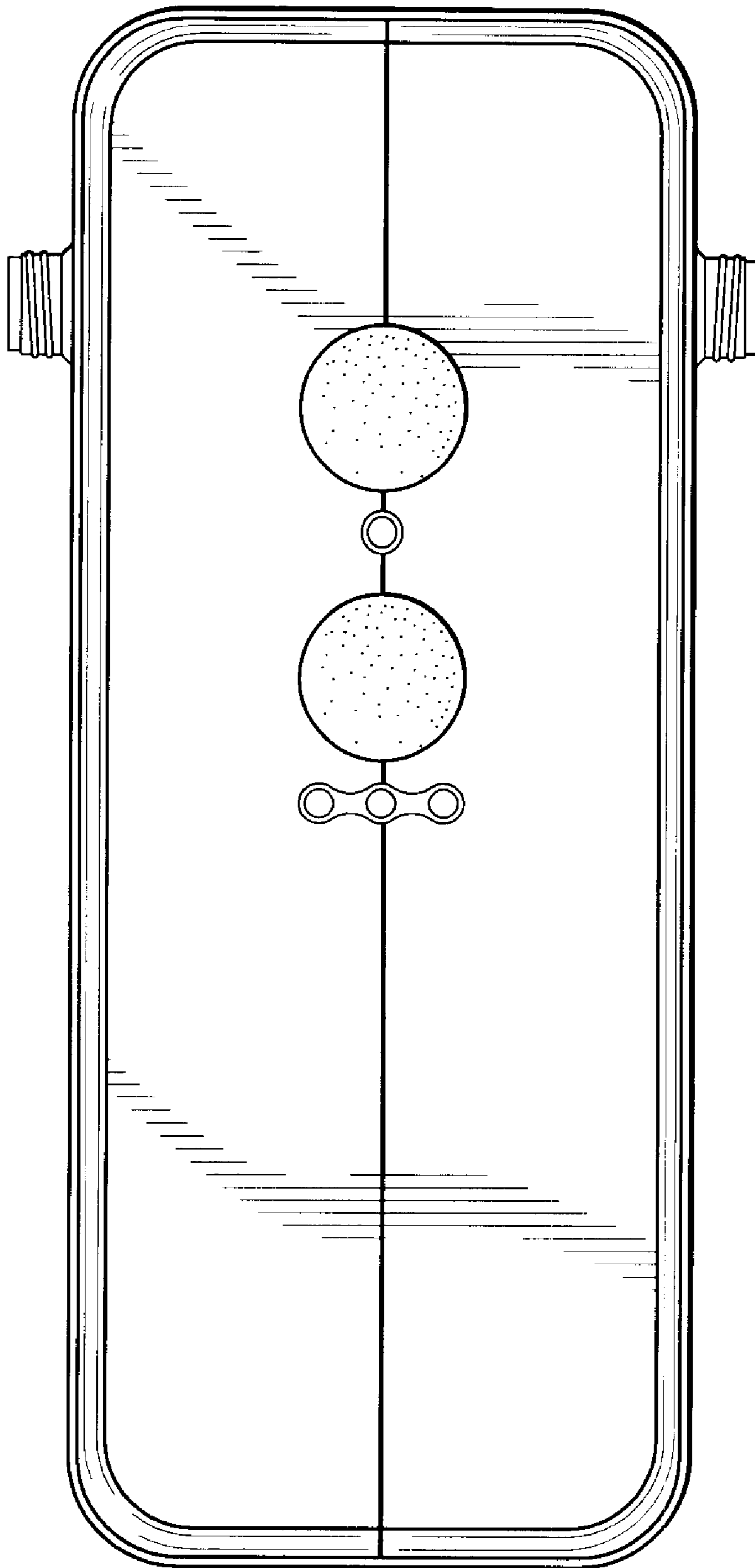


Fig. 2

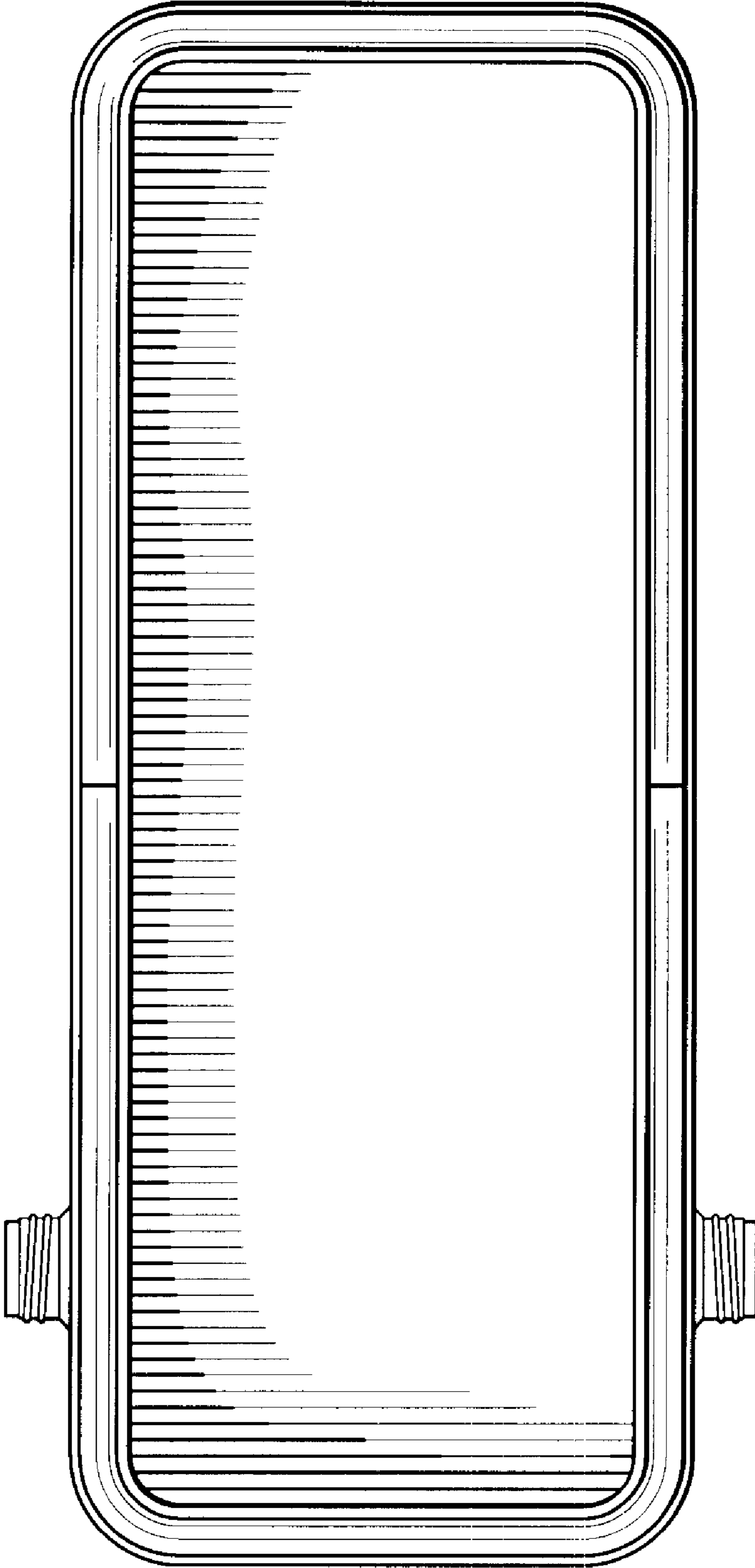


Fig. 3

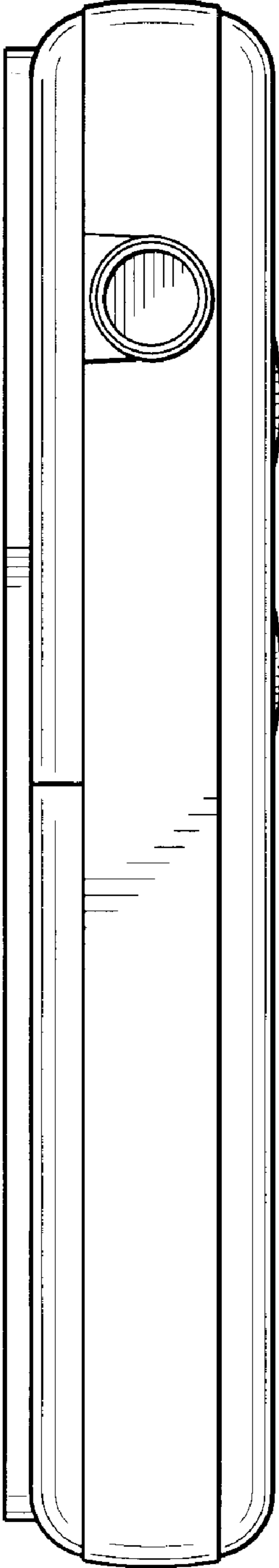


Fig. 4

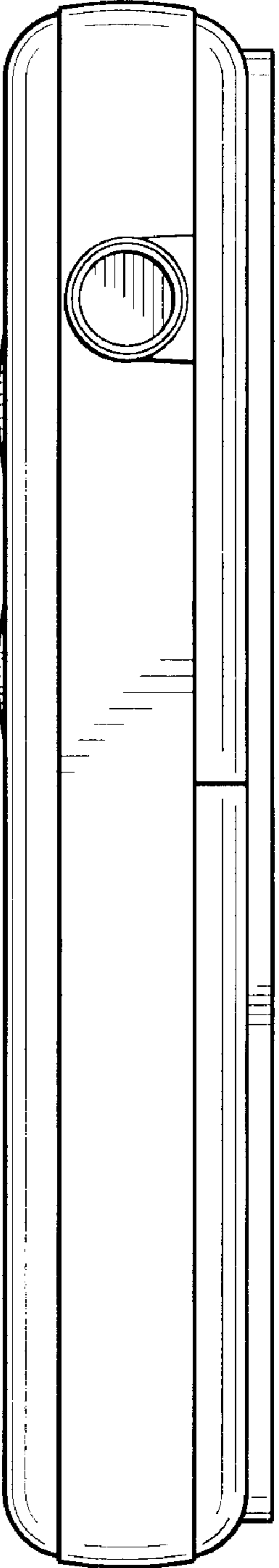


Fig. 5

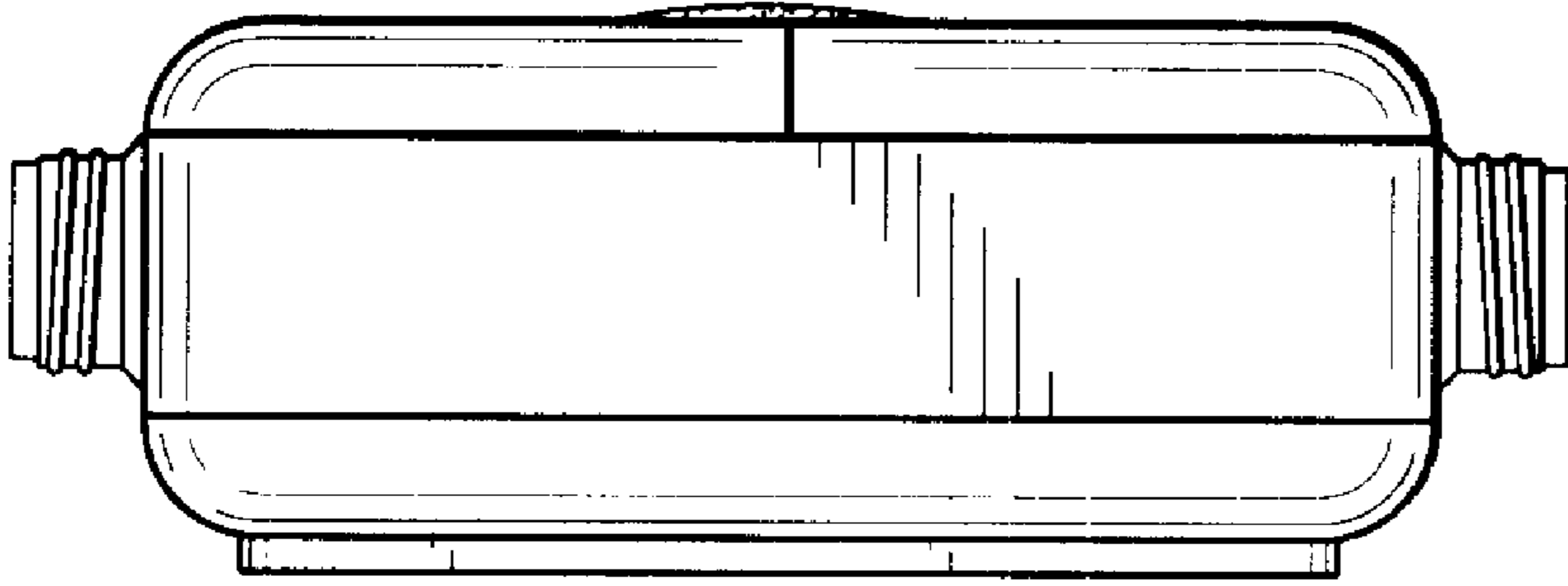


Fig. 7

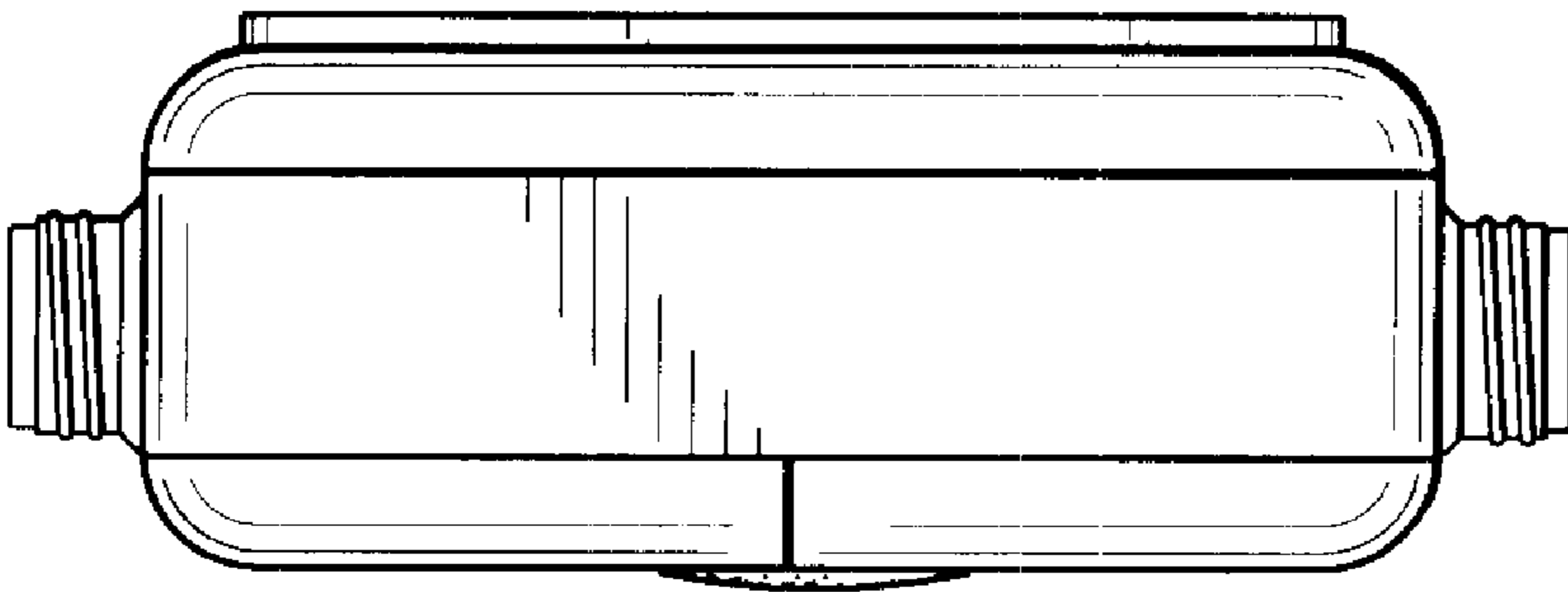


Fig. 6