



US00D513065S

(12) **United States Design Patent**
Luong

(10) **Patent No.:** **US D513,065 S**
(45) **Date of Patent:** **** Dec. 20, 2005**

(54) **SPLASH SHIELD**

(76) **Inventor:** **Roger Luong**, 8 Torrens Street, Canley Heights (AU), 2166

(**) **Term:** **14 Years**

(21) **Appl. No.:** **29/194,850**

(22) **Filed:** **Dec. 2, 2003**

(30) **Foreign Application Priority Data**

Jun. 2, 2003 (AU) 1823/2003

(51) **LOC (6) Cl.** **23-02**

(52) **U.S. Cl.** **D23/307; D7/406**

(58) **Field of Search** D23/270, 273,
D23/277-279, 303-308; 4/553, 580, 584,
654-655, DIG. 18; D7/587, 550.1, 554.3,
406, 407; D12/425; D32/56, 74; 211/88.01,
135, 119.003, 126.16, 88.02

(56) **References Cited**

U.S. PATENT DOCUMENTS

D122,011 S * 8/1940 Erickson 211/135
D175,295 S * 8/1955 Caldwell D7/406
D176,637 S * 1/1956 Sivertson 211/88.01
2,933,360 A * 4/1960 Sitler 211/135
D239,316 S * 3/1976 Smith D7/554.3
4,155,312 A * 5/1979 Thorkildson 211/88.02

4,491,226 A * 1/1985 Marschak 211/135
4,506,790 A * 3/1985 Muscari 211/135
D325,249 S * 4/1992 Kliebert D23/308
D329,280 S * 9/1992 Draucek, Sr. D23/308
D338,685 S * 8/1993 Dakich D32/74
D420,851 S * 2/2000 Wagner et al. D7/407
D441,604 S * 5/2001 Valdez D7/406

* cited by examiner

Primary Examiner—Robert A. Delehanty

(74) *Attorney, Agent, or Firm*—Fulbright & Jaworski LLP

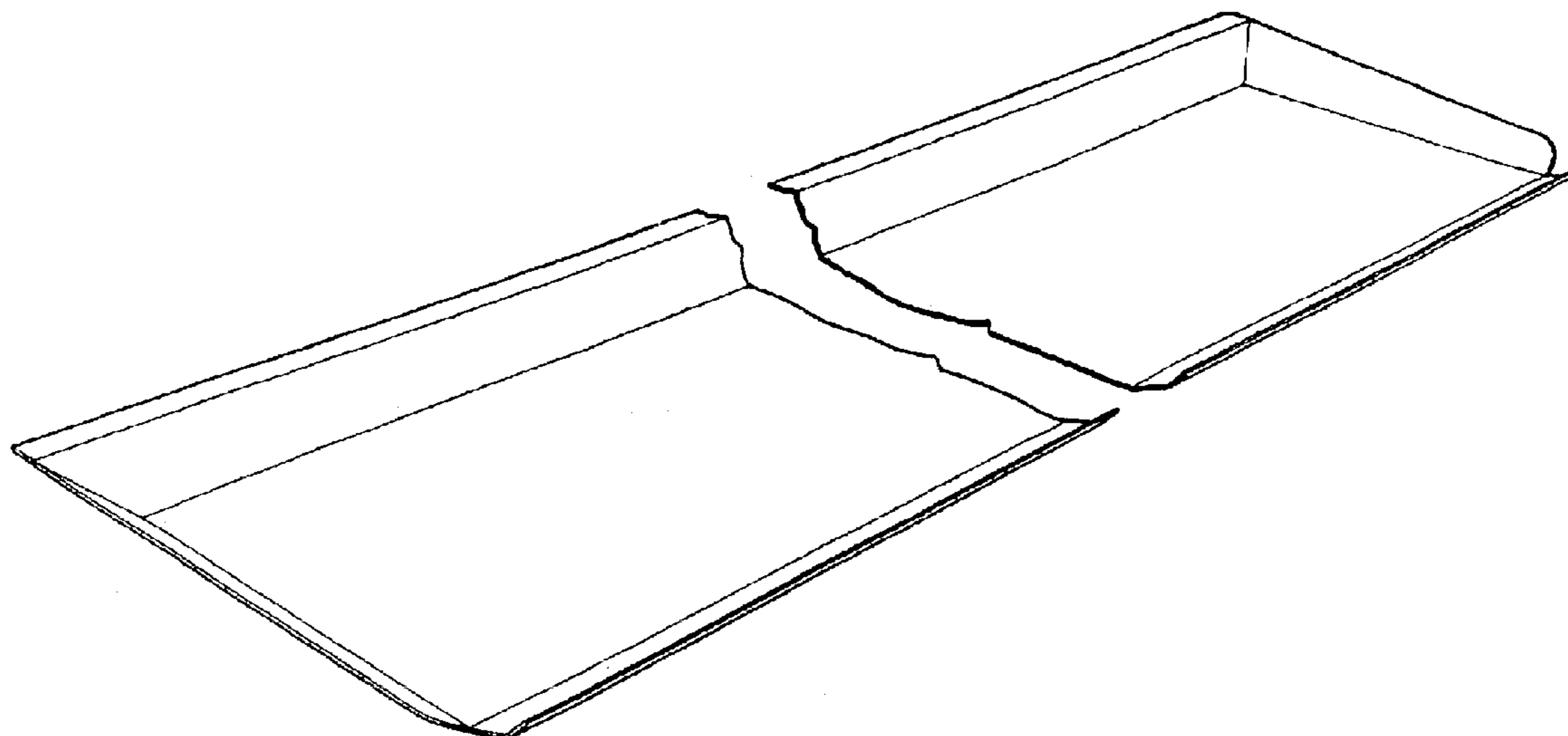
(57) **CLAIM**

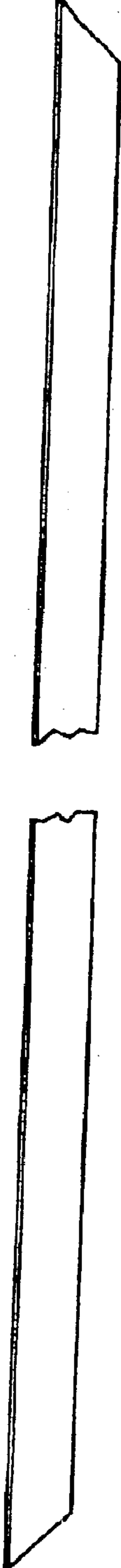
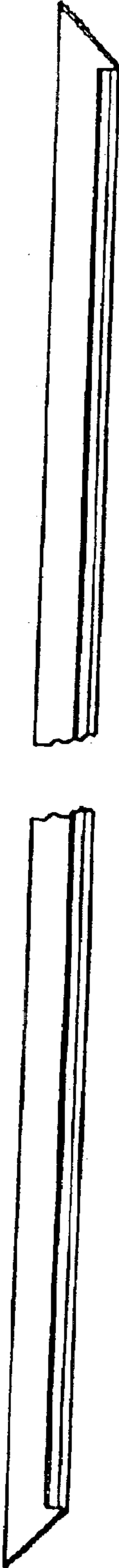
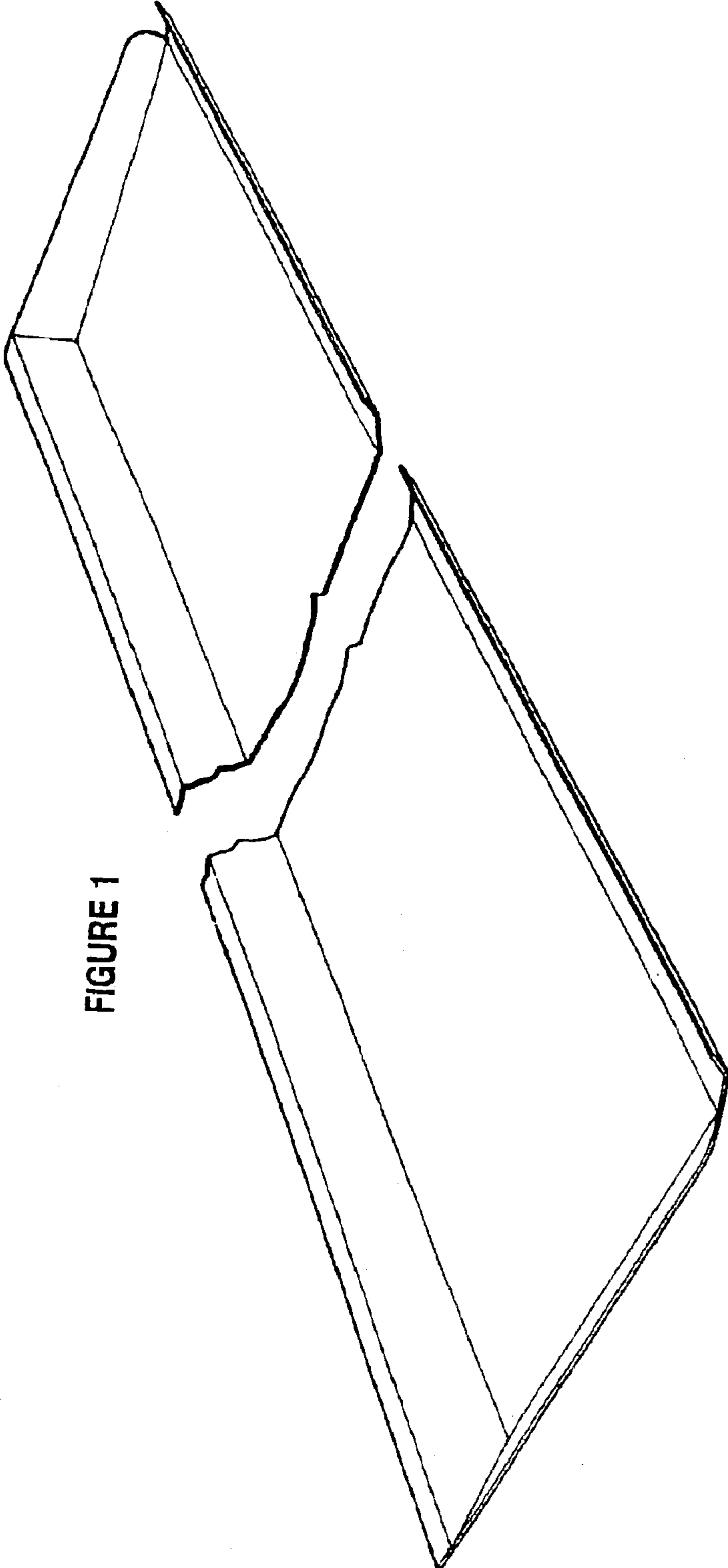
The ornamental design for splash shield, as shown and described.

DESCRIPTION

FIG. 1 is a perspective view of the design of a splash shield which is of indefinite length;
FIG. 2 is a front view thereof;
FIG. 3 is a rear view thereof;
FIG. 4 is an inverted plan view thereof;
FIG. 5 is a sectional view taken along line A—A of FIG. 7 thereof;
FIG. 6 is a sectional view taken along line B—B of FIG. 7 thereof;
FIG. 7 is a plan view thereof; and,
FIG. 8 is a right side view, the left side being a mirror image.

1 Claim, 3 Drawing Sheets





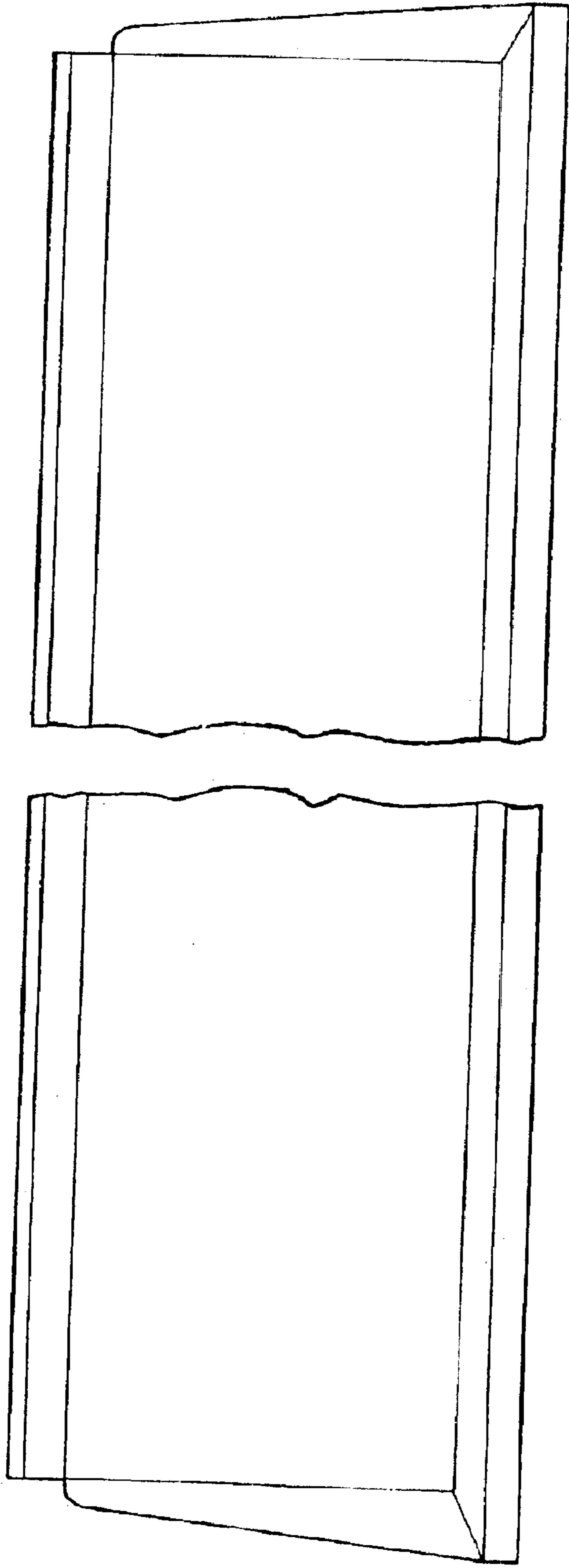


FIGURE 4



FIGURE 5

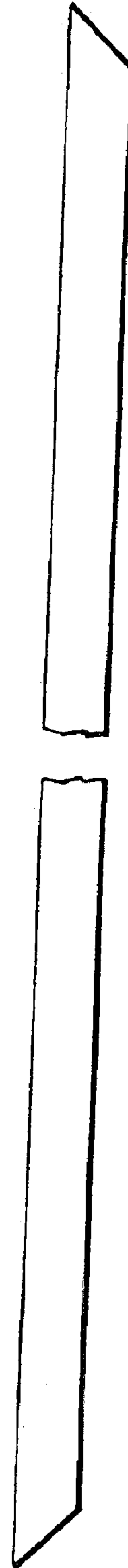


FIGURE 6

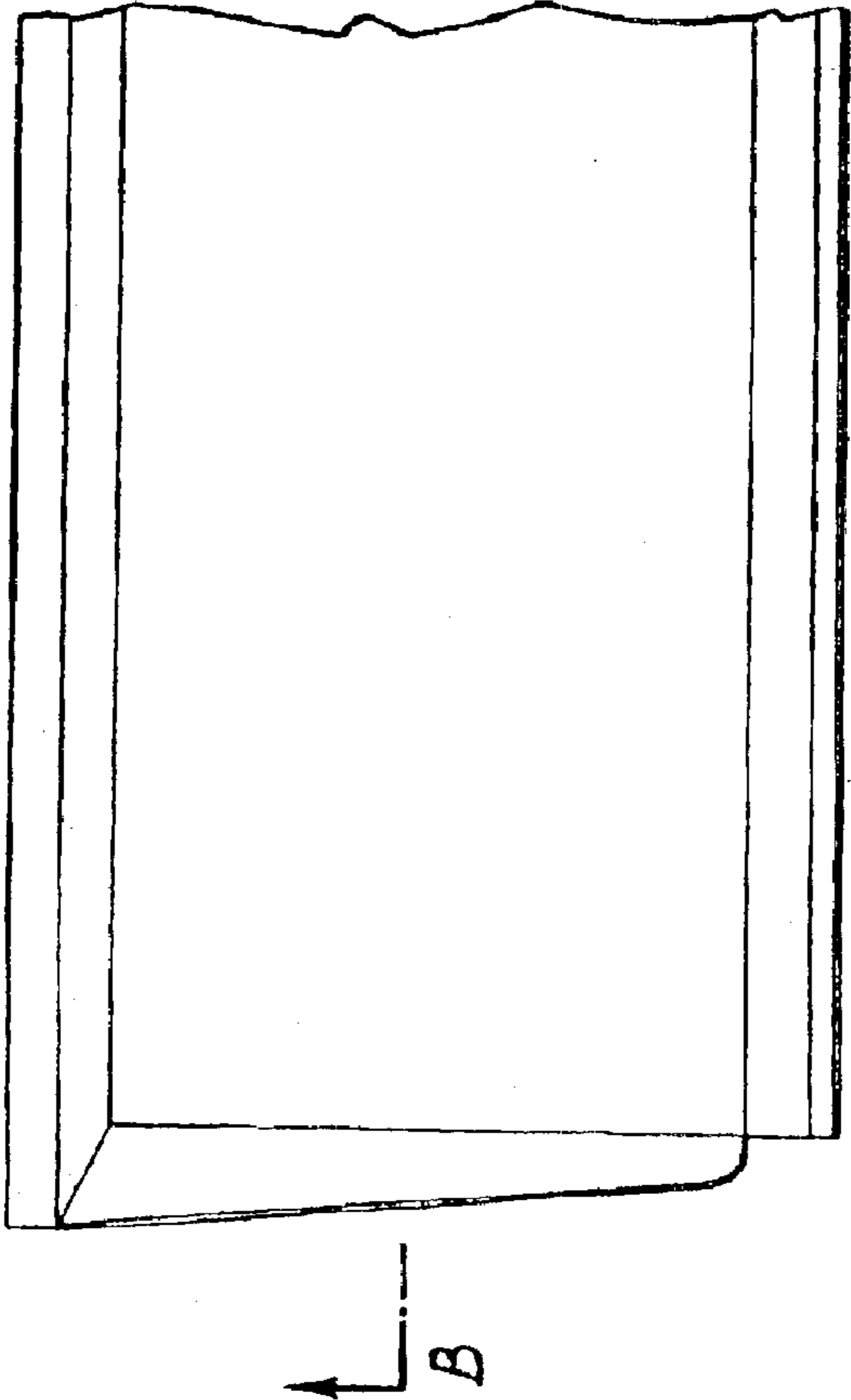
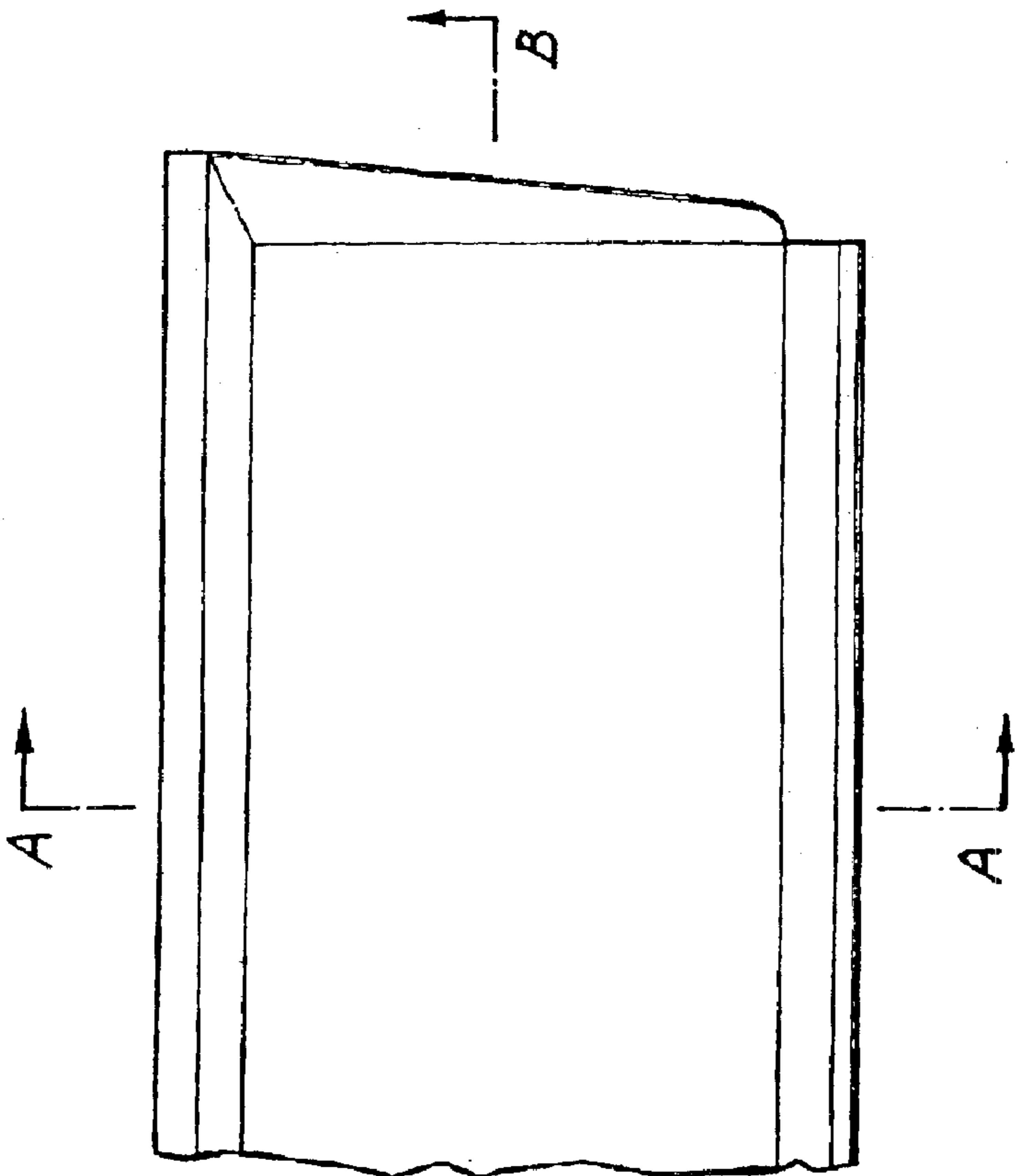


FIGURE 7



FIGURE 8