



US00D513062S

(12) **United States Design Patent**
Panis

(10) **Patent No.:** **US D513,062 S**

(45) **Date of Patent:** **** Dec. 20, 2005**

(54) **HANDLE HUB**

(75) **Inventor:** **Pierre-Yves Panis**, Route de la Treille
(FR)

(73) **Assignee:** **Moen Incorporated**, North Olmsted,
OH (US)

(**) **Term:** **14 Years**

(21) **Appl. No.:** **29/197,538**

(22) **Filed:** **Jan. 16, 2004**

(51) **LOC (6) Cl.** **23-01**

(52) **U.S. Cl.** **D23/249; D23/250; D23/254**

(58) **Field of Search** **D23/238-243,**
D23/245, 250-257; D8/300-322, 350-353,
DIG. 3; 16/110.1; 4/675-678; 137/801

(56) **References Cited**

U.S. PATENT DOCUMENTS

638,611 A	12/1899	Totham
973,143 A	10/1910	Snodgrass
975,663 A	11/1910	Watrous
D49,787 S	10/1916	Van Nostrand
1,293,003 A	2/1919	Bergens
D56,935 S	1/1921	Mueller
D59,399 S	10/1921	Wuesthoff
1,425,478 A	8/1922	Hitchcock
1,607,096 A	11/1926	Mueller
1,647,190 A	11/1927	Mueller
1,669,978 A	5/1928	Gavaza
1,921,525 A	8/1933	Howard
D94,016 S	12/1934	Bost
2,416,581 A	2/1947	Harr
D148,787 S	2/1948	Haldane
D234,953 S	4/1975	Martin
D276,259 S	11/1984	Miller
D285,597 S	9/1986	Miller et al.

D288,835 S	3/1987	Yost
D288,836 S	3/1987	Yost
D288,837 S	3/1987	Yost
D289,318 S	4/1987	Yost
D293,362 S	12/1987	Hill et al.
D325,772 S	4/1992	Carr
D327,531 S	6/1992	Ko
D327,532 S	6/1992	Ko
D334,230 S	3/1993	Bonnell
D340,763 S	10/1993	Bonnell
D348,509 S	7/1994	Bollenbacher
D349,208 S	8/1994	Bollenbacher
D357,305 S	4/1995	Fabian

(Continued)

Primary Examiner—Louis S. Zarfes

Assistant Examiner—Gregory Andoll

(74) *Attorney, Agent, or Firm*—Calfee, Halter & Griswold
LLP

(57) **CLAIM**

The ornamental design for a handle hub, as shown and described.

DESCRIPTION

FIG. 1 is a perspective view of a handle hub including its surrounding environment;

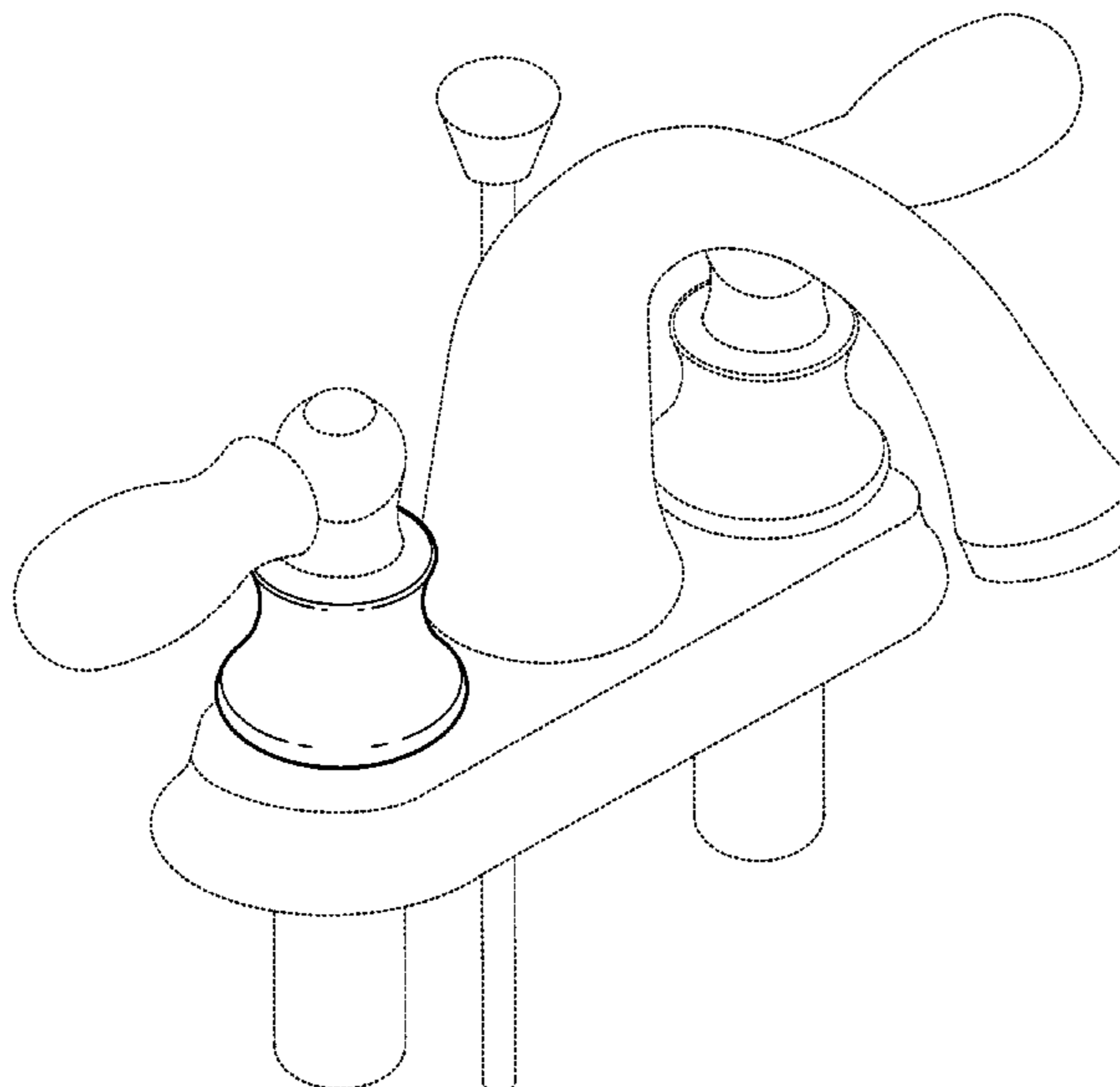
FIG. 2 is a perspective view of the handle hub shown in FIG. 1;

FIG. 3 is a top plan view of the handle hub shown in FIG. 1; and,

FIG. 4 is a left side elevational view of the handle hub shown in FIG. 1, wherein the right side, front, and rear views are the same.

The portions of the Figures shown in phantom lines are not part of the claimed design and are for illustration only.

1 Claim, 2 Drawing Sheets



U.S. PATENT DOCUMENTS

D357,525 S	4/1995	Fabian		D441,430 S	5/2001	Dretzka	
D363,975 S	11/1995	Doughty et al.		D441,843 S	5/2001	Warshawsky et al.	
D366,517 S	1/1996	Doughty et al.		D445,877 S	7/2001	Paredes	
D372,299 S	7/1996	Fabian		D446,573 S	8/2001	Warshawsky et al.	
D372,300 S	7/1996	Fabian		D447,541 S	9/2001	Dretzka	
D377,516 S	1/1997	Doughty et al.		D447,542 S	9/2001	Dretzka	
D378,230 S	2/1997	Doughty et al.		D448,453 S	9/2001	Lord	
D381,404 S	7/1997	Doughty et al.		6,345,643 B1	2/2002	Ko	
D382,629 S	8/1997	Doughty et al.		D456,879 S	5/2002	Doughty et al.	
D384,130 S	9/1997	Doughty et al.		D458,347 S	6/2002	Mullenmeister	
D384,133 S	9/1997	Doughty et al.		D458,989 S	6/2002	Mullenmeister	
D384,394 S	9/1997	Doughty et al.		D460,150 S	7/2002	Rexach	
D384,397 S	9/1997	Doughty et al.		D460,523 S	7/2002	Green et al.	
D384,400 S	9/1997	Doughty et al.		D460,528 S	7/2002	Otero et al.	
D384,402 S	9/1997	Doughty et al.		D460,807 S	7/2002	Singtoroj	
D384,730 S	10/1997	Doughty et al.		D460,808 S	7/2002	Otero et al.	
D385,016 S	10/1997	Doughty et al.		D461,531 S	8/2002	Ouyoung	
5,673,724 A	10/1997	Abel		D461,532 S	8/2002	Ouyoung	
D388,864 S	1/1998	Fabian		D462,745 S	9/2002	Lord	
D390,638 S	2/1998	Ko		D463,008 S	9/2002	Lord	
D390,921 S	2/1998	Steffes et al.		D463,012 S	9/2002	Otero et al.	
D391,351 S	2/1998	Ko		D463,533 S	9/2002	Ko	
D394,699 S	5/1998	Doughty et al.		D464,115 S	10/2002	Lord	
D403,410 S	12/1998	Doughty et al.		D464,404 S	10/2002	Lord	
5,852,848 A	12/1998	Spurgeon		D464,405 S	10/2002	Lord	
D404,467 S	1/1999	Doughty et al.		D465,008 S	10/2002	Lord	
D404,470 S	1/1999	Pitsch et al.		D465,832 S	11/2002	Singtoroj	
D405,160 S	2/1999	Lord		D466,194 S	11/2002	Otero et al.	
D406,876 S	3/1999	Ko		D467,308 S	12/2002	Otero et al.	
D407,143 S	3/1999	Hyde et al.		D467,309 S	12/2002	Otero et al.	
D409,288 S	5/1999	Hyde		D467,314 S	12/2002	Otero	
5,947,149 A	9/1999	Mark		D467,999 S	12/2002	Panis et al.	
D415,825 S	10/1999	Chang et al.		D468,399 S	1/2003	Bouilloux et al.	
D416,608 S	11/1999	Warshawsky et al.		D468,401 S	1/2003	Bates et al.	
D416,981 S	11/1999	Warshawsky et al.		D469,158 S	1/2003	Bouilloux et al.	
D416,982 S	11/1999	Warshawsky et al.		D469,854 S	2/2003	Ouyoung	
D418,580 S	1/2000	Warshawsky et al.		D470,225 S	2/2003	Xie	
D420,102 S	2/2000	Warshawsky et al.		D470,924 S	2/2003	Marshall	
D428,965 S	8/2000	Slothower		D472,607 S	4/2003	Warshawsky et al.	
D430,650 S	9/2000	Graves		D472,610 S	4/2003	Marshall	
D433,732 S	* 11/2000	Lord	D23/249	D475,764 S	6/2003	Singtoroj	
D433,735 S	11/2000	Lord		D475,767 S	* 6/2003	Yegyayan et al.	D23/252
D437,394 S	2/2001	Mark et al.		D476,399 S	6/2003	Panis et al.	
D437,918 S	2/2001	Doughty et al.		D477,056 S	7/2003	Pavlovic	
D438,600 S	* 3/2001	Spangler	D23/249	D477,860 S	7/2003	Singtoroj	
D439,955 S	4/2001	Spangler		D495,402 S	* 8/2004	Spiegelberg et al.	D23/252

* cited by examiner

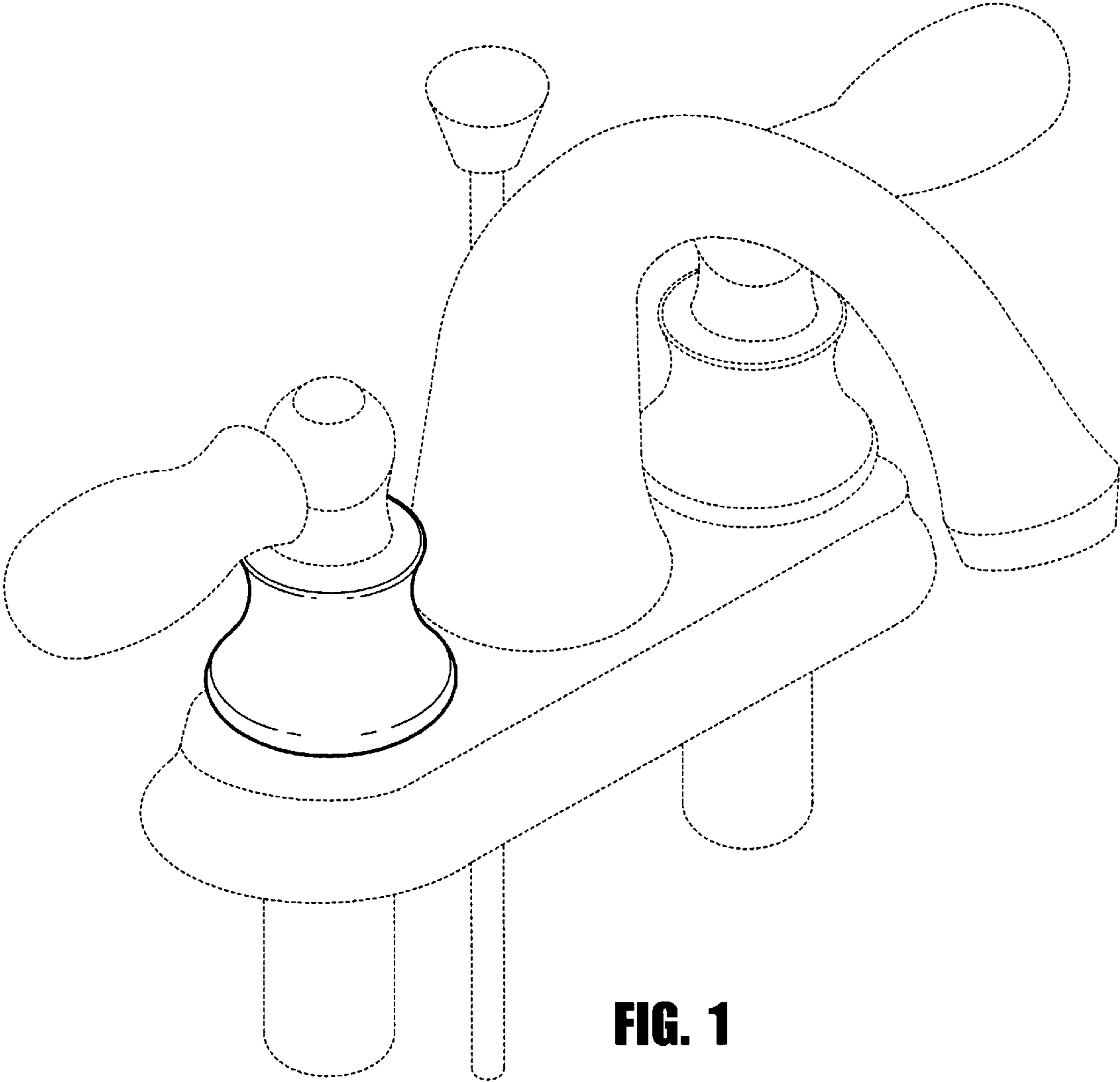


FIG. 1

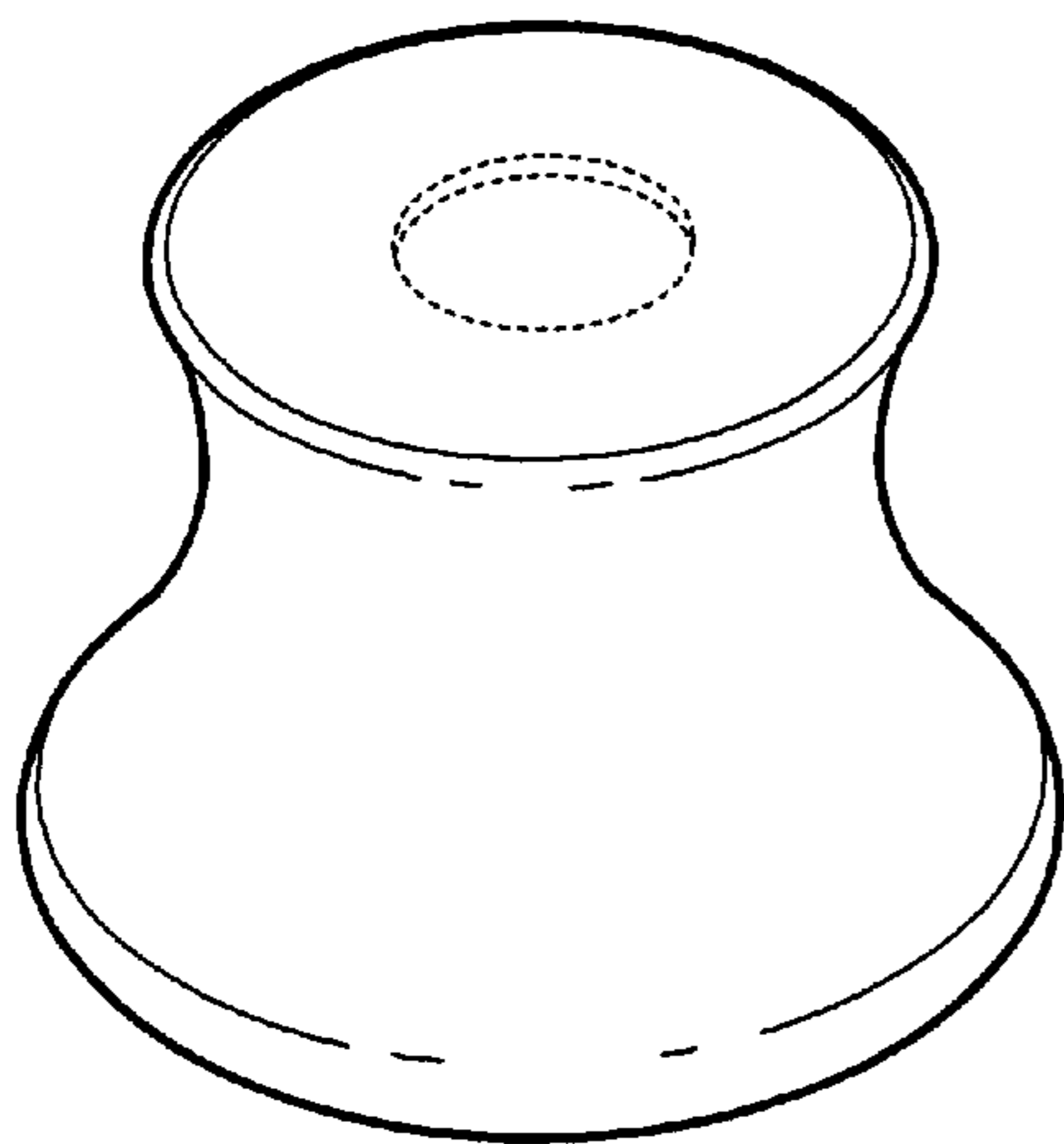


FIG. 2

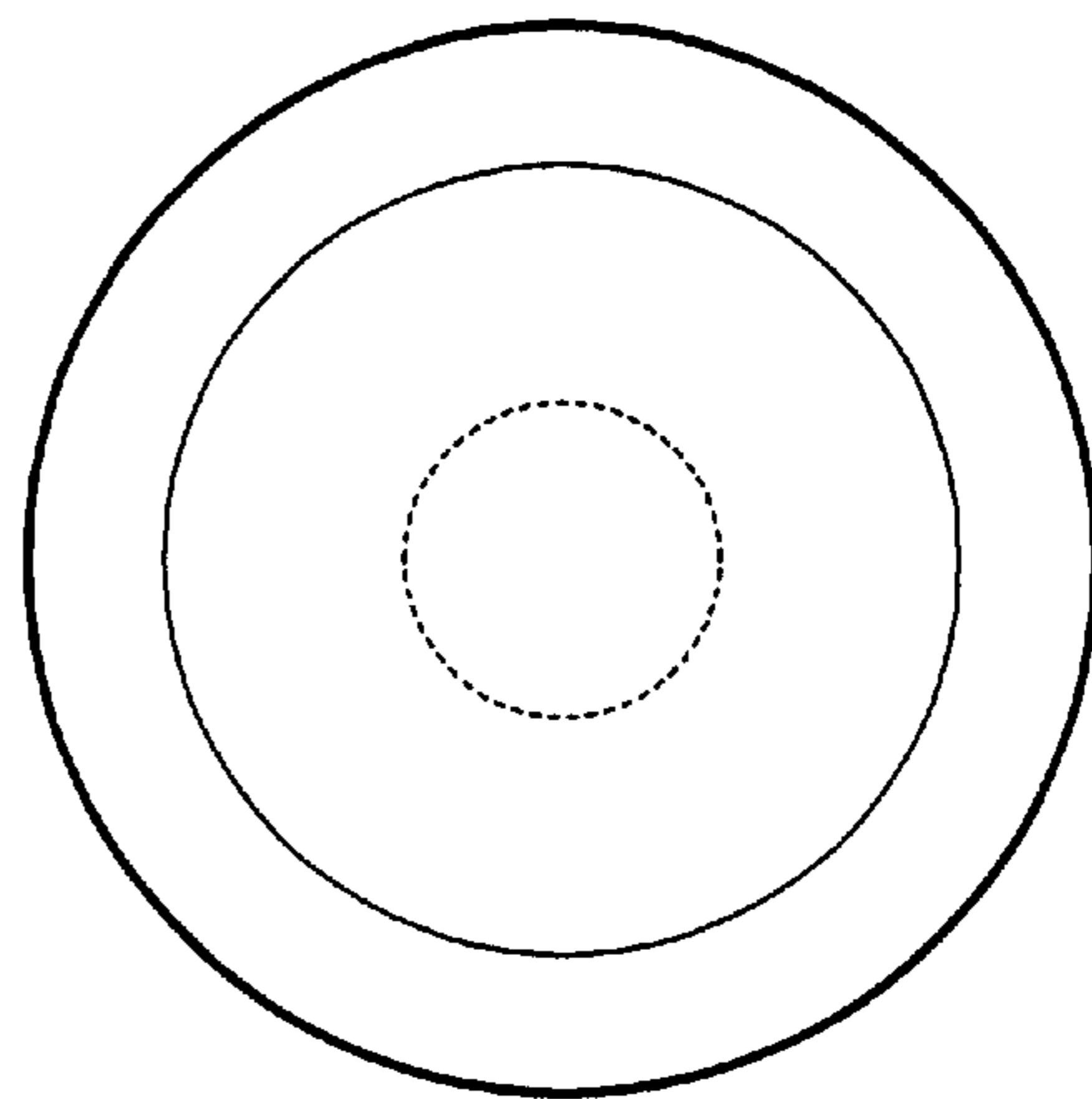


FIG. 3

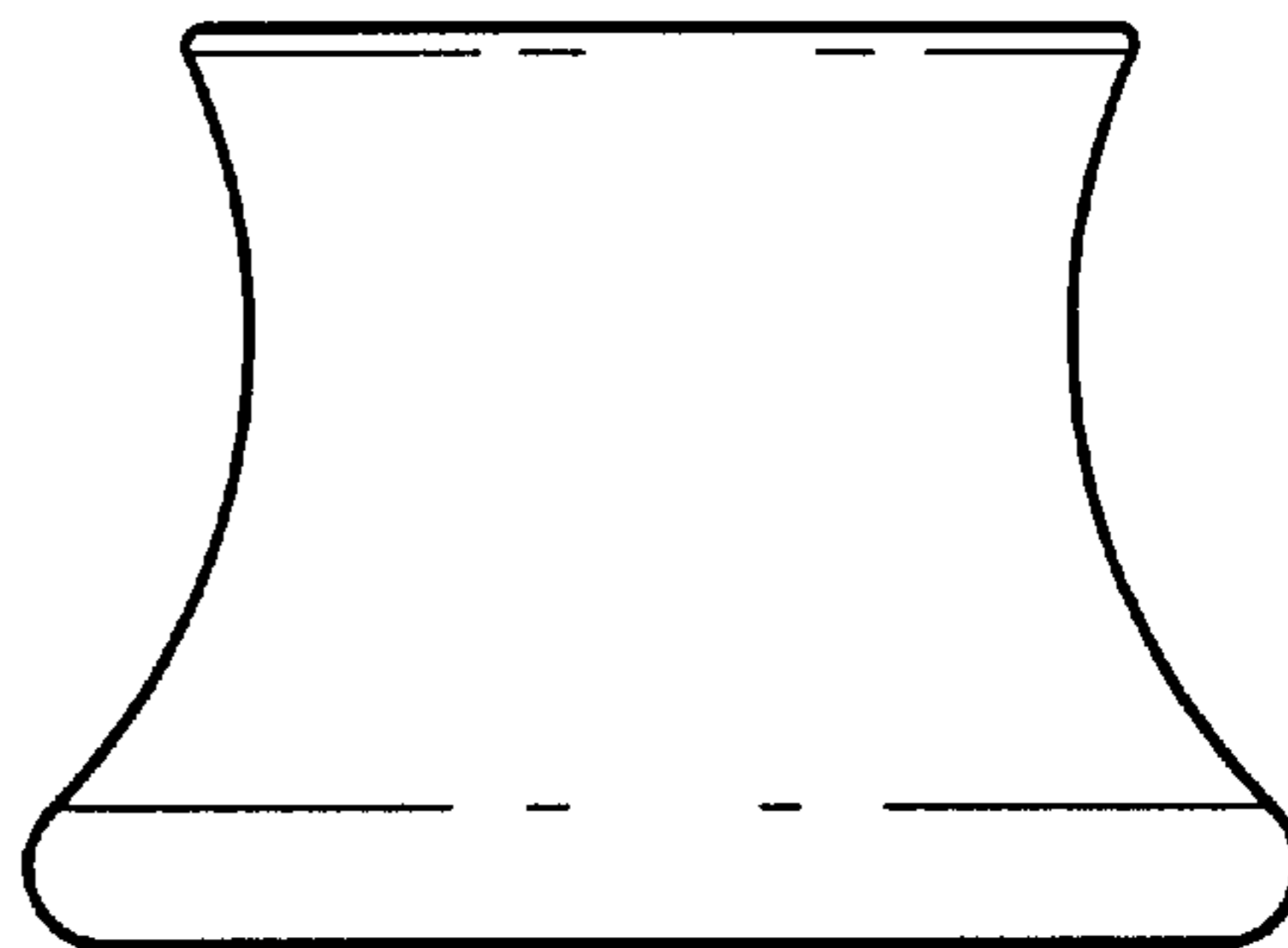


FIG. 4