



US00D513060S

(12) **United States Design Patent**
Ouyoung

(10) **Patent No.: US D513,060 S**

(45) **Date of Patent: ** Dec. 20, 2005**

(54) **FAUCET**

D487,133 S * 2/2004 Haug et al. D23/238
D492,389 S * 6/2004 Herbeau D23/238

(75) **Inventor: Scott Ouyoung, Taichung (TW)**

* cited by examiner

(73) **Assignee: Globe Union Industrial Corp.,
Taichung (TW)**

Primary Examiner—Louis S. Zarfes

Assistant Examiner—Gregory Andoll

(**) **Term: 14 Years**

(74) *Attorney, Agent, or Firm*—Troxell Law Office, PLLC

(21) **Appl. No.: 29/200,671**

(57) **CLAIM**

(22) **Filed: Mar. 4, 2004**

The ornamental design for faucet, as show and described.

(51) **LOC (6) Cl. 23-01**

DESCRIPTION

(52) **U.S. Cl. D23/238**

FIG. 1 is a top, left, front, perspective view of faucet showing my new design;

(58) **Field of Search D23/238-257;**

FIG. 2 is a front elevational view thereof;

4/675-678; 137/801

FIG. 3 is a rear elevational view thereof;

(56) **References Cited**

FIG. 4 is a left elevational view thereof;

U.S. PATENT DOCUMENTS

FIG. 5 is a right elevational view thereof; and,

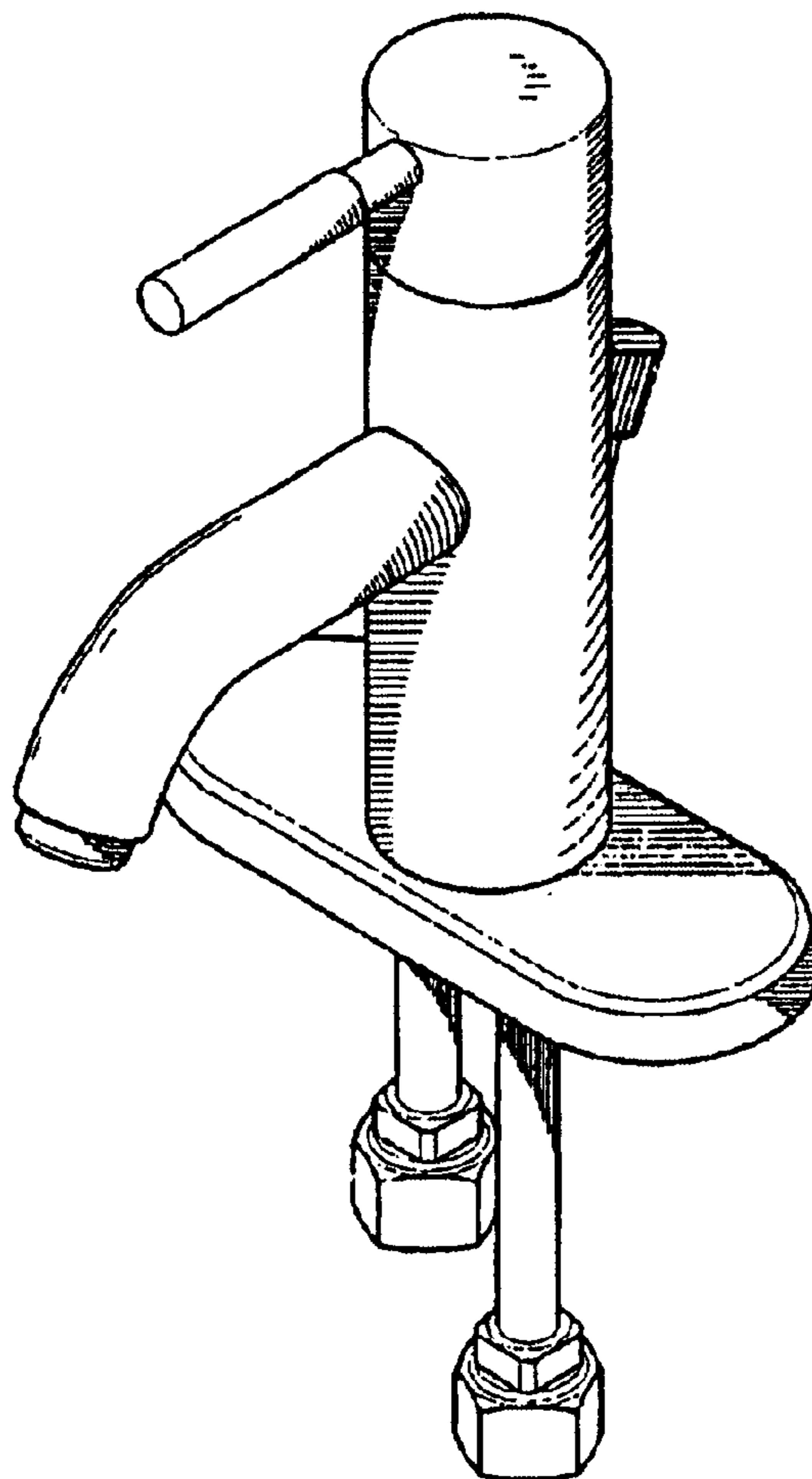
FIG. 6 is a top plan view thereof.

D207,985 S * 6/1967 Maguire D23/238

D466,977 S * 12/2002 Cummings D23/238

D478,370 S * 8/2003 Ouyoung D23/238

1 Claim, 4 Drawing Sheets



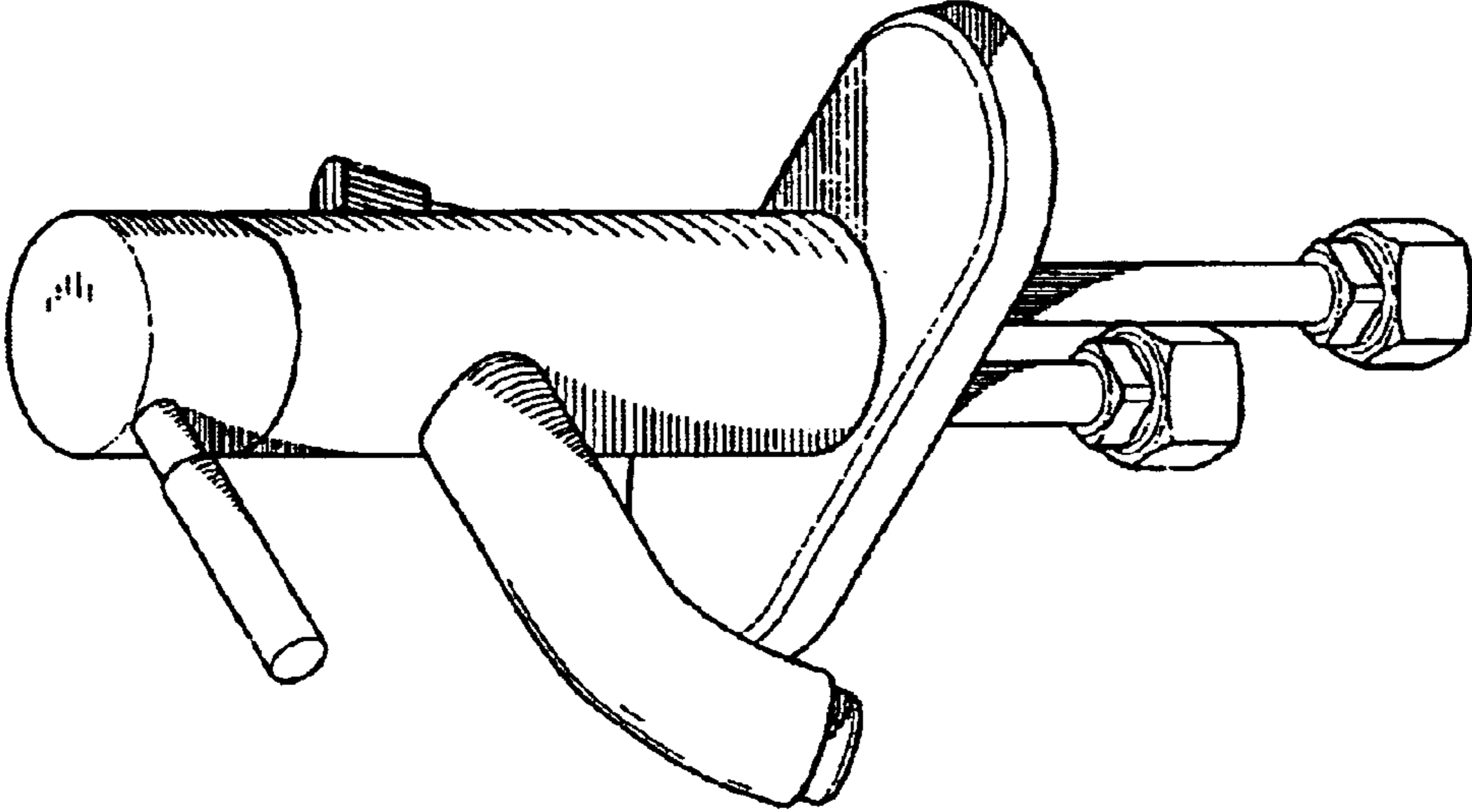


FIG. 1

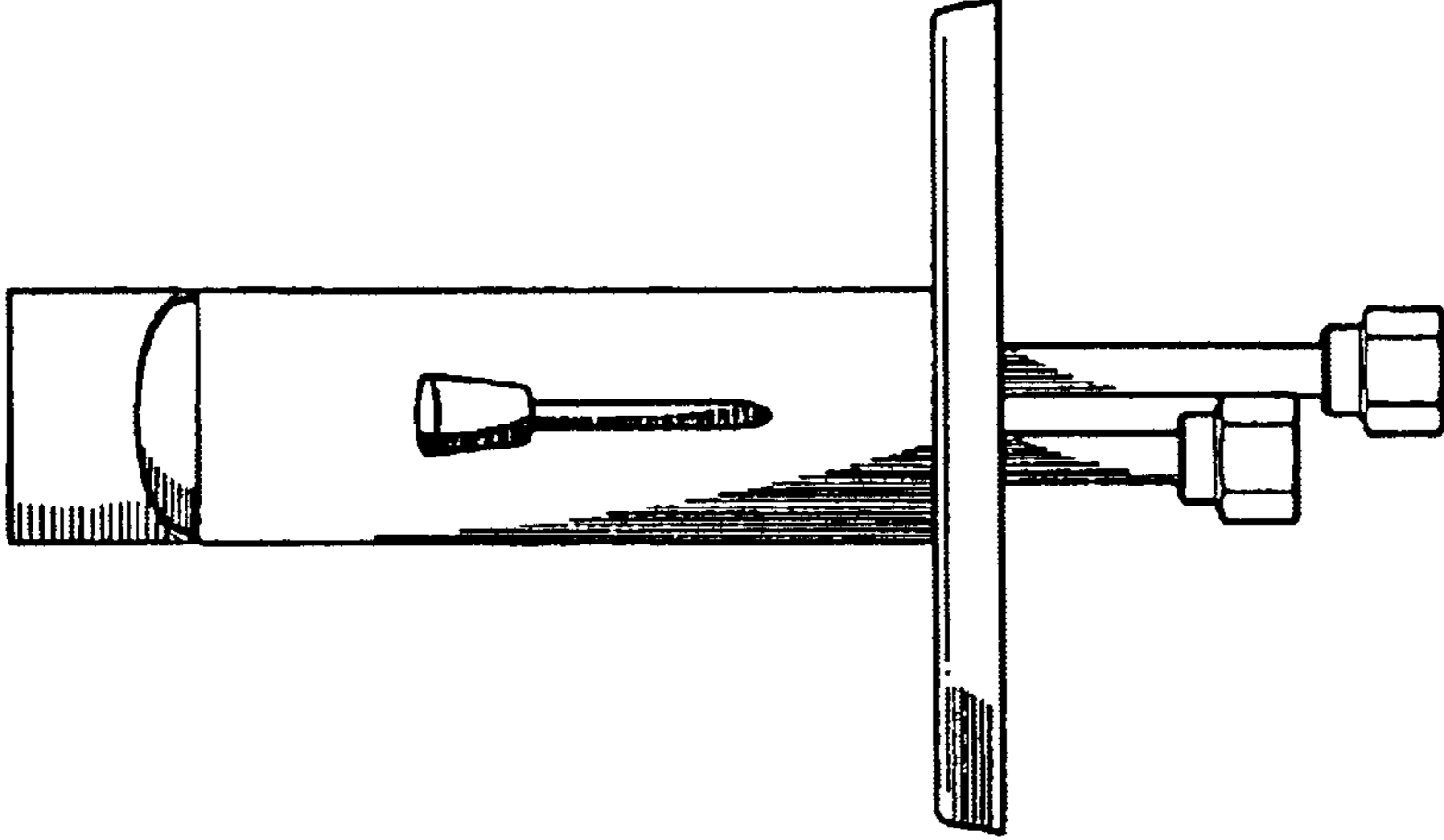


FIG. 3

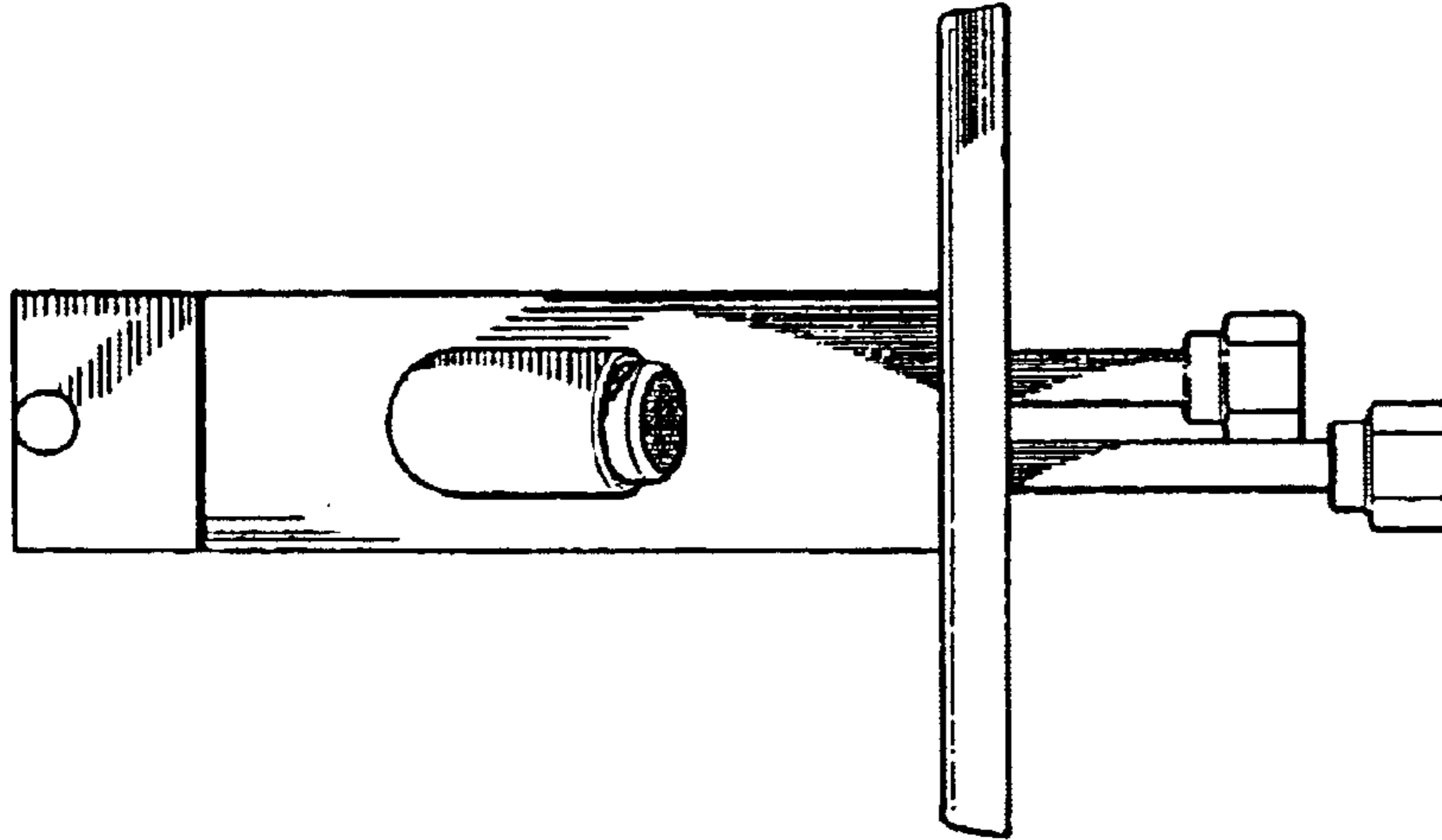


FIG. 2

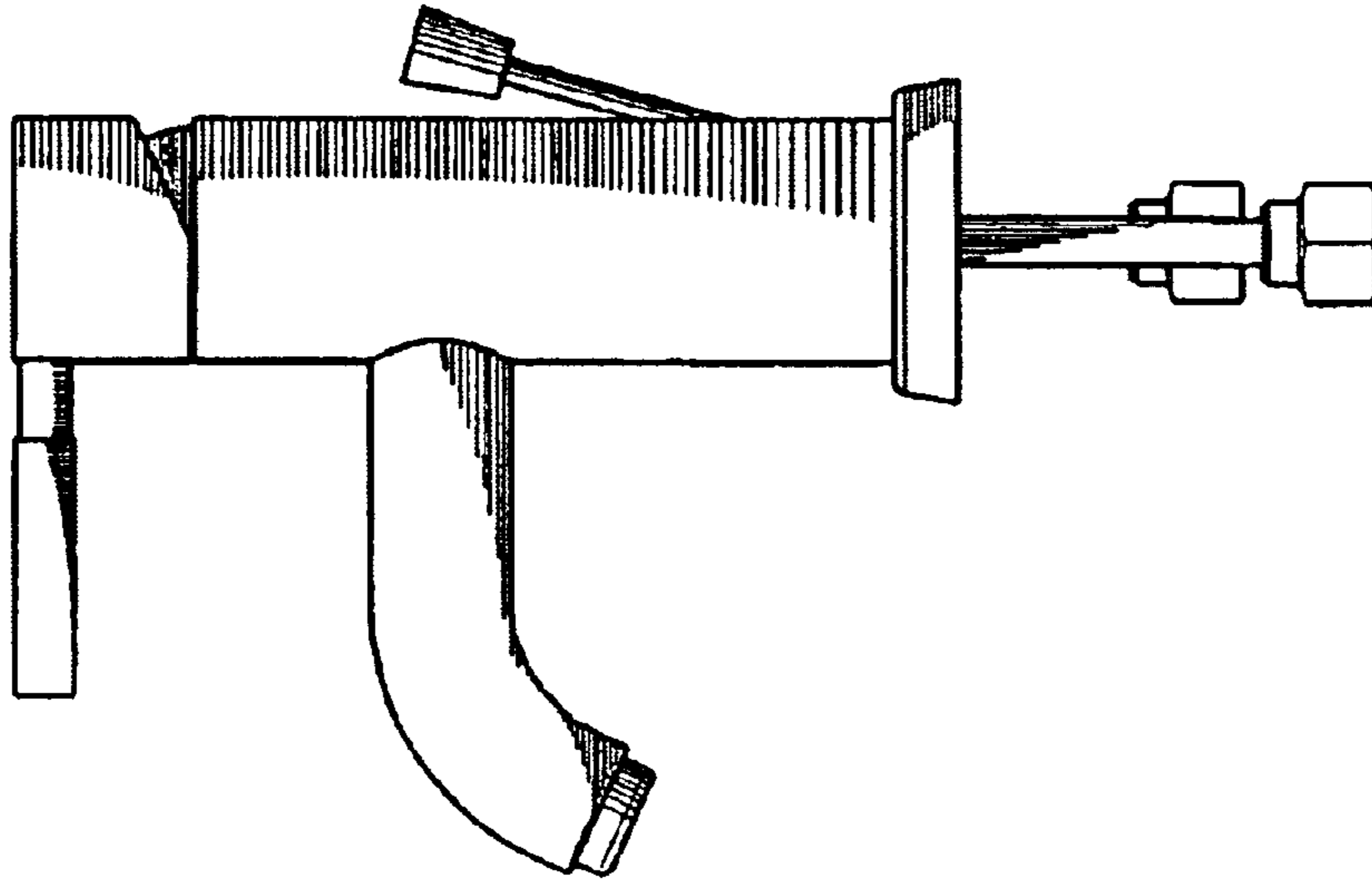


FIG. 5

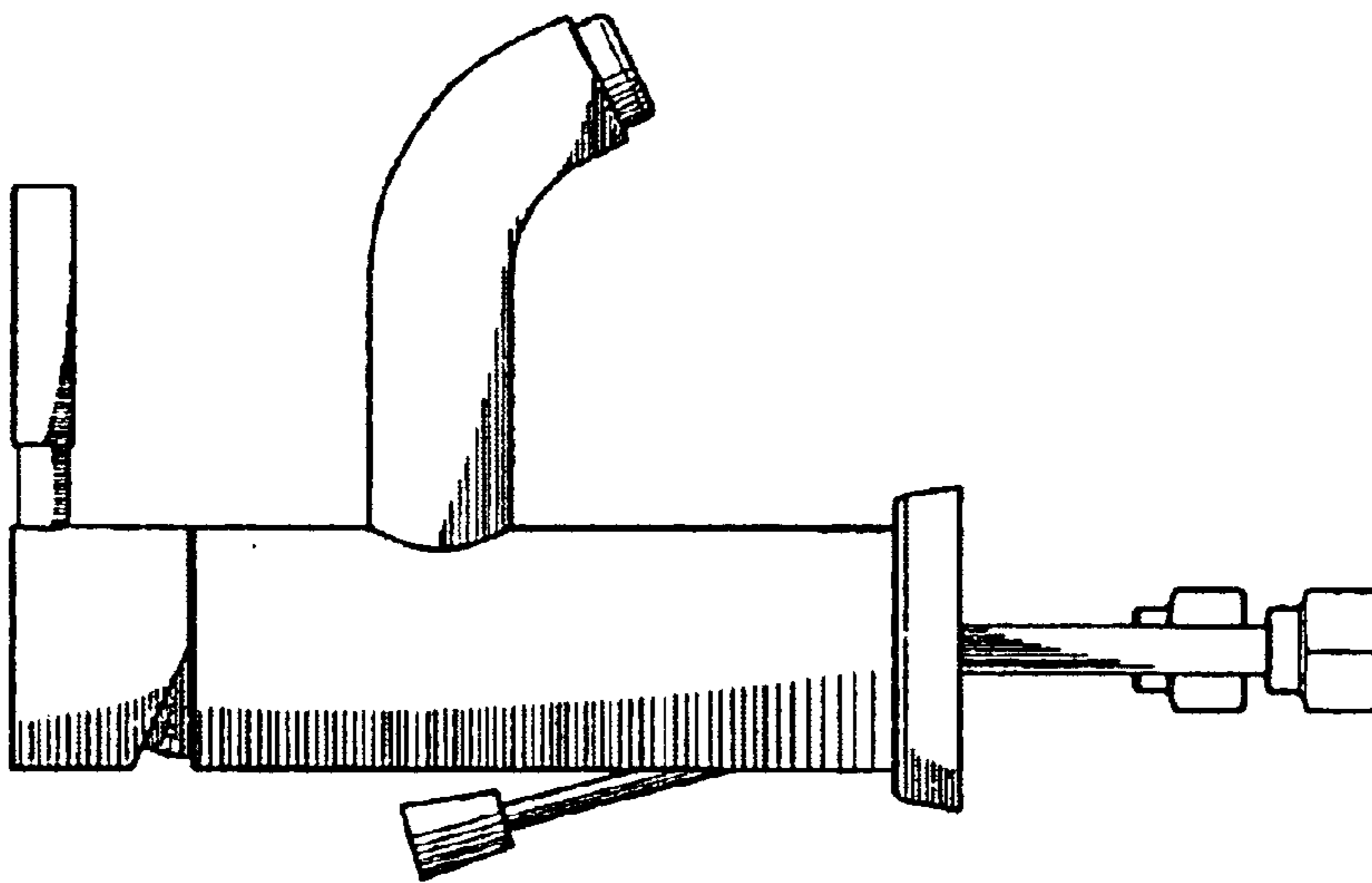


FIG. 4

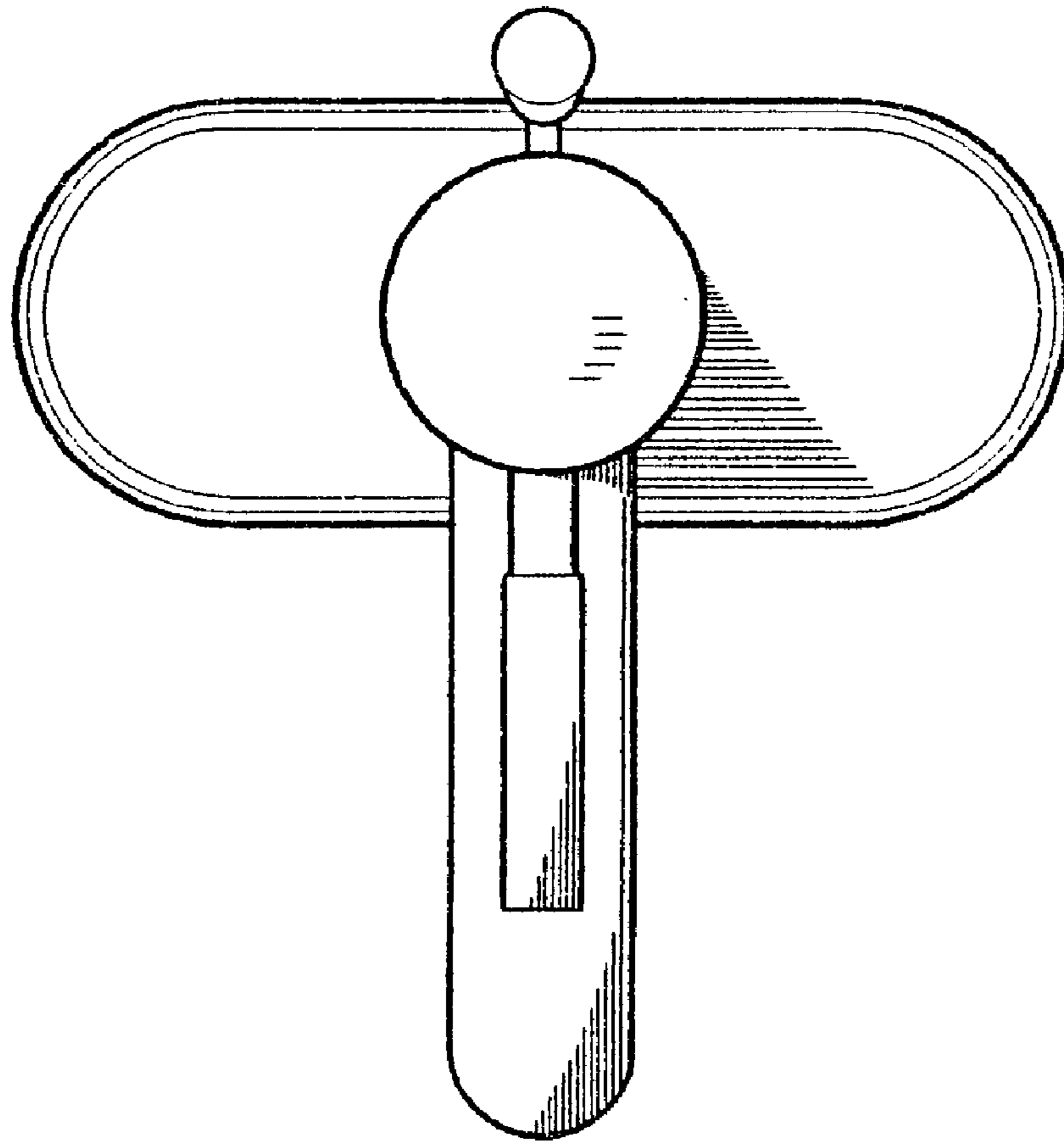


FIG. 6