



US00D513059S

(12) **United States Design Patent** (10) **Patent No.:** **US D513,059 S**
Pauls (45) **Date of Patent:** **** Dec. 20, 2005**

(54) **FAUCET**

D341,190 S * 11/1993 Pauls et al. D23/255
D351,217 S * 10/1994 Lu D23/241

(75) Inventor: **James R. Pauls**, Concord, CA (US)

* cited by examiner

(73) Assignee: **Jacuzzi, Inc.**, West Palm Beach, FL (US)

Primary Examiner—Louis S. Zarfes

Assistant Examiner—Gregory Andoll

(**) Term: **14 Years**

(74) *Attorney, Agent, or Firm*—Thomas R. Lampe

(21) Appl. No.: **29/197,371**

(57) **CLAIM**

(22) Filed: **Jan. 14, 2004**

The ornamental design for faucet, as shown and described.

(51) **LOC (6) Cl.** **23-01**

DESCRIPTION

(52) **U.S. Cl.** **D23/238; D23/255**

FIG. 1 is a perspective view of faucet showing my design;

(58) **Field of Search** D23/238–257;

FIG. 2 is a front elevation view thereof;

4/675–678; 137/801

FIG. 3 is a back elevation view thereof;

FIG. 4 is a left side elevation view thereof, the right side

elevation view thereof being a mirror image;

FIG. 5 is a bottom view thereof; and,

FIG. 6 is a top plan view thereof.

(56) **References Cited**

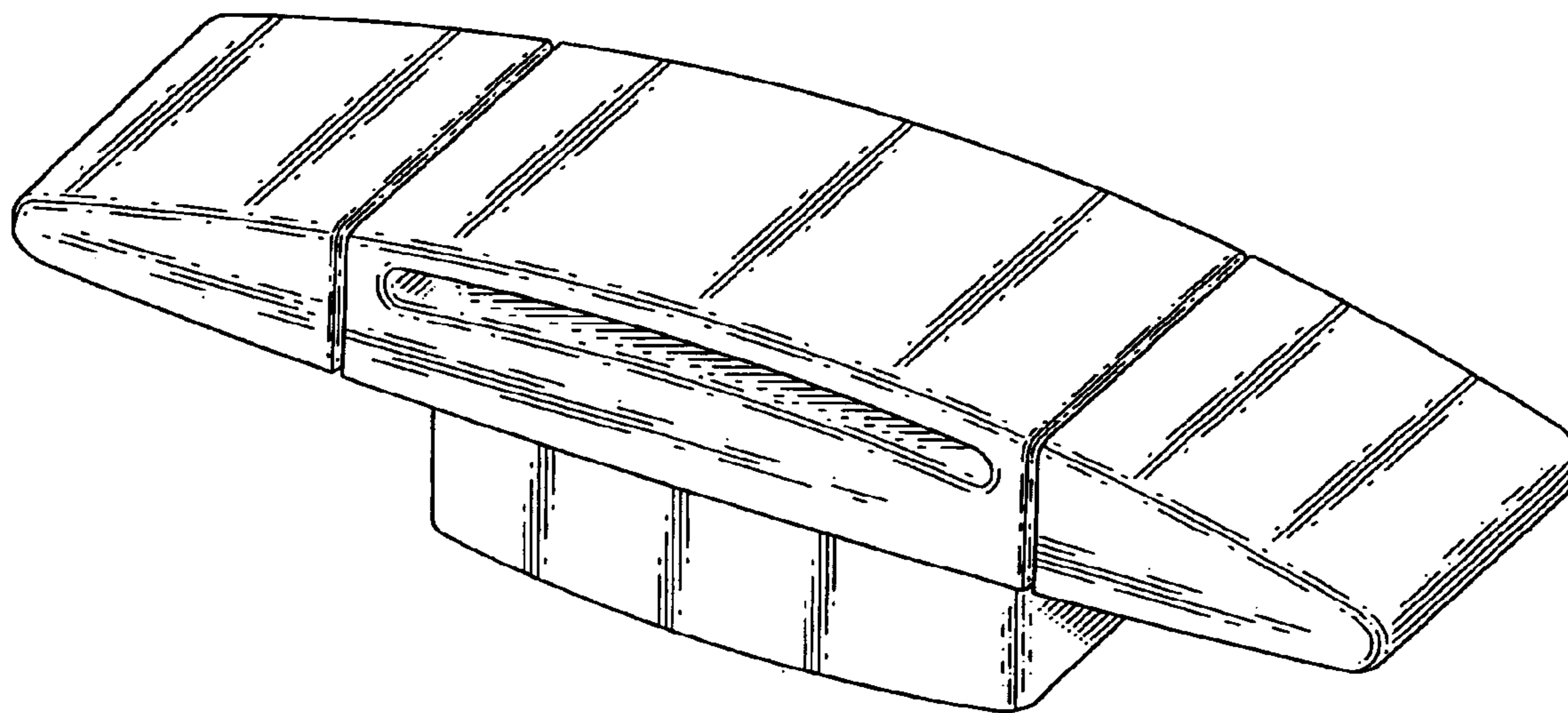
U.S. PATENT DOCUMENTS

The broken lines in the Figures are for illustrative purposes

only and form no part of the claimed design.

- D224,403 S * 7/1972 Jenner D23/238
D292,430 S * 10/1987 Enthoven D23/241
D319,685 S * 9/1991 Kohler et al. D23/255
D339,854 S * 9/1993 Paulin et al. D23/255

1 Claim, 2 Drawing Sheets



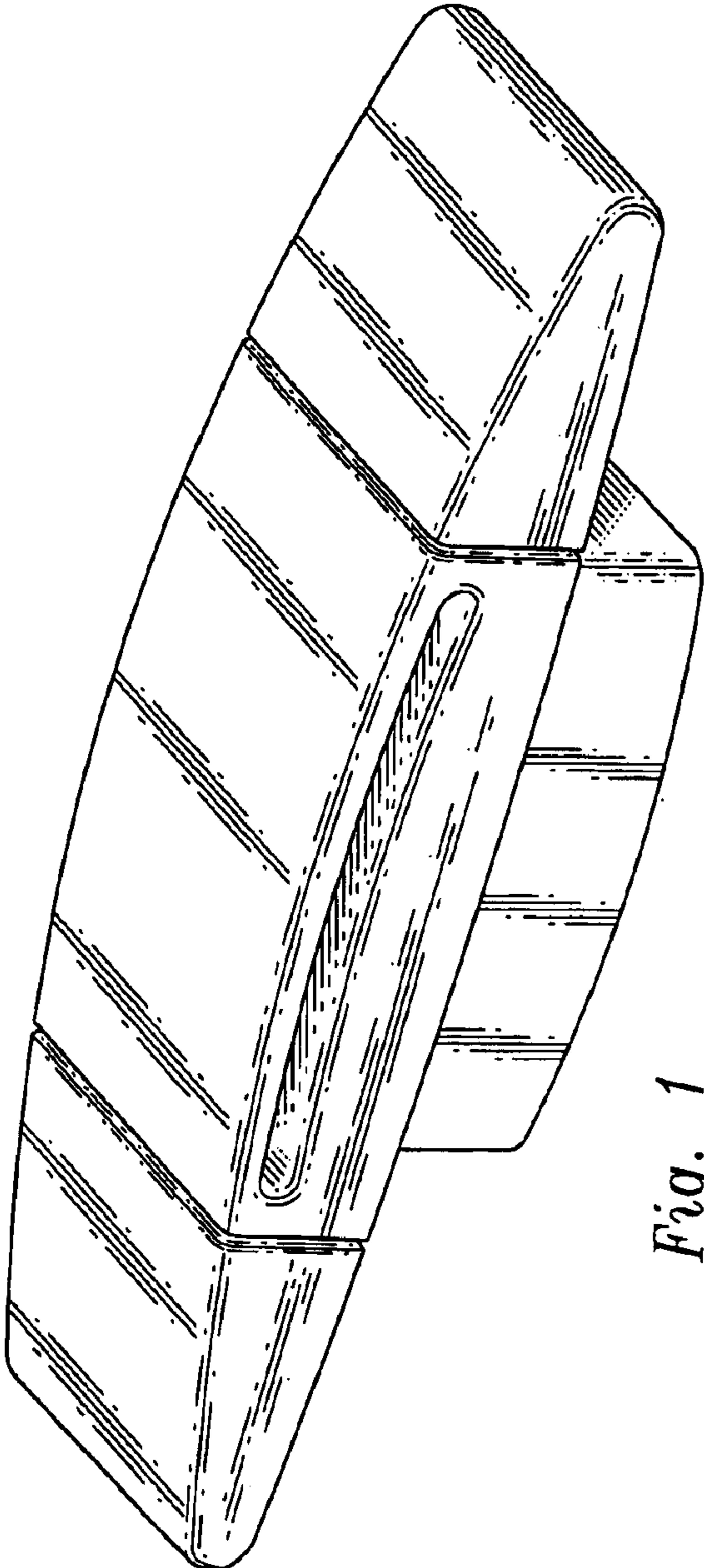


Fig. 1

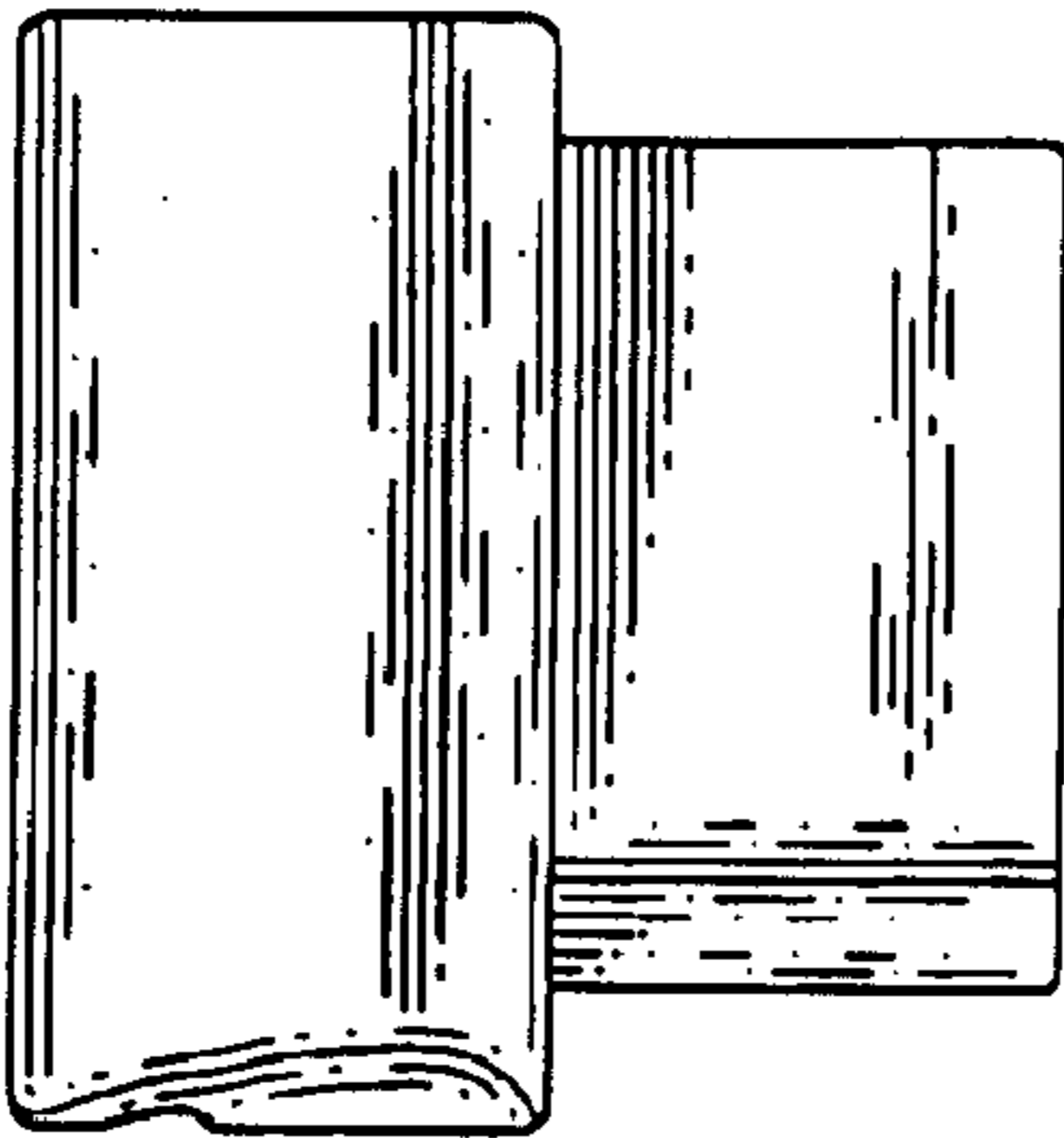


Fig. 4

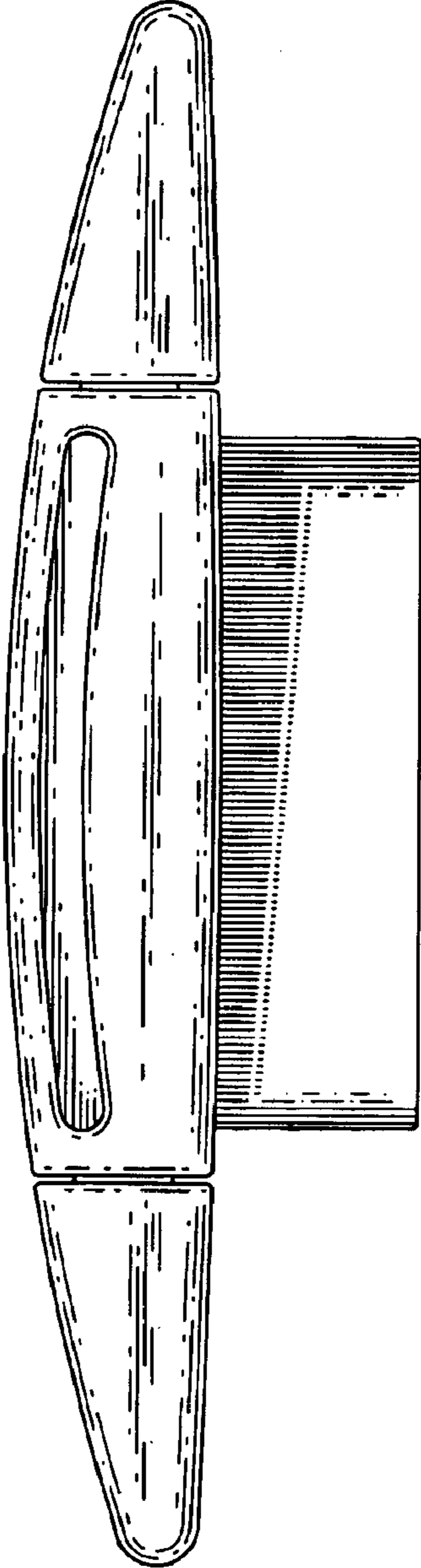


Fig. 2

Fig. 3

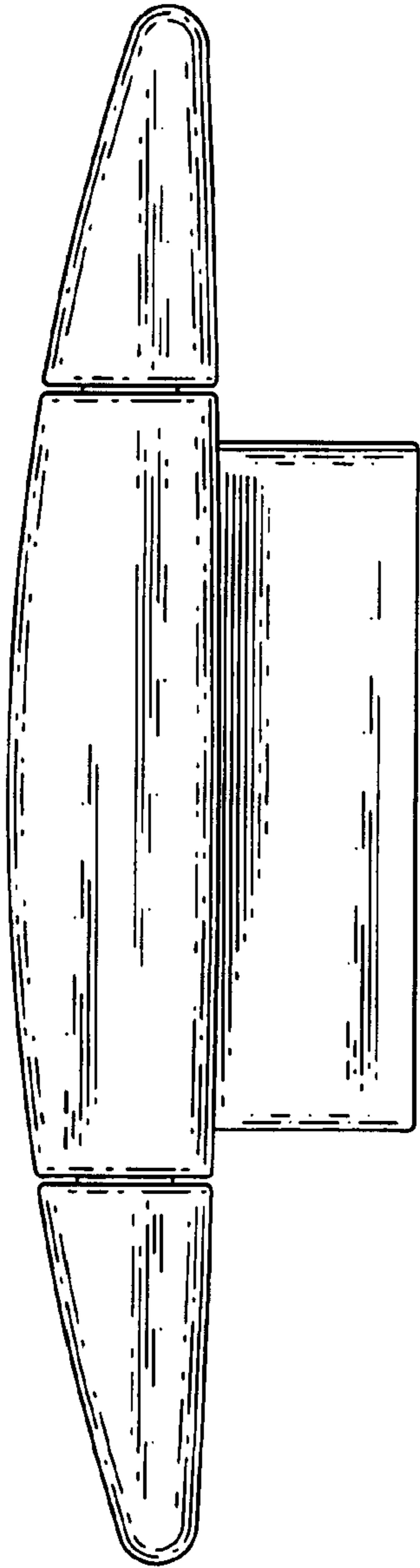


Fig. 5

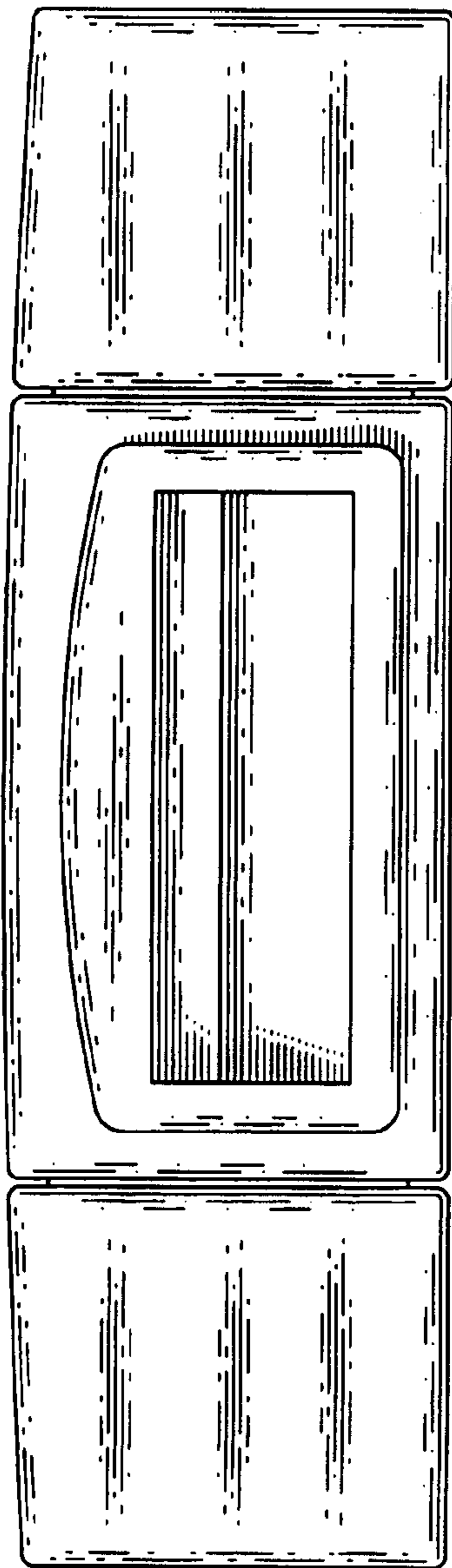


Fig. 6

