



US00D513058S

(12) **United States Design Patent** (10) **Patent No.:** **US D513,058 S**
Hayduk et al. (45) **Date of Patent:** **** Dec. 20, 2005**

(54) **DISPENSER**

(75) Inventors: **Matthew Hayduk**, Glen Cove, NY
 (US); **George Bertram**, Newtown, CT
 (US); **Doug Walker**, Hamden, CT (US)

(73) Assignee: **Intellipack**, Tulsa, OK (US)

(**) Term: **14 Years**

(21) Appl. No.: **29/201,252**

(22) Filed: **Mar. 12, 2004**

(51) **LOC (6) Cl.** **23-01**

(52) **U.S. Cl.** **D23/226**

(58) **Field of Search** D23/213, 223,
D23/226; 239/525, 526, 527, 291; 222/505

(56) **References Cited**

U.S. PATENT DOCUMENTS

D200,677	S	*	3/1965	Clark	D23/226
D202,216	S	*	9/1965	Liljemark	D23/226
3,263,928	A		8/1966	Gusmer		
3,687,370	A		8/1972	Sperry		
3,811,622	A	*	5/1974	Blatt	239/526
4,469,251	A		9/1984	Sperry et al.		
4,568,003	A		2/1986	Sperry et al.		
4,867,346	A		9/1989	Faye et al.		
4,999,975	A		3/1991	Willden et al.		
5,050,776	A		9/1991	Rosenplanter		
5,090,814	A		2/1992	Petcen		
5,180,082	A		1/1993	Cherfane		
D335,170	S	*	4/1993	Hoogeveen, Jr.	D23/223
5,211,311	A		5/1993	Petcen		
5,265,761	A		11/1993	Brown		

5,709,317	A		1/1998	Bertram et al.		
5,950,875	A		9/1999	Lee et al.		
5,996,848	A		12/1999	Sperry et al.		
D419,641	S	*	1/2000	Wilson	D23/223
6,311,740	B1		11/2001	Sperry et al.		

OTHER PUBLICATIONS

Copy of copending U.S Appl. No. 60/552,207, filed Mar. 12, 2004.

* cited by examiner

Primary Examiner—Robin V. Taylor

(74) *Attorney, Agent, or Firm*—Smith Gambrell Russell LLP

(57) **CLAIM**

The ornamental design for a dispenser, as shown.

DESCRIPTION

FIG. 1 shows a perspective view of a dispenser of the present invention;

FIG. 2 is a right side (i.e when viewed from the front) elevational view thereof;

FIG. 3 is a left side elevational view thereof;

FIG. 4 is a top plan view thereof;

FIG. 5 is a bottom plan view thereof;

FIG. 6 is a back elevational view;

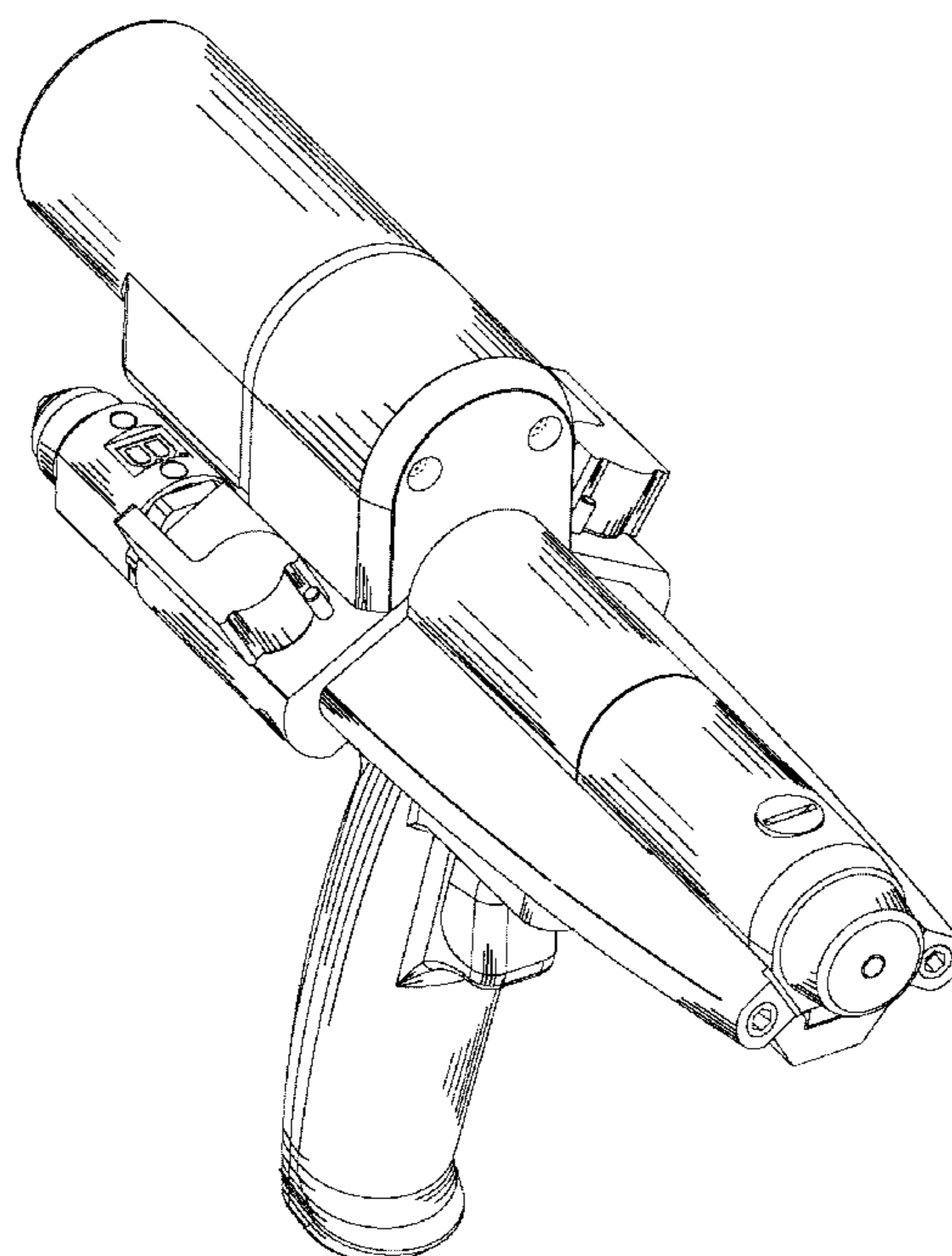
FIG. 7 is a front elevational view;

FIG. 8 shows another perspective view thereof; and,

FIG. 9 is a bottom perspective view thereof.

The broken line showing is for illustrative purposes and forms no part of the claimed design.

1 Claim, 9 Drawing Sheets



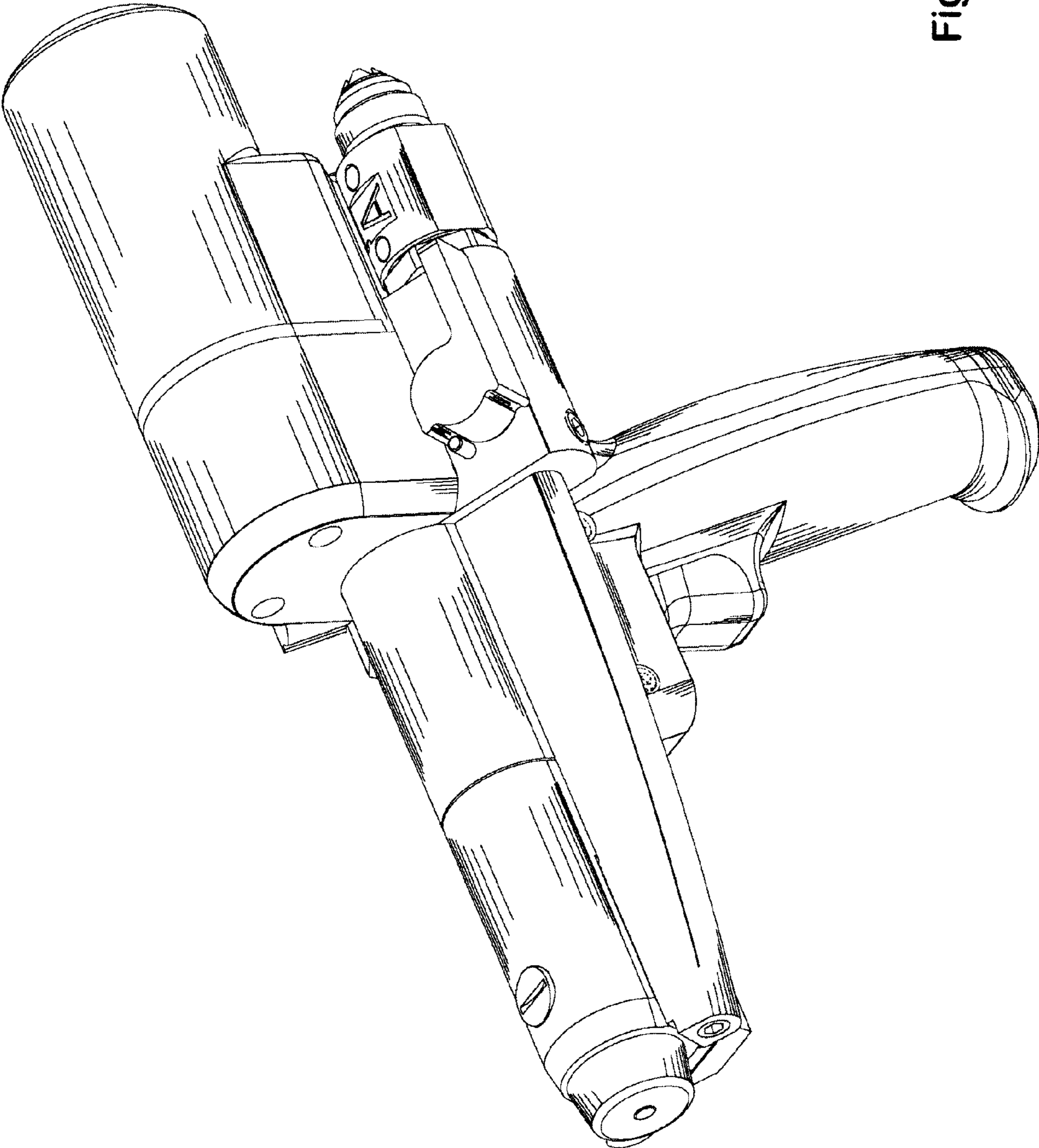


Figure 1

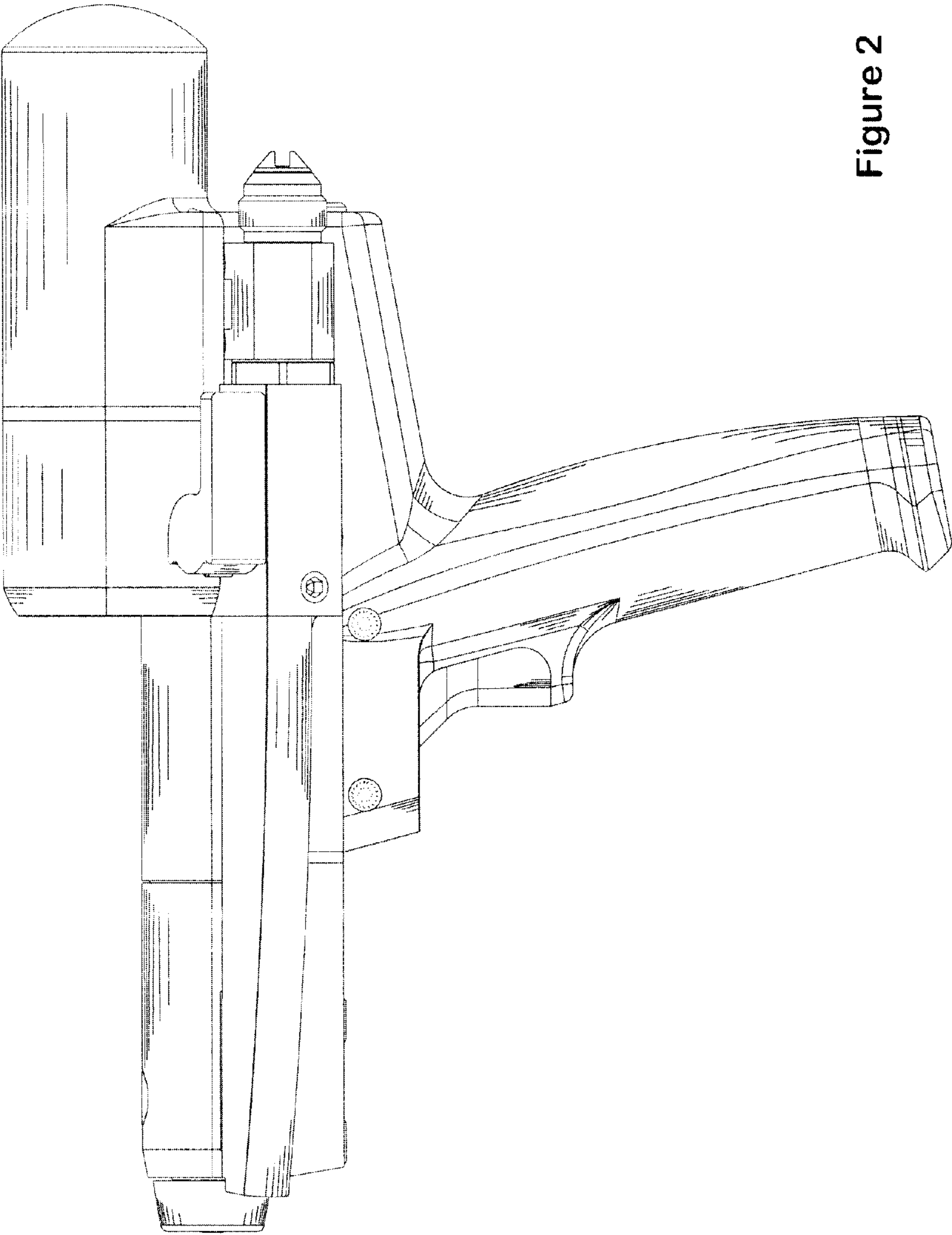


Figure 2

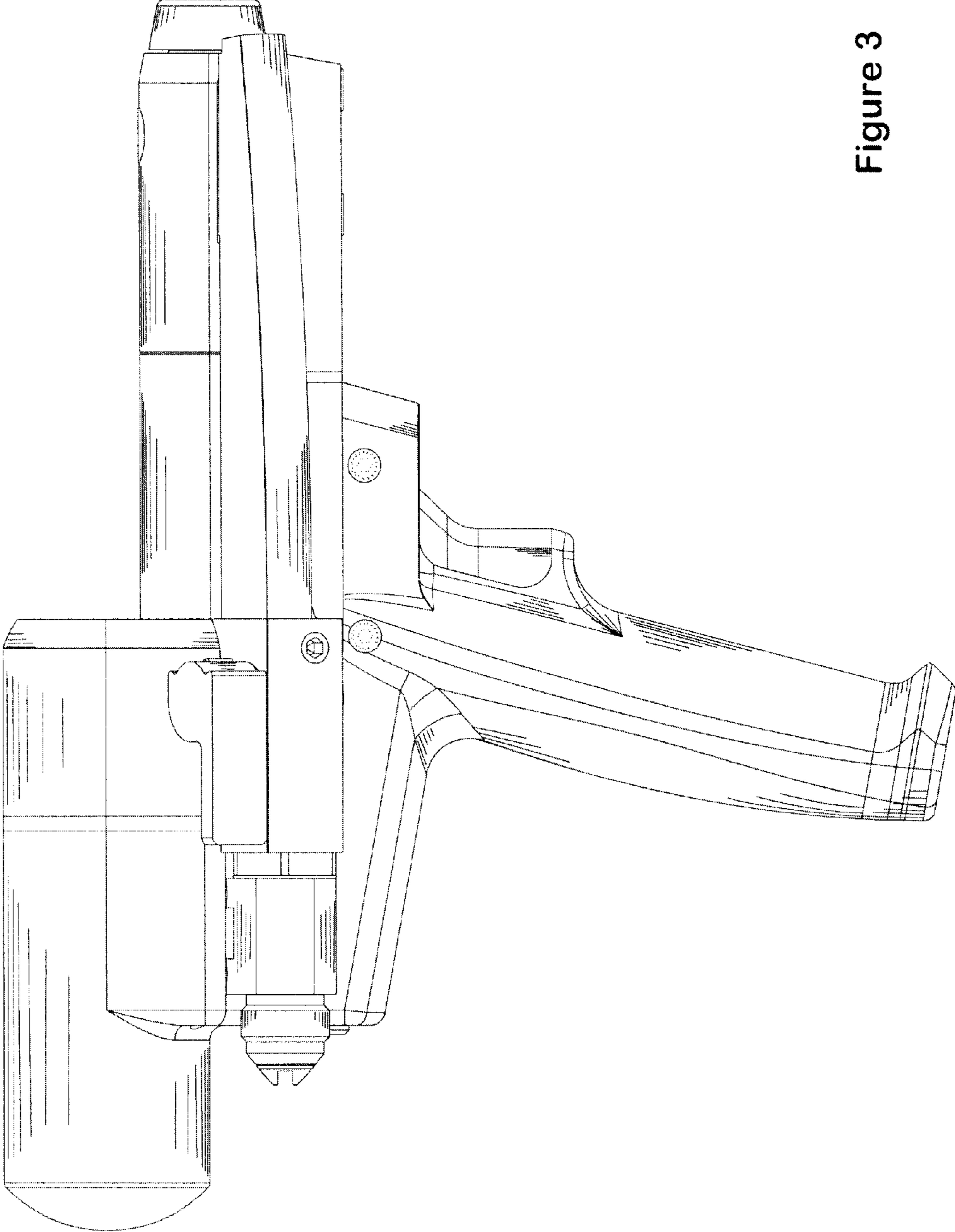


Figure 3

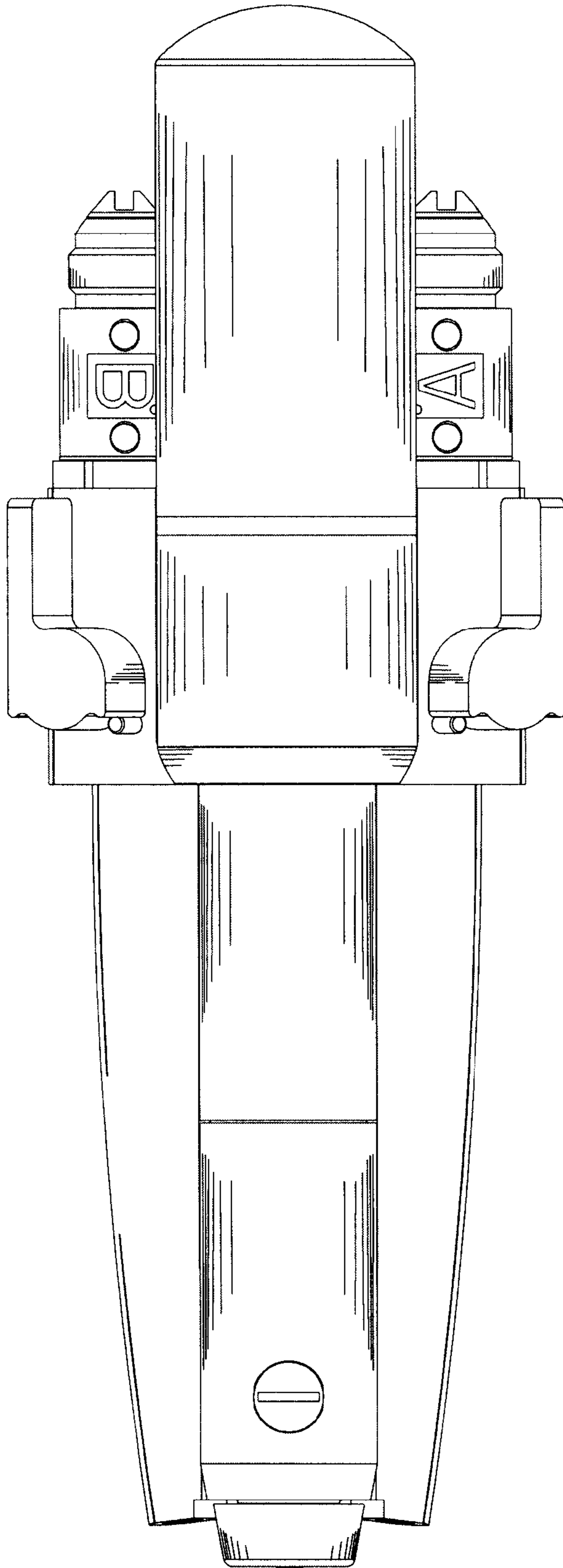


Figure 4

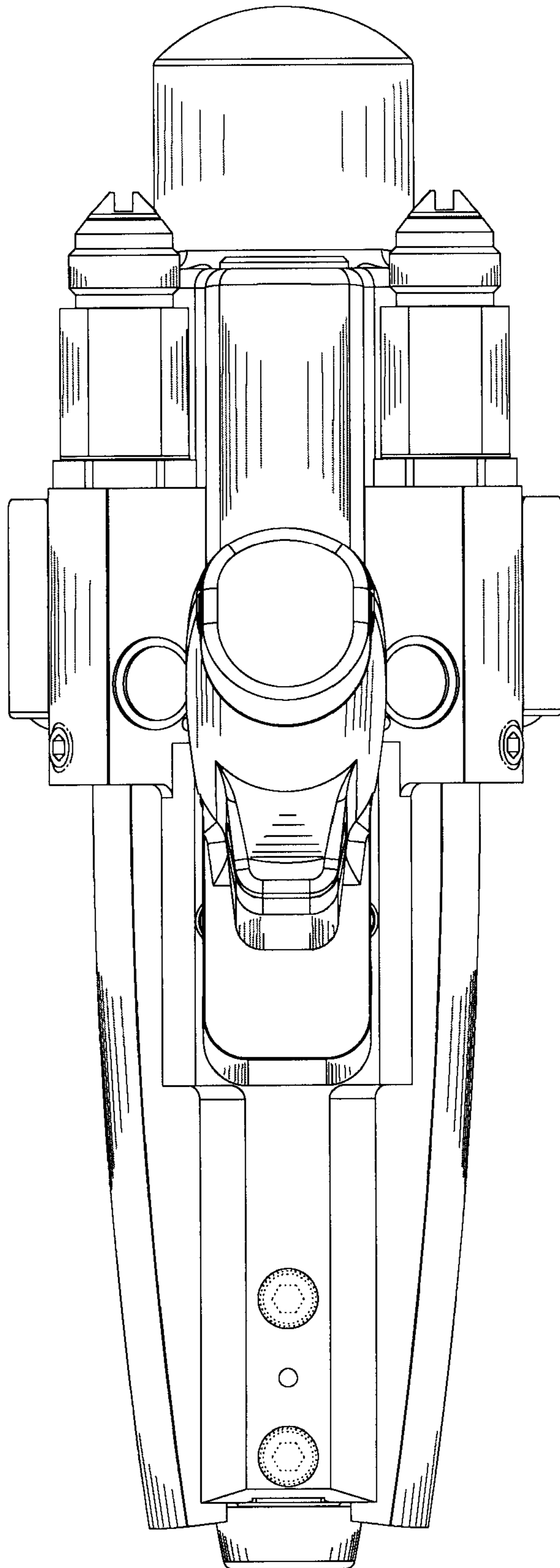


Figure 5

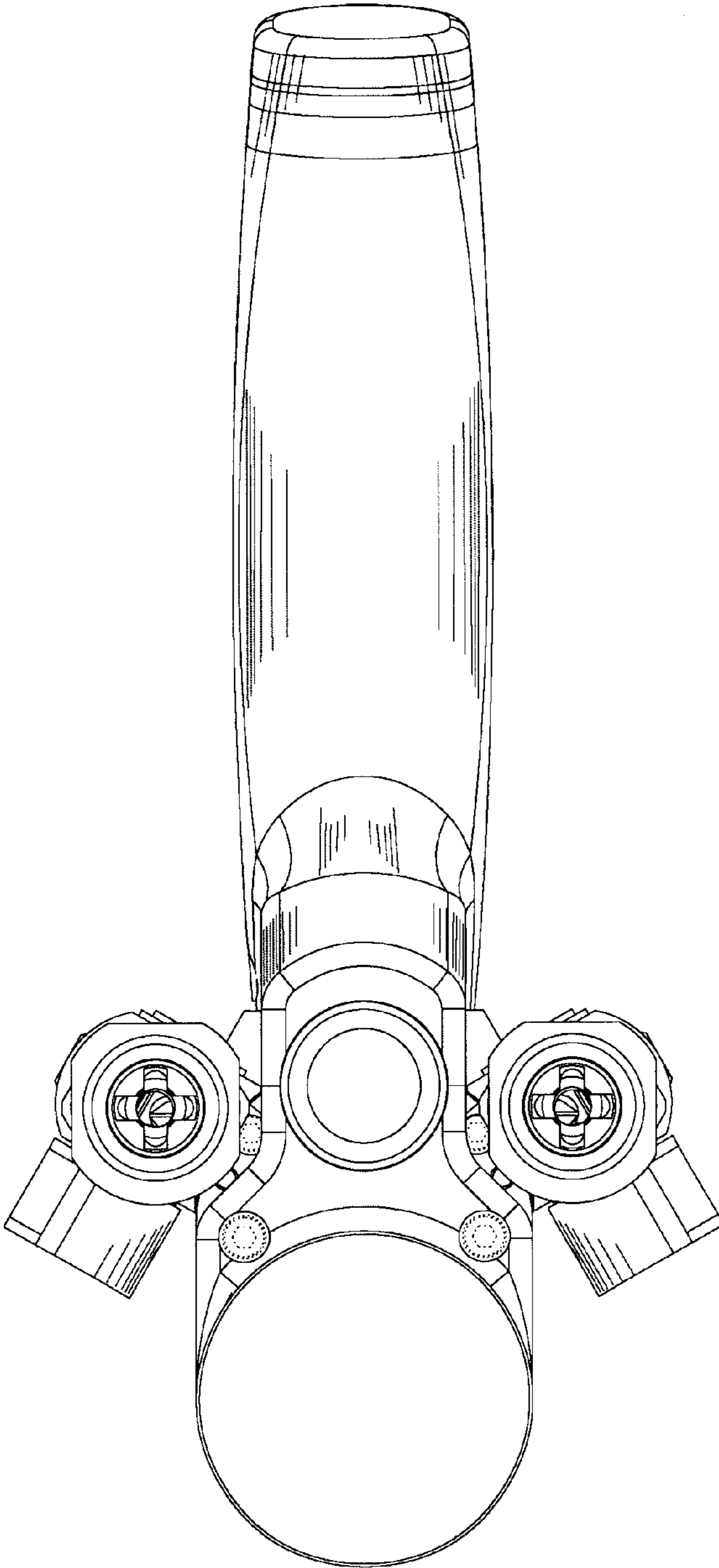


Figure 6

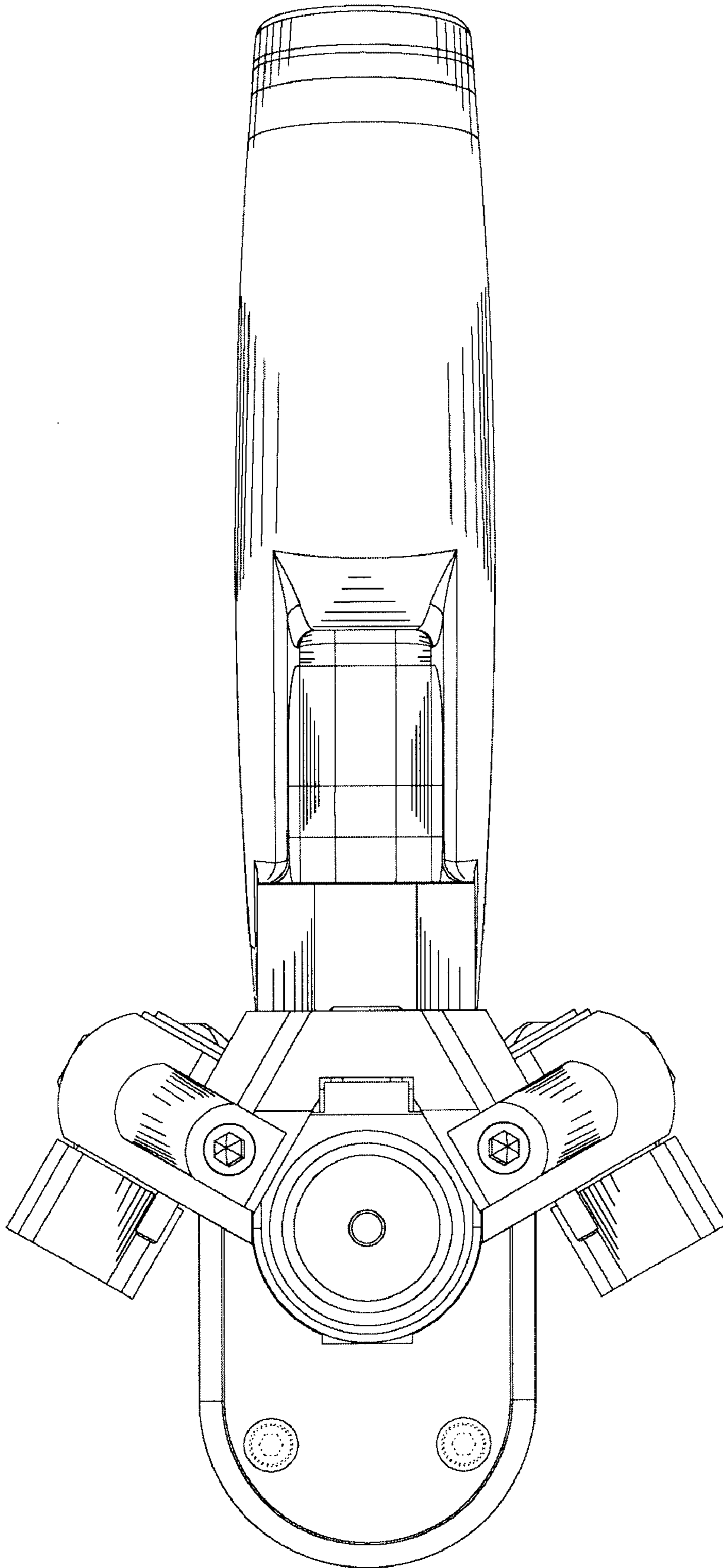


Figure 7

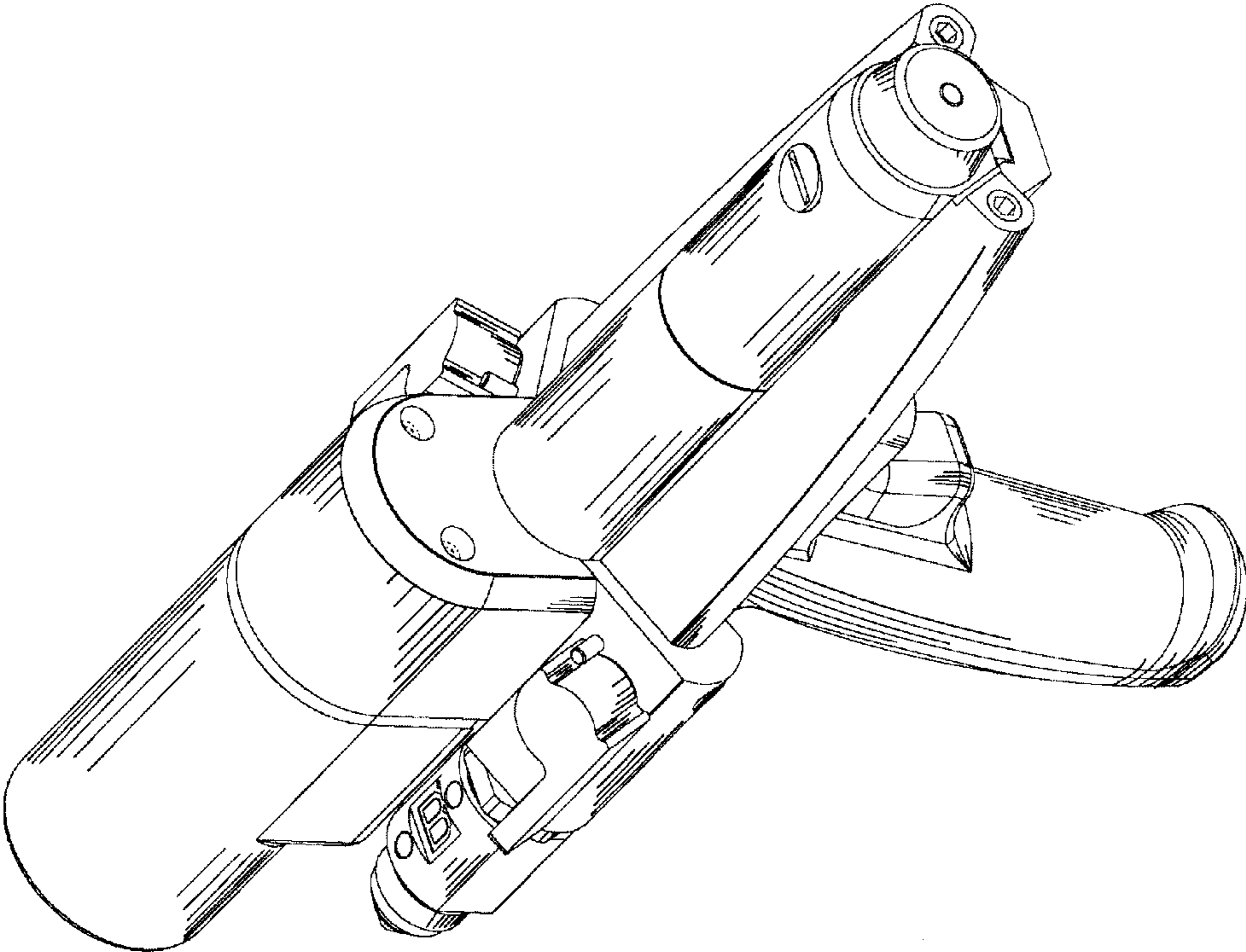


Figure 8

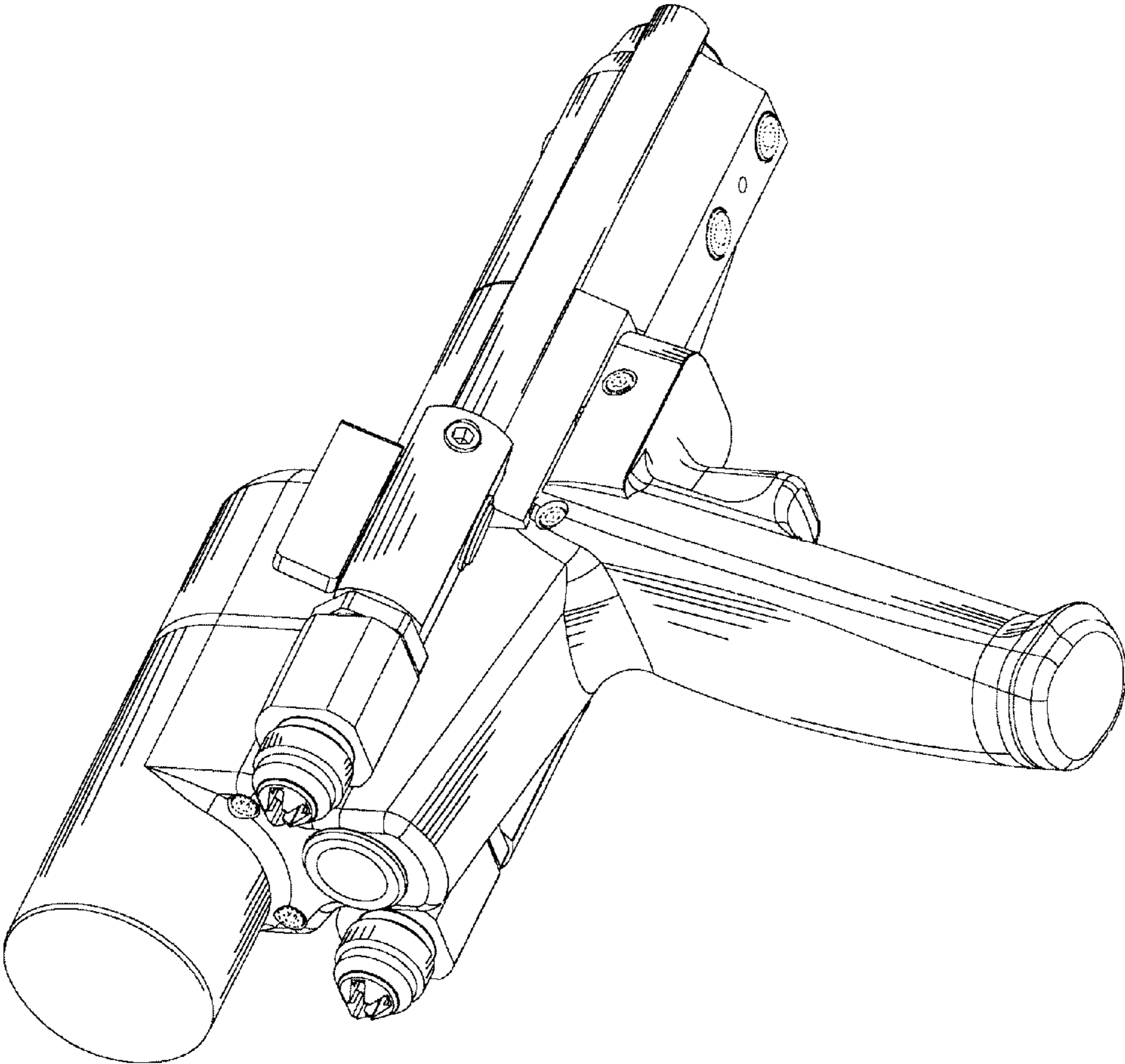


Figure 9