



US00D513057S

(12) **United States Design Patent** (10) **Patent No.:** **US D513,057 S**
Mueller (45) **Date of Patent:** **** Dec. 20, 2005**

(54) **FISH LURE**
(76) Inventor: **Scott Mueller**, 8282 Atlanta Ave., #10,
Huntington Beach, CA (US) 92646
(**) Term: **14 Years**
(21) Appl. No.: **29/193,493**
(22) Filed: **Nov. 10, 2003**
(51) **LOC (6) Cl.** **22-05**
(52) **U.S. Cl.** **D22/131**
(58) **Field of Search** D22/125-133;
43/42.14, 42.15, 42.36, 42.05, 42.13, 42.22,
41, 42.12, 42.28, 42.06, 42.09, 42.16, 42.31

4,941,280 A 7/1990 Rinaldi 43/42.36
5,090,151 A 2/1992 Salminen 43/42.08
5,168,652 A 12/1992 Davis 43/42.23
5,490,347 A 2/1996 Conley 43/42.47
D384,127 S * 9/1997 Cross D22/133
5,806,234 A 9/1998 Nichols 43/42.37
5,953,849 A 9/1999 Boucher, Jr. 43/42.24
6,006,467 A 12/1999 Ulrich 43/43.16
D437,025 S * 1/2001 Peck D22/133
D449,871 S * 10/2001 Keywan et al. D22/133
6,393,757 B2 5/2002 Bomann 43/42.09
6,430,867 B1 8/2002 Johnston et al. 43/42.45
D464,704 S * 10/2002 Policicchio D22/133
6,484,434 B1 11/2002 Elges 43/42.47
D466,965 S * 12/2002 Toris D22/131
D468,390 S * 1/2003 Stevens D22/126
D470,565 S * 2/2003 Schlueter D22/133
D485,884 S * 1/2004 Wu D22/133
2002/0144451 A1 10/2002 Kruger 43/42

(56) **References Cited**

U.S. PATENT DOCUMENTS

723,045 A 3/1903 Shaffer 43/42.14
923,095 A 5/1909 Wilcox 43/42.14
1,093,980 A 4/1914 Donaly 43/42.15
1,627,455 A 5/1927 Peterson 43/42.36
2,112,901 A 4/1938 Anderson 43/42.05
2,225,676 A 12/1940 White 43/42.05
2,236,353 A 3/1941 Minser 43/42.05
2,383,246 A 8/1945 Fiskaali 43/42.06
2,389,883 A 11/1945 Worden 43/42.05
2,517,299 A 8/1950 Gaylord 43/41
2,545,129 A 3/1951 Ziegler 43/42.22
2,602,256 A 7/1952 Master et al. 43/42.47
2,715,790 A 8/1955 Carpenter 43/42.09
2,734,301 A 2/1956 Fuqua 43/42.05
3,010,243 A 11/1961 Dickinson 43/42.09
3,045,382 A 7/1962 Watkins 43/42.17
3,068,604 A 12/1962 Nyberg 43/42.05
3,218,750 A 11/1965 Lewin 43/42.28
3,648,397 A 3/1972 Du Bois 43/42.12
3,820,269 A 6/1974 Rae 43/42.05
3,877,168 A 4/1975 Stevens 43/42.31
3,896,580 A 7/1975 Williams, Jr. 43/42.31
3,979,853 A 9/1976 Storm et al. 43/42.29
4,266,360 A 5/1981 Smith 43/42.09

FOREIGN PATENT DOCUMENTS

FR 1015028 8/1952
FR 2690607 11/1993
JP 6-276895 10/1994

* cited by examiner

Primary Examiner—Catherine R. Oliver
(74) *Attorney, Agent, or Firm*—Fulwider Patton Lee & Utecht, LLP

(57) **CLAIM**

The ornamental design for a fish lure, as shown and described.

DESCRIPTION

FIG. 1 is a top plan view of the fish lure showing my new design;
FIG. 2 is a left side view thereof;
FIG. 3 is a front view thereof; and,
FIG. 4 is a rear view thereof.

1 Claim, 1 Drawing Sheet

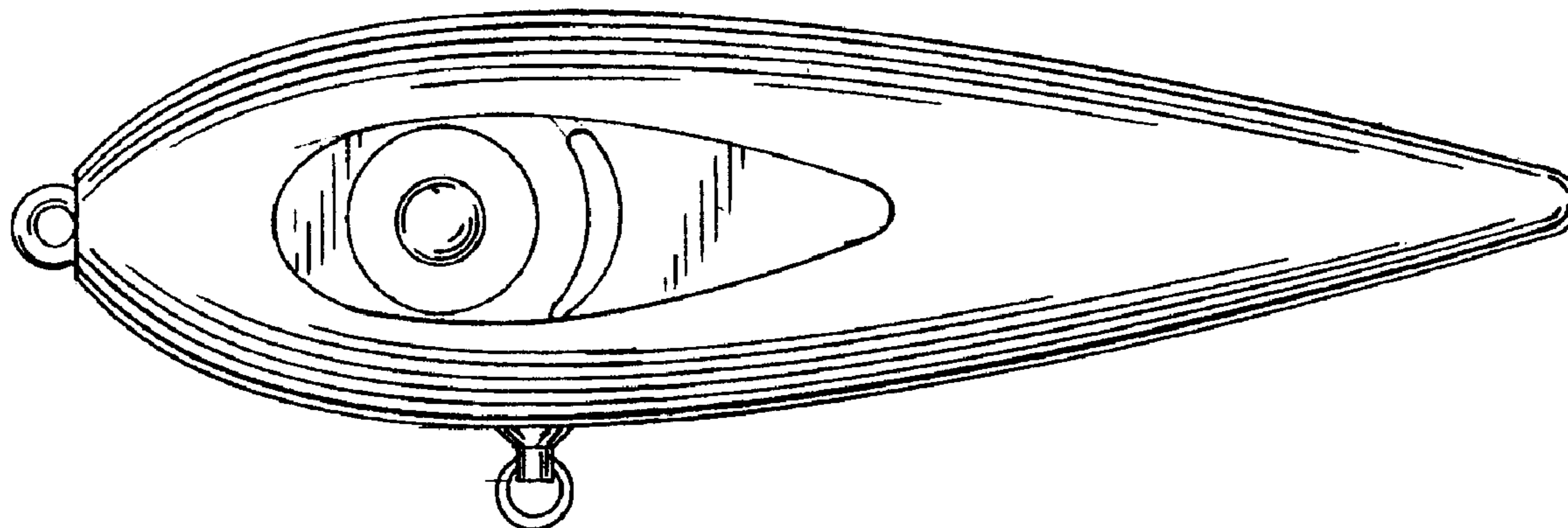


FIG. 1

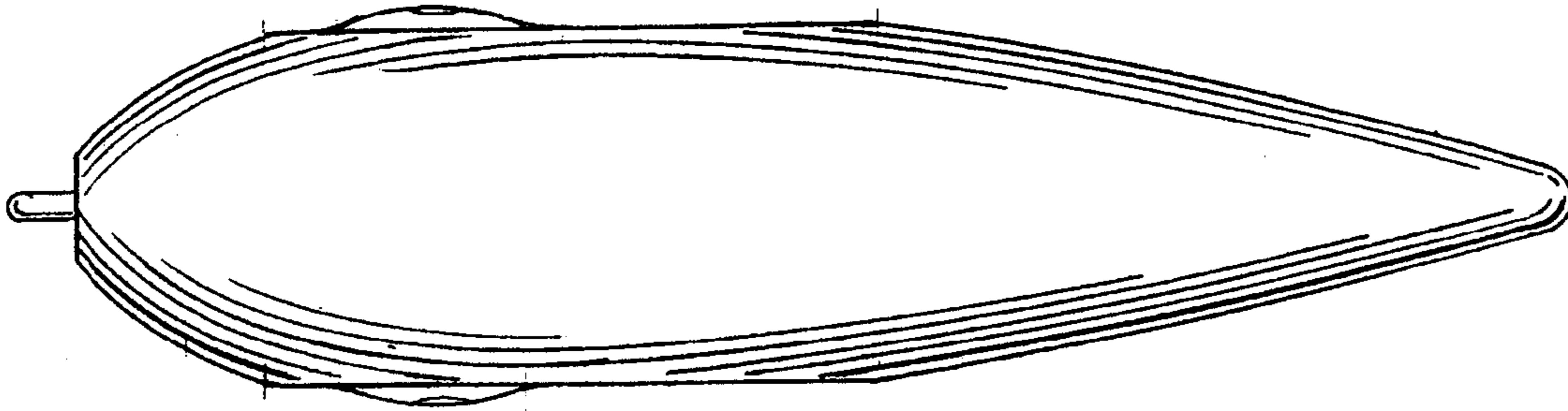


FIG. 2

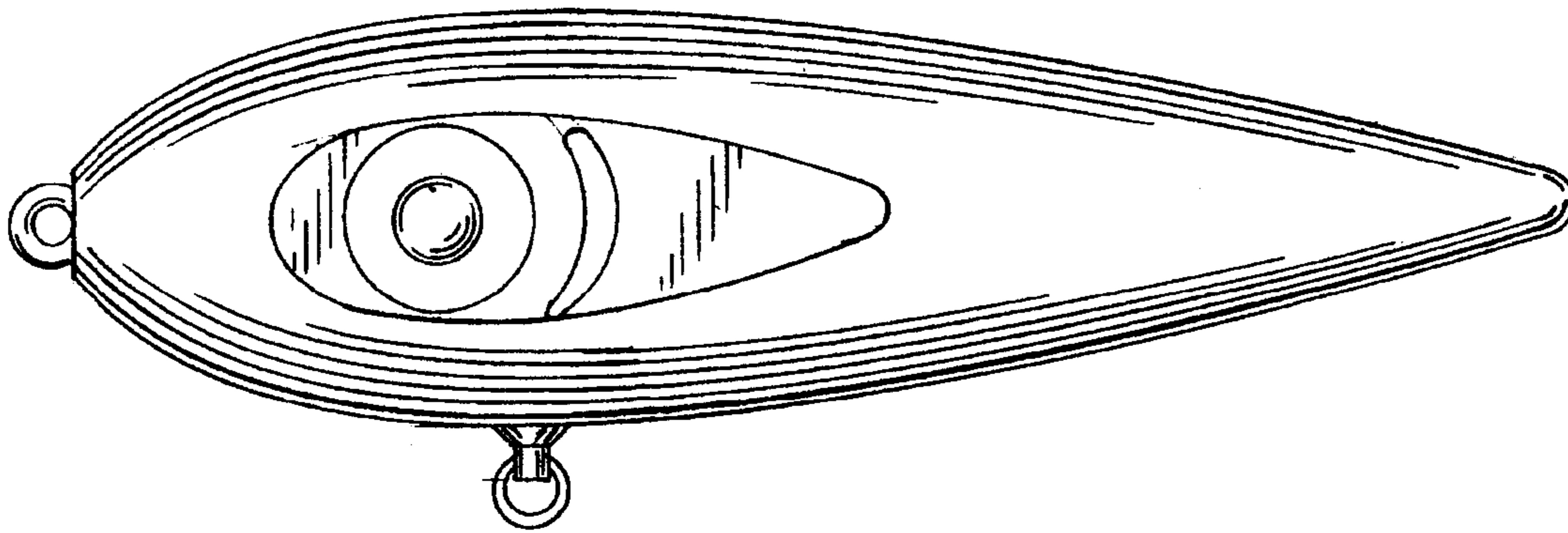


FIG. 3

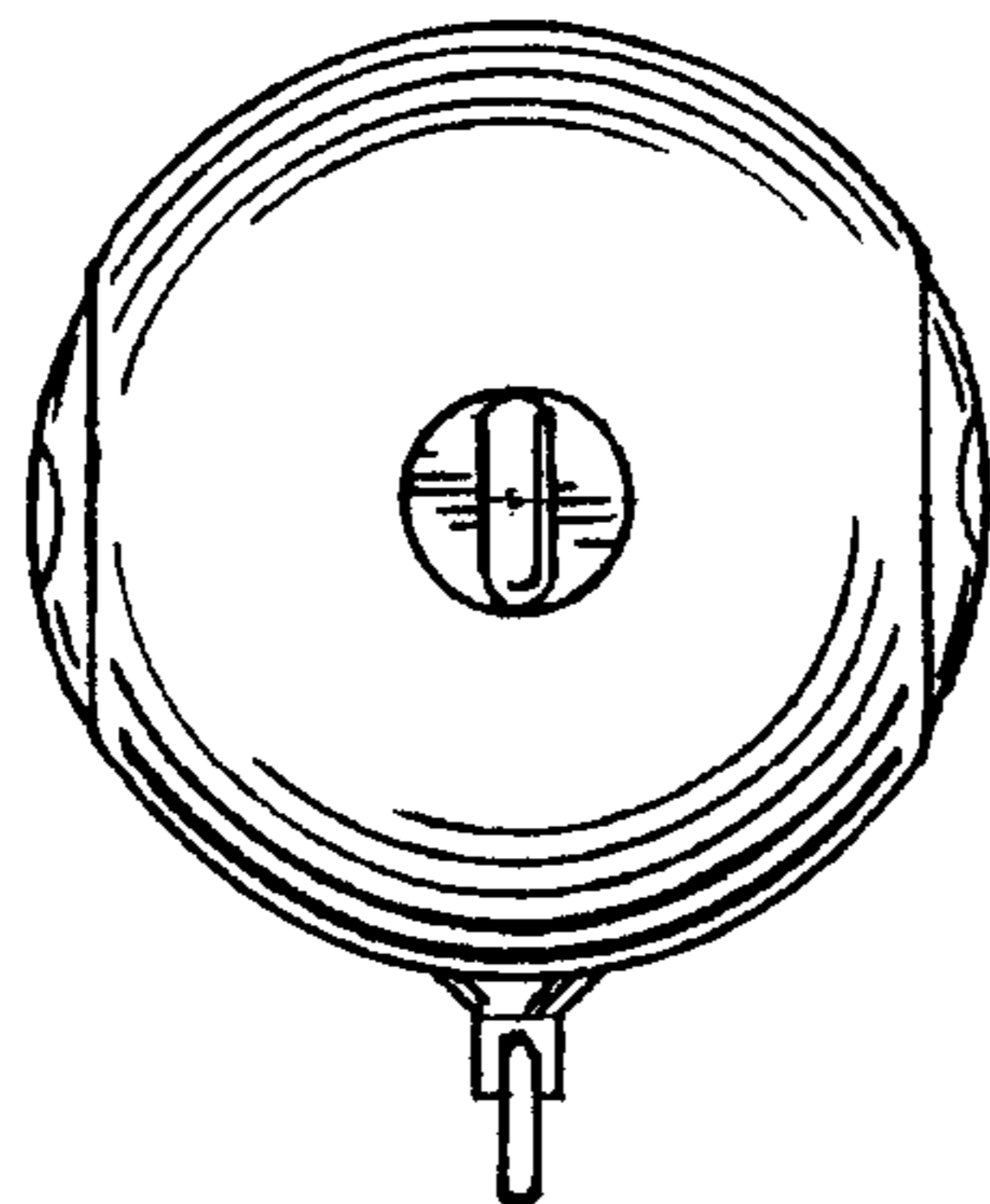


FIG. 4

