



US00D513055S

(12) **United States Design Patent**
Lahti

(10) **Patent No.:** **US D513,055 S**
(45) **Date of Patent:** **** Dec. 20, 2005**

(54) **RIFLE SIGHTING STAND**

(76) Inventor: **Arne W. Lahti**, P.O. Box 453, 68565
Range Line Rd., Iron River, WI (US)
54847

(**) Term: **14 Years**

(21) Appl. No.: **29/186,937**

(22) Filed: **Jul. 24, 2003**

(51) **LOC (6) Cl.** **22-01**

(52) **U.S. Cl.** **D22/108; D22/103**

(58) **Field of Search** **D22/108, 199;**
42/94, 106; 73/167; 89/36.01; 248/177.1,
425

(56) **References Cited**

U.S. PATENT DOCUMENTS

3,703,046	A	*	11/1972	Barone et al.	42/94
4,558,531	A	*	12/1985	Kilby	42/94
5,067,268	A	*	11/1991	Ransom	42/94
D387,123	S	*	12/1997	Hughes et al.	D22/108
5,913,668	A	*	6/1999	Messer	42/94
6,272,785	B1	*	8/2001	Mika et al.	42/94
D471,248	S	*	3/2003	Jacobs	D22/108
6,574,899	B1	*	6/2003	Mostello	42/94

OTHER PUBLICATIONS

Gary Paul Johnston's 1998 article featured in *Guns & Weapons for Law Enforcement* as disclosed on <http://www-lahticompany.com/review.html>.*

U.S. Appl. No. 10/752,877, filed Jul. 2004, Deros et al.*
Pamphlet, "The Lahti Evaluator", (no date provided).

* cited by examiner

Primary Examiner—Cathy Anne MacCormac
Assistant Examiner—Melanie Levy
(74) *Attorney, Agent, or Firm*—Nikolai & Mersereau, P.A.;
Thomas J. Nikolai

(57) **CLAIM**

The ornamental design for the "rifle sighting stand," as shown and described.

DESCRIPTION

FIG. 1 is a perspective view of a rifle sighting stand showing my design;

FIG. 2 is a top elevational view thereof;

FIG. 3 is a bottom plain view thereof;

FIG. 4 is a right-side elevational view thereof;

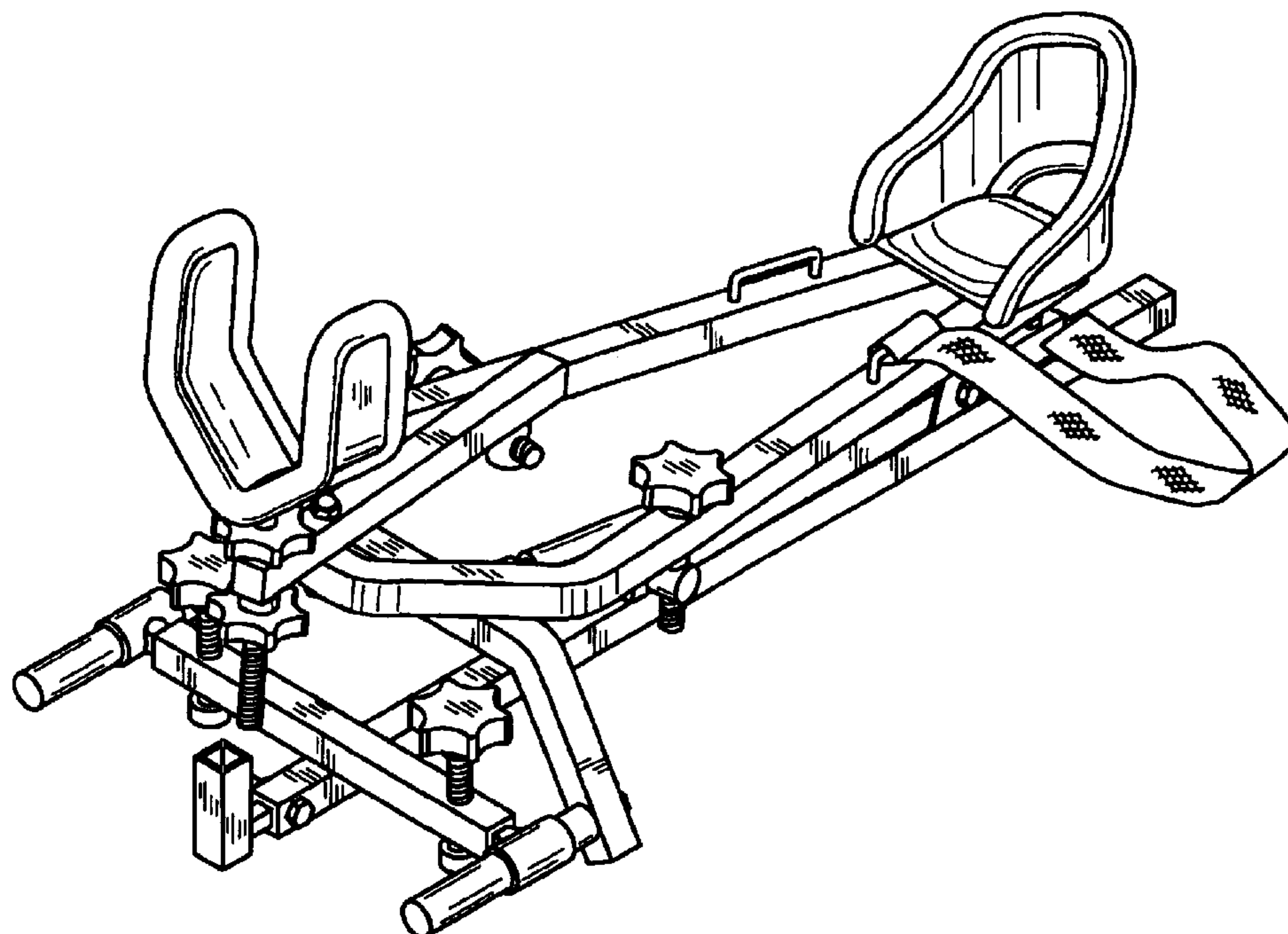
FIG. 5 is a left side elevational view thereof;

FIG. 6 is a rear elevational view thereof;

FIG. 7 is a front elevational view thereof; and,

FIG. 8 is a side elevational view thereof. The broken lines are for illustrative purposes only, and form no part of the claimed design.

1 Claim, 7 Drawing Sheets



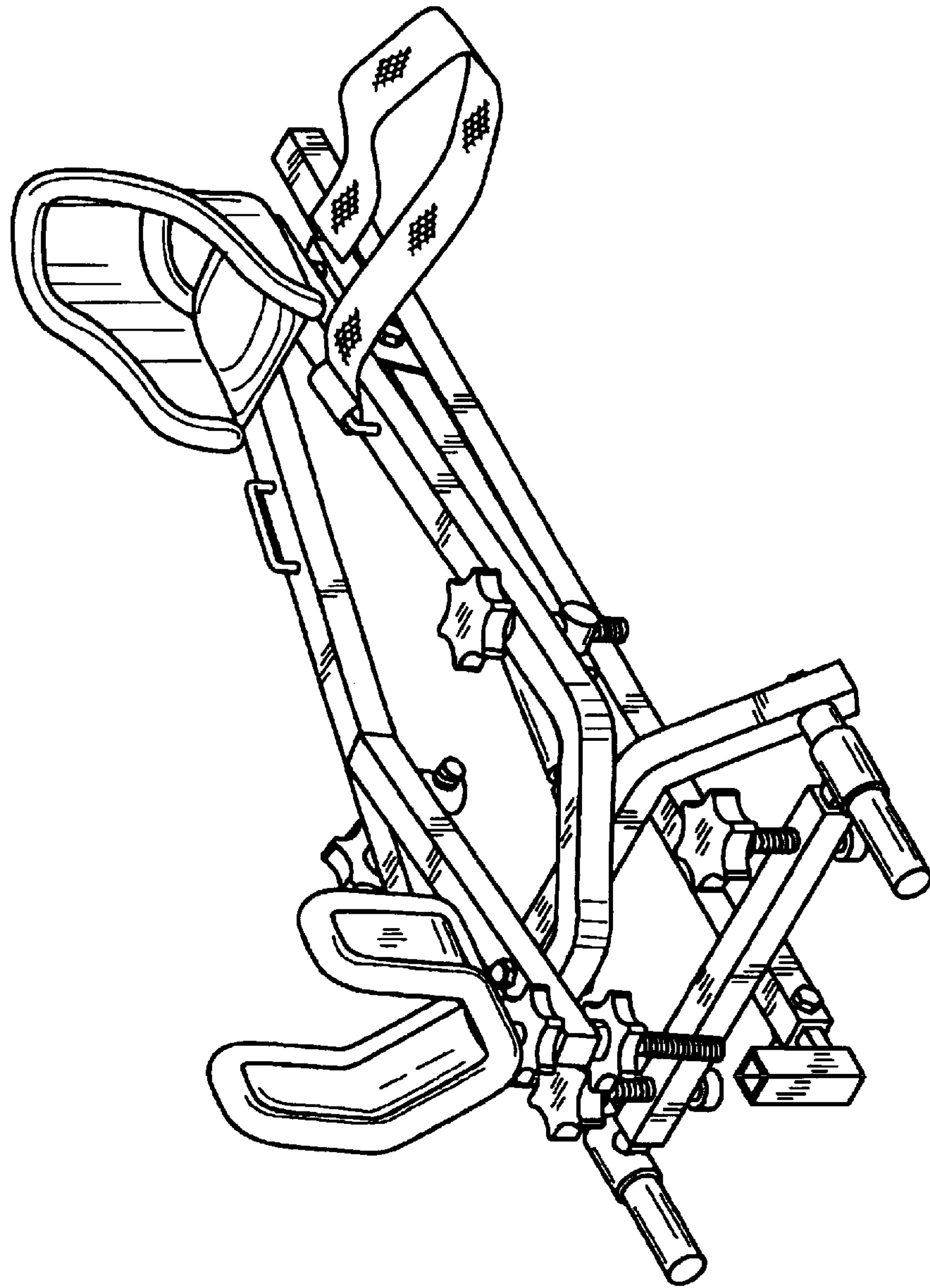


FIG. 1

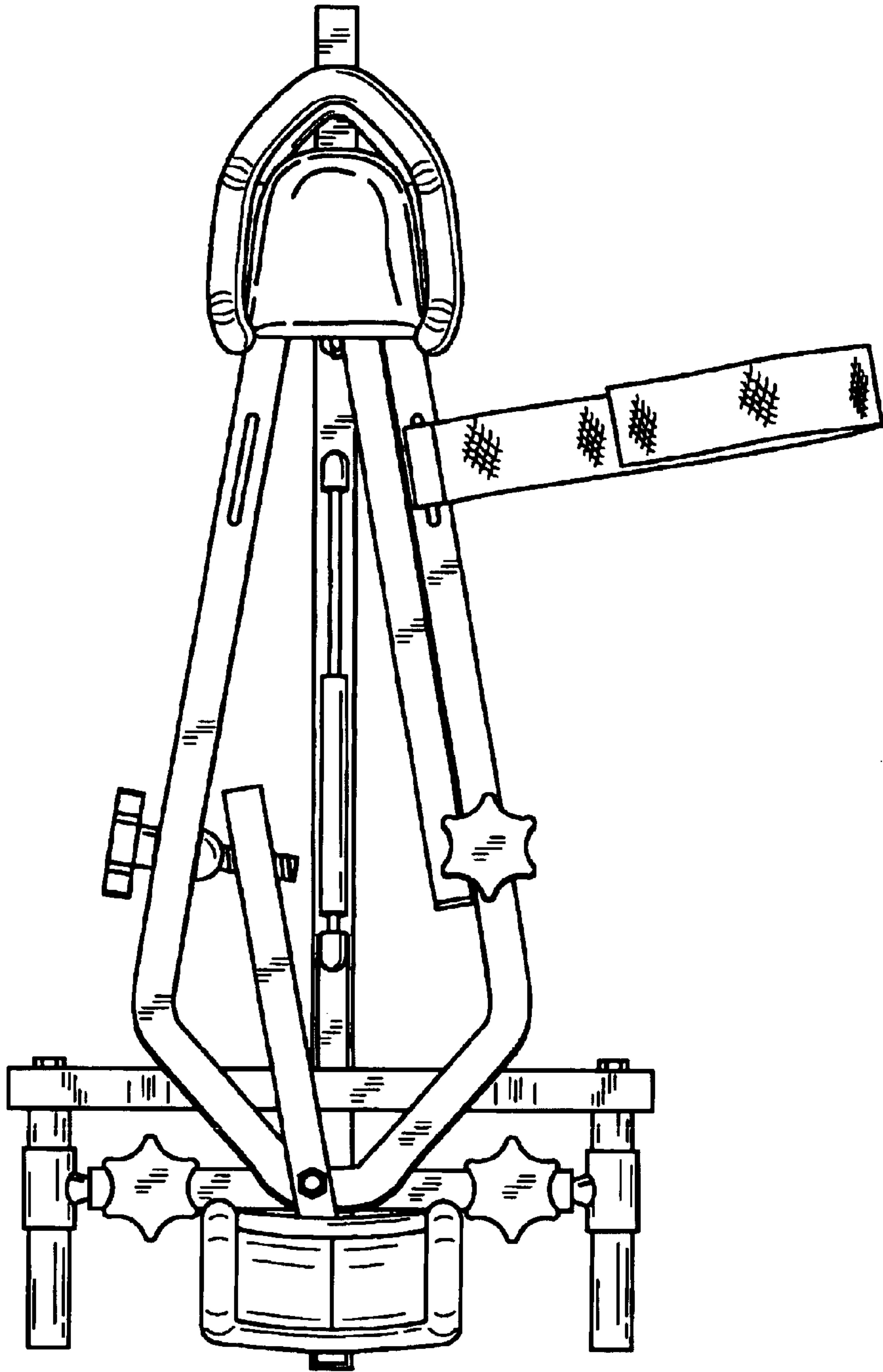


FIG. 2

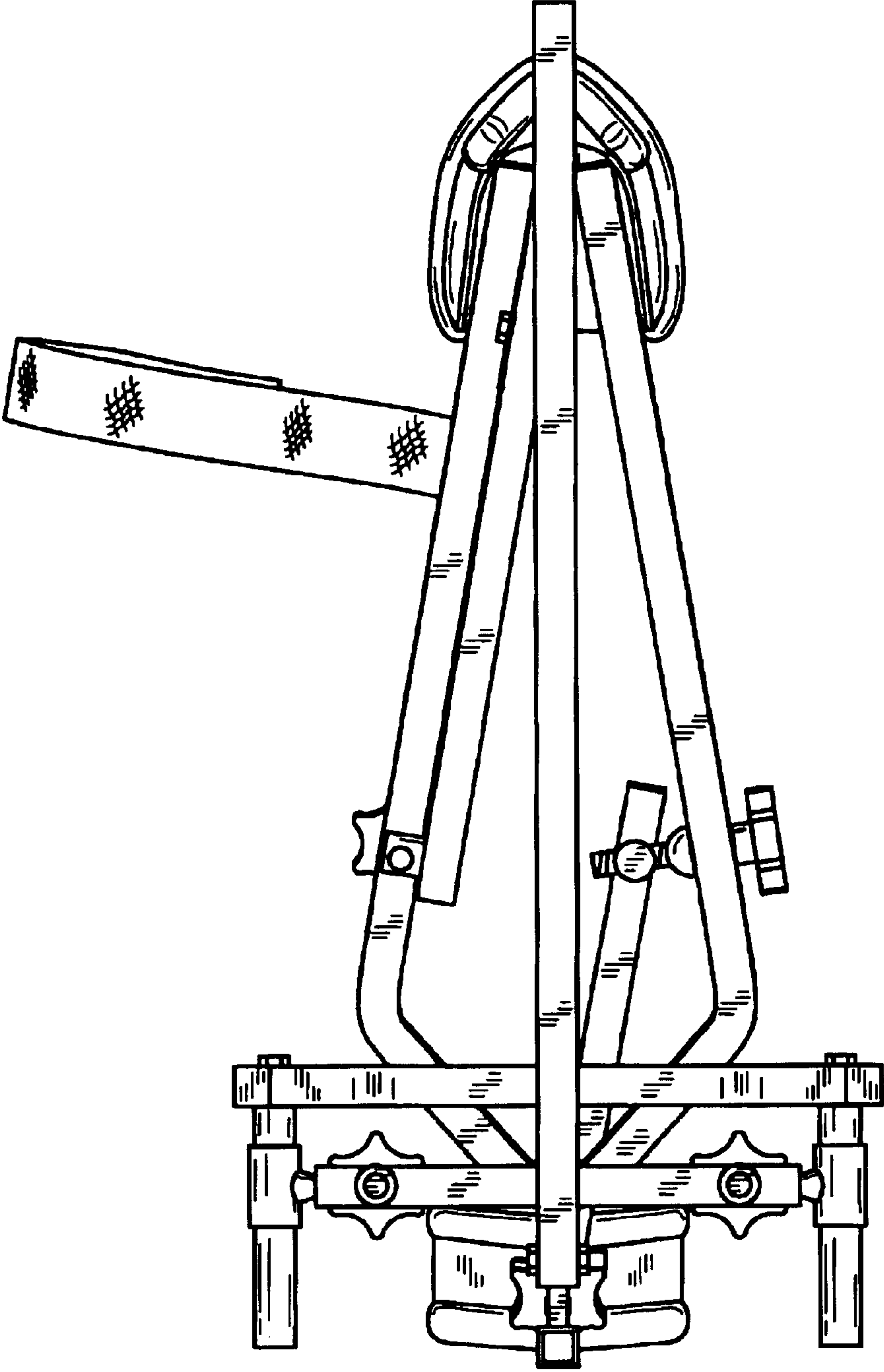


FIG. 3

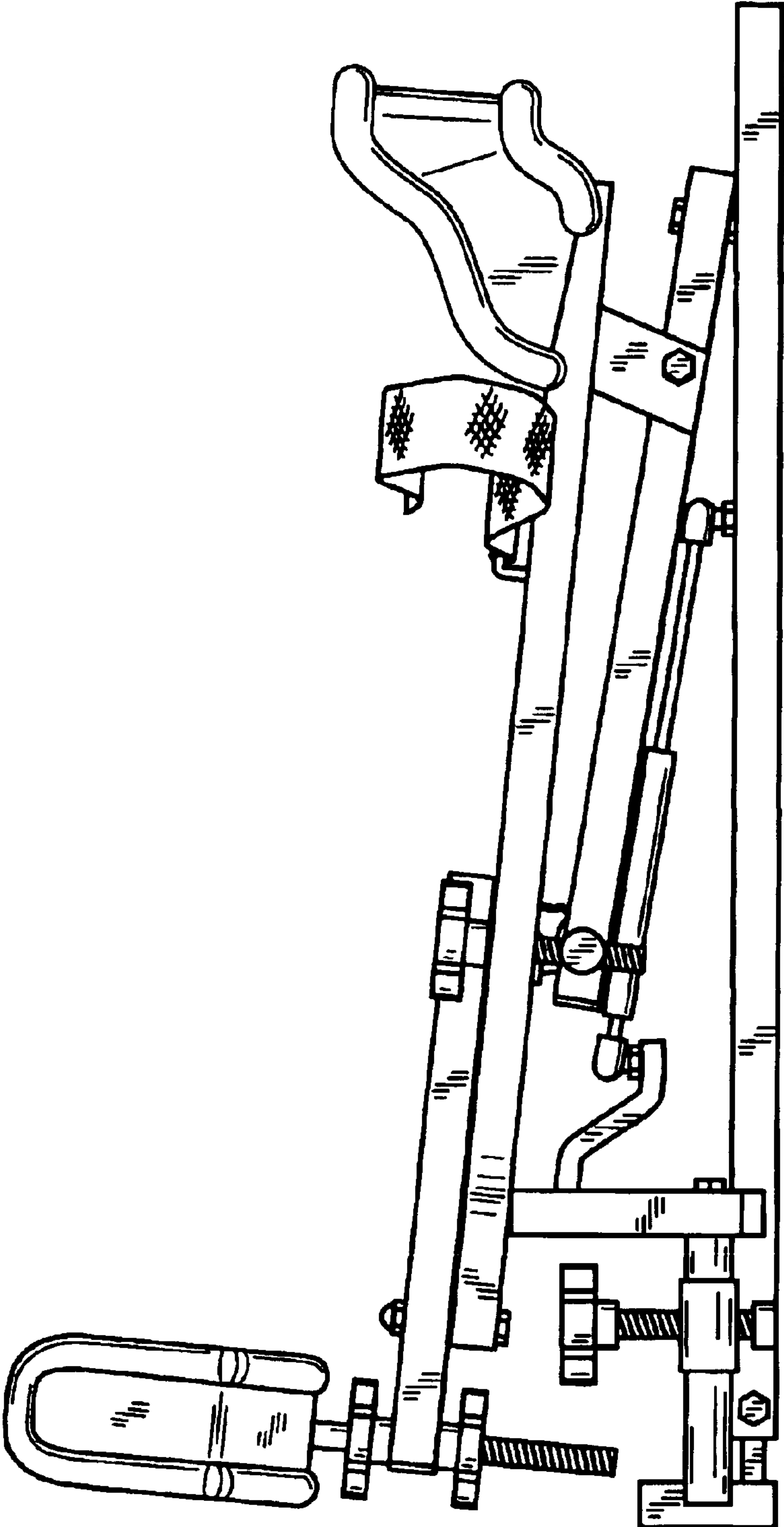


FIG. 4

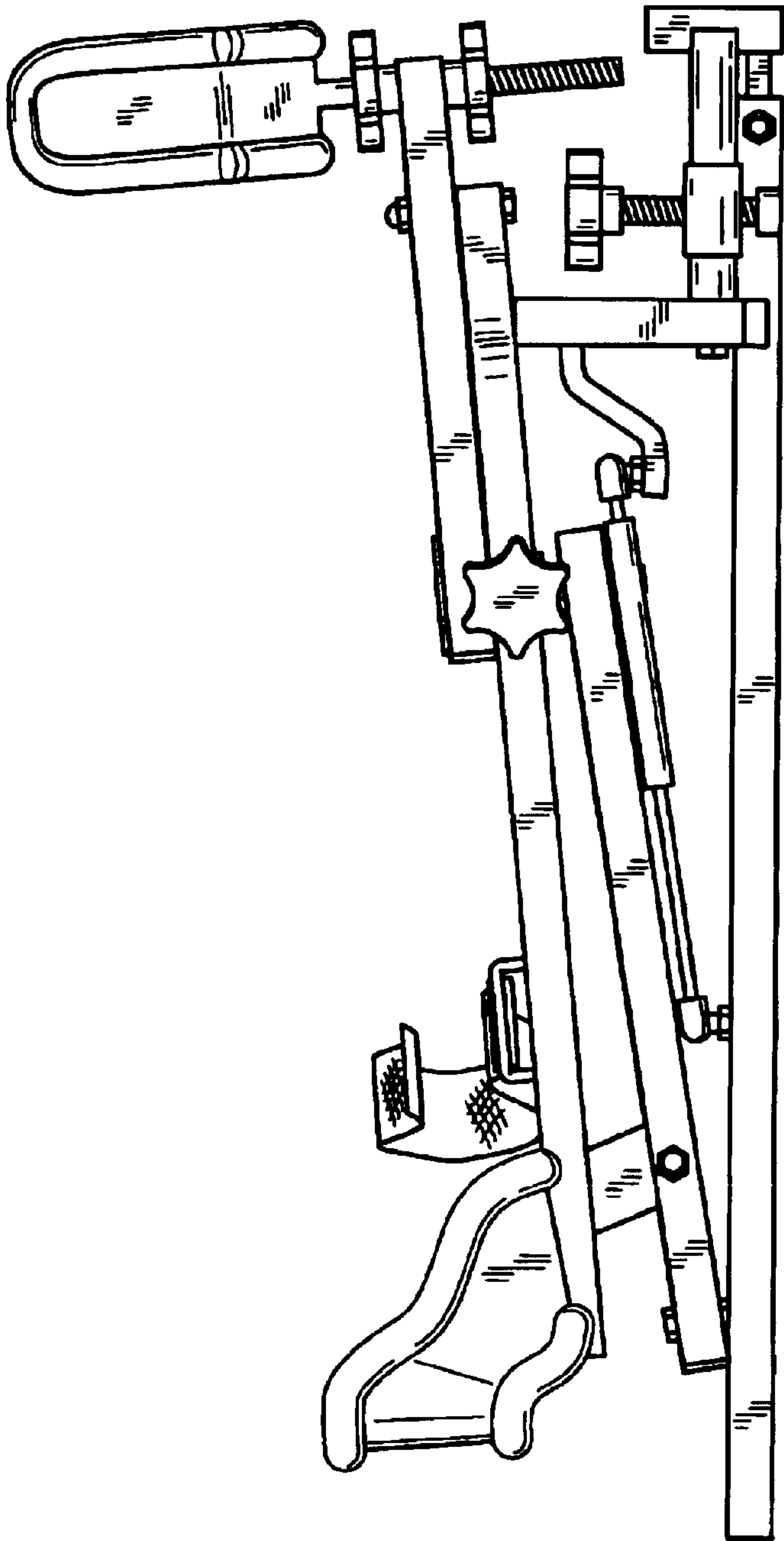


FIG. 5

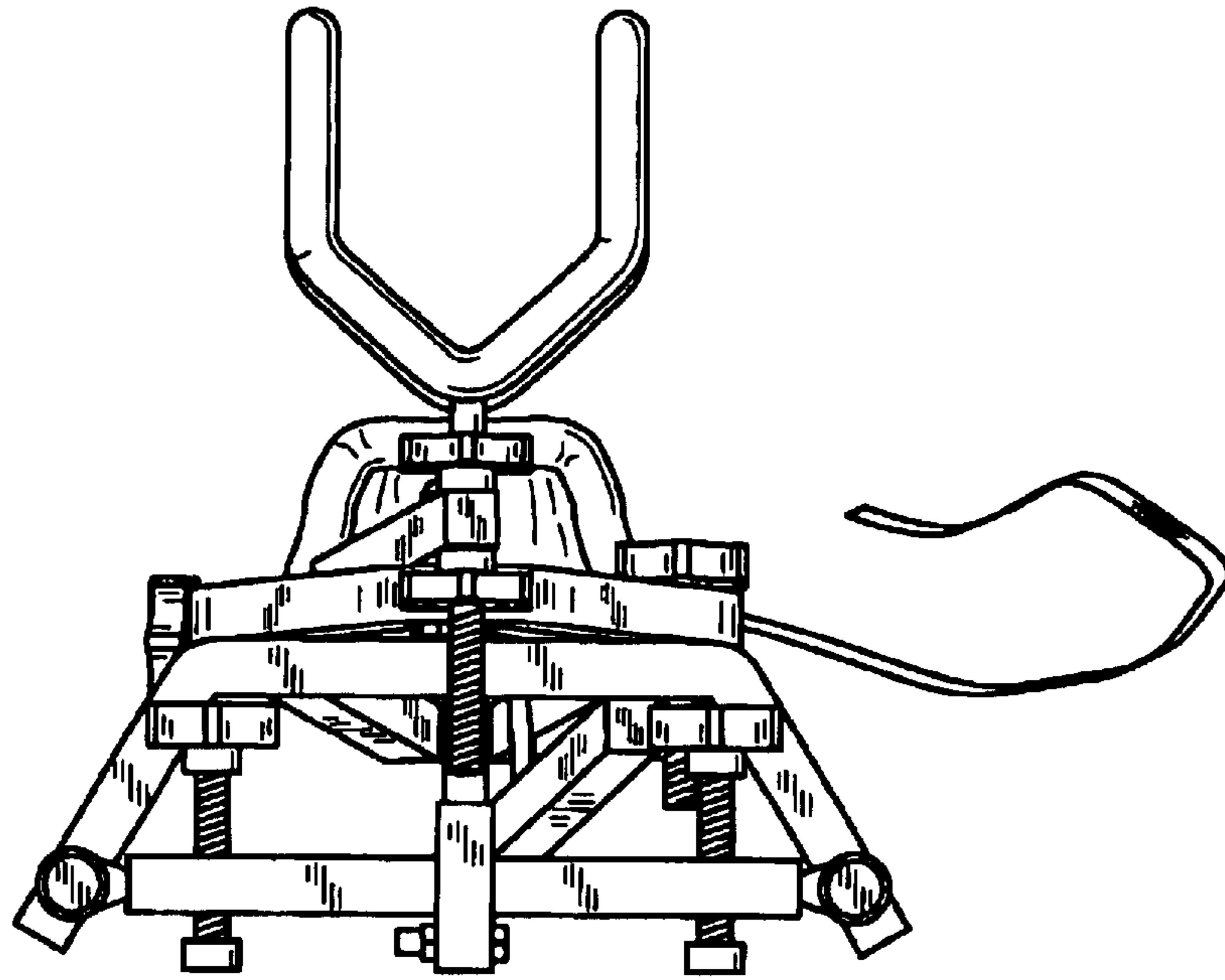


FIG. 6

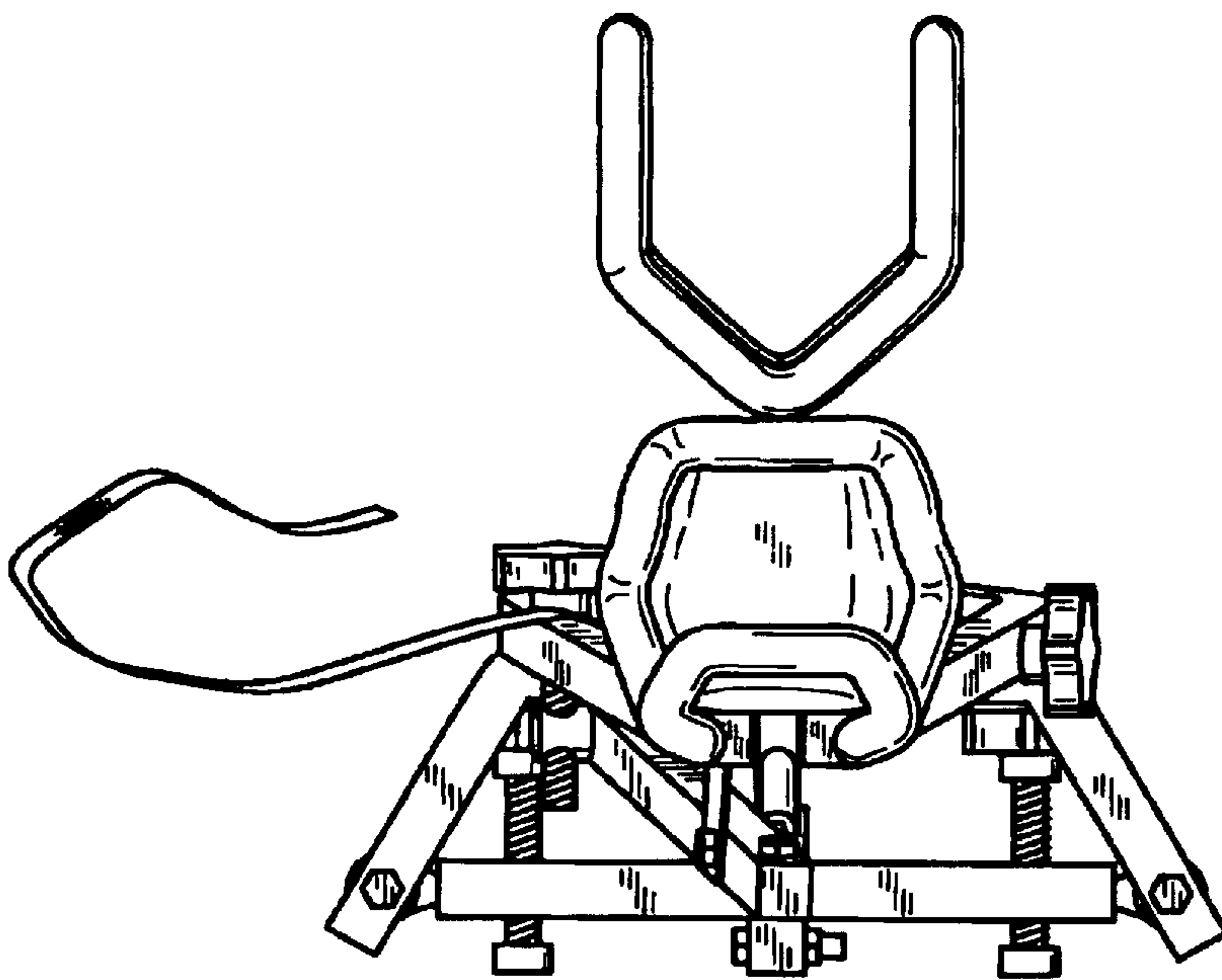


FIG. 7

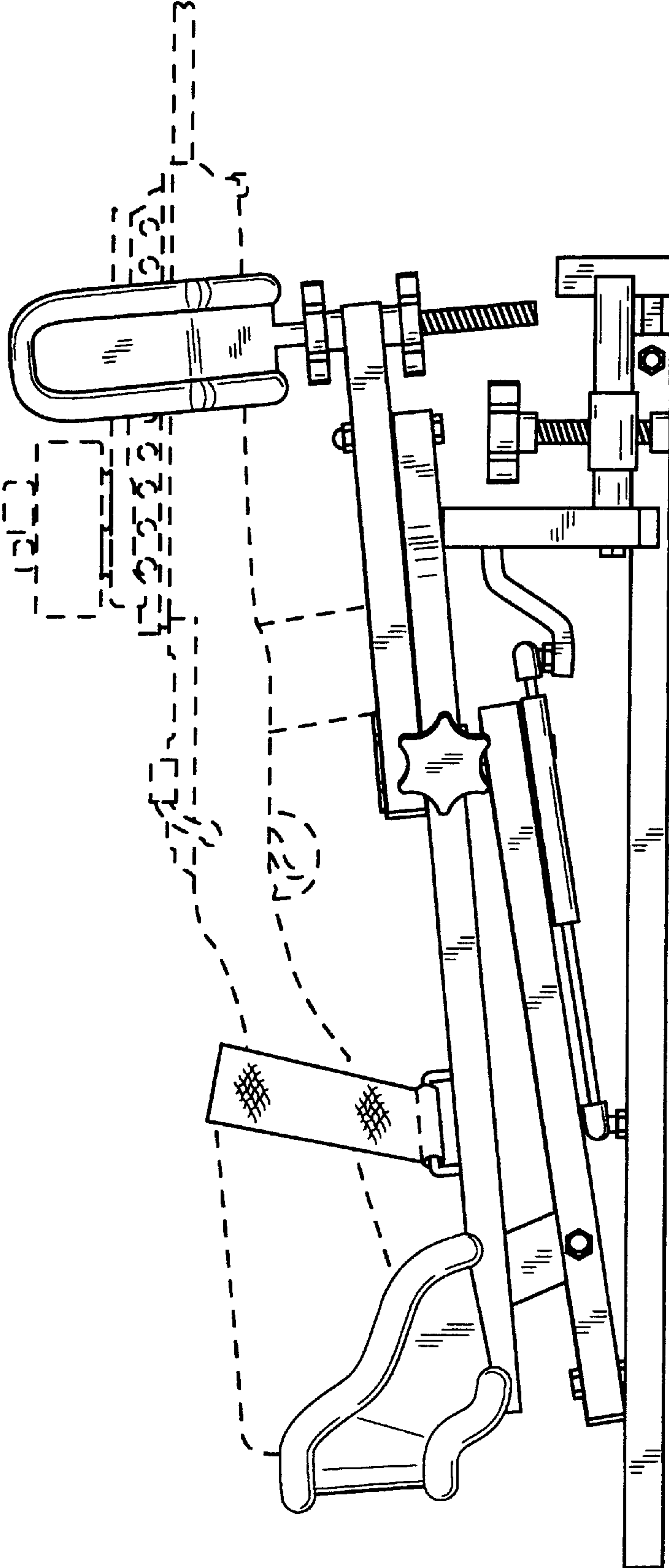


FIG. 8