



US00D513054S

(12) **United States Design Patent**  
**Auberger**

(10) **Patent No.:** **US D513,054 S**

(45) **Date of Patent:** **\*\* Dec. 20, 2005**

(54) **HIGH VISIBILITY BARRIER**

(75) **Inventor:** **M. Benoît Auberger**, La Fôret sur Sèvre (FR)

(73) **Assignee:** **Wesco Company S.A.**, Cerizay (FR)

(\*\*) **Term:** **14 Years**

(21) **Appl. No.:** **29/208,442**

(22) **Filed:** **Jun. 29, 2004**

(30) **Foreign Application Priority Data**

Dec. 29, 2003 (EM) ..... 000119441-0025

(51) **LOC (6) Cl.** ..... **21-03**

(52) **U.S. Cl.** ..... **D21/814**

(58) **Field of Search** ..... D21/811, 814,  
D21/818-827, 493; 482/35, 36; D25/50,  
39, 38; 446/35, 314, 124, 125

(56) **References Cited**

**U.S. PATENT DOCUMENTS**

D353,867 S \* 12/1994 Houry et al. .... D21/814

D354,108 S \* 1/1995 Houry et al. .... D21/814  
D367,308 S \* 2/1996 Kelley et al. .... D21/814  
D401,640 S \* 11/1998 Van Wagenen ..... D21/811  
D430,255 S \* 8/2000 Yates et al. .... D21/814  
D502,550 S \* 3/2005 Walker ..... D25/38

\* cited by examiner

*Primary Examiner*—Mitchell Siegel

(74) *Attorney, Agent, or Firm*—Horst M. Kasper

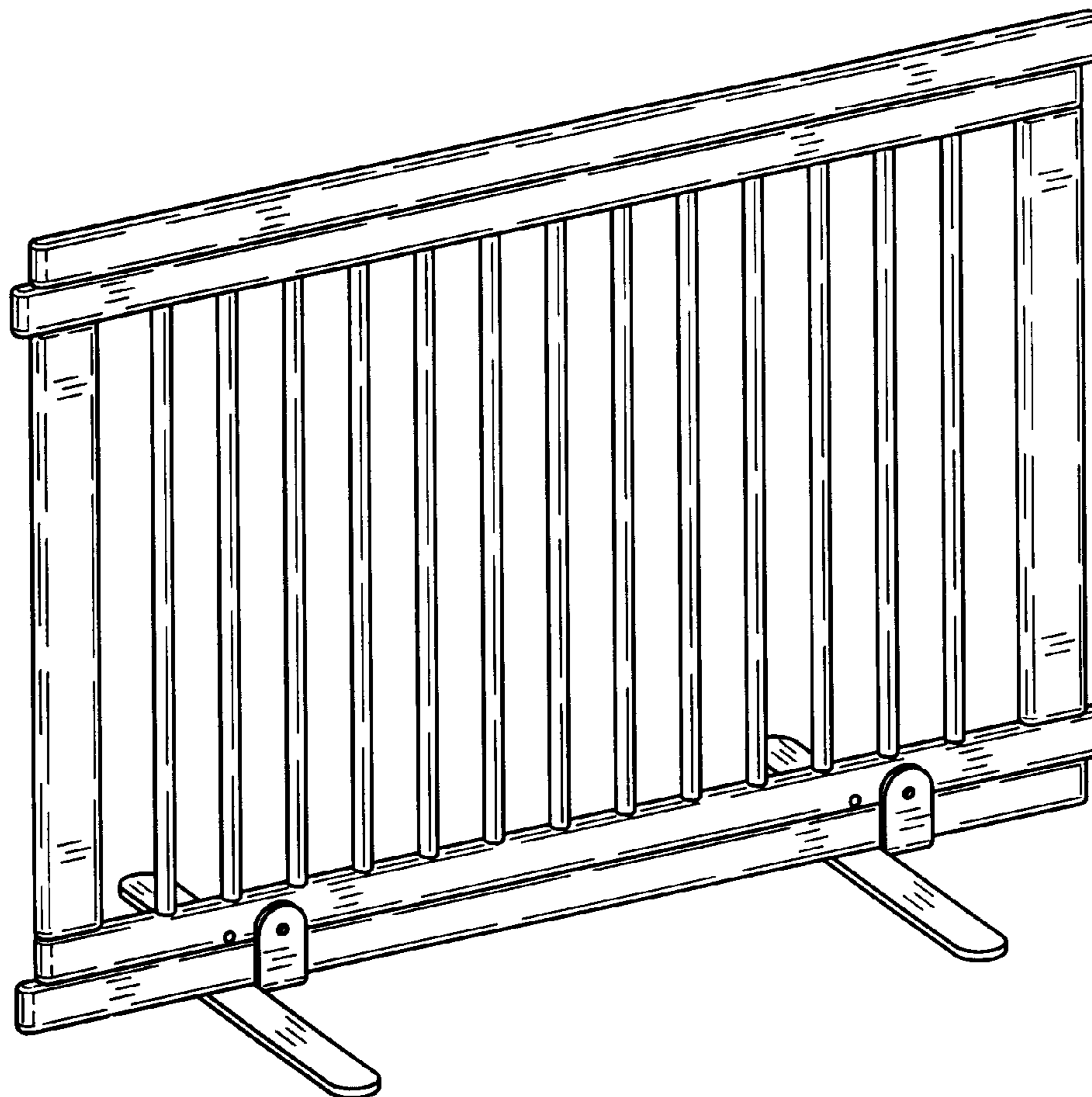
(57) **CLAIM**

The ornamental design for high visibility barrier, as shown and described.

**DESCRIPTION**

FIG. 1 is a front elevational view of high visibility barrier  
FIG. 2 is a top plan view thereof;  
FIG. 3 is a side elevational view thereof;  
FIG. 4 is a rear side elevational view thereof;  
FIG. 5 is a bottom side elevational view thereof; and,  
FIG. 6 is a front and side perspective view of high visibility barrier.

**1 Claim, 3 Drawing Sheets**



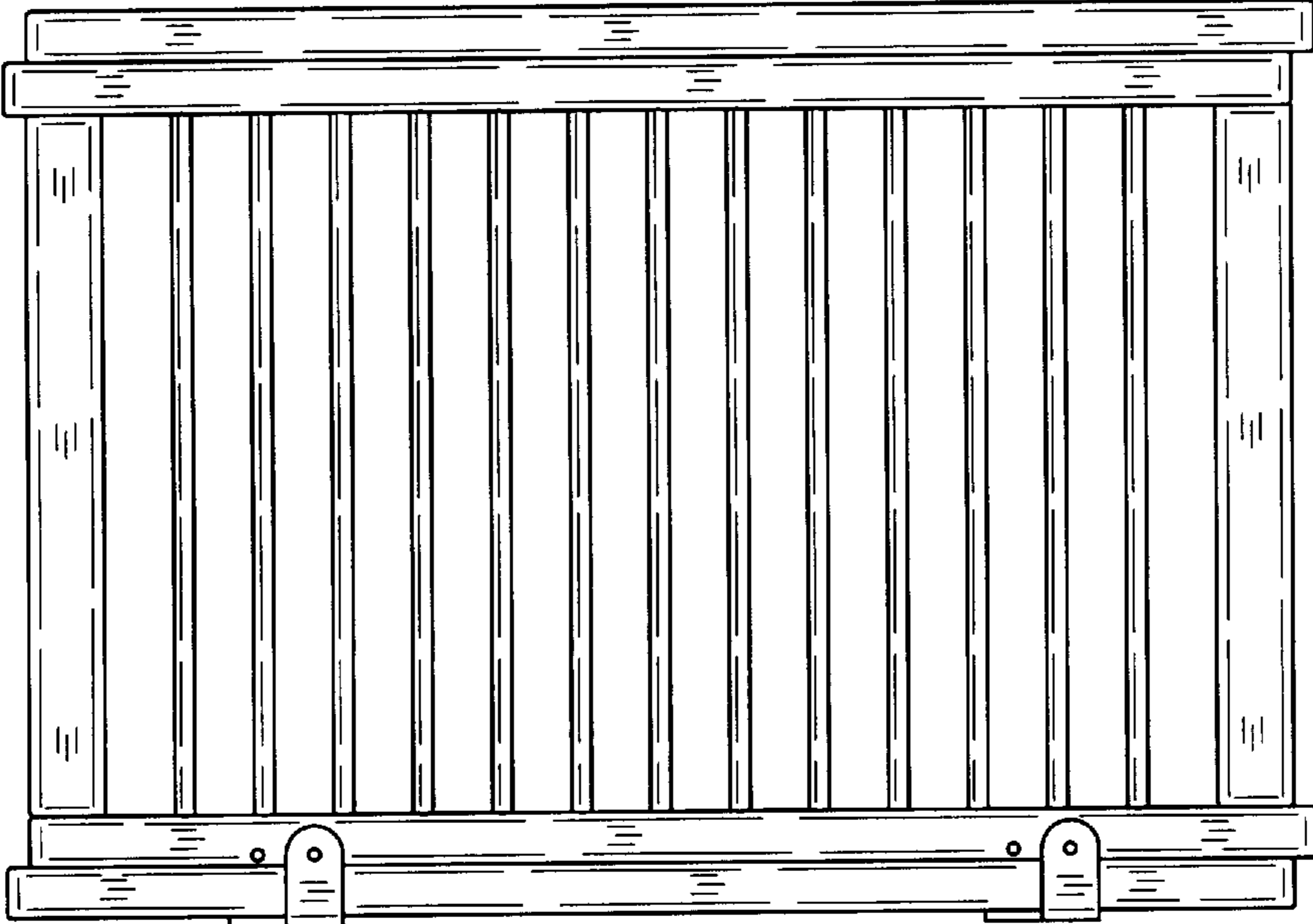


Fig. 1

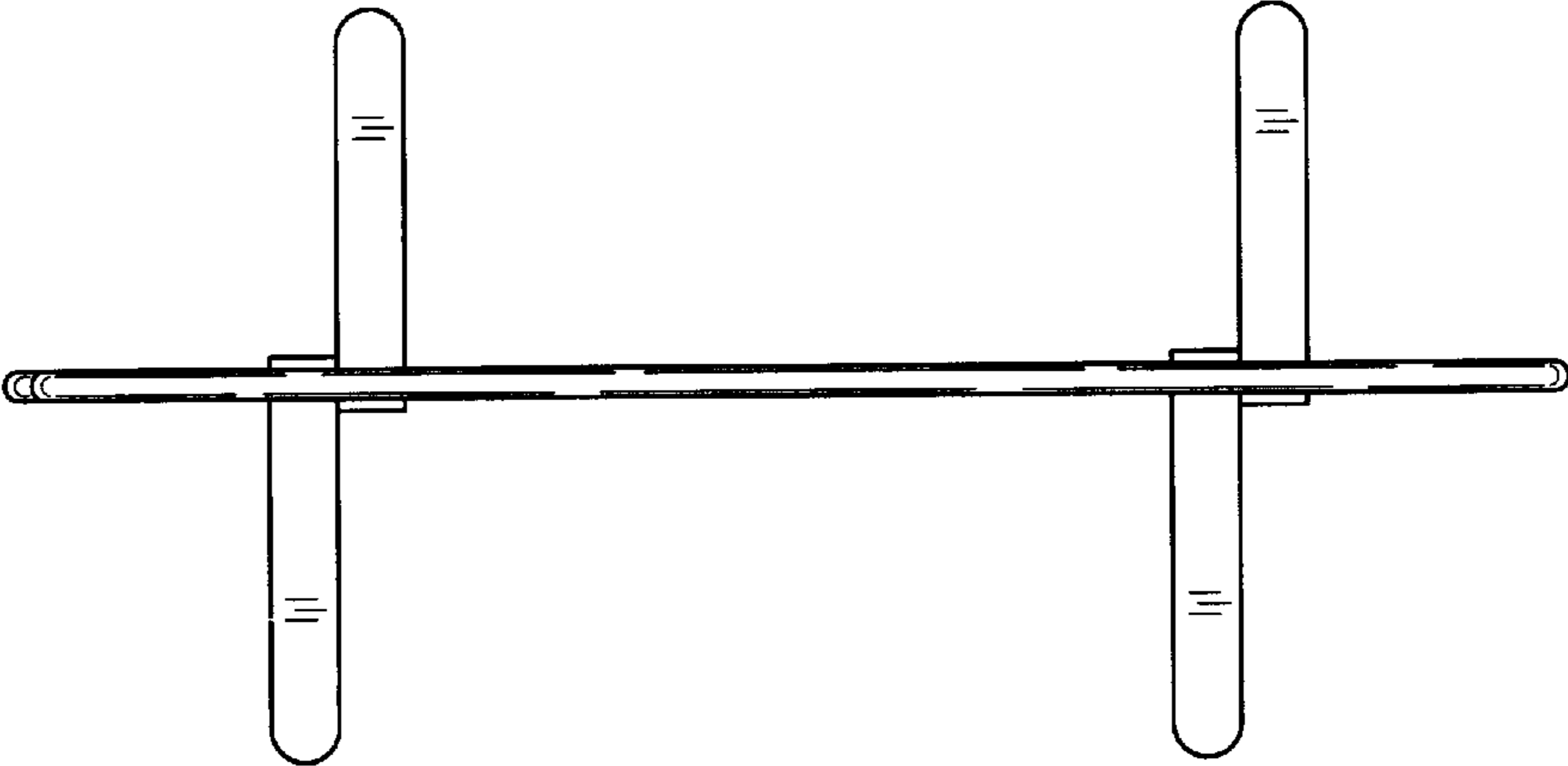


Fig. 2

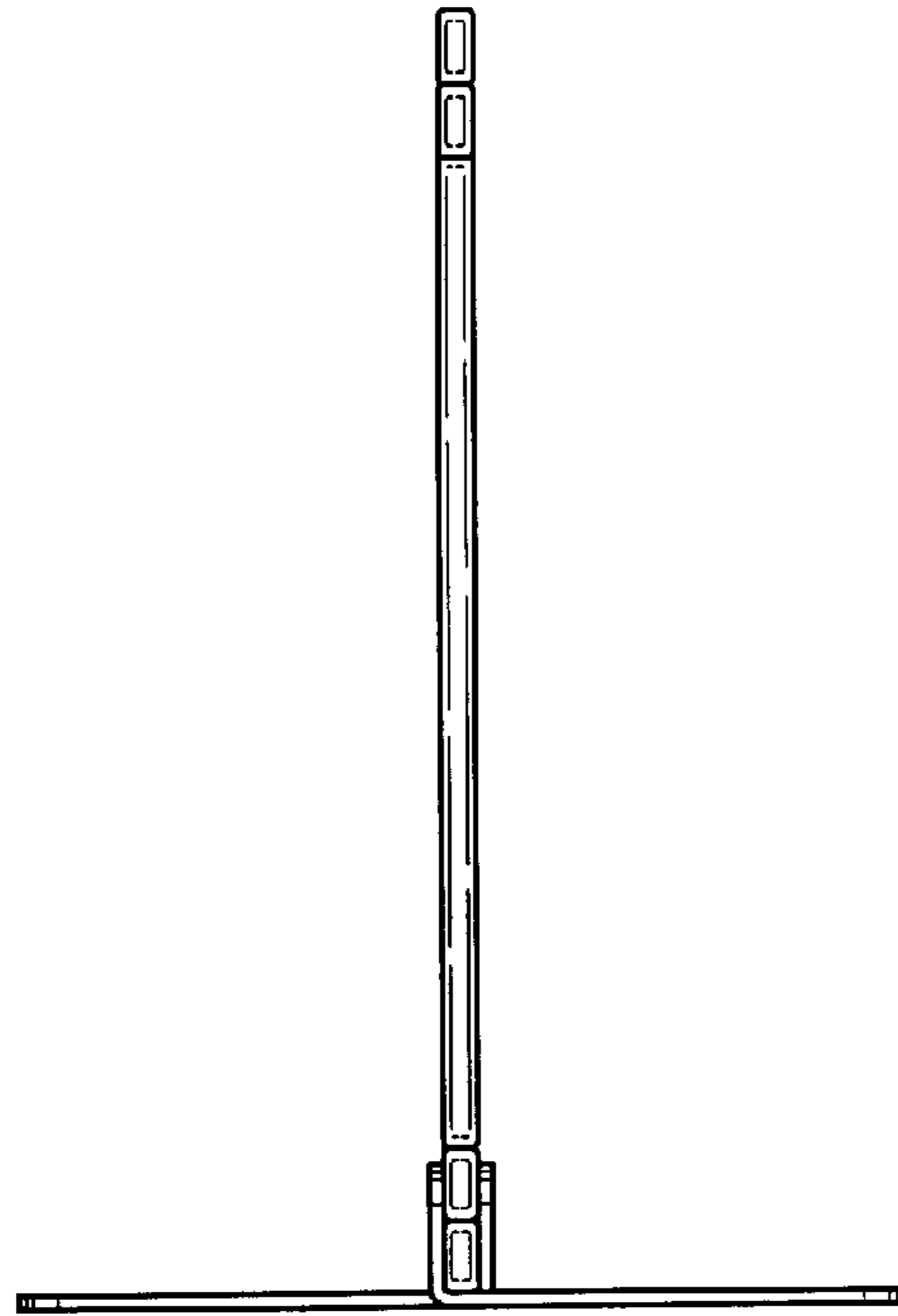


Fig. 3

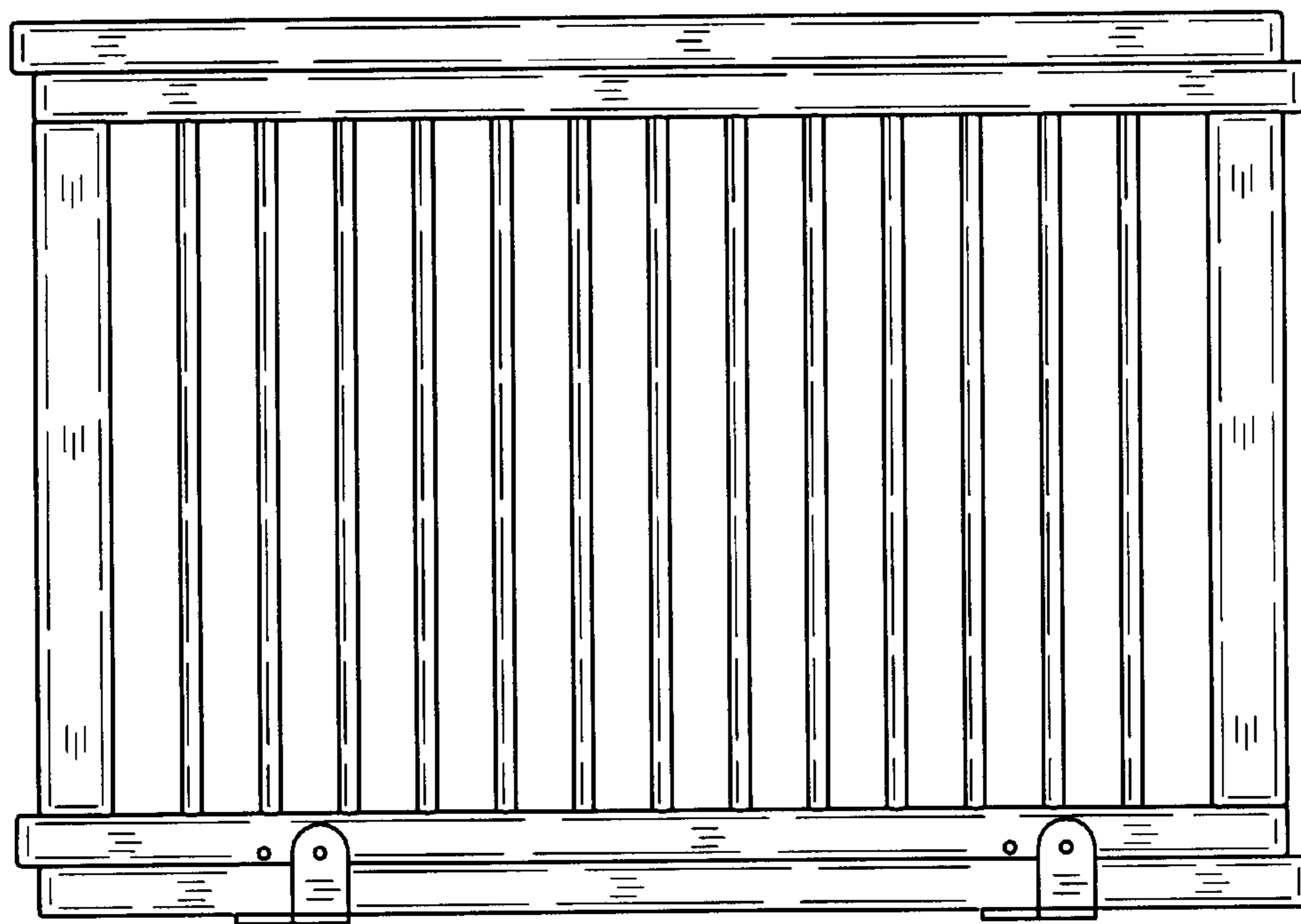


Fig. 4

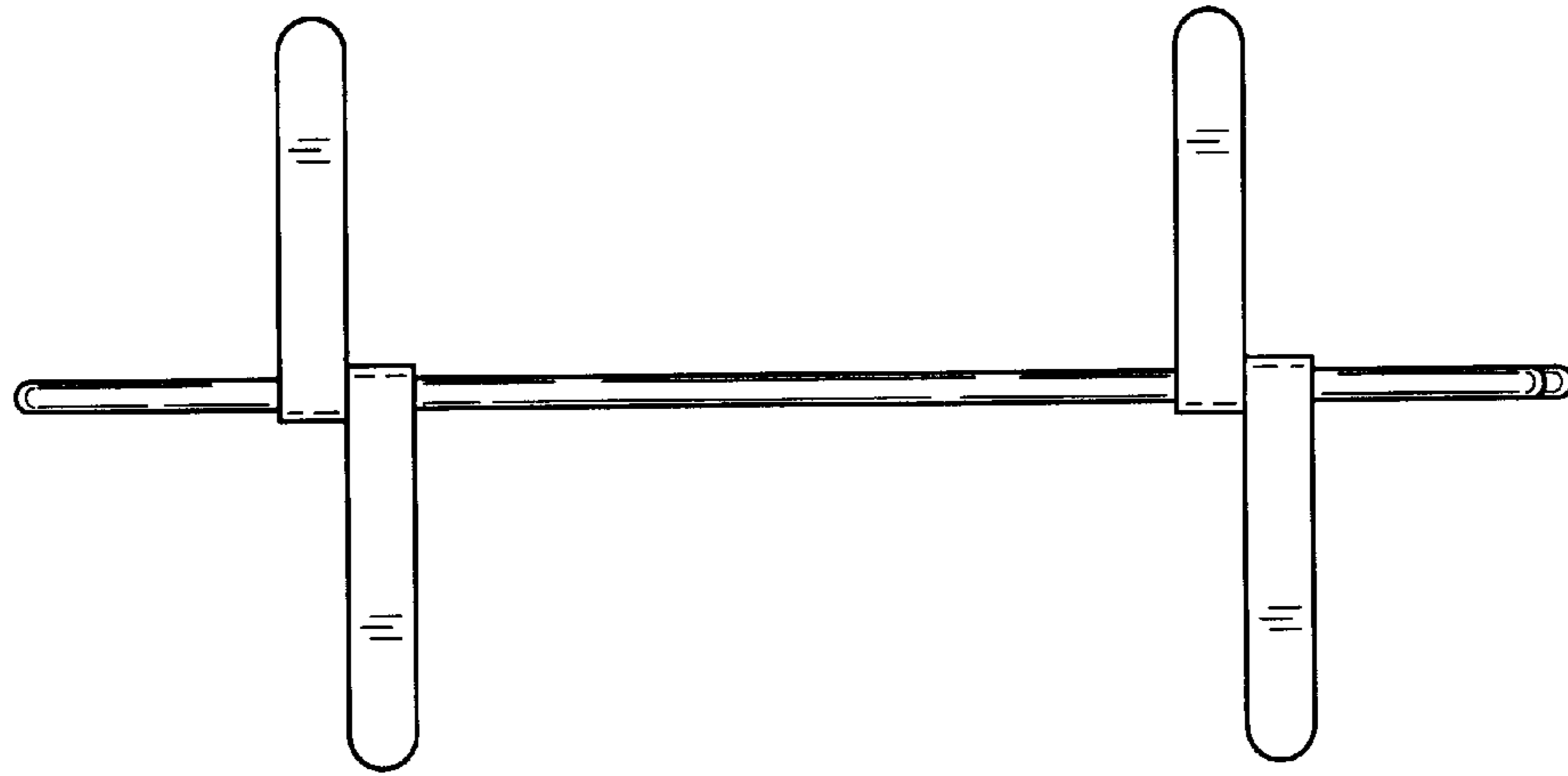


Fig. 5

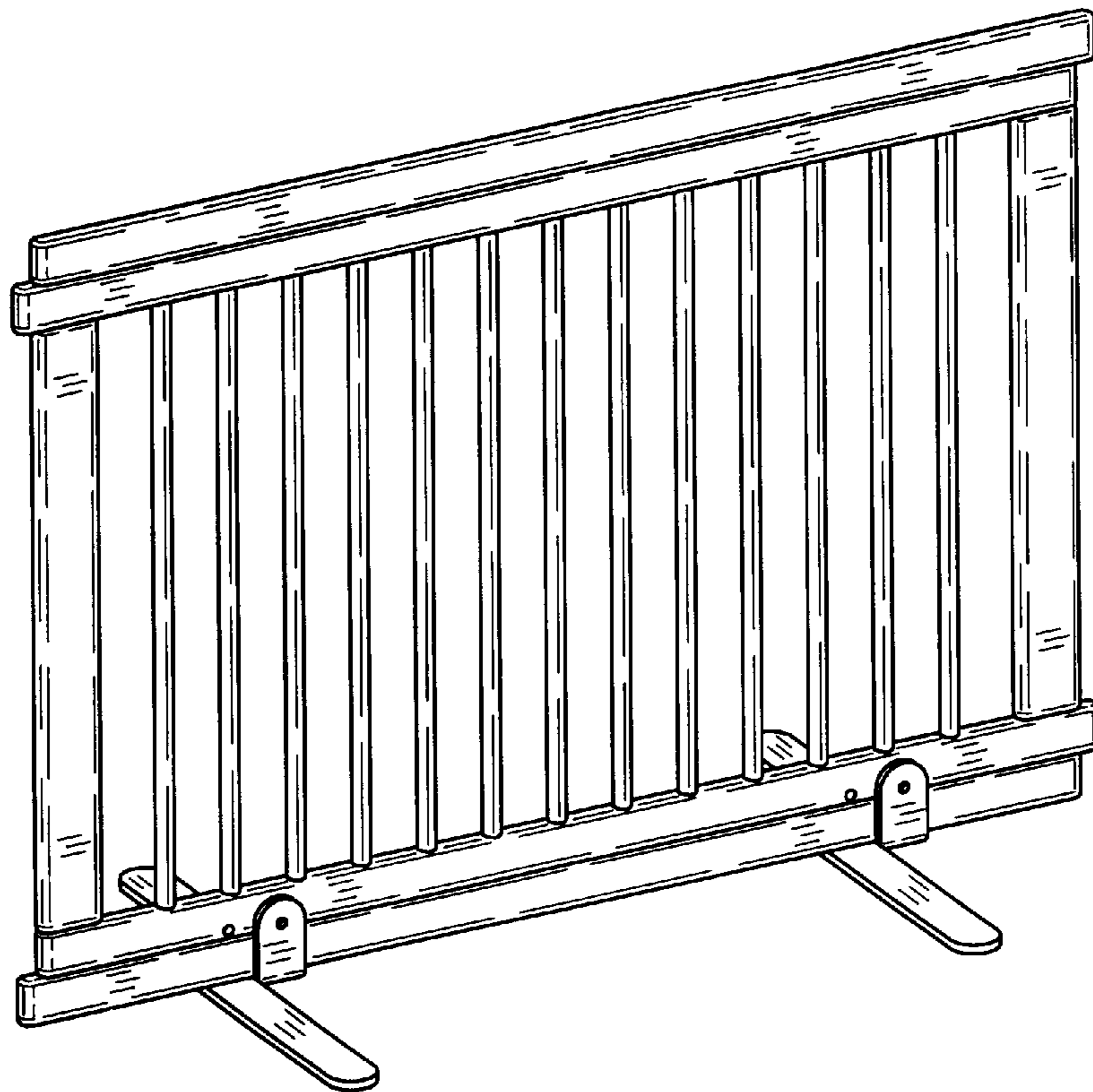


Fig. 6