

US00D513051S

(12) **United States Design Patent** (10) **Patent No.:** **US D513,051 S**  
**Barez et al.** (45) **Date of Patent:** **\*\* Dec. 20, 2005**

(54) **GOLF CLUB HEAD**

D501,235 S \* 1/2005 Imamoto ..... D21/752  
2002/0137576 A1 9/2002 Dammen

(75) Inventors: **Craig Kevin Barez**, Temecula, CA (US); **Sean Toulon**, Vista, CA (US); **Robert Michael Nunez**, San Pedro, CA (US); **Allan C. Saliba**, Oceanside, CA (US); **Todd P. Beach**, San Diego, CA (US); **Sherry Lynn Jones**, Pataskala, OH (US); **Paul Perry Kolada**, Columbus, OH (US); **Chad Alan Haas**, Columbus, OH (US); **Michael A. Lorenz, Jr.**, Gahanna, OH (US); **Sean Wesley Svendsen**, Columbus, OH (US)

**FOREIGN PATENT DOCUMENTS**

JP 06-031421 2/1994

**OTHER PUBLICATIONS**

2003 Taylor Made Catalog, 7 pages.  
2004 Taylor Made Catalog, 8 pages.  
Rob Sauerhaft, Club '04 Test, Golf Magazine, May 2004, pp. 119-134.

\* cited by examiner

(73) Assignee: **Taylor Made Golf Company, Inc.**, Carlsbad, CA (US)

*Primary Examiner*—Mitchell Siegel

(74) *Attorney, Agent, or Firm*—Sheppard, Mullin, Richter & Hampton LLP

(\*\*) Term: **14 Years**

(57) **CLAIM**

(21) Appl. No.: **29/214,239**

We claim the ornamental design for a golf club head, as shown and described.

(22) Filed: **Sep. 28, 2004**

**DESCRIPTION**

(51) **LOC (6) Cl.** ..... **21-02**

(52) **U.S. Cl.** ..... **D21/752**

(58) **Field of Search** ..... D21/733, 752, D21/759; 473/324-331, 343-346

FIG. 1 is a front elevational view of an embodiment of a golf club head in accordance with our new design.

FIG. 2 is a rear elevational view of the golf club head of FIG. 1.

FIG. 3 is a top plan view of the golf club head of FIG. 1.

FIG. 4 is a bottom plan view of the golf club head of FIG. 1.

FIG. 5 is a right side elevational view of the golf club head of FIG. 1.

FIG. 6 is a left side elevational view of the golf club head of FIG. 1.

FIG. 7 is a top left perspective view of the golf club head of FIG. 1.

FIG. 8 is a top right perspective view of the golf club head of FIG. 1; and,

FIG. 9 is a bottom right perspective view of the golf club head of FIG. 1.

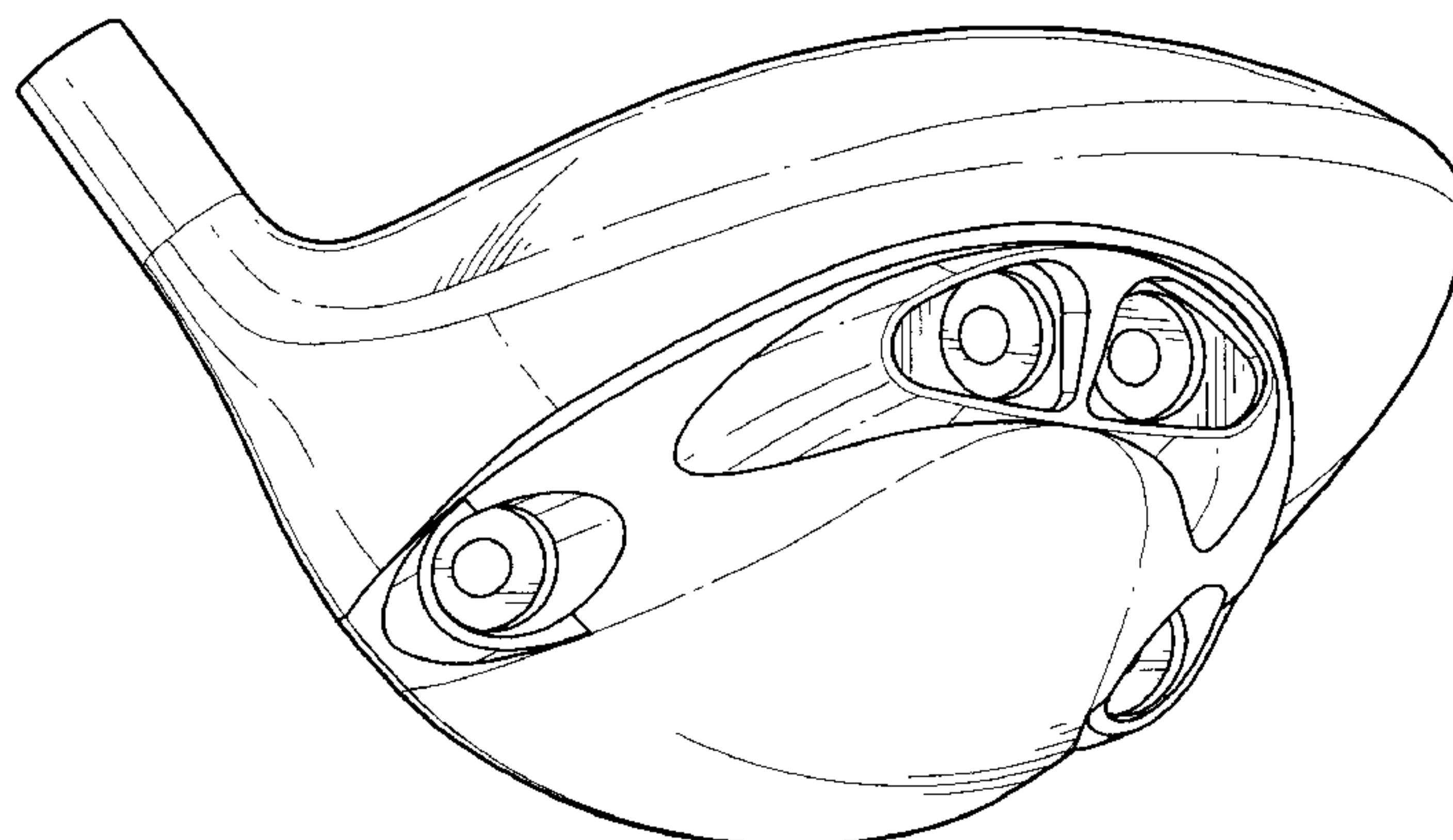
The broken line showing is for illustrative purposes only and forms no part of the claimed design.

(56) **References Cited**

**U.S. PATENT DOCUMENTS**

4,332,388 A	6/1982	Crow	
5,213,329 A	5/1993	Okumoto et al.	
D343,665 S	1/1994	Feche et al.	
D361,356 S	8/1995	Feche et al.	
D396,512 S	7/1998	Besnard et al.	
D398,681 S	9/1998	Galy	
D400,625 S	* 11/1998	Kubica et al.	..... D21/733
5,938,541 A	8/1999	Allen et al.	
D426,604 S	6/2000	Besnard et al.	
6,089,994 A	7/2000	Sun	
6,149,534 A	11/2000	Peters et al.	
D457,212 S	5/2002	Yamane et al.	
D482,092 S	* 11/2003	Imamoto	..... D21/759
D482,093 S	* 11/2003	Imamoto	..... D21/759
D499,158 S	* 11/2004	Imamoto	..... D21/752

**1 Claim, 5 Drawing Sheets**



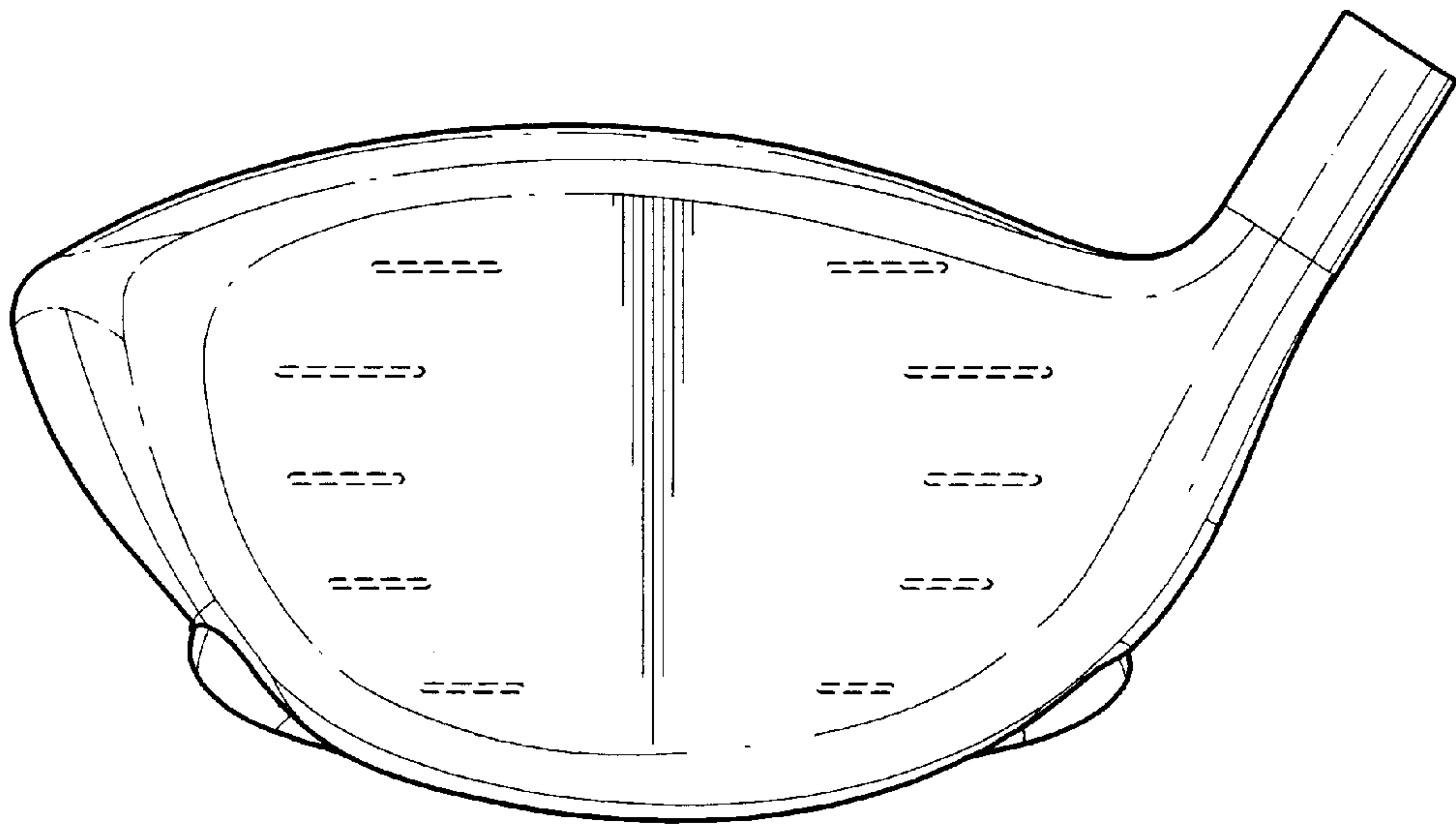


FIG. 1

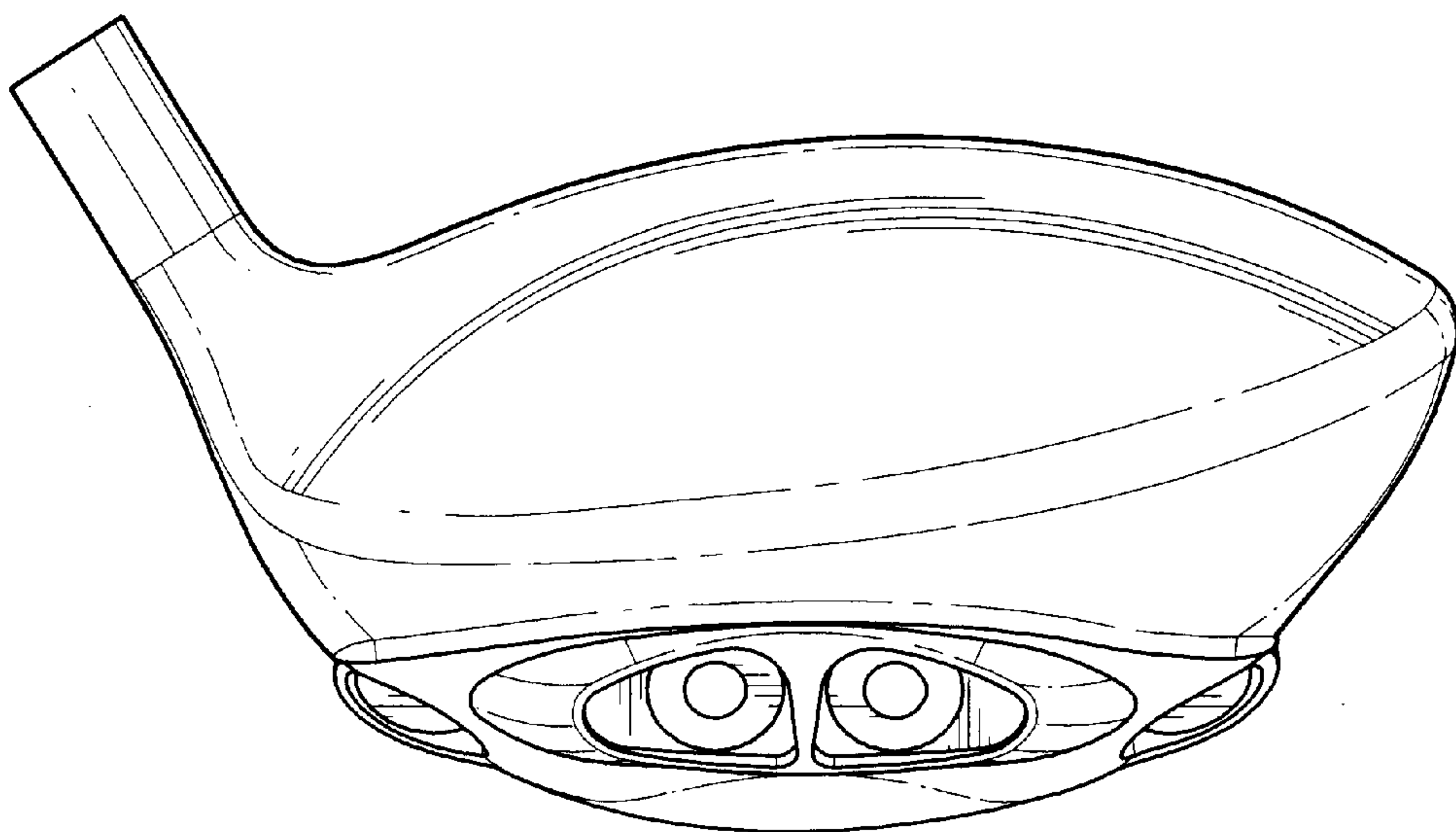


FIG. 2

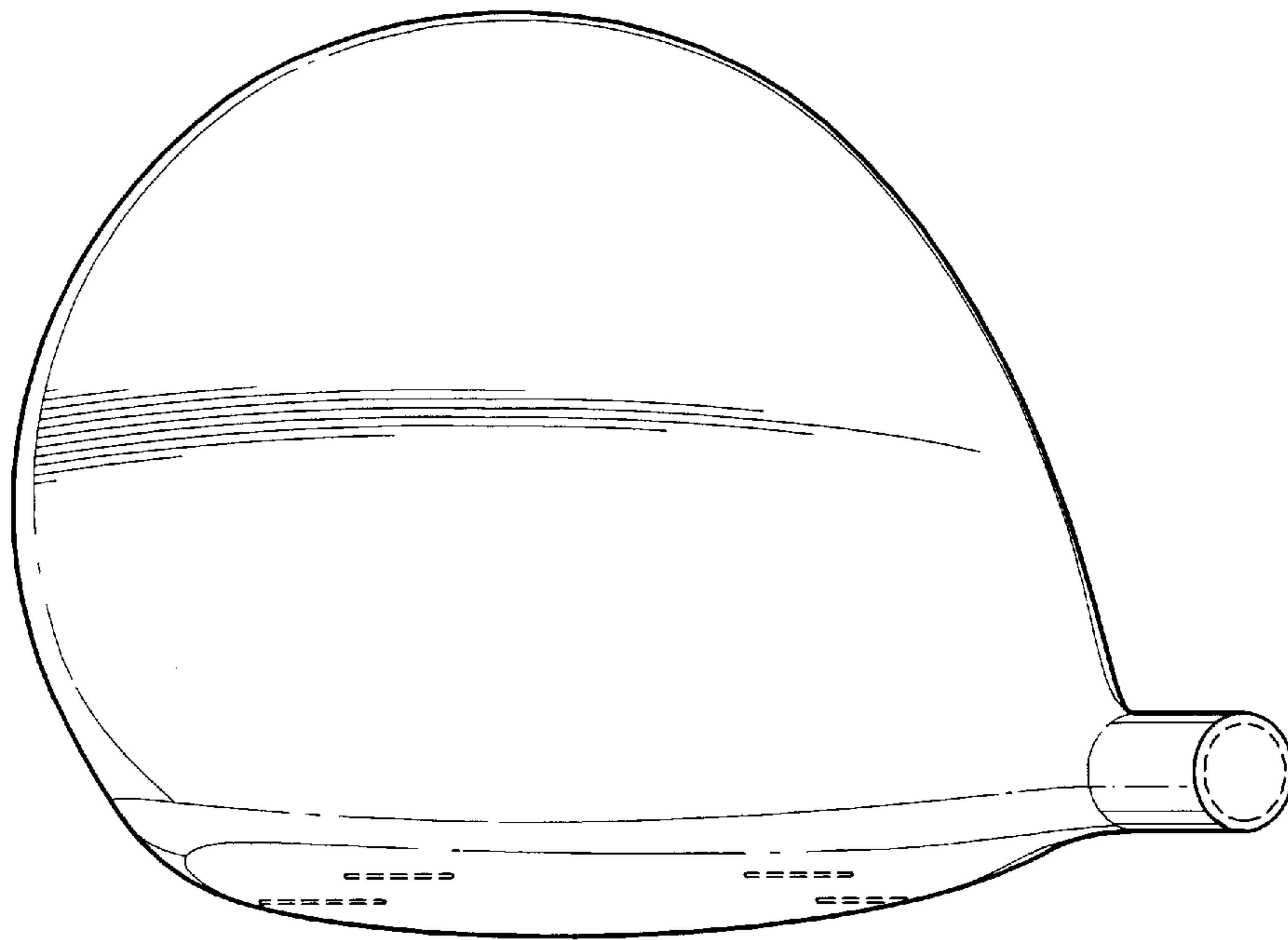


FIG. 3

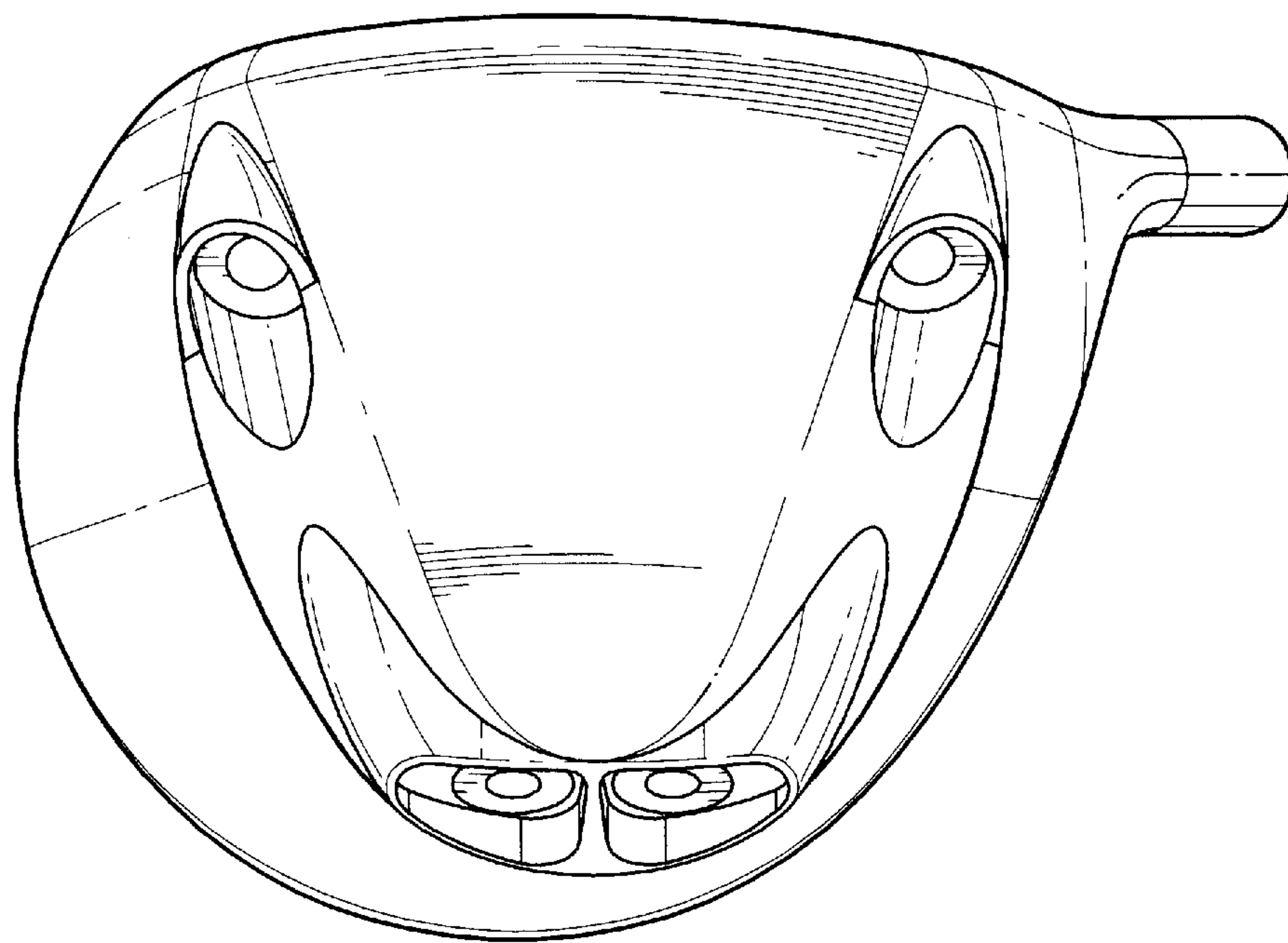


FIG. 4

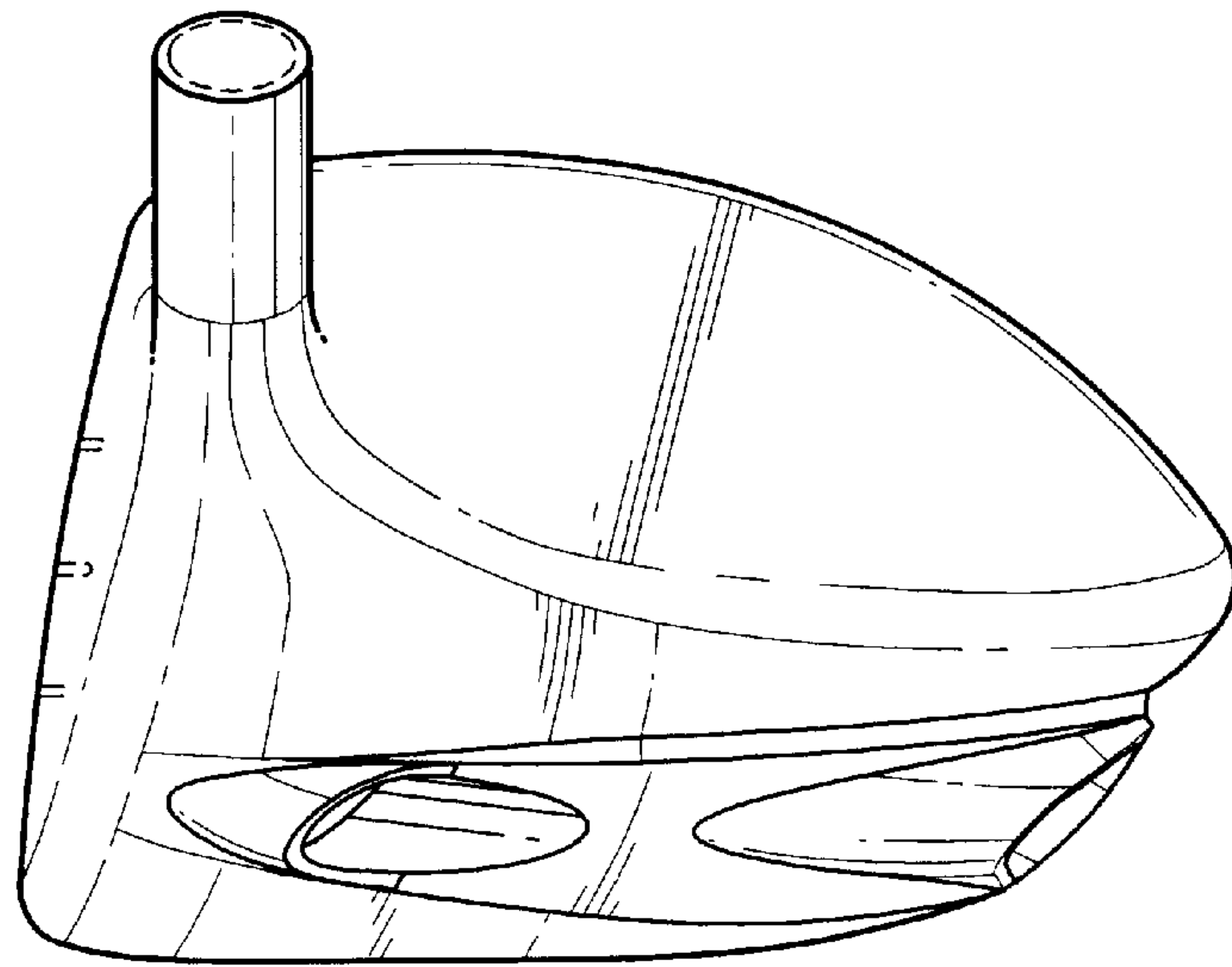


FIG. 5

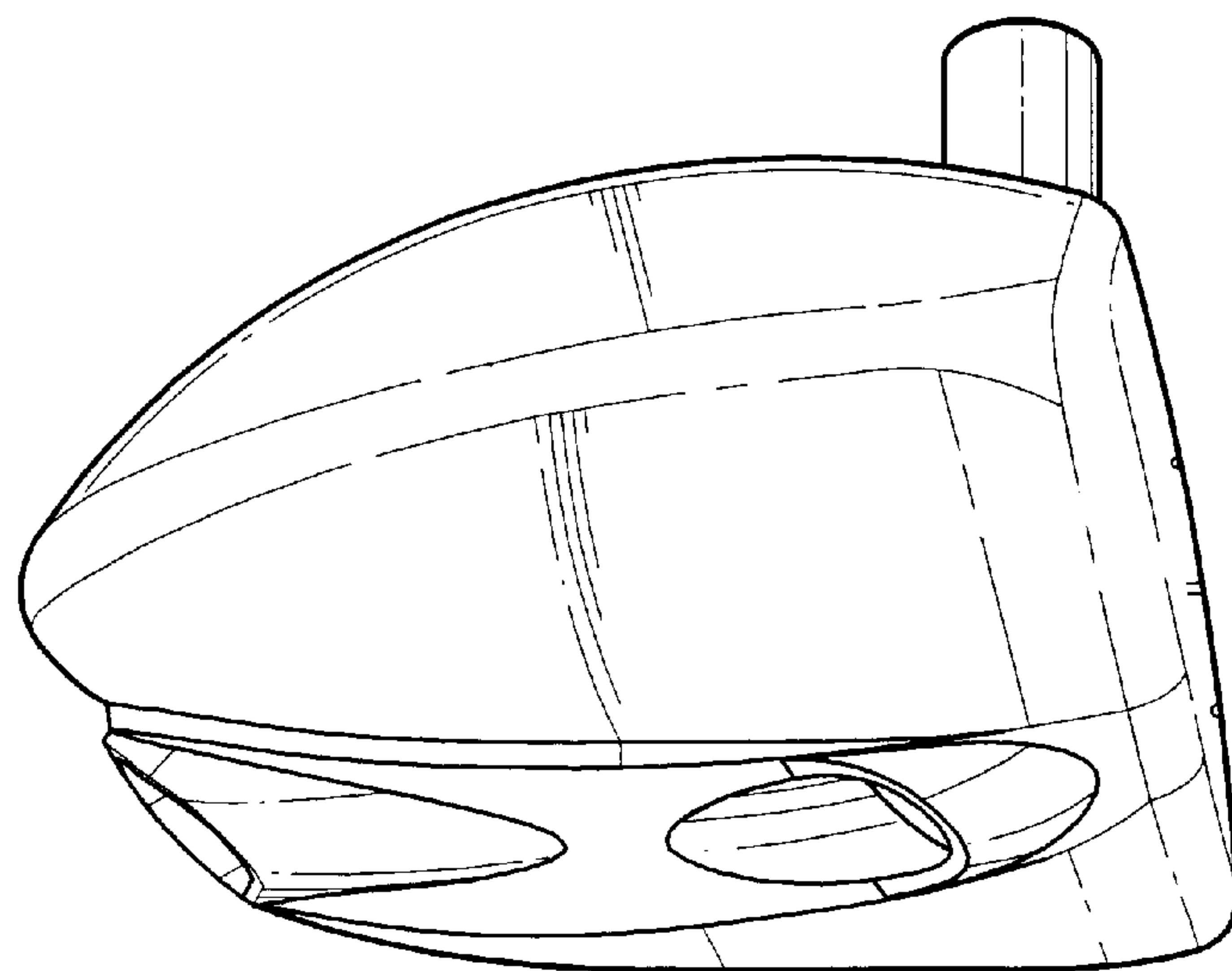


FIG. 6



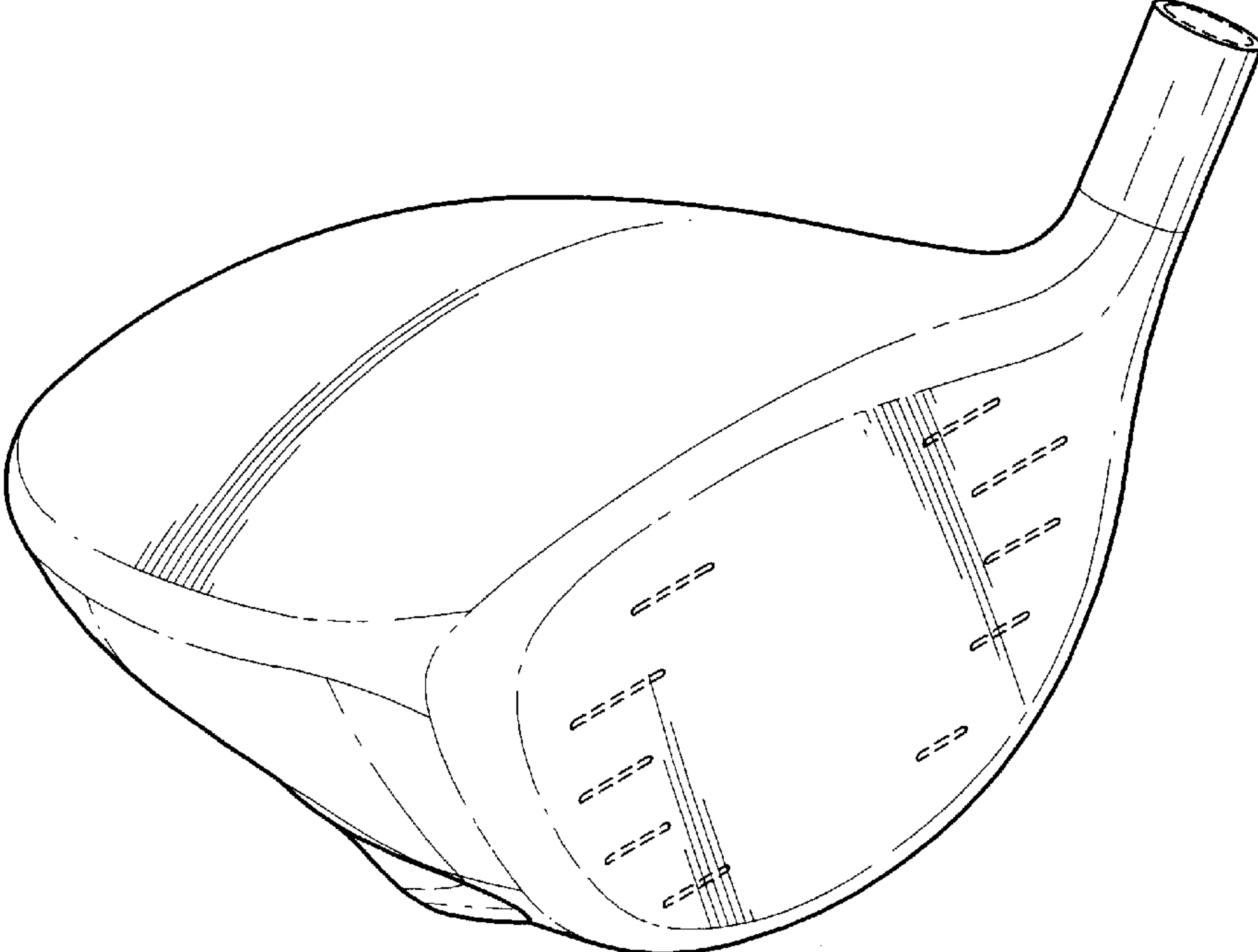


FIG. 7

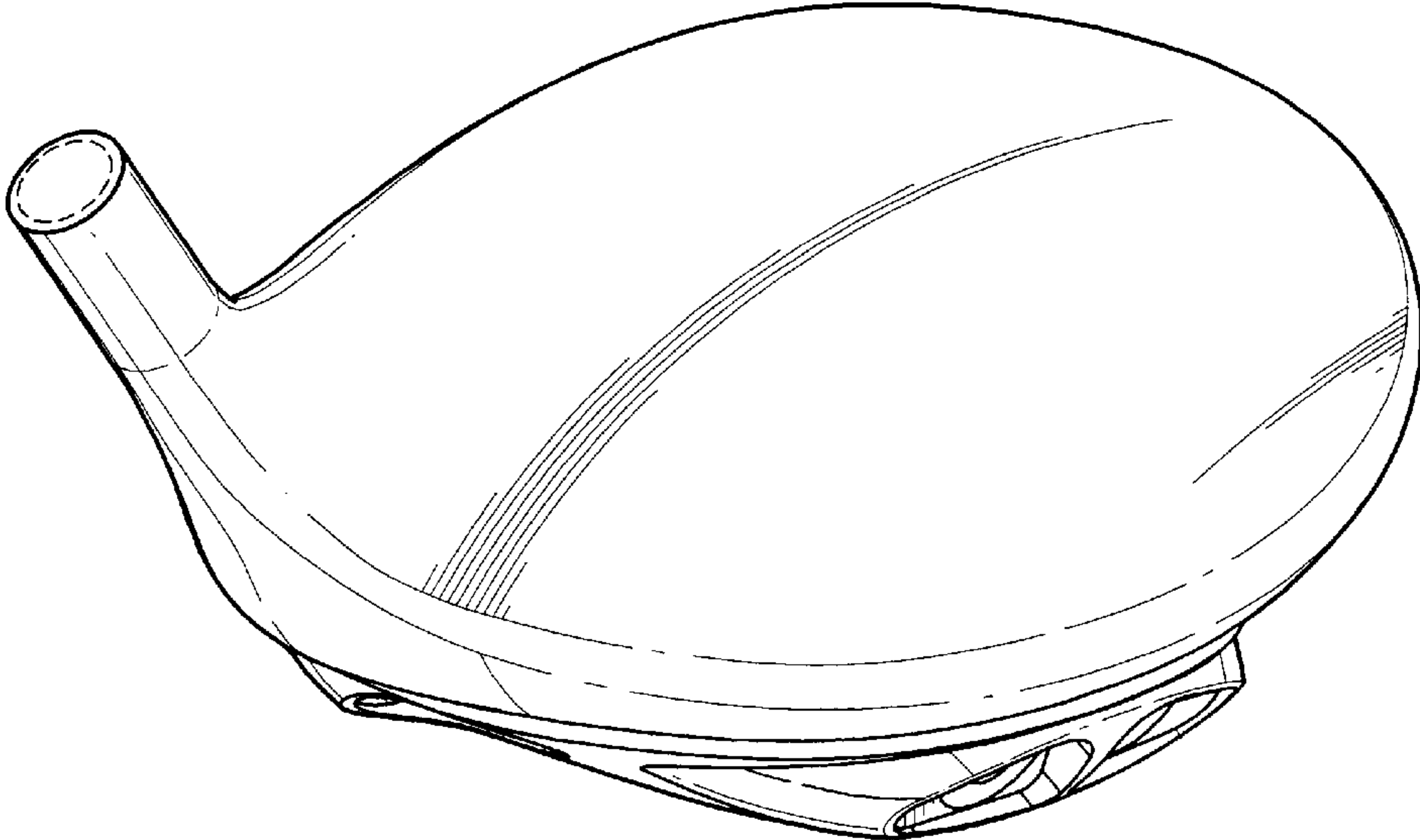


FIG. 8

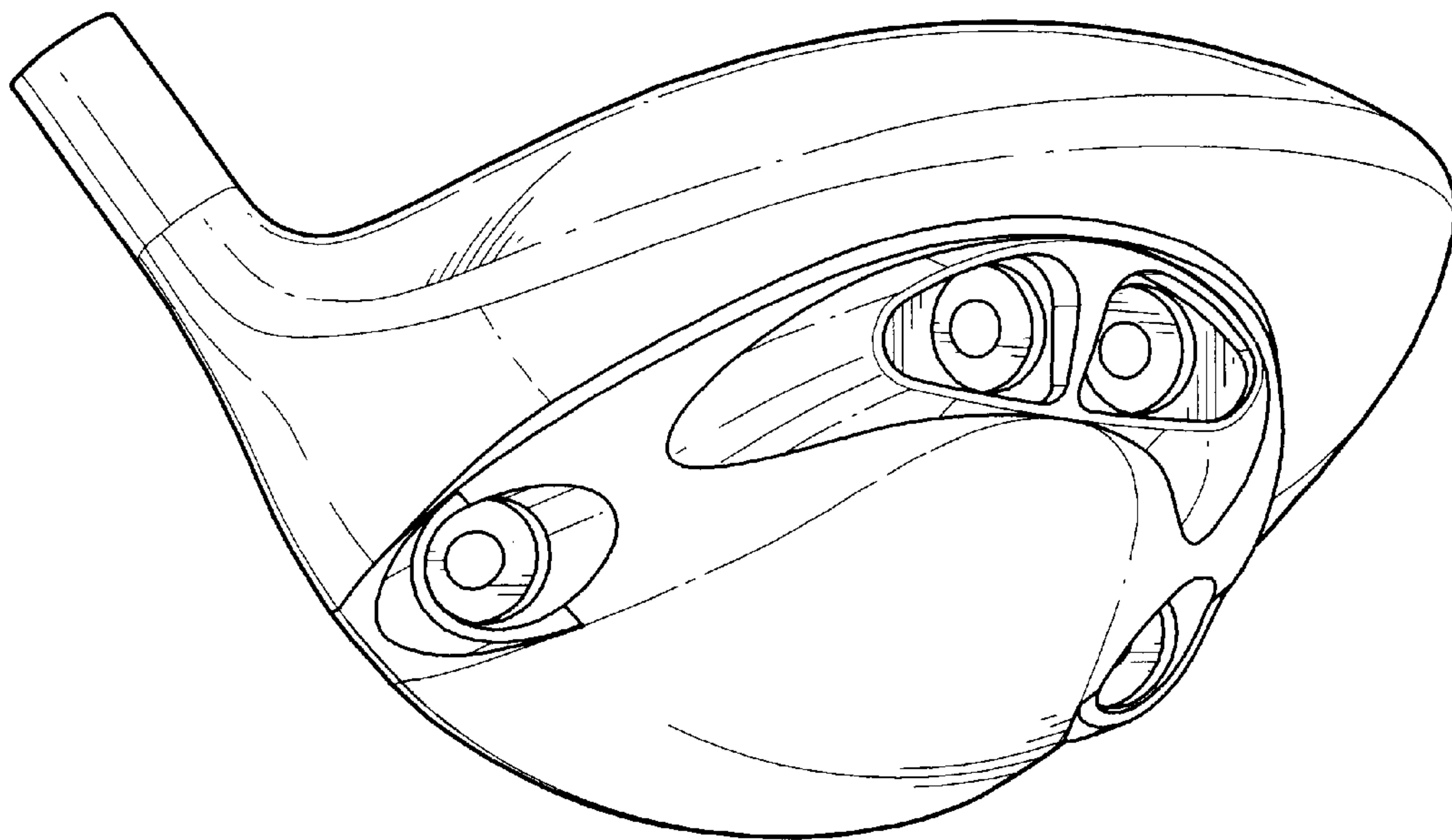


FIG. 9