



US00D513048S

(12) **United States Design Patent** (10) **Patent No.:** **US D513,048 S**
Garner et al. (45) **Date of Patent:** **** Dec. 20, 2005**

(54) **GOLF PUTTER CLUB HEAD**
 (75) Inventors: **Trent E. Garner**, Cypress, CA (US);
Christopher R. Cooper, Orange, CA
 (US); **Douglas E. Roberts**, La Palma,
 CA (US); **Kevin A. Wolfe**, Huntington
 Beach, CA (US)

(73) Assignee: **Roger Cleveland Golf Co., Inc.**,
 Cypress, CA (US)

(**) Term: **14 Years**

(21) Appl. No.: **29/198,926**

(22) Filed: **Feb. 9, 2004**

(51) **LOC (6) Cl.** **21-02**

(52) **U.S. Cl.** **D21/743**

(58) **Field of Search** D21/736-746;
 473/324-331, 251-256, 340-341

(56) **References Cited**

U.S. PATENT DOCUMENTS

D231,624 S	5/1974	Wilmoth	D34/5
D234,960 S	* 4/1975	Edward	D21/739
D234,962 S	4/1975	Swash		
4,141,556 A	2/1979	Paulin	273/164
5,080,365 A	1/1992	Winchell	273/169
5,685,784 A	11/1997	Butler	473/340
D389,539 S	* 1/1998	Moore	D21/739
D395,692 S	6/1998	Butler	D21/219
D437,017 S	* 1/2001	Ford	D21/744
D458,656 S	6/2002	Tang et al.	D21/738
D460,990 S	* 7/2002	Jung	D21/736
D461,515 S	8/2002	Tang et al.	D21/742
6,471,600 B2	10/2002	Tang et al.	473/242
D467,985 S	12/2002	Tang et al.	D21/742

D470,904 S	2/2003	Tang et al.	D21/742
D471,245 S	3/2003	Tang et al.	D21/742
D471,940 S	3/2003	Tang et al.	D21/742
D479,291 S	9/2003	Murray	D21/742
6,679,782 B2	1/2004	Tang et al.	473/242
D496,417 S	* 9/2004	Tang	D21/738
D496,418 S	* 9/2004	Tang et al.	D21/738

OTHER PUBLICATIONS

COBRA, Bobby Grace, "The Amazing Grace" Putter, 1997-98.

* cited by examiner

Primary Examiner—Mitchell Siegel

(74) *Attorney, Agent, or Firm*—Parkhurst & Wendel, L.L.P.

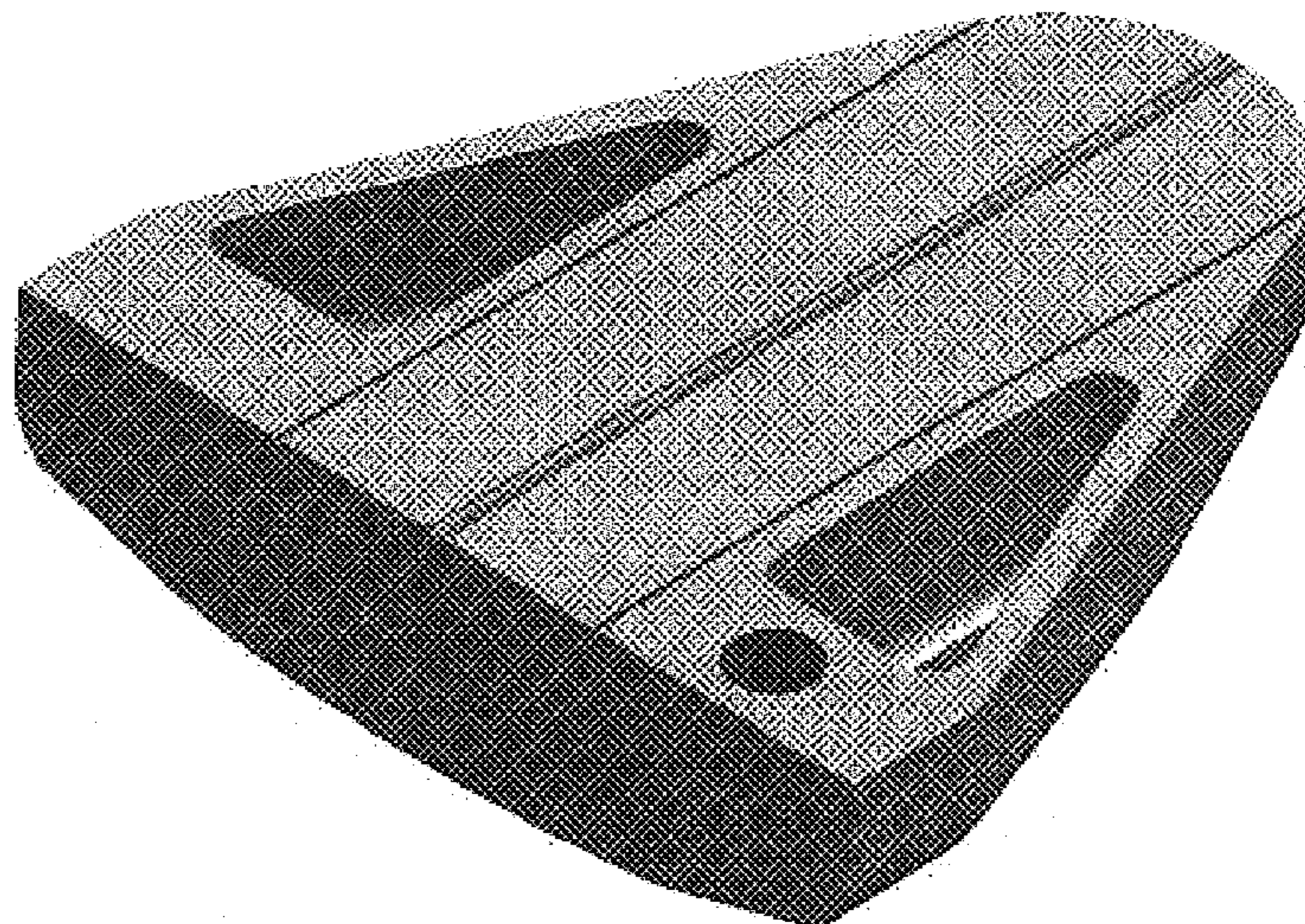
(57) **CLAIM**

The ornamental design for a golf putter club head, as shown and described.

DESCRIPTION

FIG. 1 is a perspective view from above the left face corner of a putter club head embodying the inventive design; FIG. 2 is a perspective view from the above the left rear portion of the putter club head of FIG. 1; FIG. 3 is a top view of the putter club head of FIG. 1; FIG. 4 is a bottom view of the putter club head of FIG. 1; FIG. 5 is a left side view of the putter club head of FIG. 1; FIG. 6 is a right side view of the putter club head of FIG. 1; FIG. 7 is a face or front view of the putter club head of FIG. 1; FIG. 8 is a rear or back view of the putter club head of FIG. 1; and, FIG. 9 is a perspective view from below the left rear portion of the putter club head of FIG. 1.

1 Claim, 9 Drawing Sheets



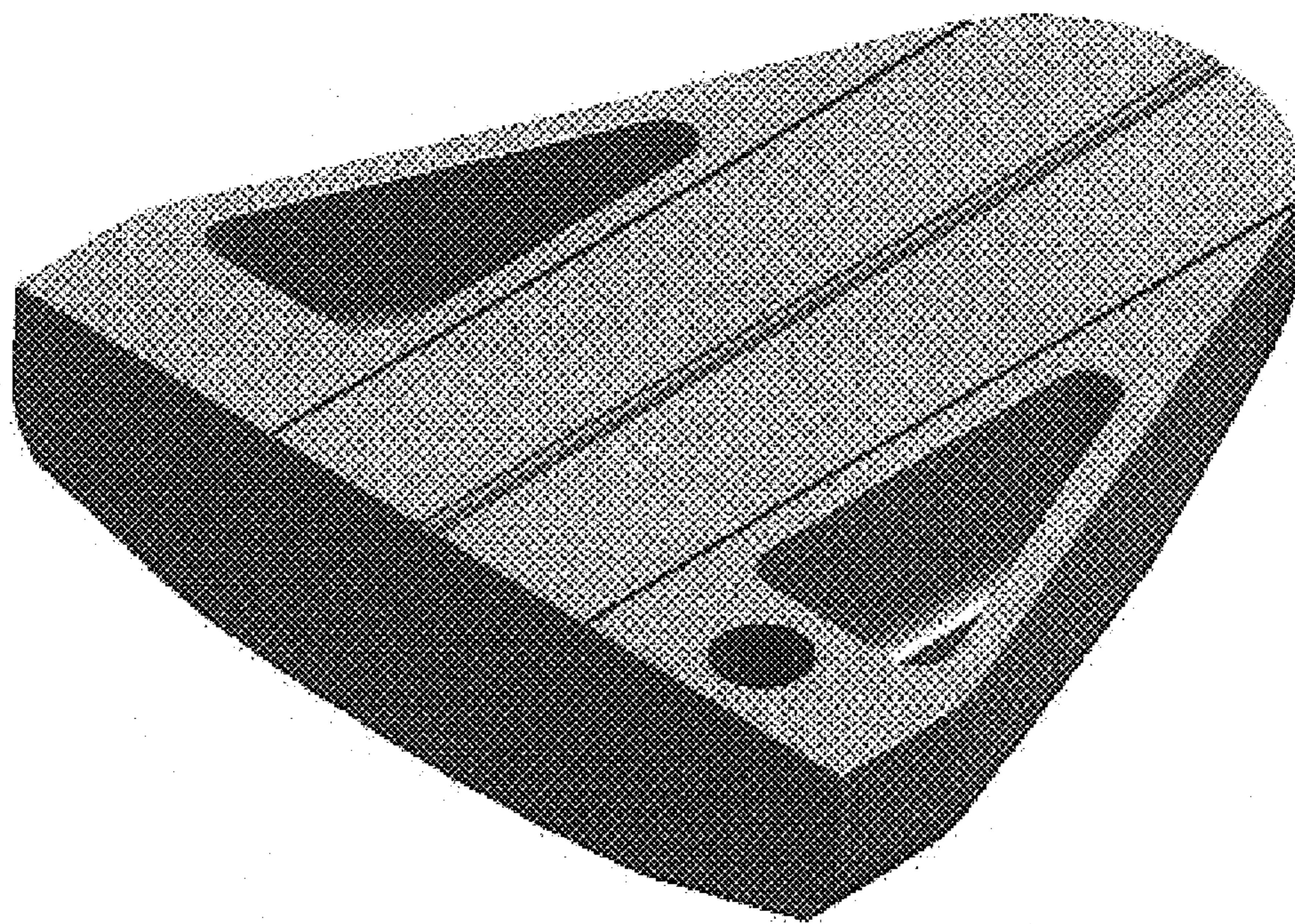


Fig. 1

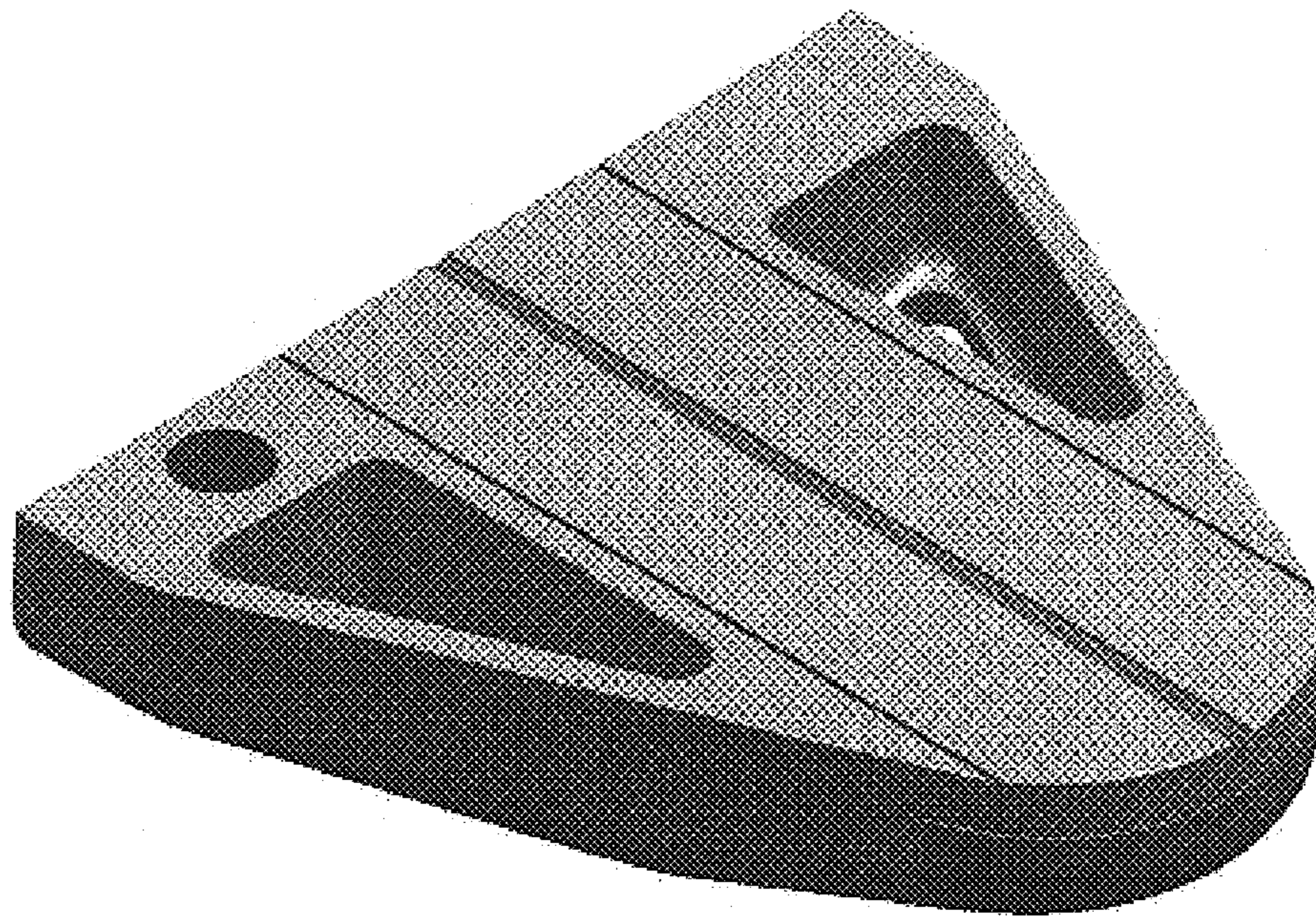


Fig. 2

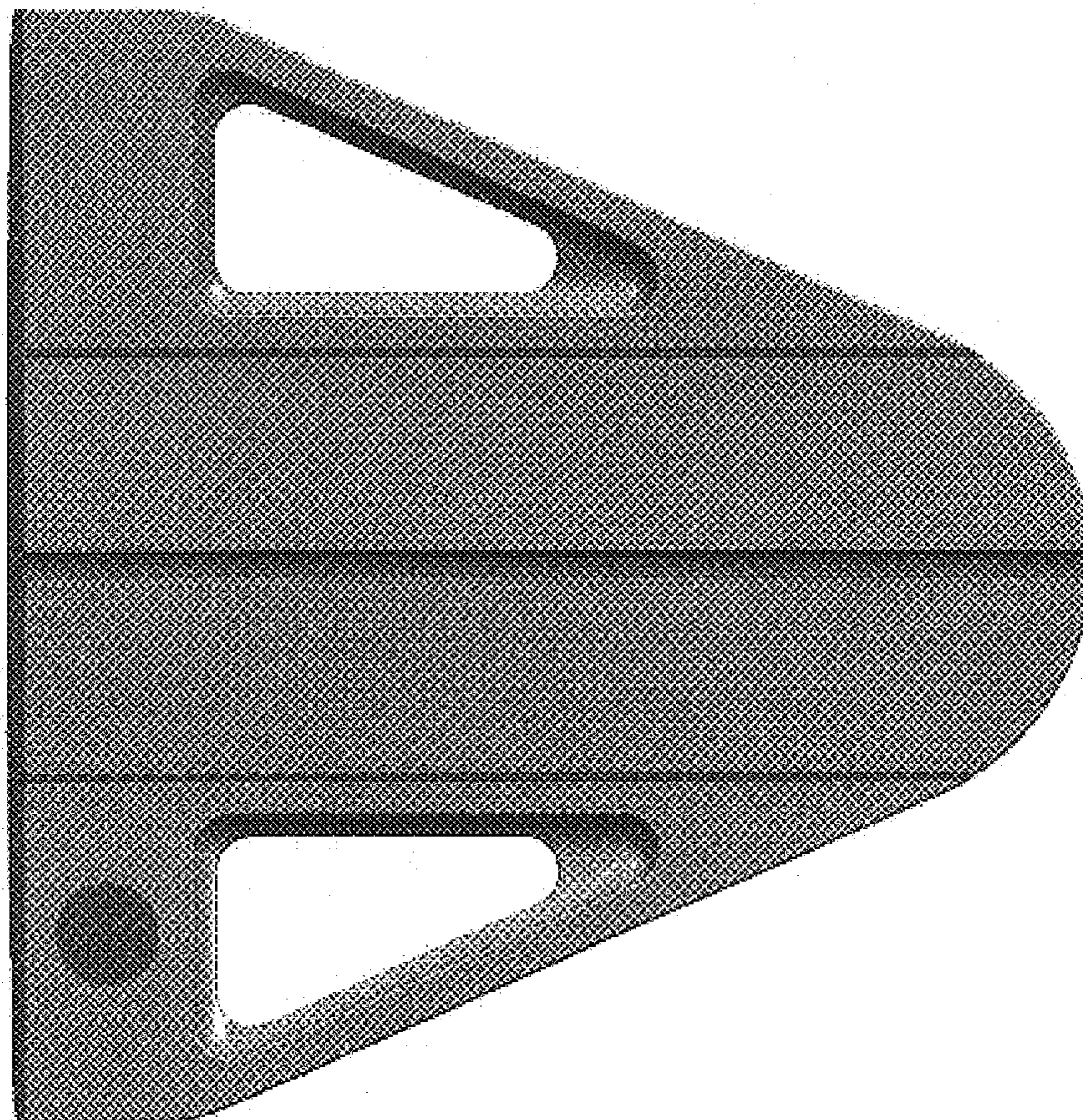


Fig. 3

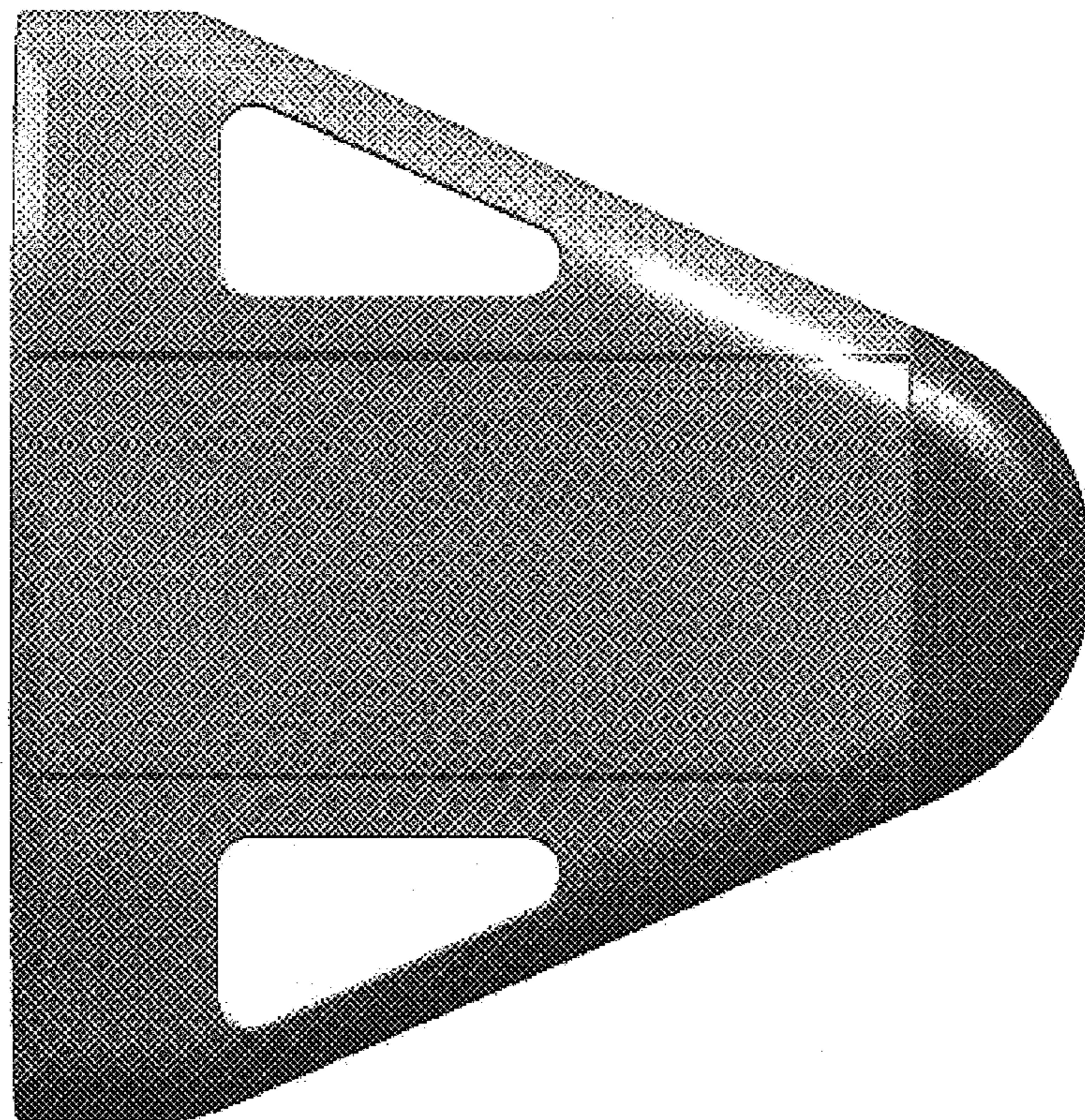


Fig. 4

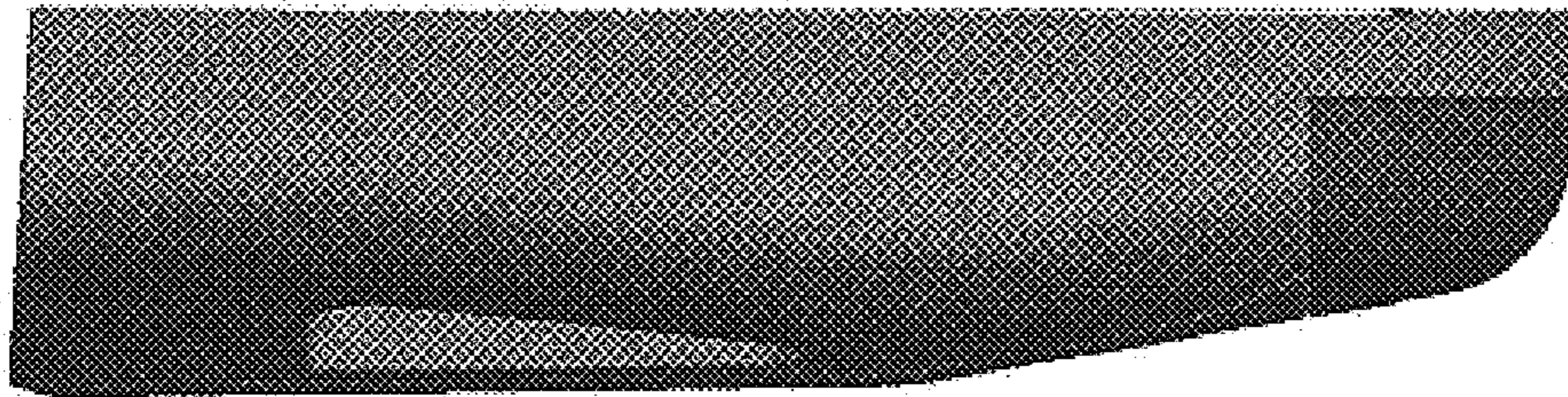


Fig. 5

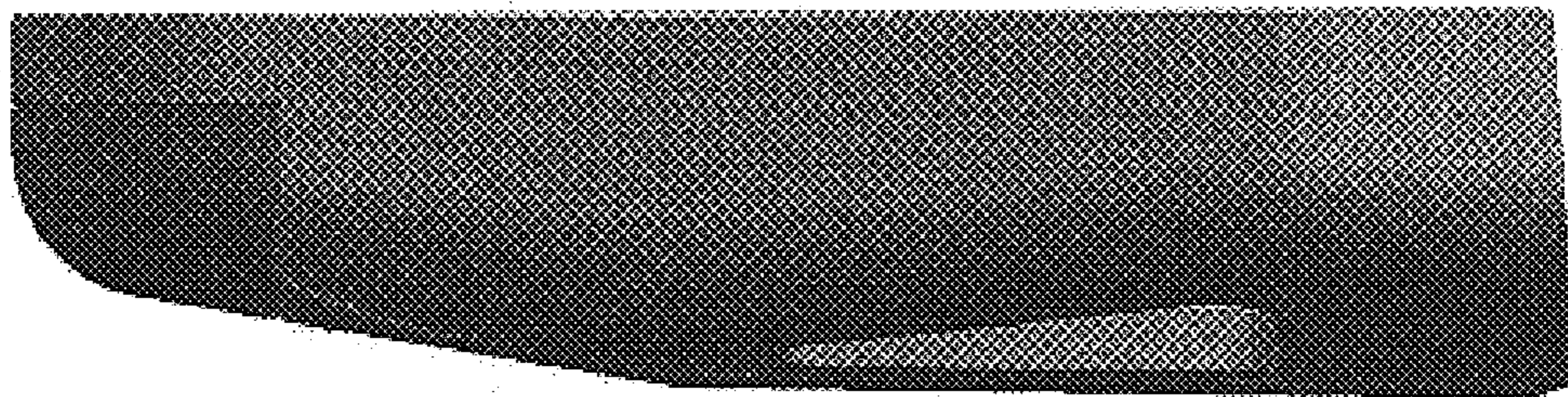


Fig. 6

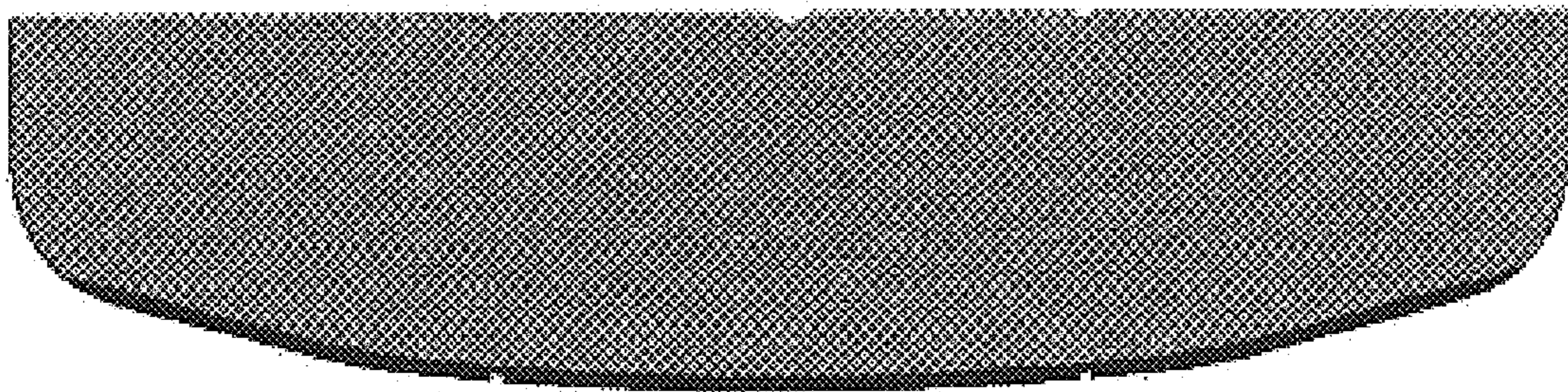


Fig. 7

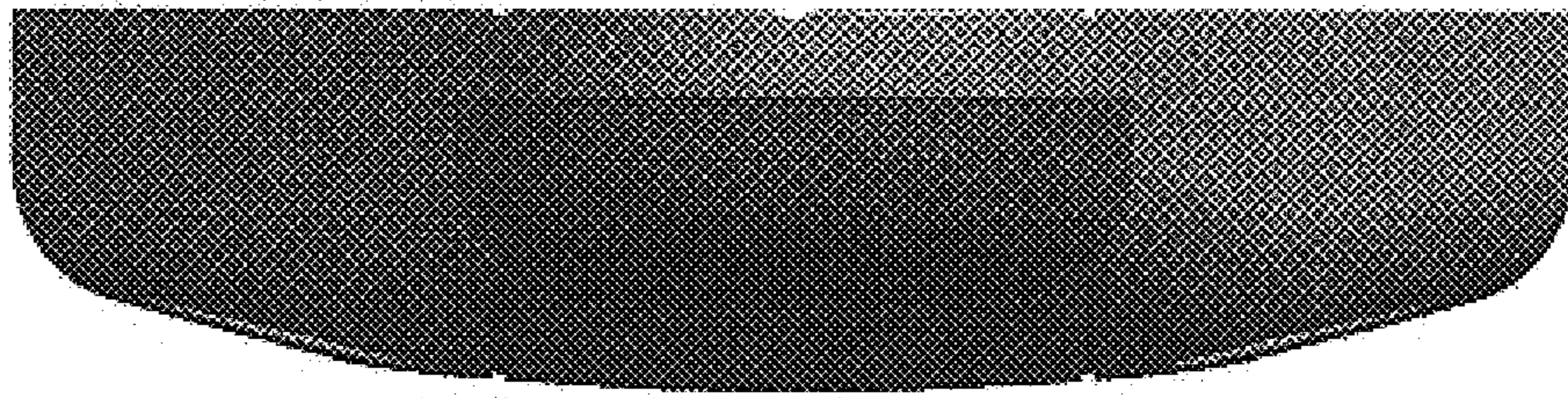


Fig. 8

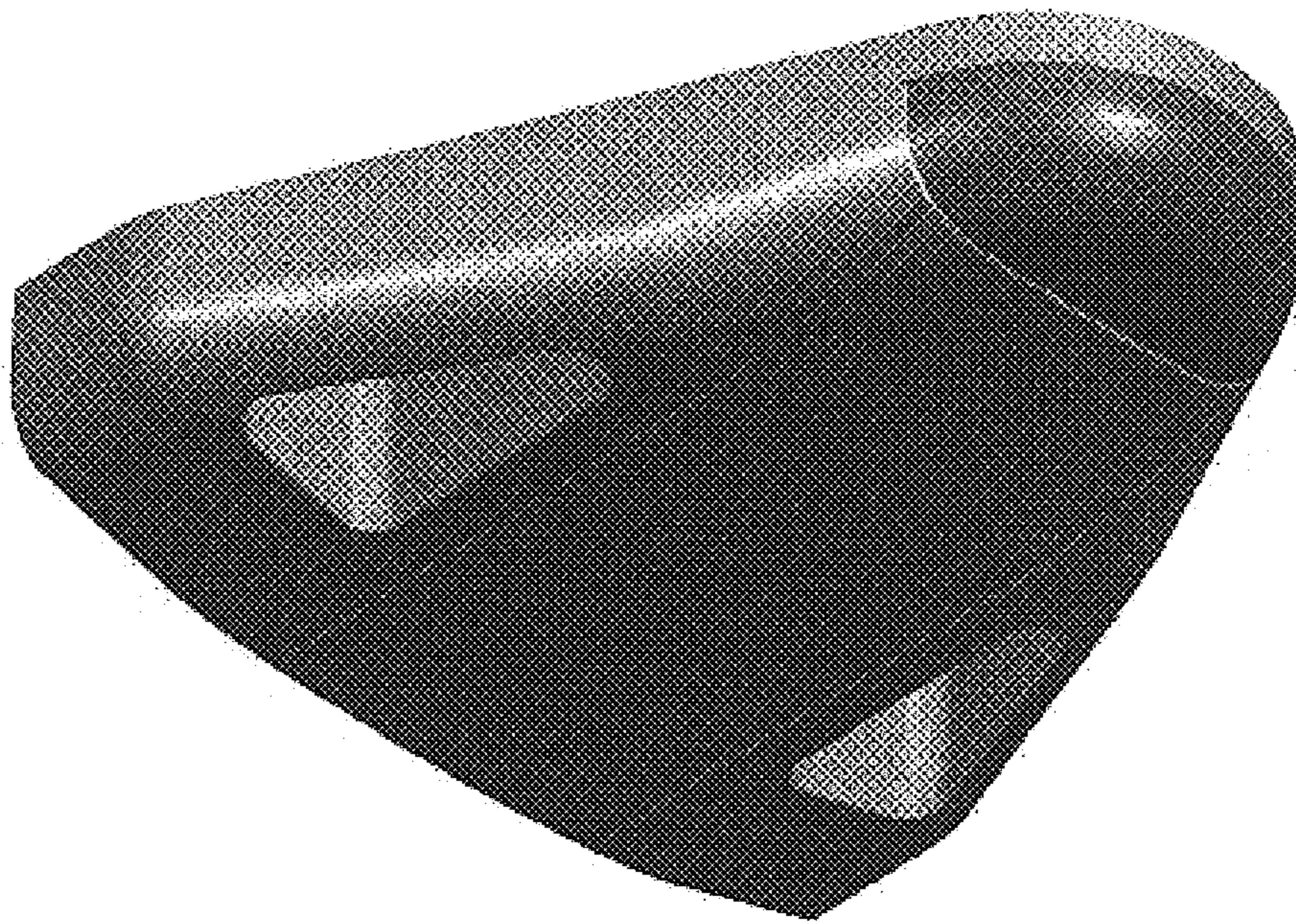


Fig. 9