



US00D513047S

(12) **United States Design Patent** (10) **Patent No.:** **US D513,047 S**  
**Glickman** (45) **Date of Patent:** **\*\* Dec. 20, 2005**

(54) **PUTTER HEAD**  
(75) **Inventor:** **Joel I. Glickman, Jupiter, FL (US)**  
(73) **Assignee:** **Connector Set Limited Partnership, Hatfield, PA (US)**  
(\*\*) **Term:** **14 Years**  
(21) **Appl. No.:** **29/210,231**  
(22) **Filed:** **Jul. 28, 2004**  
(51) **LOC (6) Cl. .... 21-02**  
(52) **U.S. Cl. .... D21/742**  
(58) **Field of Search .... D21/736-746;**  
**473/324-331, 251-256, 340, 341**

5,685,784 A 11/1997 Butler  
D395,692 S \* 6/1998 Butler ..... D21/742  
5,890,969 A 4/1999 Bechler  
5,913,731 A 6/1999 Westerman  
D413,951 S \* 9/1999 Storer et al. .... D21/744  
6,203,443 B1 3/2001 Britton  
6,244,974 B1 6/2001 Hanberry, Jr.  
D448,437 S 9/2001 Colucci  
D460,990 S 7/2002 Jung  
6,716,110 B1 4/2004 Ballow

\* cited by examiner

*Primary Examiner*—Mitchell Siegel  
(74) *Attorney, Agent, or Firm*—Schweitzer Cornman Gross & Bondell LLP

(57) **CLAIM**

The ornamental design for a putter head, as shown and described.

(56) **References Cited**

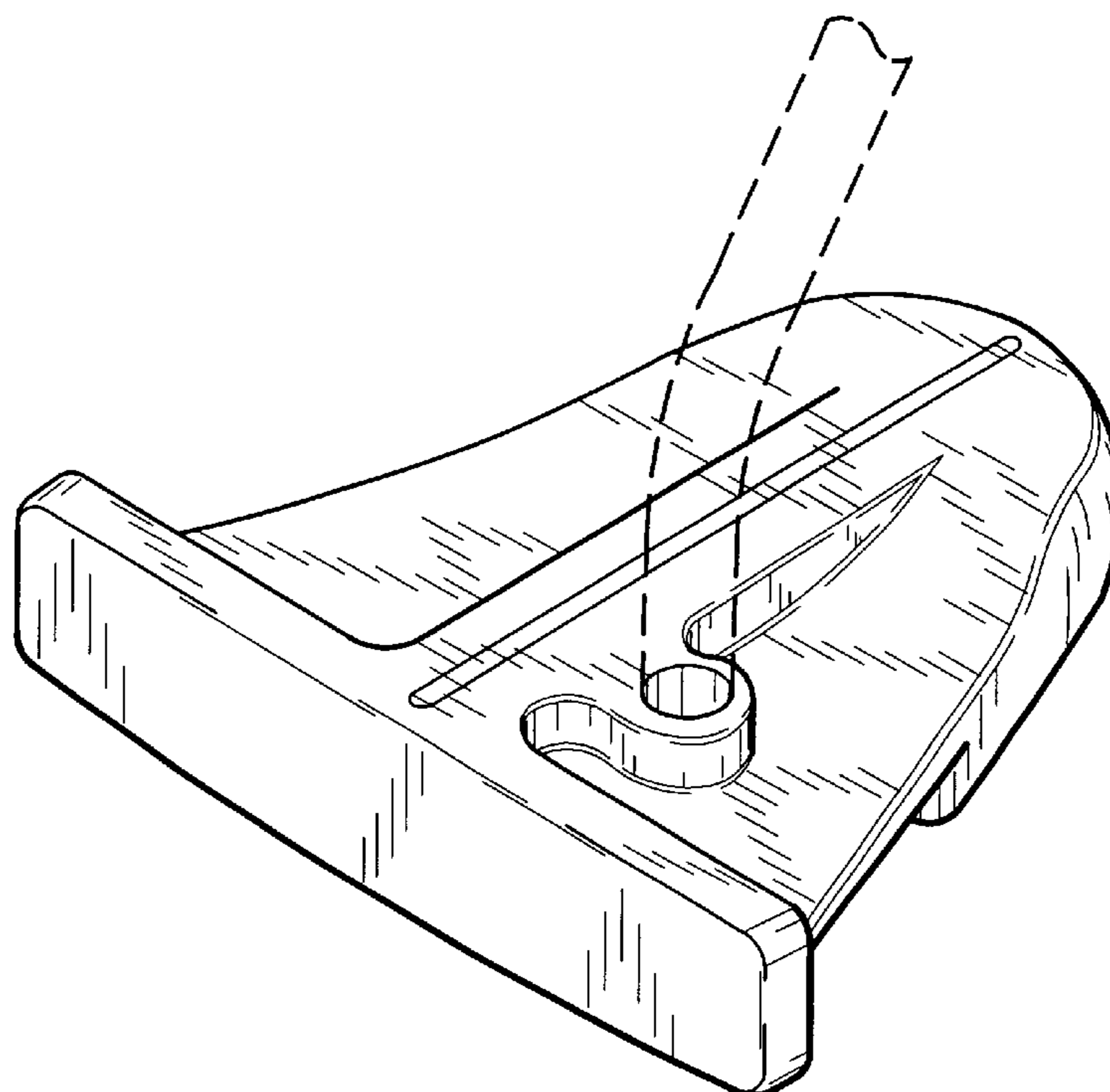
**U.S. PATENT DOCUMENTS**

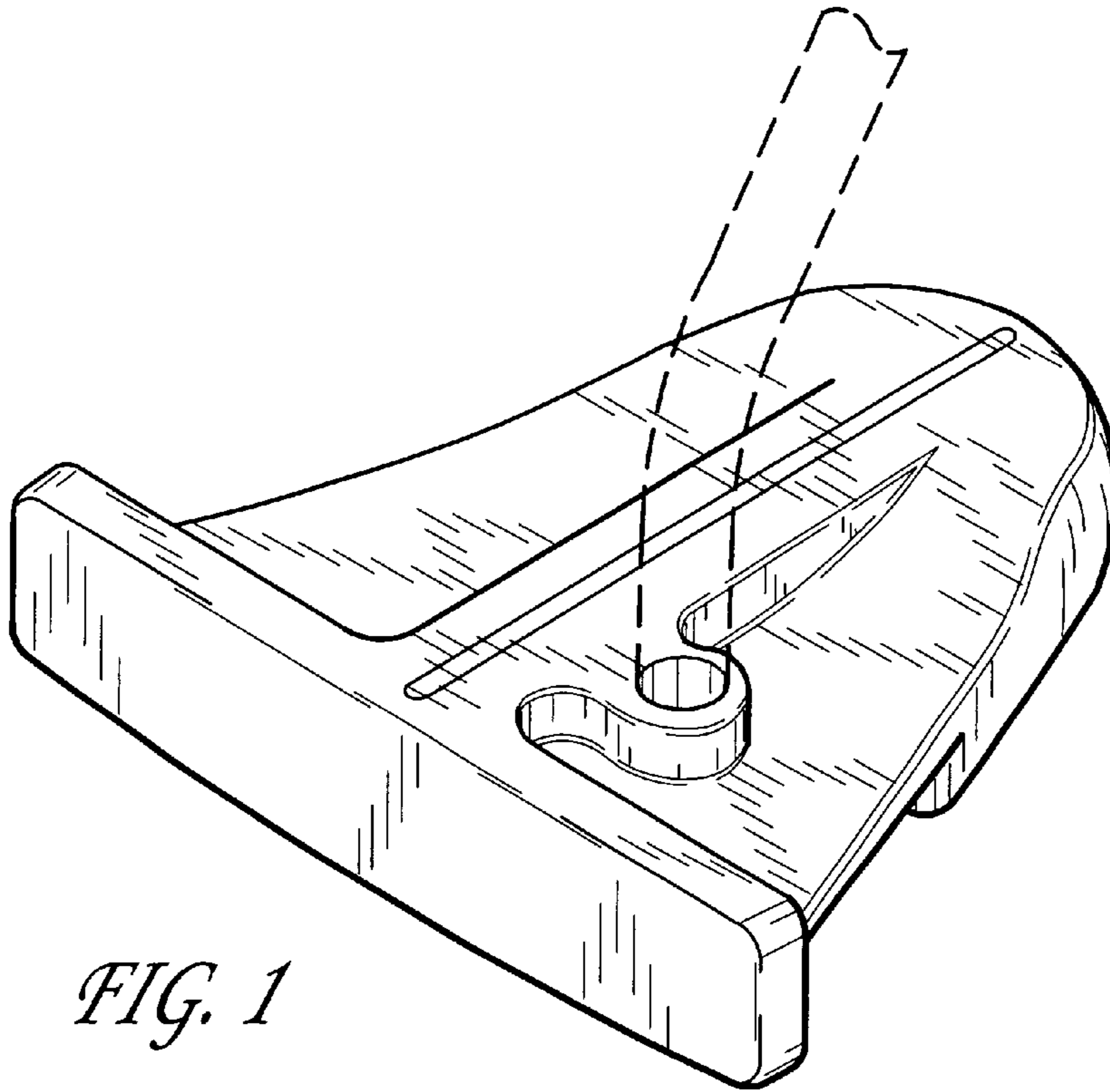
2,954,231 A 9/1960 MacIntyre  
D213,507 S 3/1969 Koenig  
3,459,426 A \* 8/1969 Sherwood ..... 473/201  
D229,204 S 11/1973 Romero  
D234,961 S 4/1975 Swash  
D234,962 S 4/1975 Swash  
3,888,484 A 6/1975 Zitko  
D251,310 S \* 3/1979 Paulin ..... D21/745  
D252,771 S 8/1979 Henrick  
D264,487 S 5/1982 Barr et al.  
D320,251 S 9/1991 Mermillod  
D323,688 S 2/1992 Whitney  
D324,250 S 2/1992 Magness  
D340,962 S 11/1993 Phillips  
D364,907 S 12/1995 Estridge et al.  
D377,675 S \* 1/1997 Abel ..... D21/745  
D382,613 S 8/1997 Devendorf

**DESCRIPTION**

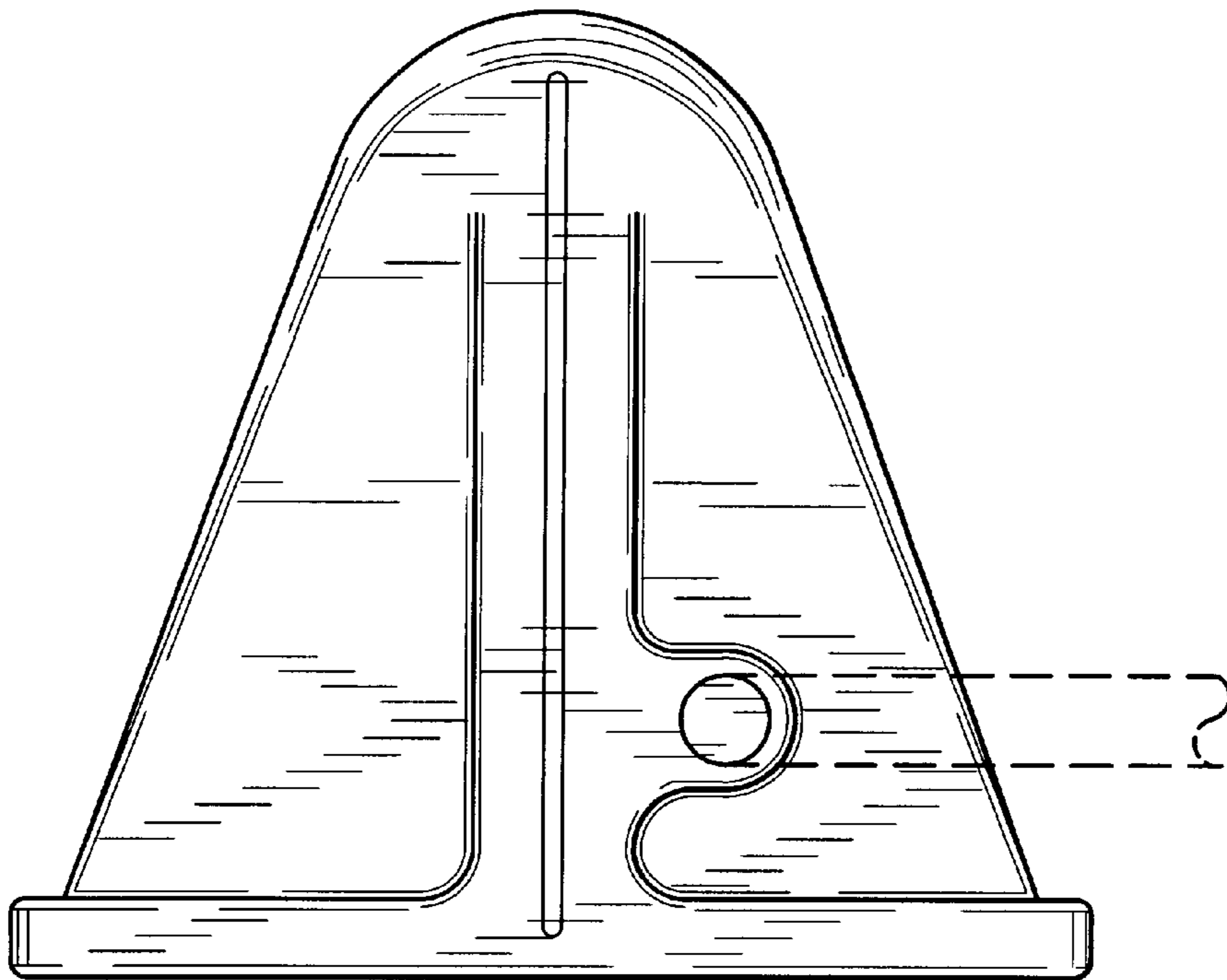
FIG. 1 is a perspective view, from above and in front, of the putter head of the invention.  
FIG. 2. is a top plan view thereof.  
FIG. 3 is a bottom plan view thereof.  
FIG. 4 is a side elevational view thereof from the side opposite that on which a shaft is mounted.  
FIG. 5 is a side elevational view thereof from the side on which a shaft is mounted.  
FIG. 6 is a back elevational view thereof; and,  
FIG. 7 is a front elevational view thereof.  
The broken line showing of the fragmented shaft is for illustrative purposes only and forms no part of the claimed design.

**1 Claim, 3 Drawing Sheets**

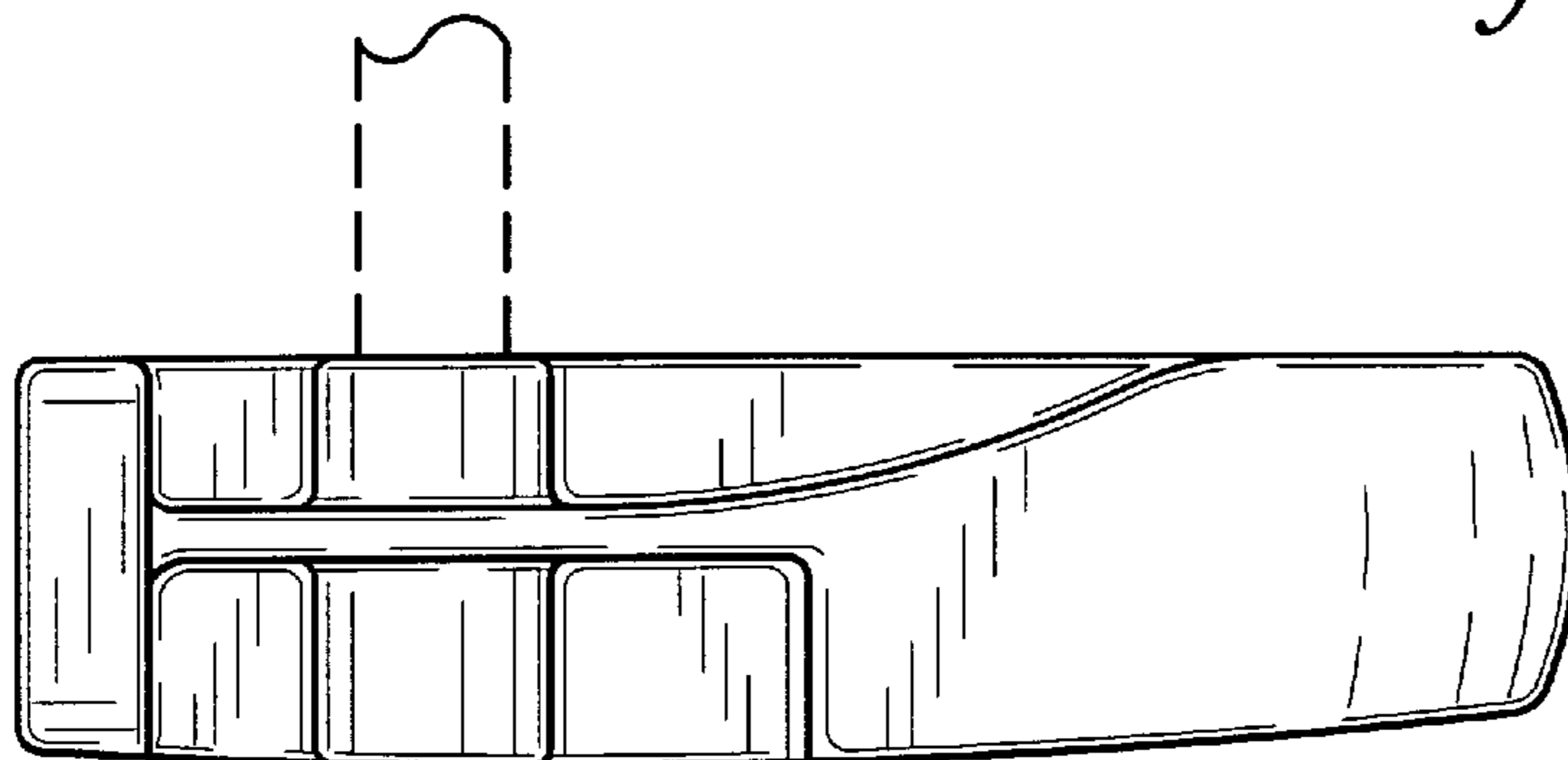
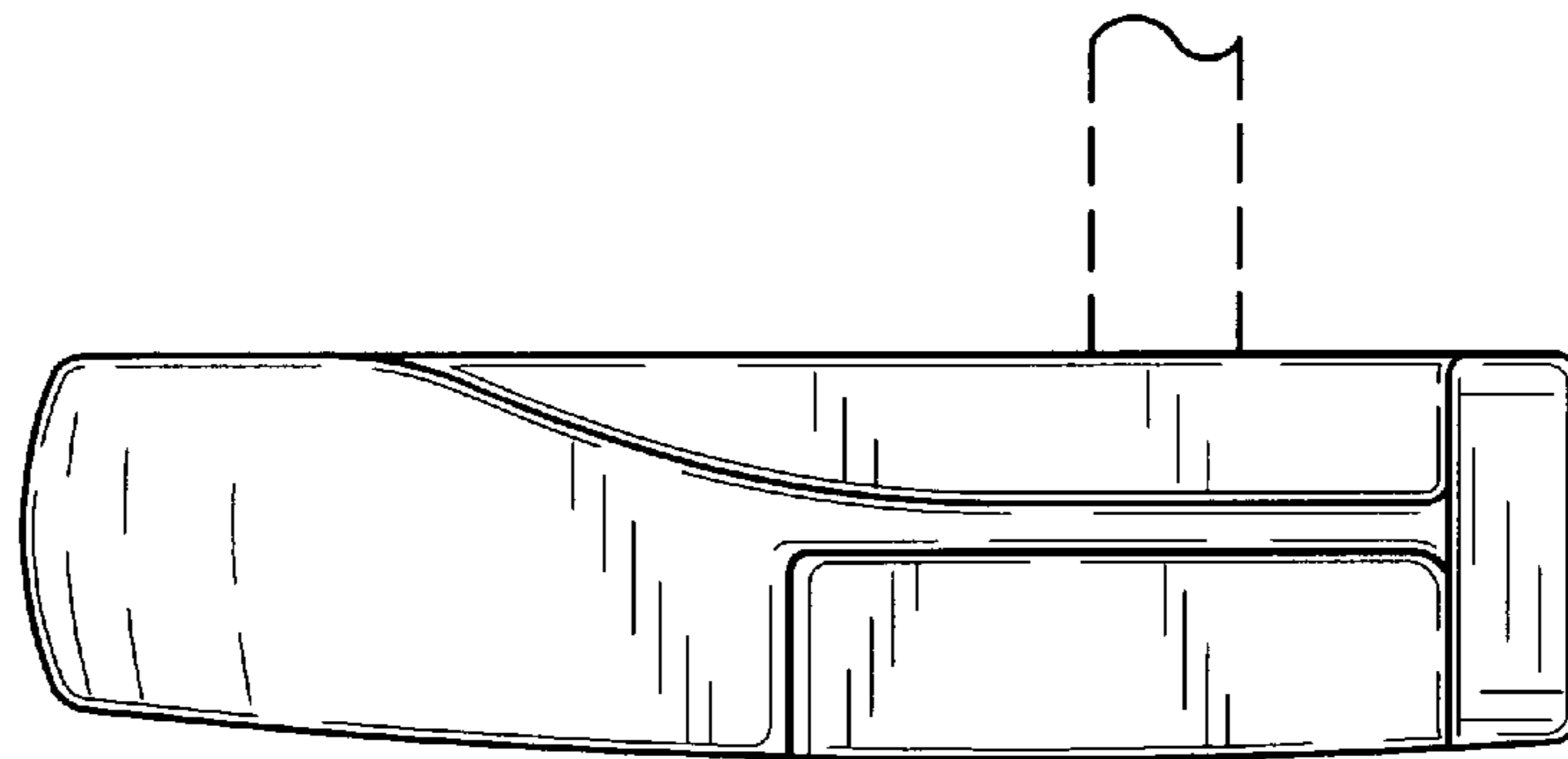
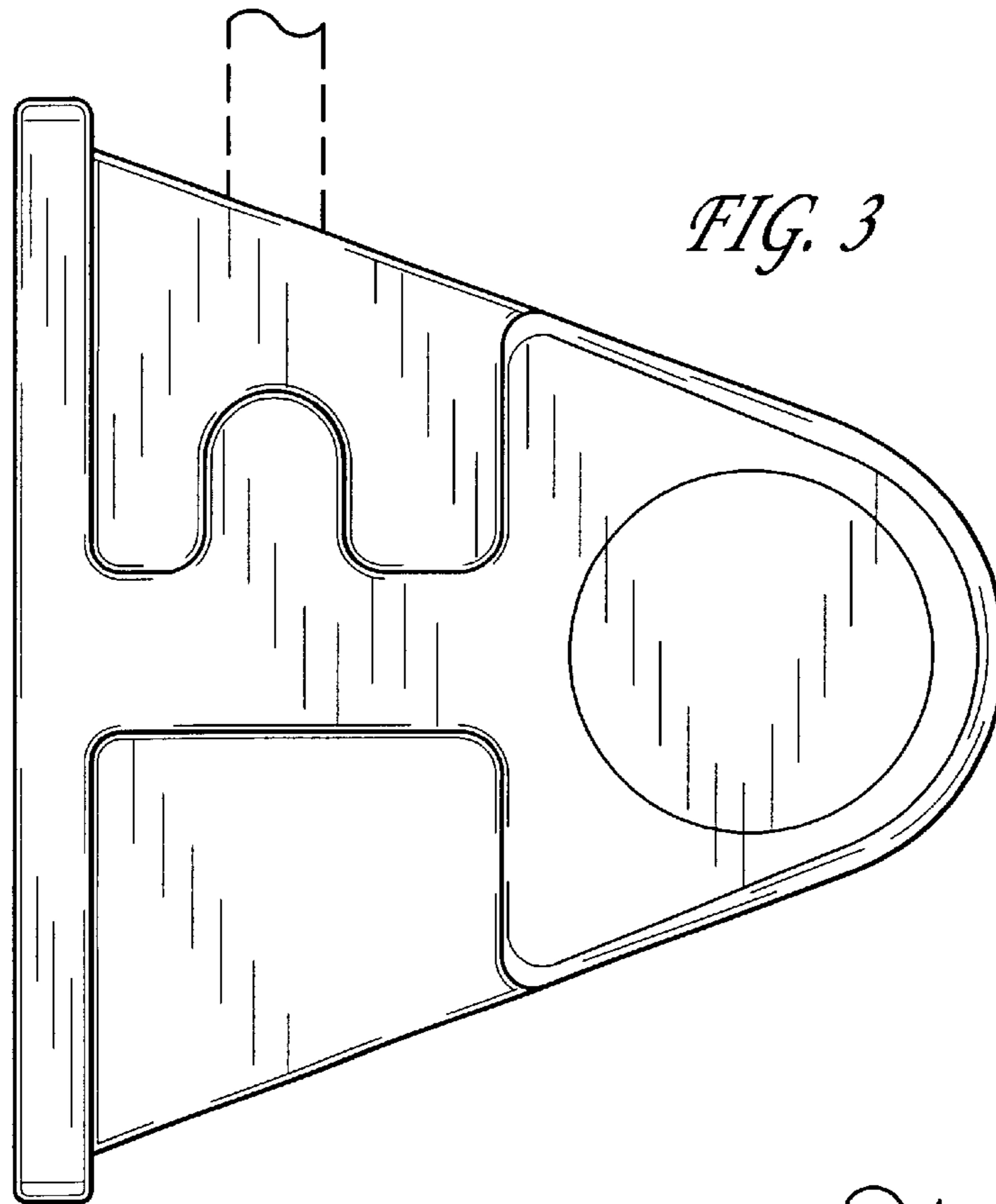


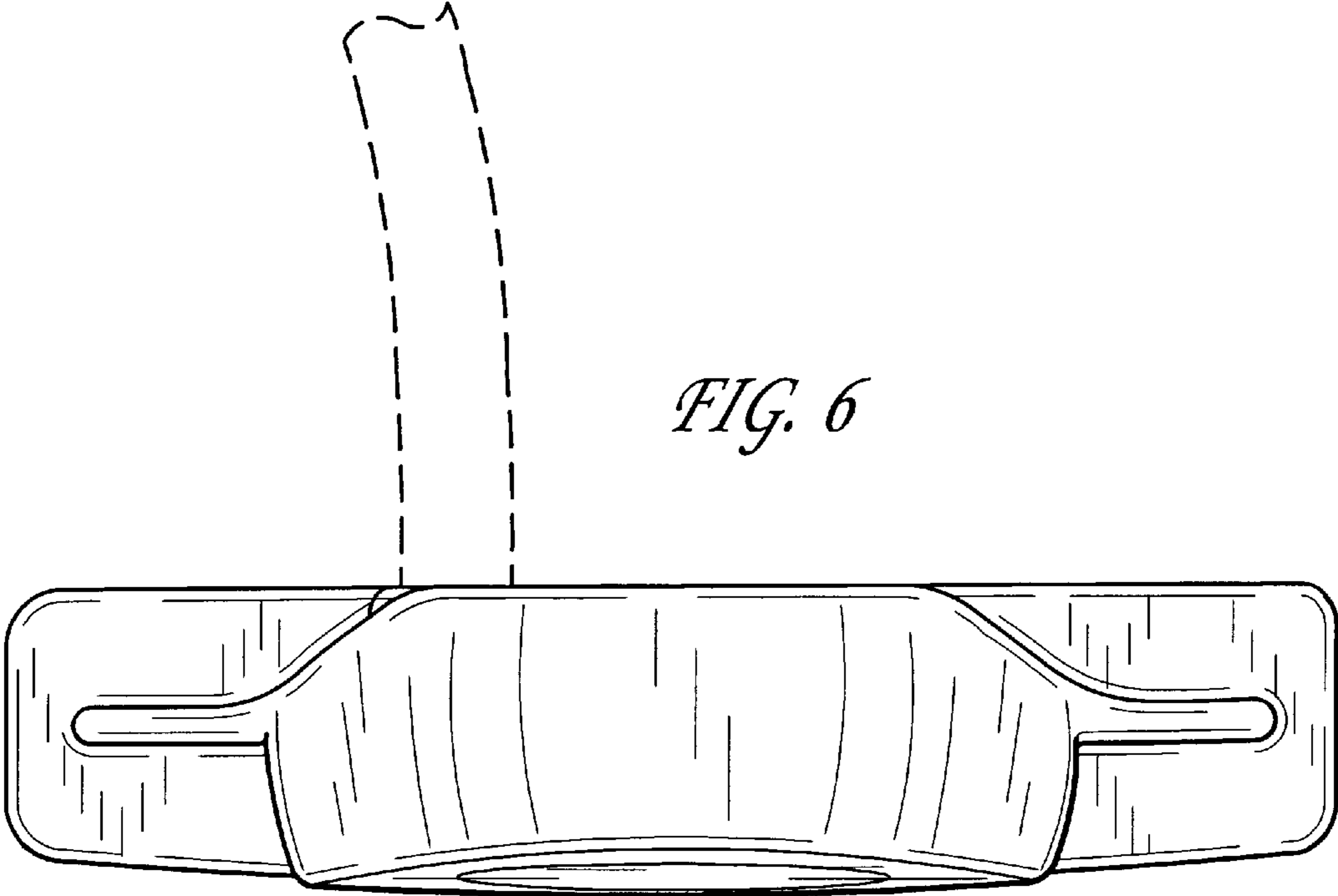


*FIG. 1*

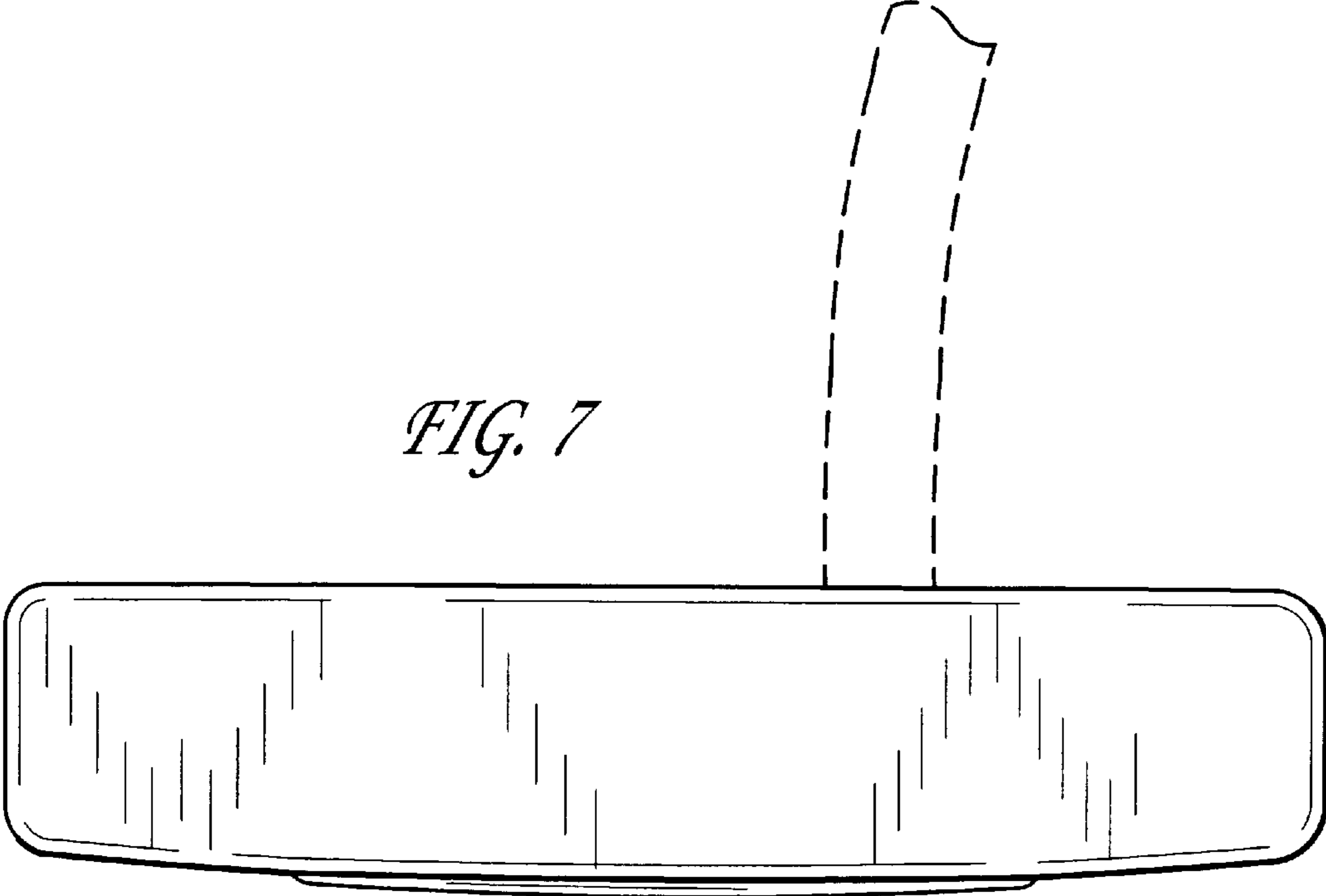


*FIG. 2*





*FIG. 6*



*FIG. 7*