

US00D513045S

(12) **United States Design Patent**
Yuen

(10) **Patent No.:** **US D513,045 S**
(45) **Date of Patent:** **** Dec. 20, 2005**

(54) **RADIO CONTROLLER FOR TOY CAR**

(75) **Inventor:** **Shun Ming Yuen**, Tsimshatsui East (HK)

(73) **Assignee:** **Golden Bright Manufacturer Ltd.**, Kowloon (HK)

(**) **Term:** **14 Years**

(21) **Appl. No.:** **29/192,652**

(22) **Filed:** **Oct. 27, 2003**

(30) **Foreign Application Priority Data**

Jun. 5, 2003 (HK) 0310856

(51) **LOC (6) Cl.** **21-01**

(52) **U.S. Cl.** **D21/566**

(58) **Field of Search** D21/266, 324,
D21/331, 333; D14/400, 401, 217, 218;
446/454-456; 463/6, 7, 37-39, 46, 47;
D13/168

(56) **References Cited**

U.S. PATENT DOCUMENTS

- 4,552,360 A * 11/1985 Bromley et al. 463/38
- D283,718 S * 5/1986 Kondo D21/566
- D302,446 S * 7/1989 Cheng D21/566
- D313,439 S * 1/1991 Kohno D21/566

- 5,158,495 A * 10/1992 Yonezawa 446/456
- D389,529 S * 1/1998 Hayami D14/401
- D390,613 S * 2/1998 Kanetsuna et al. D21/566
- D411,265 S * 6/1999 Kanetsuna et al. D21/566
- 6,342,010 B1 * 1/2002 Slifer 463/39
- D478,638 S * 8/2003 Mukaida D21/566
- D480,117 S * 9/2003 Mukaida D21/566
- 6,893,320 B2 * 5/2005 Caiozza 446/456

* cited by examiner

Primary Examiner—Holly Baynham
Assistant Examiner—Cynthia M. Chin
(74) *Attorney, Agent, or Firm*—Merchant & Gould P.C.

(57) **CLAIM**

The ornamental design for a radio controller for toy car, as shown and described.

DESCRIPTION

FIG. 1 is a front view of a radio controller for toy car in accordance with my invention;
FIG. 2 is a rear view thereof;
FIG. 3 is a left side view thereof;
FIG. 4 is a right side view thereof;
FIG. 5 is a top plan view thereof;
FIG. 6 is a bottom view thereof; and,
FIG. 7 is a perspective view thereof.

1 Claim, 7 Drawing Sheets

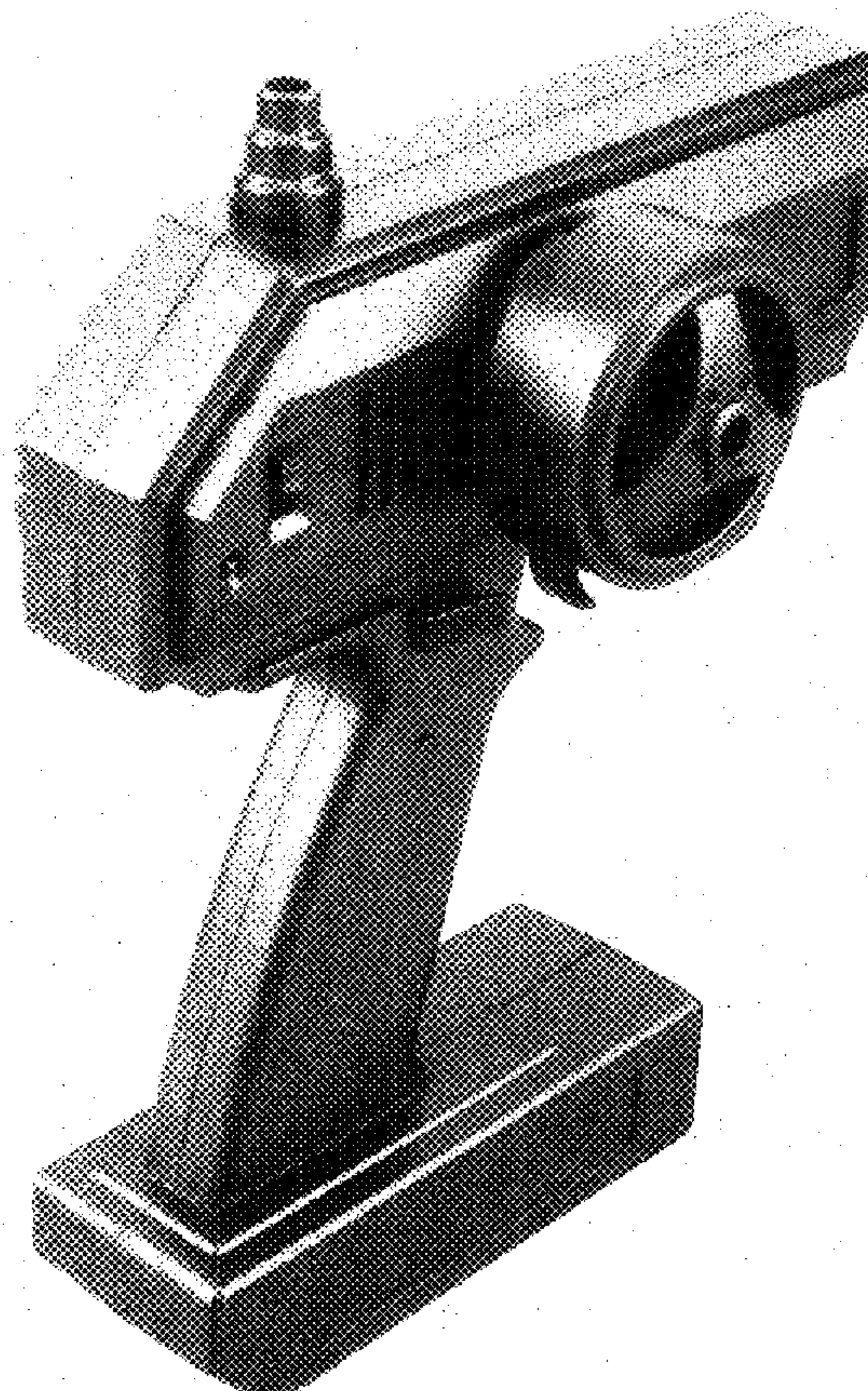


FIG. 1

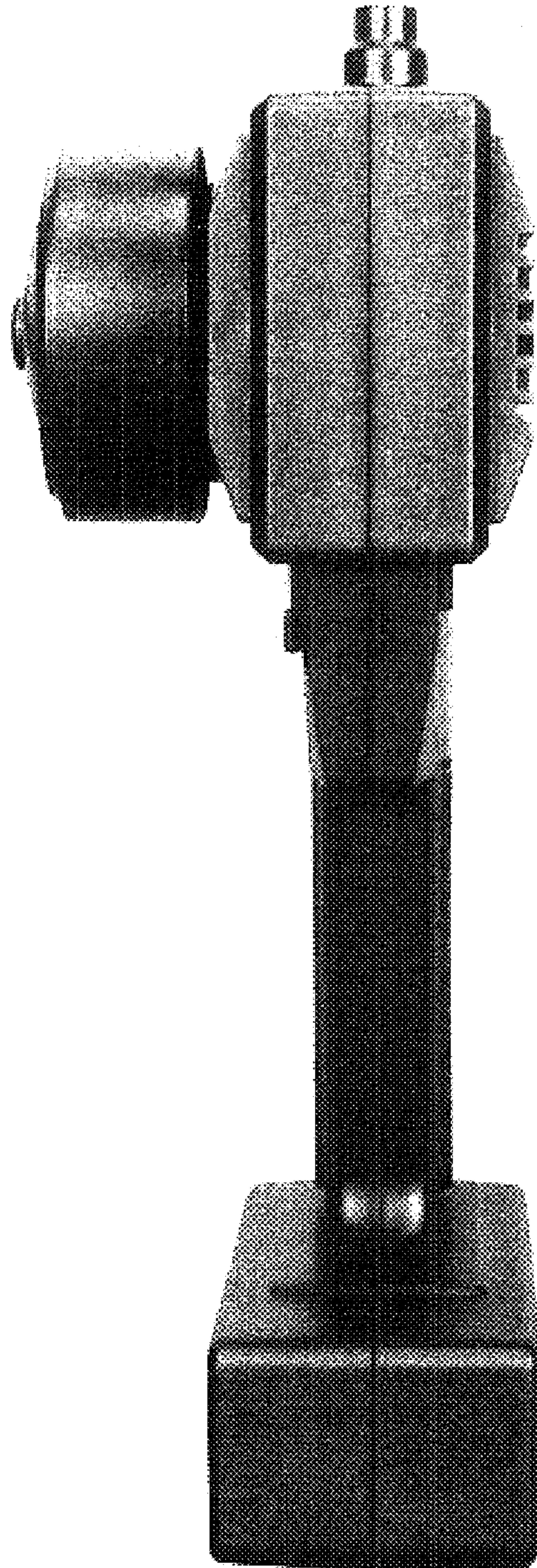


FIG. 2

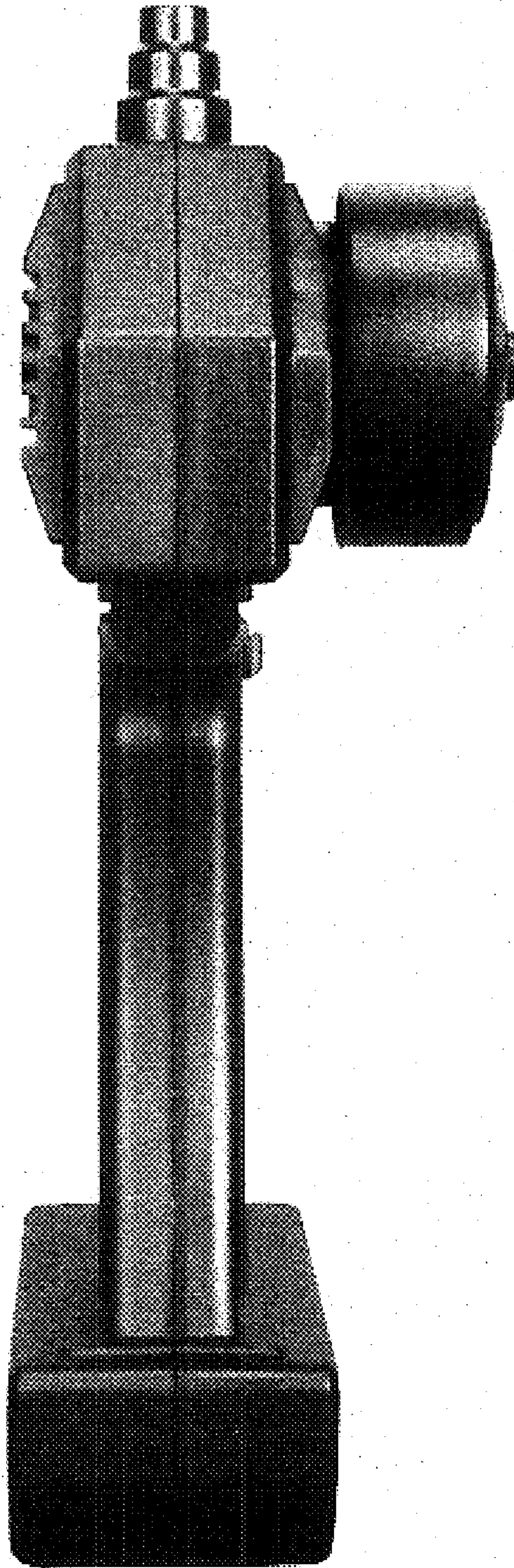


FIG. 3



FIG. 4



FIG. 5

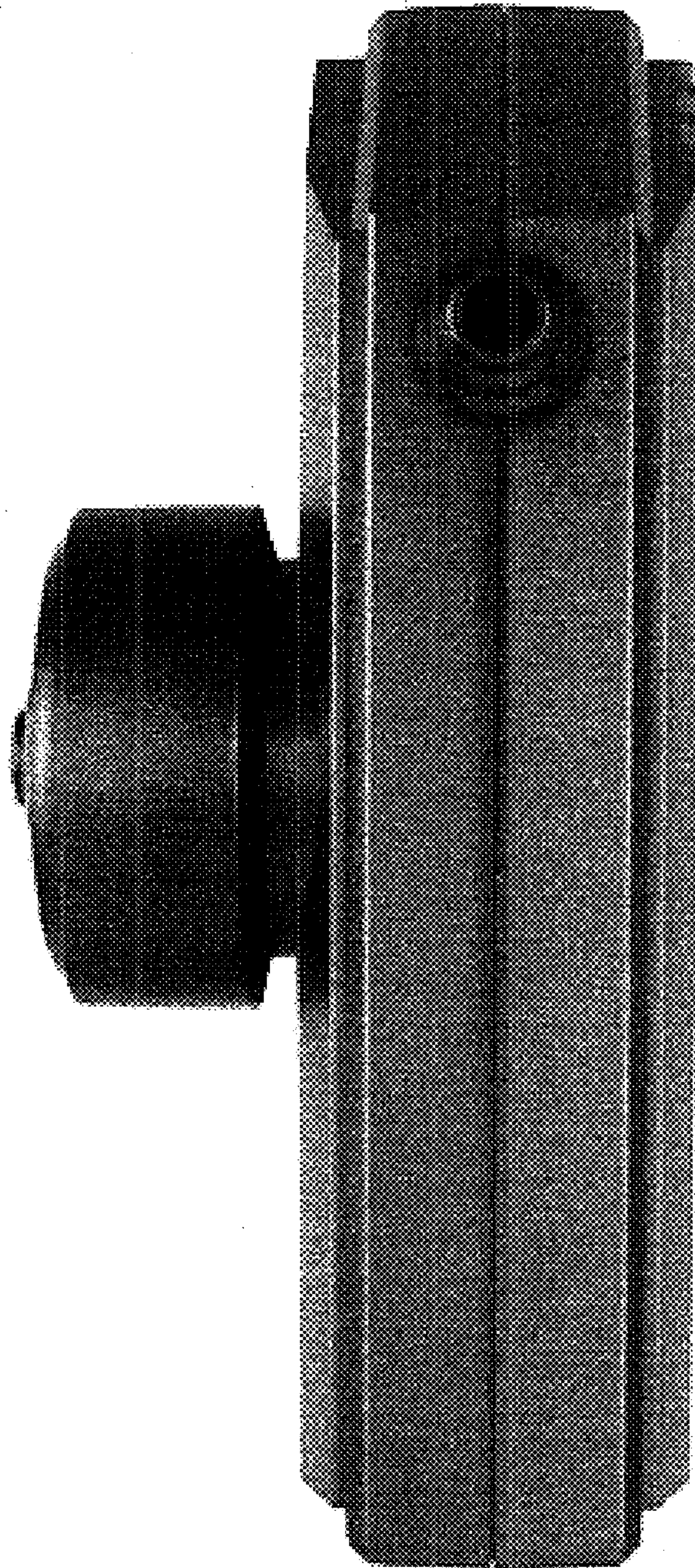


FIG. 6

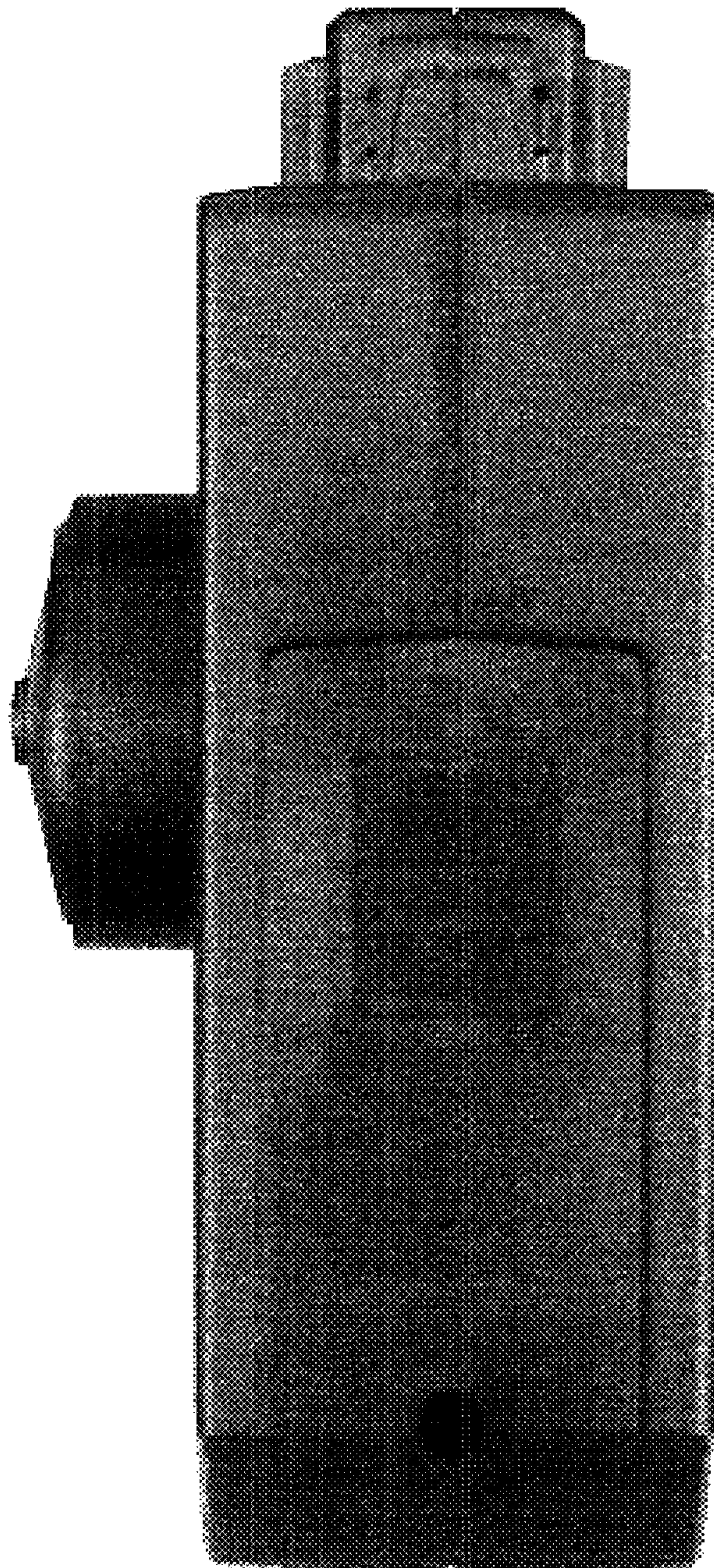


FIG. 7

