



US00D513040S

(12) **United States Design Patent** (10) **Patent No.:** **US D513,040 S**
Bartholomew et al. (45) **Date of Patent:** **** Dec. 20, 2005**

(54) **COSMETIC DISPENSER**
(75) Inventors: **Julie R. Bartholomew**, Birmingham, MI (US); **Richard T. Jobe**, Dayton, OH (US); **Thomas C. Bodiker, II**, Englewood, OH (US)
(73) Assignee: **IMX Labs, Inc.**, Birmingham, MI (US)
(**) Term: **14 Years**
(21) Appl. No.: **29/216,713**
(22) Filed: **Nov. 8, 2004**

4,953,985 A 9/1990 Miller
4,967,938 A 11/1990 Hellenberg
5,044,520 A 9/1991 Moisan
D322,542 S 12/1991 Fontlladosa
5,078,302 A 1/1992 Hellenberg
5,119,973 A 6/1992 Miller et al.
D327,695 S 7/1992 Edstrom
D327,895 S 7/1992 Edstrom
5,137,367 A 8/1992 Madonia et al.
5,163,010 A 11/1992 Klein et al.
5,193,720 A 3/1993 Mayberry
5,197,802 A 3/1993 Miller et al.
5,268,620 A 12/1993 Hellenberg
5,271,628 A 12/1993 Okada
5,305,917 A 4/1994 Miller et al.
5,310,257 A 5/1994 Altieri, Jr. et al.
D347,645 S 6/1994 Miller

Related U.S. Application Data

(60) Continuation of application No. 29/192,696, filed on Oct. 28, 2003, now Pat. No. Des. 500,804, which is a division of application No. 29/157,727, filed on Mar. 22, 2002, now Pat. No. Des. 485,310.

(51) **LOC (6) Cl.** **20-01**
(52) **U.S. Cl.** **D20/4**
(58) **Field of Search** 141/18, 8, 104;
222/1, 135, 144, 144.5, 145.1; D20/1, 4,
5, 99; D6/515; D7/590; D9/339; D21/325,
369, 374; 221/92, 103, 113, 133; 273/447-8;
312/114

(56) **References Cited**

U.S. PATENT DOCUMENTS

1,912,899 A * 6/1933 Johannsen 312/114
D90,897 S * 10/1933 Rockola D21/374
D96,564 S 8/1935 Simpkins
D192,180 S 2/1962 Hodgman
D192,301 S * 2/1962 Schaeff D20/1
3,024,583 A 3/1962 Gastright
3,036,732 A 5/1962 Schaeff
D248,693 S * 7/1978 Housman D20/1
4,133,525 A 1/1979 Balles et al.
4,176,762 A 12/1979 Scalera et al.
4,561,850 A 12/1985 Fabbri et al.
4,705,083 A 11/1987 Rossetti
4,871,262 A 10/1989 Krauss et al.
D306,808 S 3/1990 Thomas

(Continued)

FOREIGN PATENT DOCUMENTS

EP 1093842 4/2001
WO WO 99/34905 7/1999
WO WO 01/75586 10/2001
WO WO 03/026458 4/2003

OTHER PUBLICATIONS

Search Report dated May 23, 2003 (1026-017WO).

Primary Examiner—Robert M. Spear
(74) *Attorney, Agent, or Firm*—Dobrusin & Thennisch PC

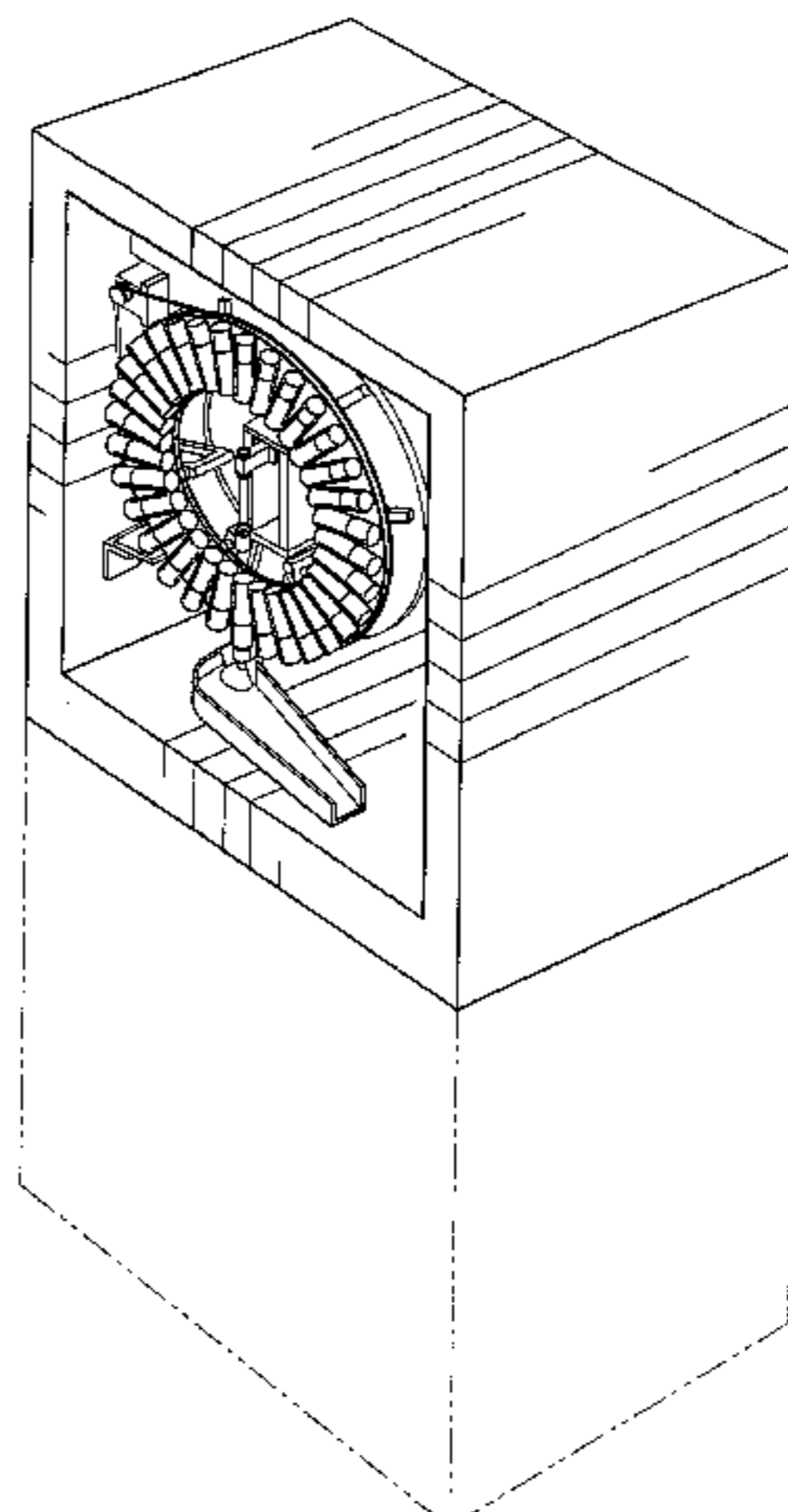
(57) **CLAIM**

The ornamental design for a cosmetic dispenser, as shown and described.

DESCRIPTION

The drawing illustrates a perspective view of a cosmetic dispenser of the present invention. The broken lines in the drawings depict environmental structure, which forms no part of the claimed design.
The broken lines in the drawings represent environmental structure only and form no part of the claimed design.

1 Claim, 1 Drawing Sheet



US D513,040 S

Page 2

U.S. PATENT DOCUMENTS

D347,646 S	6/1994	Mayberry		D401,246 S	11/1998	Langeveld et al.
5,328,057 A	7/1994	Hellenberg et al.		5,862,947 A	1/1999	Wiegner et al.
D349,506 S	8/1994	Caruso et al.		5,897,204 A	4/1999	Dittmer et al.
5,356,041 A	10/1994	Hellenberg et al.		5,903,465 A	5/1999	Brown
5,361,812 A	11/1994	Arneson et al.		5,904,421 A	5/1999	Mazzalveri
5,368,196 A	11/1994	Hellenberg et al.		5,906,433 A	5/1999	Mazzalveri
5,397,134 A	3/1995	Fishman et al.		5,938,080 A	8/1999	Haaser et al.
D357,142 S	* 4/1995	Jones et al.	D6/456	5,992,691 A	11/1999	Post et al.
5,478,238 A	12/1995	Gourtou et al.		6,002,488 A	12/1999	Berg et al.
D366,304 S	1/1996	Lewis		6,003,731 A	12/1999	Post et al.
5,480,288 A	1/1996	Hellenberg et al.		6,035,860 A	3/2000	Mombourquette
5,507,575 A	4/1996	Rossetti		6,056,158 A	5/2000	Rossetti et al.
5,549,372 A	8/1996	Lewis		6,089,538 A	7/2000	Shirkhan
D374,677 S	10/1996	Hodson et al.		6,139,429 A	10/2000	Shoemaker, Jr.
5,626,260 A	5/1997	Waldner		6,412,658 B1	7/2002	Bartholomew et al.
5,632,314 A	5/1997	Koppe et al.		D461,080 S	8/2002	Bartholomew et al.
5,690,252 A	11/1997	Olkesiewicz et al.		D465,810 S	* 11/2002	Bartholomew et al. D20/1
5,697,527 A	12/1997	Altieri, Jr. et al.		6,615,881 B2	* 9/2003	Bartholomew et al. 141/18
5,711,458 A	1/1998	Langeveld et al.		D485,310 S	* 1/2004	Bartholomew et al. D20/4
5,711,601 A	1/1998	Thomas et al.		6,672,341 B2	* 1/2004	Bartholomew et al. 141/18
5,720,017 A	2/1998	Cheetam et al.		D500,804 S	* 1/2005	Bartholomew et al. D20/4
5,778,901 A	7/1998	Abrahamian		2003/0062379 A1	4/2003	Bartholomew et al.
5,785,510 A	7/1998	Altieri, Jr. et al.		2003/0090176 A1	5/2003	Bartholomew et al.
5,797,750 A	8/1998	Gouriou et al.				

* cited by examiner

