



US00D513039S

(12) **United States Design Patent**  
**Yoshida**

(10) **Patent No.:** **US D513,039 S**

(45) **Date of Patent:** **\*\* Dec. 20, 2005**

(54) **EQUIPMENT FOR STANDING AND HOLDING PAPER**

5,528,796 A \* 6/1996 Perry et al. .... 16/355  
D387,922 S \* 12/1997 Dormon et al. .... D6/418

(75) Inventor: **Tsukasa Yoshida**, Tokyo (JP)

\* cited by examiner

(73) Assignee: **NS Planning Inc.**, Tokyo (JP)

*Primary Examiner*—Jeffrey Asch  
*Assistant Examiner*—Elizabeth Albert

(\*\*) Term: **14 Years**

(74) *Attorney, Agent, or Firm*—Sughrue Mion, PLLC

(21) Appl. No.: **29/216,445**

(57) **CLAIM**

(22) Filed: **Nov. 4, 2004**

The ornamental design for equipment for standing and holding paper, as shown and described.

(30) **Foreign Application Priority Data**

May 6, 2004 (JP) ..... 2004-013426

**DESCRIPTION**

(51) **LOC (6) Cl.** ..... **19-02**

FIG. 1 is a perspective view of the top, front and right side of equipment for standing and holding paper showing my new design;

(52) **U.S. Cl.** ..... **D19/90**

FIG. 2 is a front elevational view thereof;

(58) **Field of Search** ..... D8/373, 394, 395;

FIG. 3 is a rear elevational view thereof;

D19/75, 86, 87, 88, 90, 91, 99, 100; 40/343,

FIG. 4 is a top plan view thereof;

345; 248/220.21, 229.16, 229.26, 230.7,

FIG. 5 is a bottom plan view thereof;

231.81, 441.1, 442.2, 445

FIG. 6 is a right side elevational view, the left side elevational view being a mirror image thereof; and,

(56) **References Cited**

FIG. 7 is a perspective view showing the equipment in use.

**U.S. PATENT DOCUMENTS**

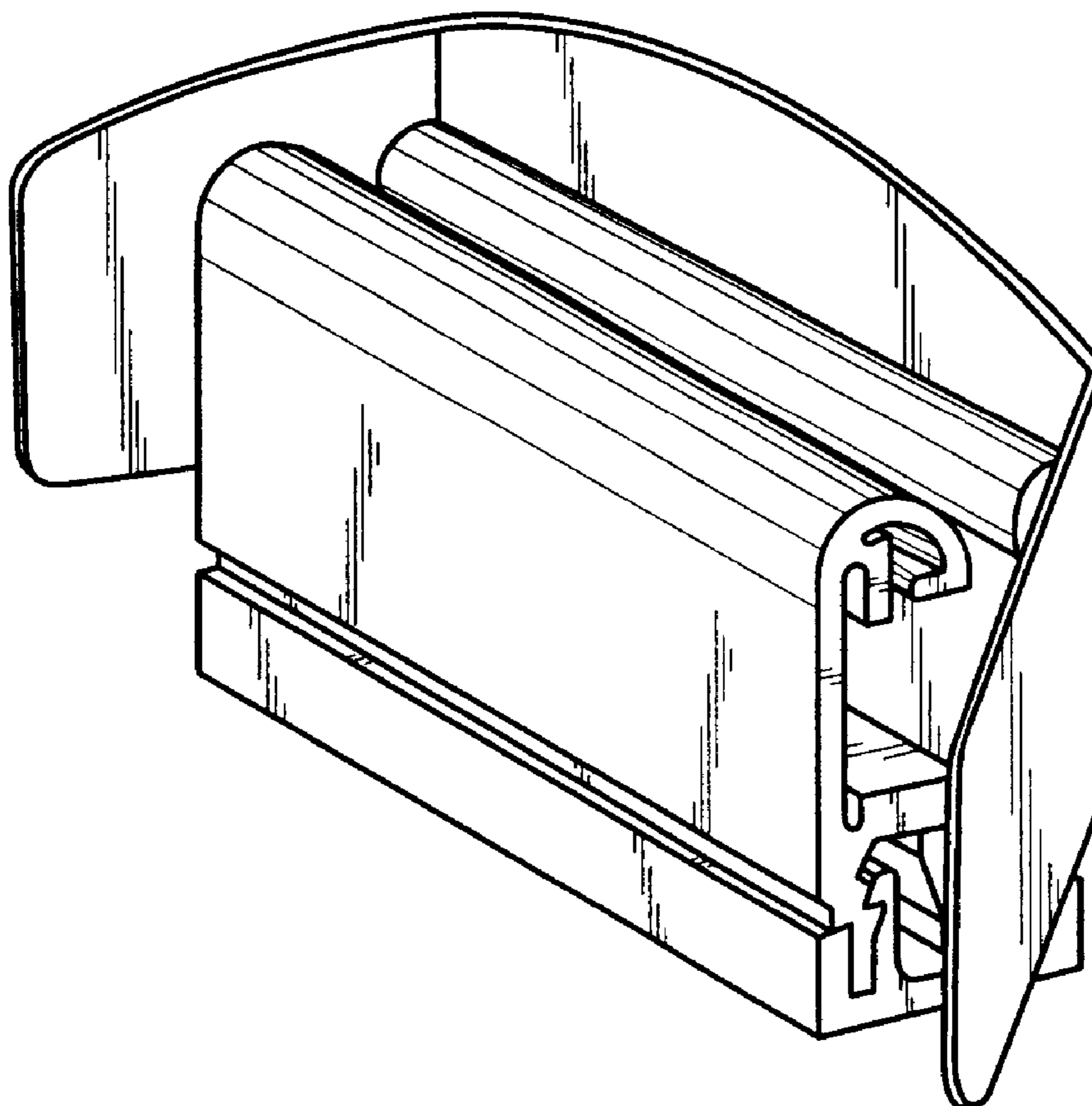
The elements shown in broken lines are for illustrative purposes only and form no part of the claimed design.

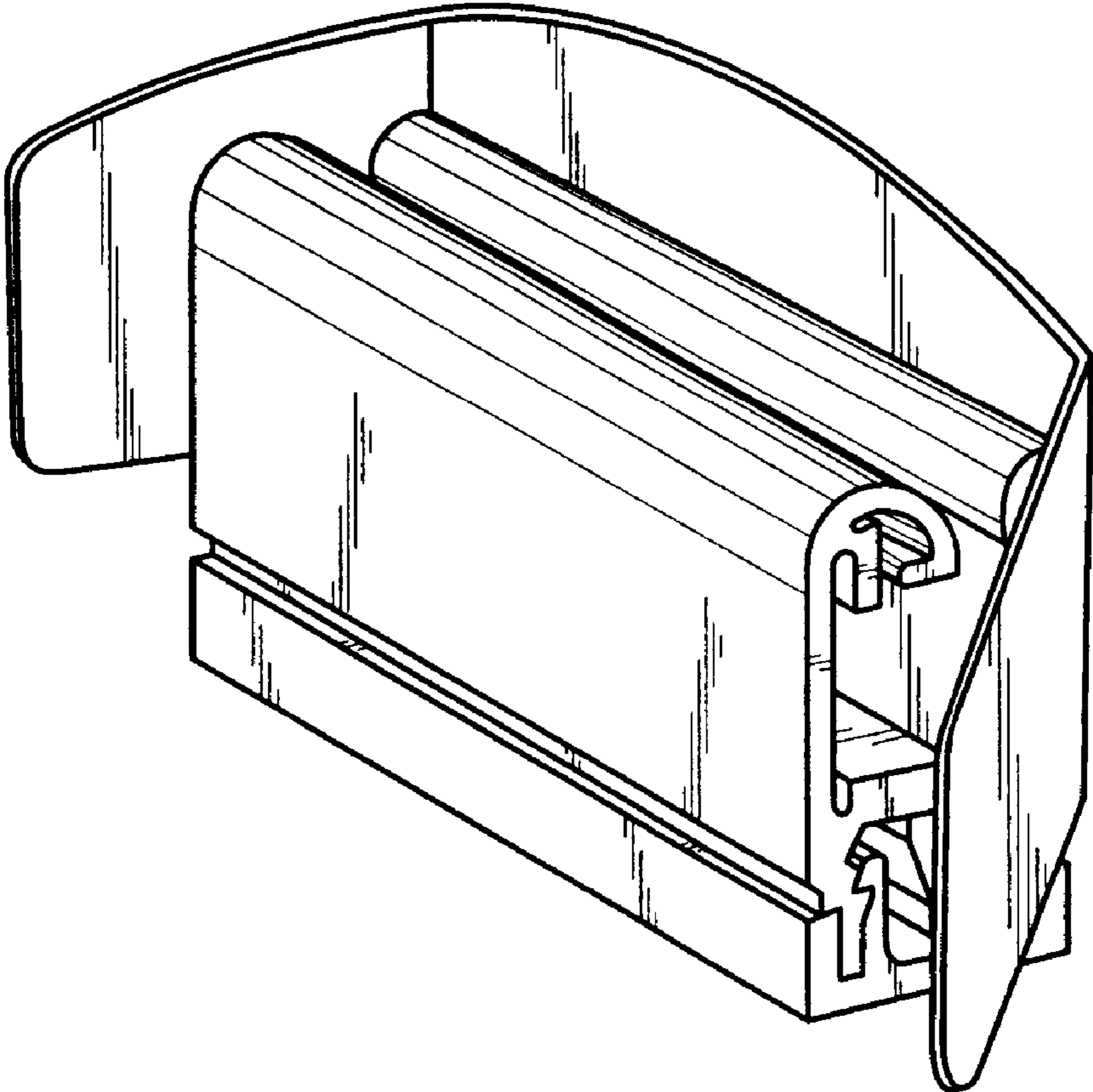
1,997,048 A \* 4/1935 Demmy ..... 248/300

D256,258 S \* 8/1980 Varrin ..... D20/43

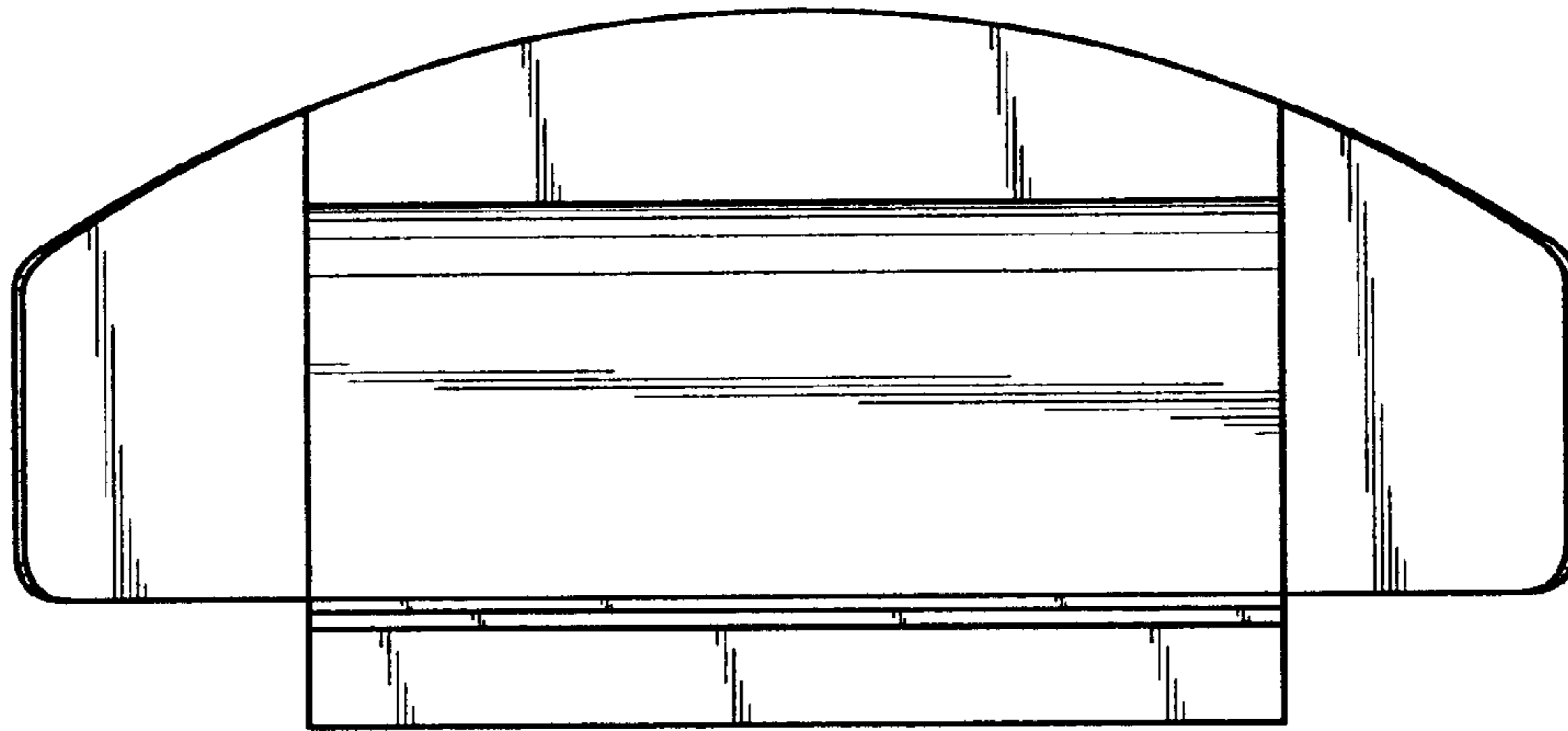
D266,858 S \* 11/1982 Cole ..... D19/90

**1 Claim, 4 Drawing Sheets**

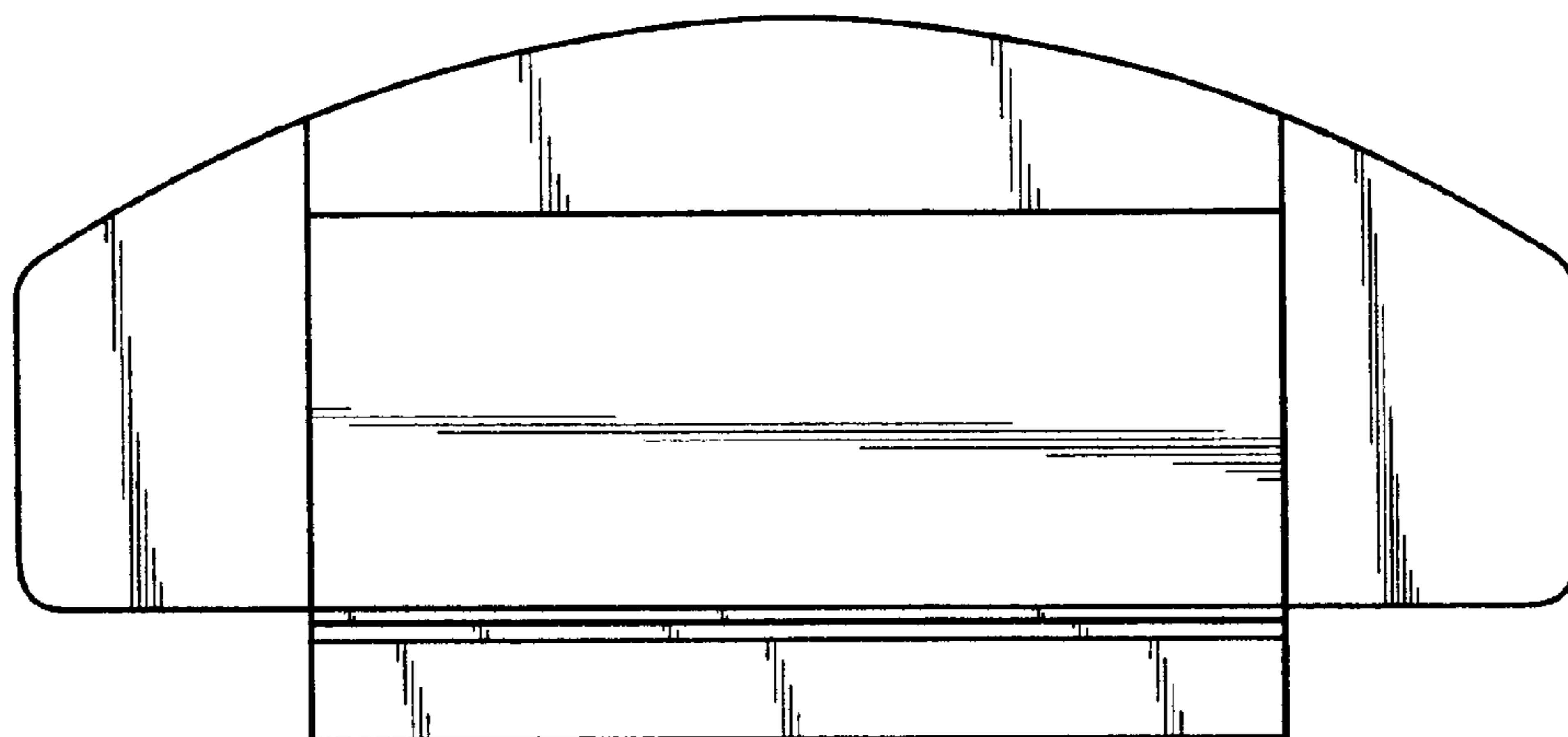




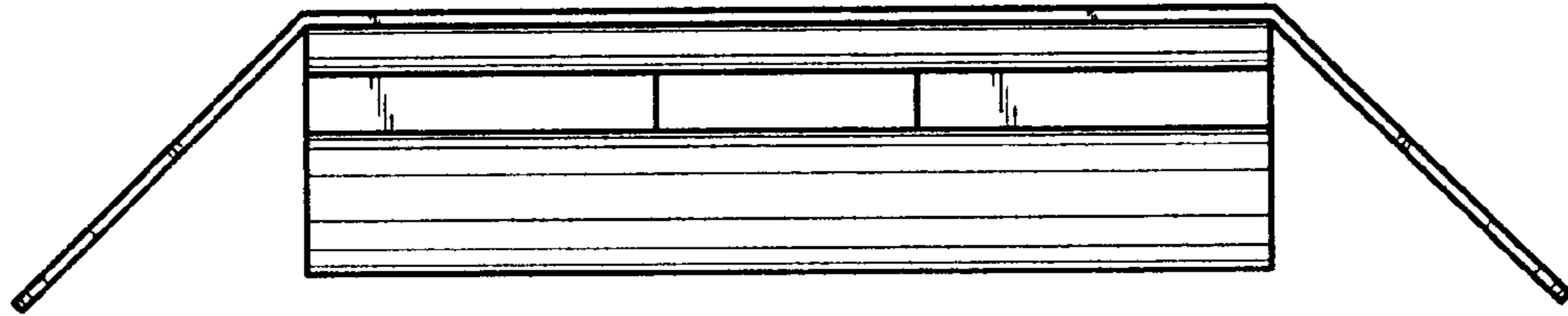
*Fig. 1*



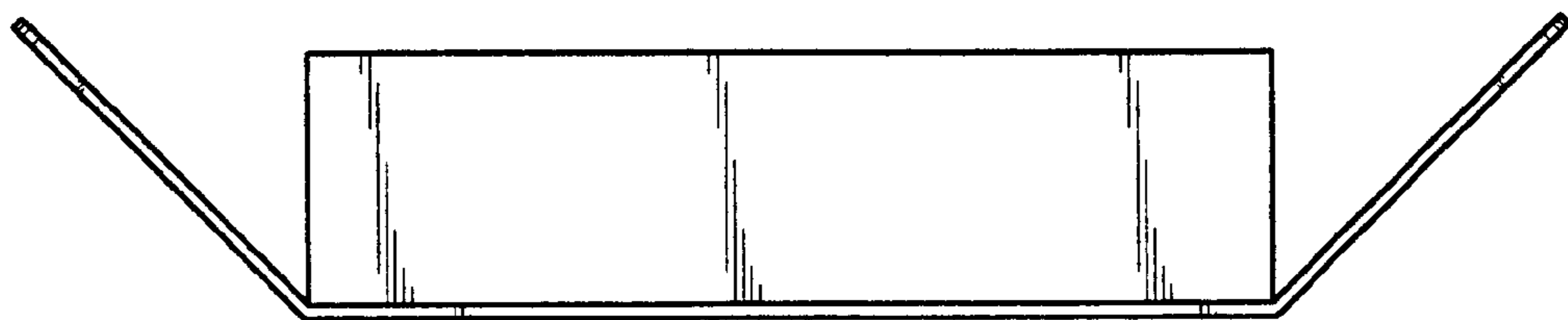
*Fig. 2*



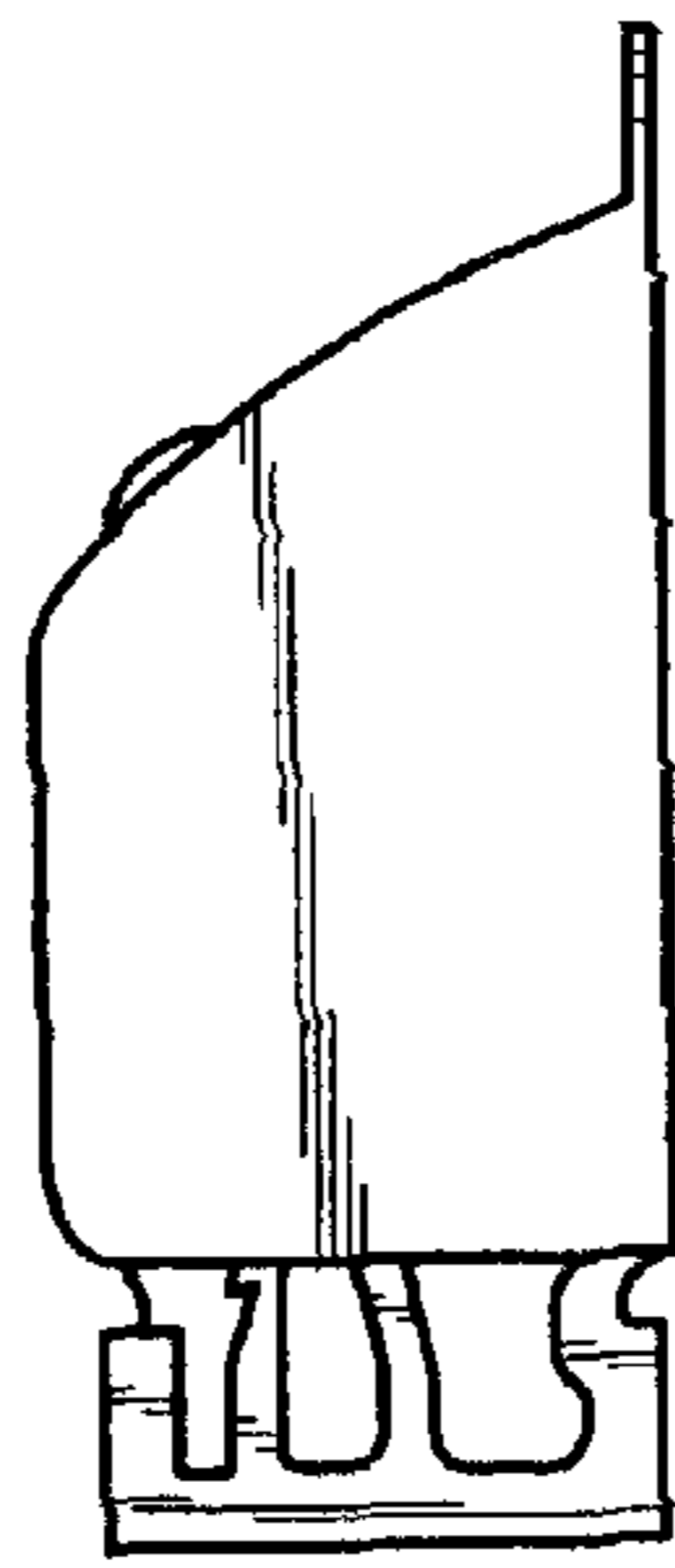
*Fig. 3*



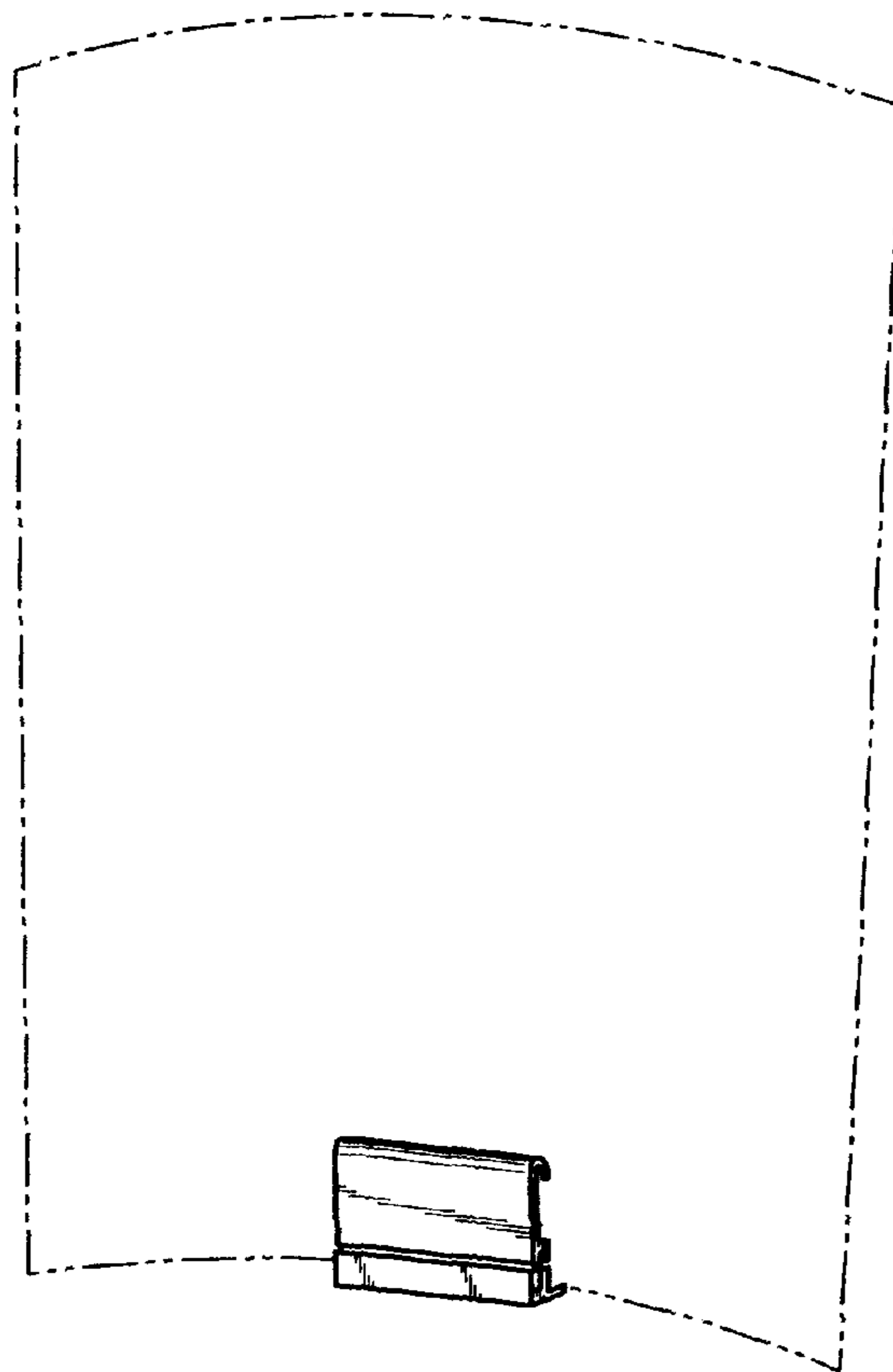
*Fig. 4*



*Fig. 5*



*Fig. 6*



*Fig. 7*