



US00D513036S

(12) **United States Design Patent**
Wan et al.

(10) **Patent No.:** **US D513,036 S**
(45) **Date of Patent:** **** Dec. 20, 2005**

(54) **STAMP**

(75) Inventors: **Kam Hung Wan**, New Territories (CN); **Wallace Hin Wah Tsang**, New Territories (CN)

(73) Assignee: **Hong Kong Durable Chops Limited**, Hong Kong (CN)

(**) Term: **14 Years**

(21) Appl. No.: **29/208,921**

(22) Filed: **Jul. 8, 2004**

(51) **LOC (6) Cl.** **19-02**

(52) **U.S. Cl.** **D18/15**

(58) **Field of Search** D18/15-18, 50;
101/333-334, 327, 405, 406, 328, 352.07;
118/264, 268

(56) **References Cited**

U.S. PATENT DOCUMENTS

- 3,158,096 A * 11/1964 Arnold 101/368
- D232,484 S * 8/1974 Michels D18/18
- D352,521 S * 11/1994 Sculler et al. D18/15

- D359,504 S * 6/1995 Stefanski et al. D18/15
- D372,729 S * 8/1996 Hewitt D18/18
- D378,828 S * 4/1997 Harden D18/15
- D427,234 S * 6/2000 Loy et al. D18/15
- D492,343 S * 6/2004 Zambelli D18/15

* cited by examiner

Primary Examiner—Charles A. Rademaker

(74) *Attorney, Agent, or Firm*—Alix, Yale & Ristas, LLP

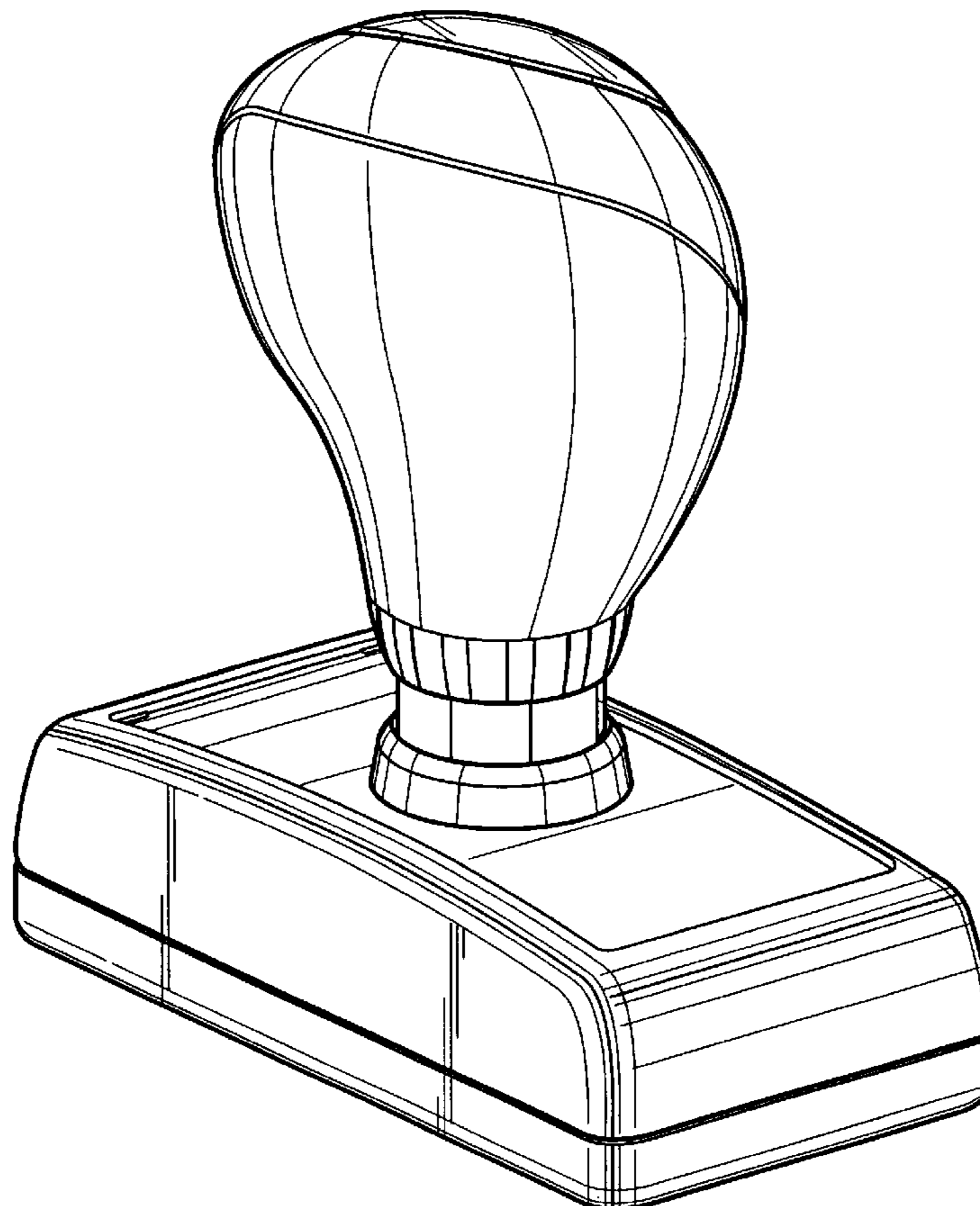
(57) **CLAIM**

The ornamental design for a stamp, as shown and described.

DESCRIPTION

FIG. 1 is a front perspective view of the stamp showing our new design;
 FIG. 2 is a front view of the stamp of FIG. 1;
 FIG. 3 is a top plan view of the stamp of FIG. 1;
 FIG. 4 is a left side view of the stamp of FIG. 1;
 FIG. 5 is a right side view of the stamp of FIG. 1;
 FIG. 6 is a rear view of the stamp of FIG. 1;
 FIG. 7 is a bottom plan view of the stamp of FIG. 1; and,
 FIG. 8 is a rear perspective view of the stamp of FIG. 1 in a separated position.

1 Claim, 5 Drawing Sheets



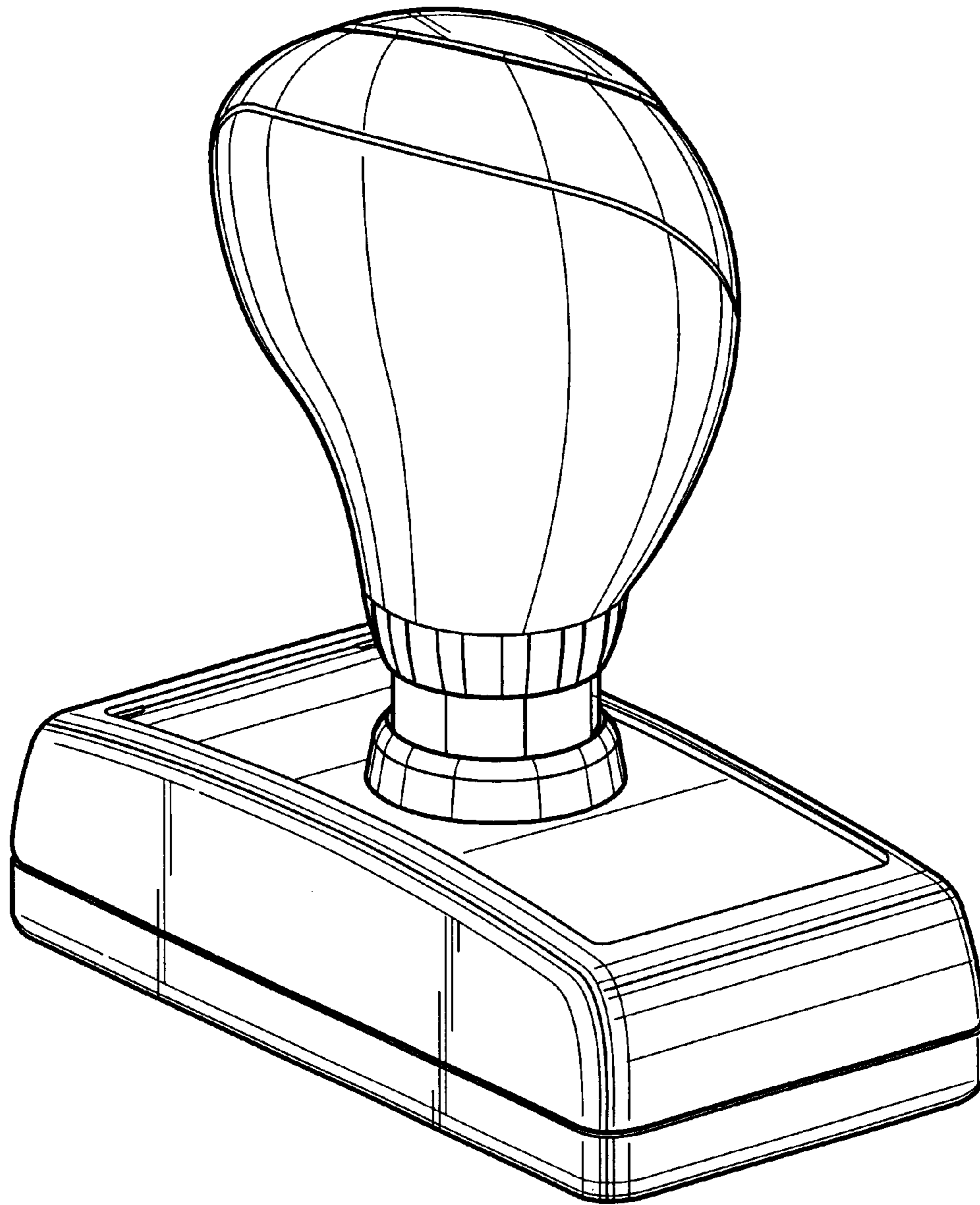


FIG. 1

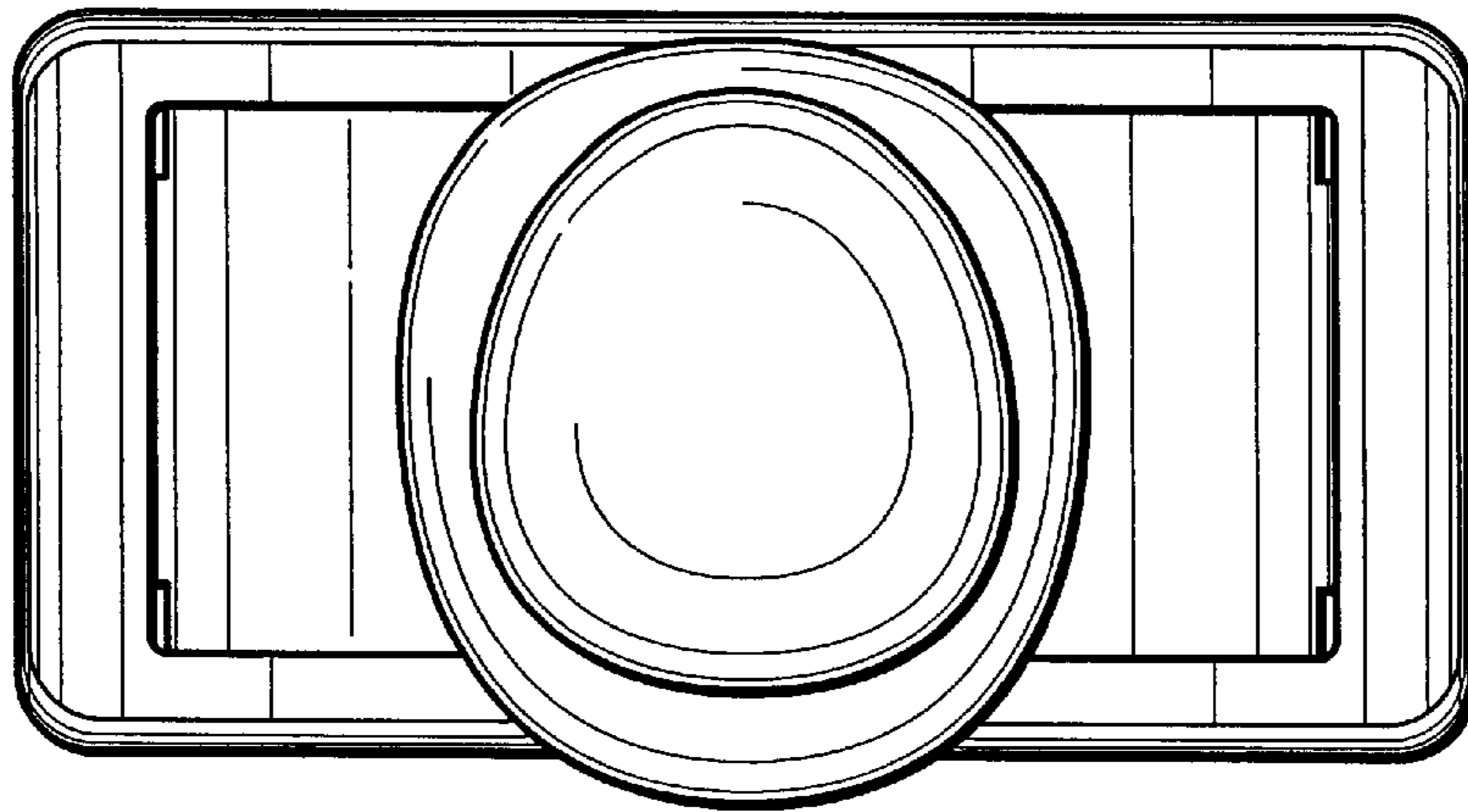


FIG. 3

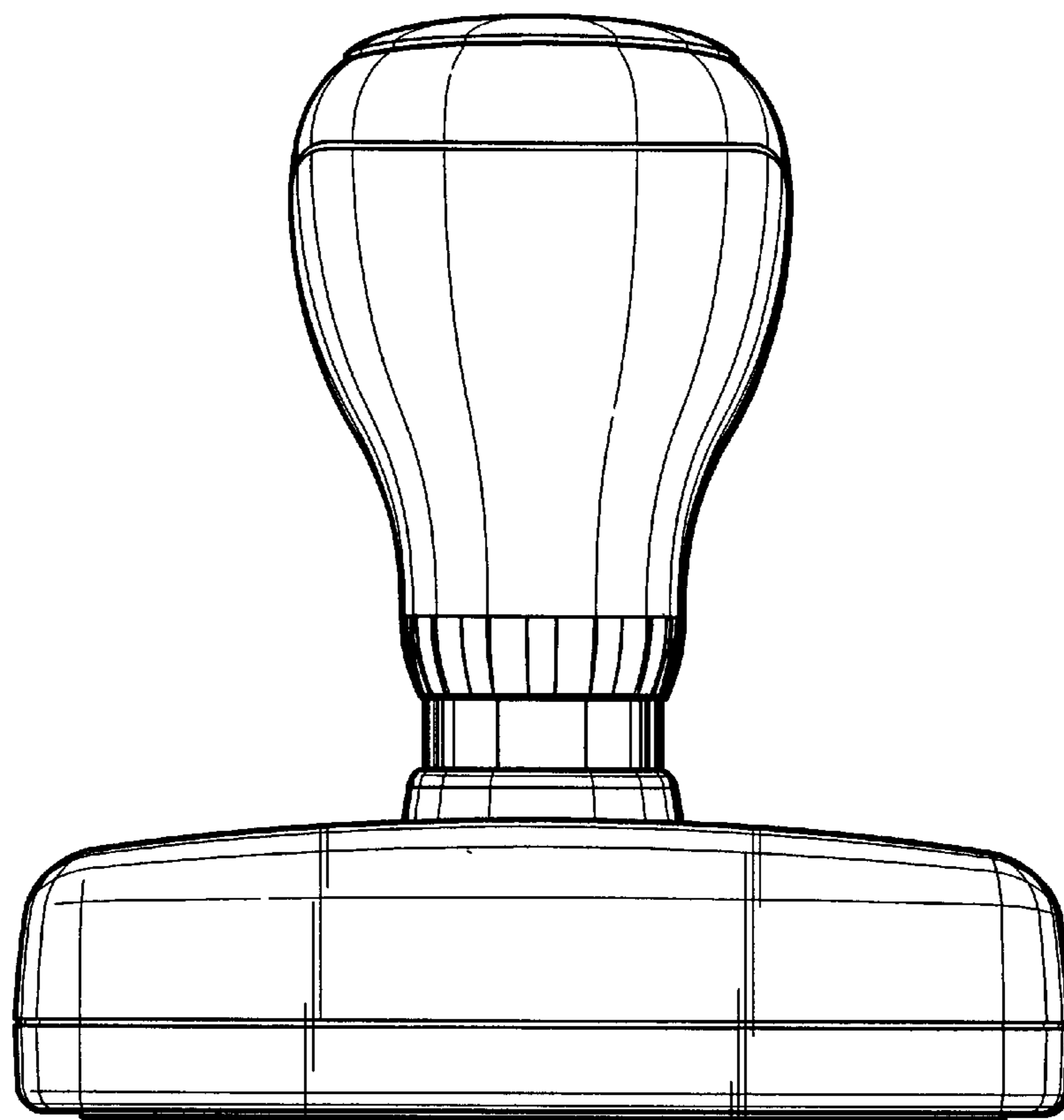


FIG. 2

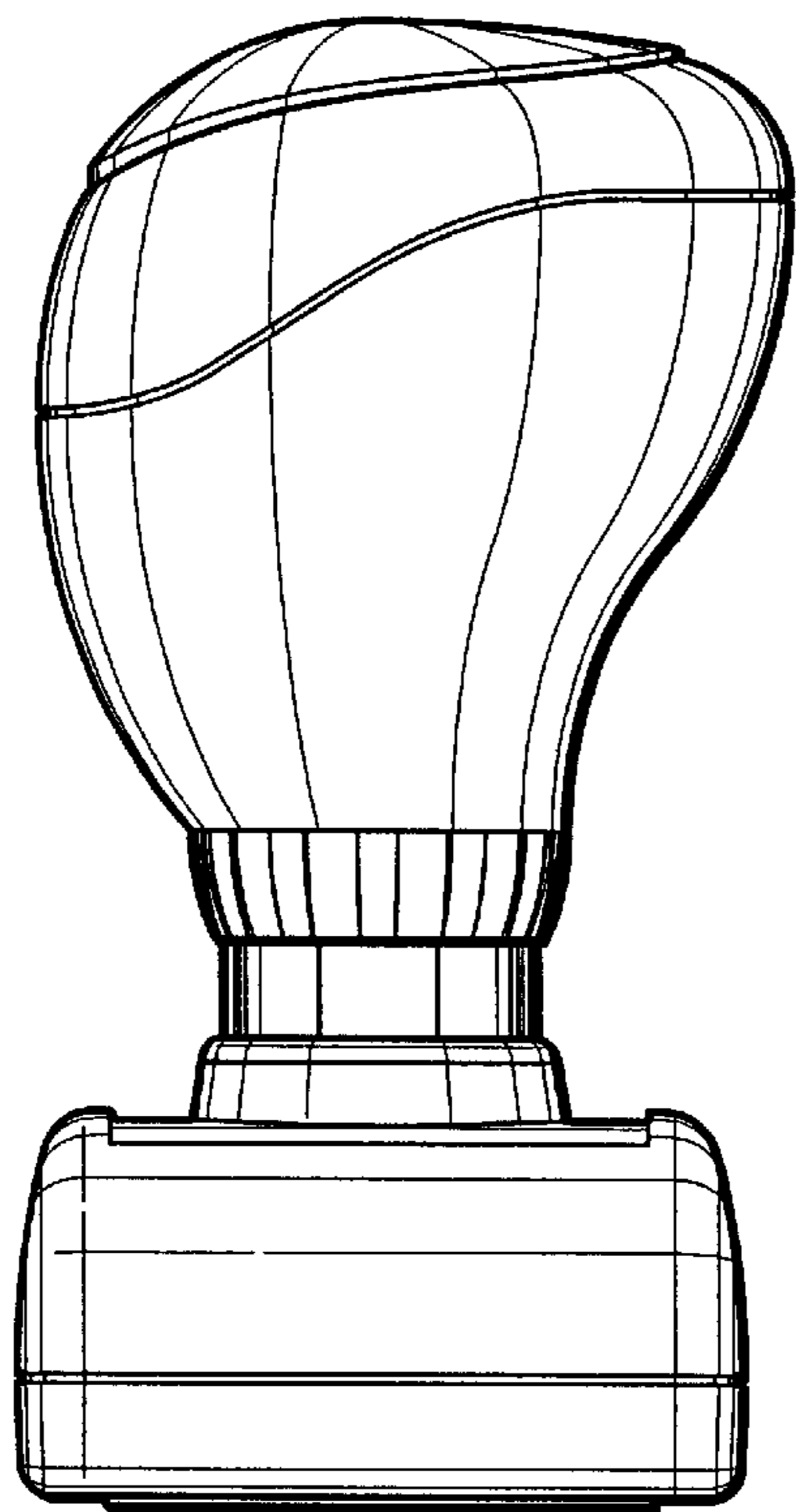


FIG. 4

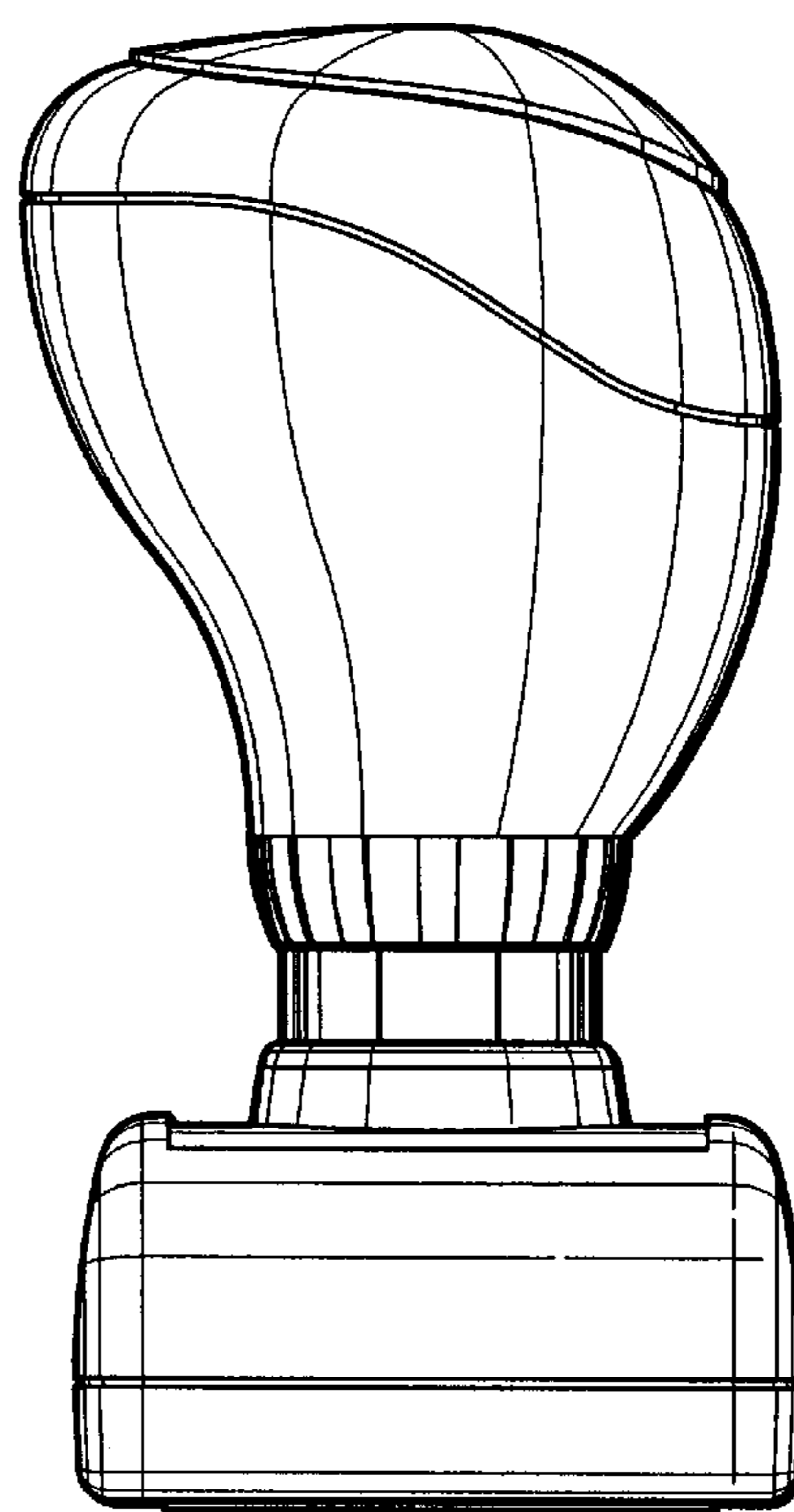


FIG. 5

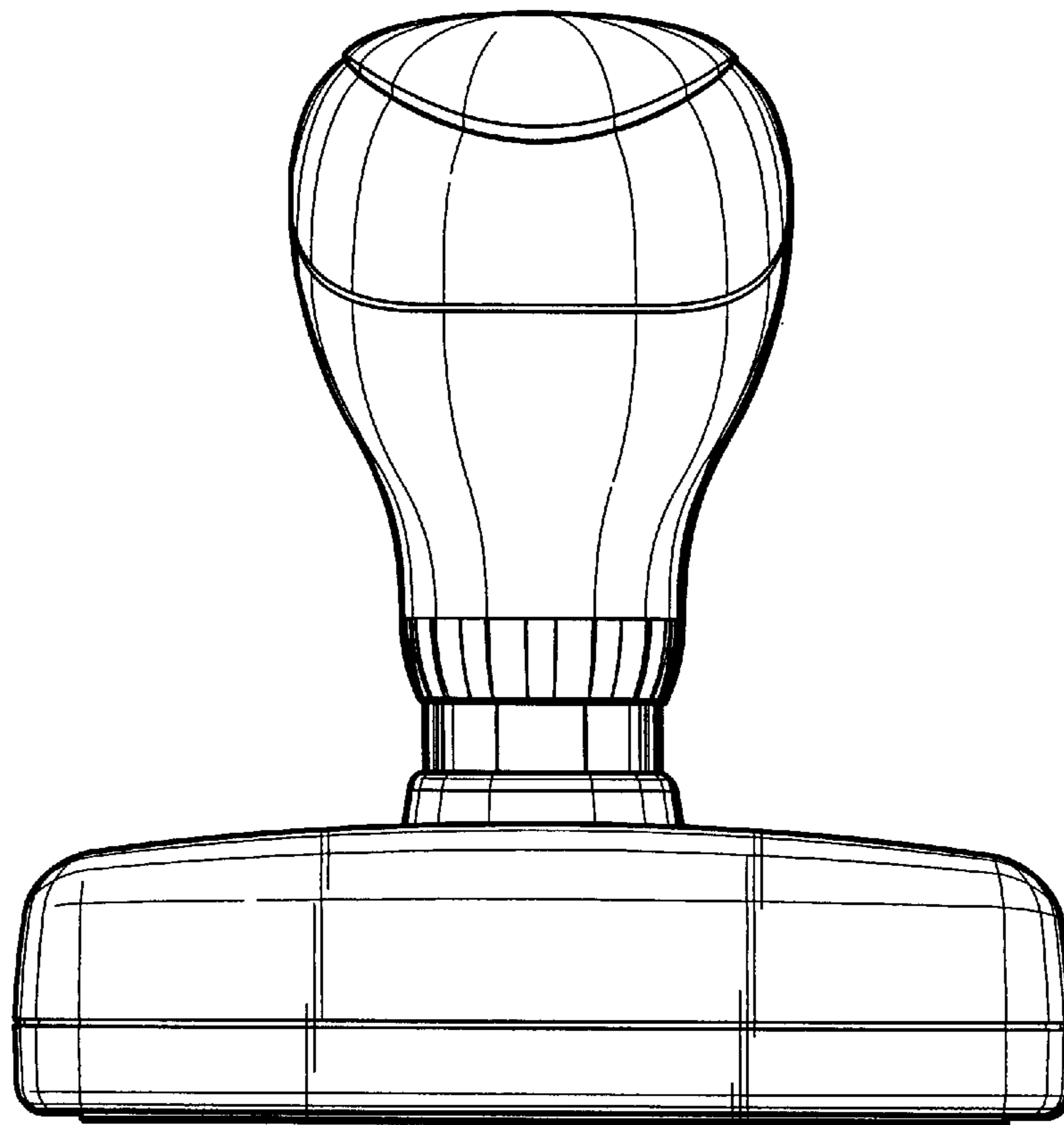


FIG. 6

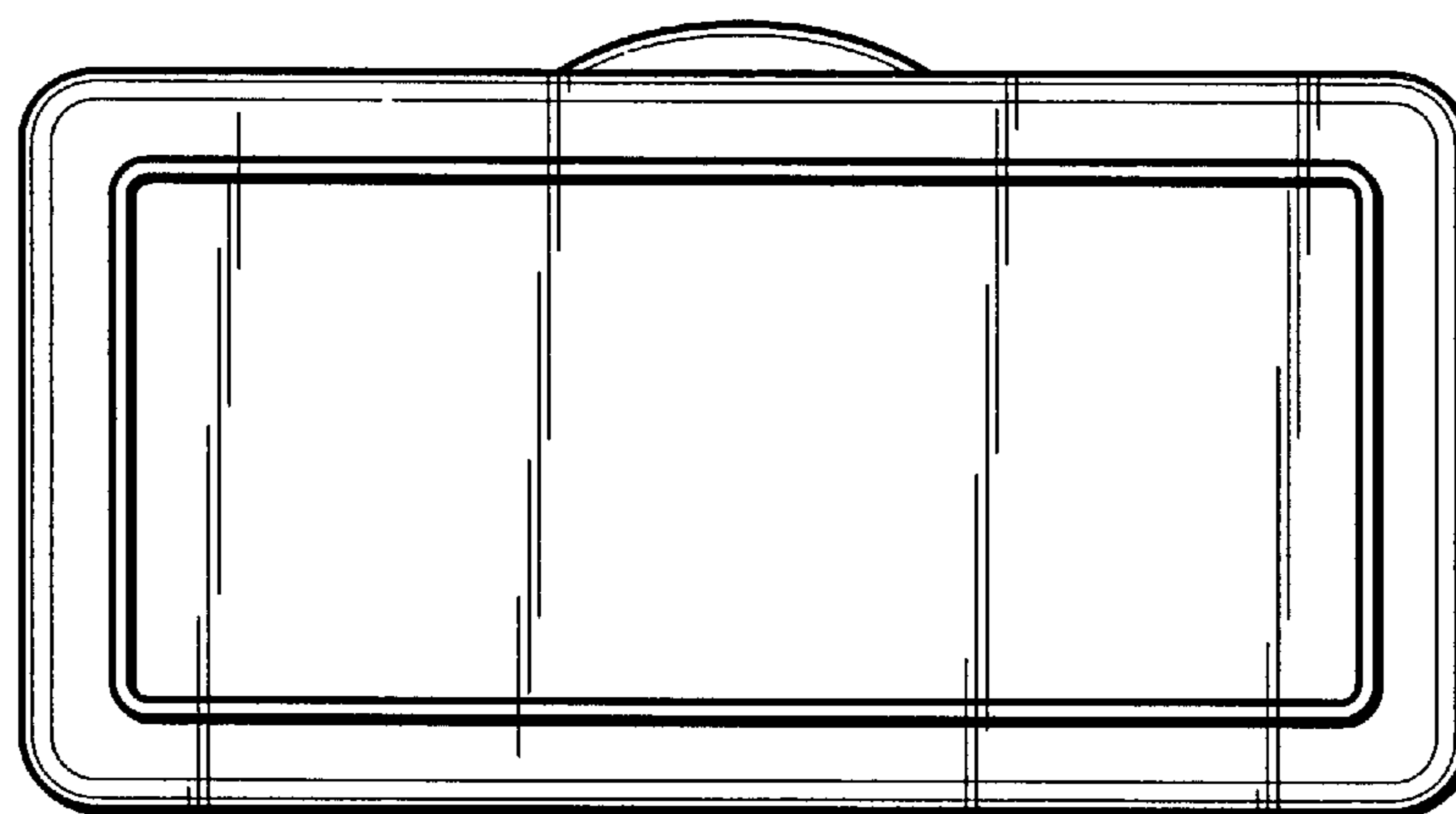


FIG. 7

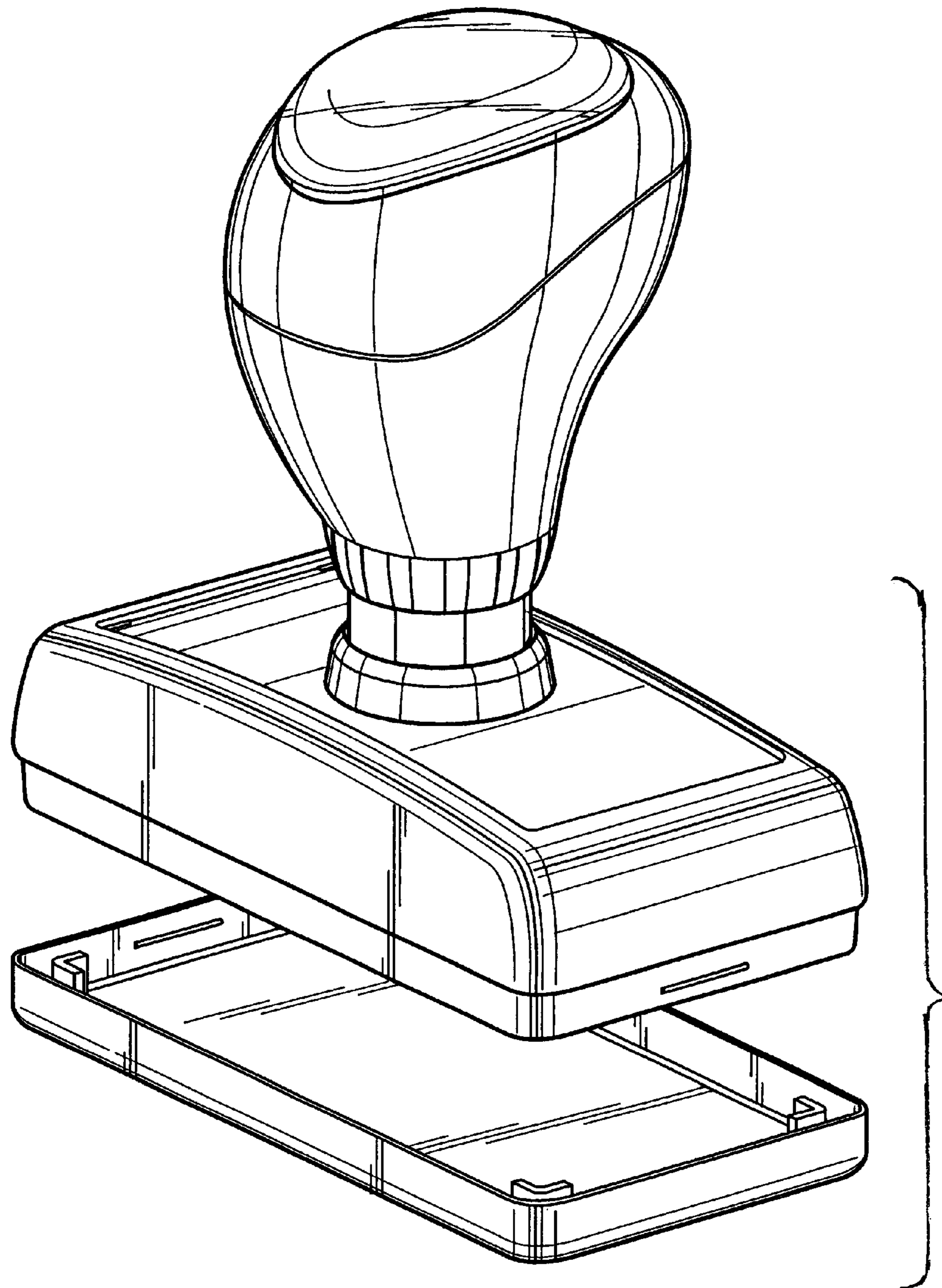


FIG. 8