



US00D513030S

(12) **United States Design Patent**  
**Schoenert et al.**

(10) **Patent No.: US D513,030 S**

(45) **Date of Patent: \*\* Dec. 20, 2005**

(54) **PROJECTOR**

(75) Inventors: **Richard Schoenert**, Sherwood, OR  
(US); **Phillip H. Salvatori**, Salem, OR  
(US); **Danny Han**, Tigard, OR (US)

(73) Assignee: **InFocus Corporation**, Wilsonville, OR  
(US)

(\*\*) Term: **14 Years**

(21) Appl. No.: **29/214,463**

(22) Filed: **Sep. 30, 2004**

(51) **LOC (6) Cl.** ..... **16-02**

(52) **U.S. Cl.** ..... **D16/221**

(58) **Field of Search** ..... D16/208, 213,  
D16/221, 225, 230, 235; D21/514; 40/361-367;  
352/34, 242; 353/115, 119, 122

(56) **References Cited**

**U.S. PATENT DOCUMENTS**

2,025,366 A \* 12/1935 Von Mihaly ..... 352/34  
2,441,607 A \* 5/1948 Walls ..... D21/514

D183,071 S \* 6/1958 Tashima ..... D16/221  
3,061,961 A \* 11/1962 Cohen ..... 40/363  
4,881,334 A \* 11/1989 Brown ..... 40/365  
D320,030 S \* 9/1991 Allen ..... D16/235  
D393,865 S \* 4/1998 Starck ..... D16/221

\* cited by examiner

*Primary Examiner*—Adir Aronovich

(74) *Attorney, Agent, or Firm*—Schwabe, Williamson &  
Wyatt, P.C.

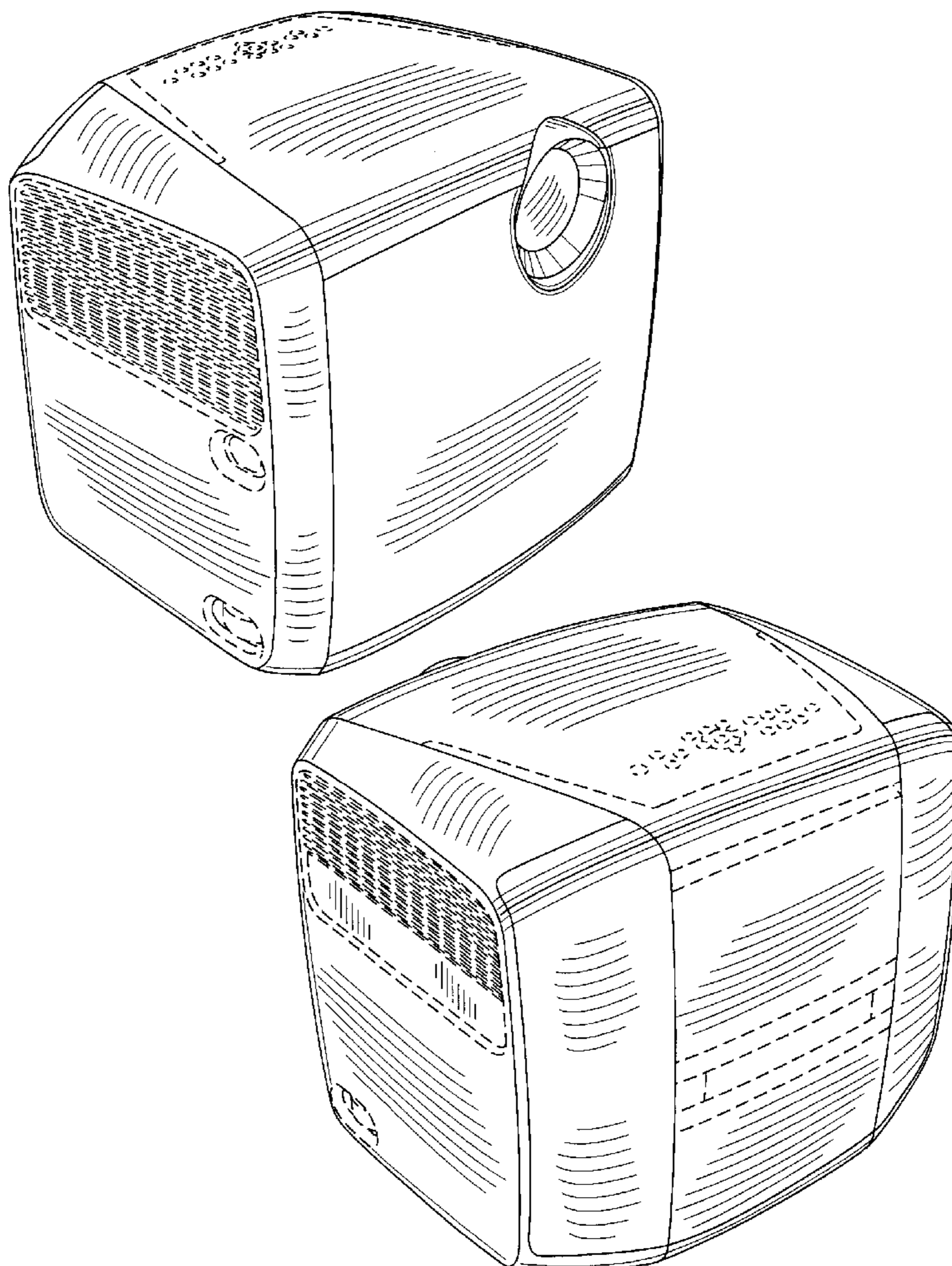
(57) **CLAIM**

The ornamental design for a projector, as shown and  
described.

**DESCRIPTION**

FIG. 1 is a top, front and a left side view of a projector  
showing our new design;  
FIG. 2 is a top, rear and a right side view thereof; and,  
FIG. 3 is a bottom plan view thereof.  
The broken lines shown in these figures are merely for  
illustrative purposes and form no part of the claimed design.

**1 Claim, 2 Drawing Sheets**



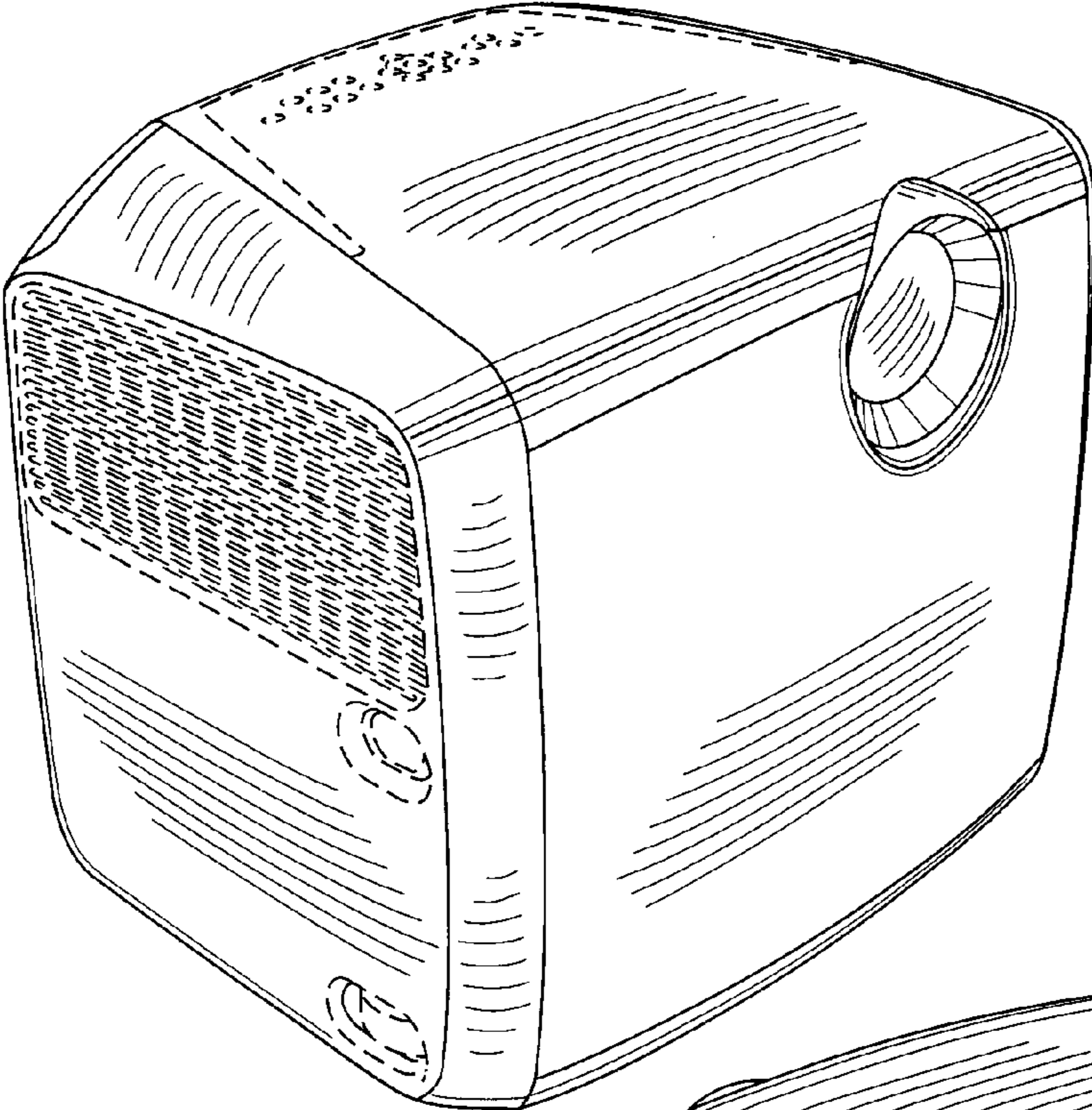


FIG. 1

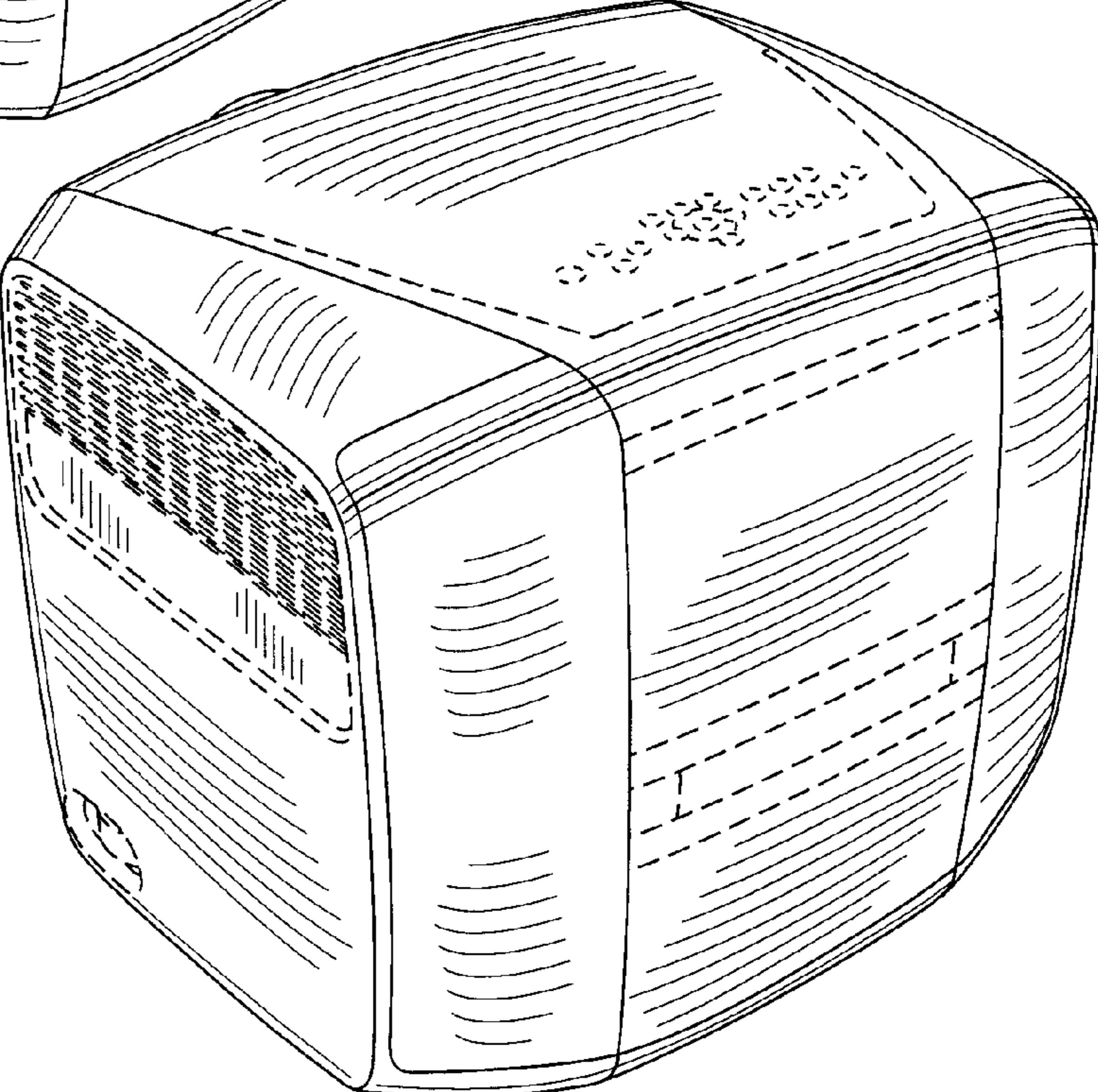


FIG. 2

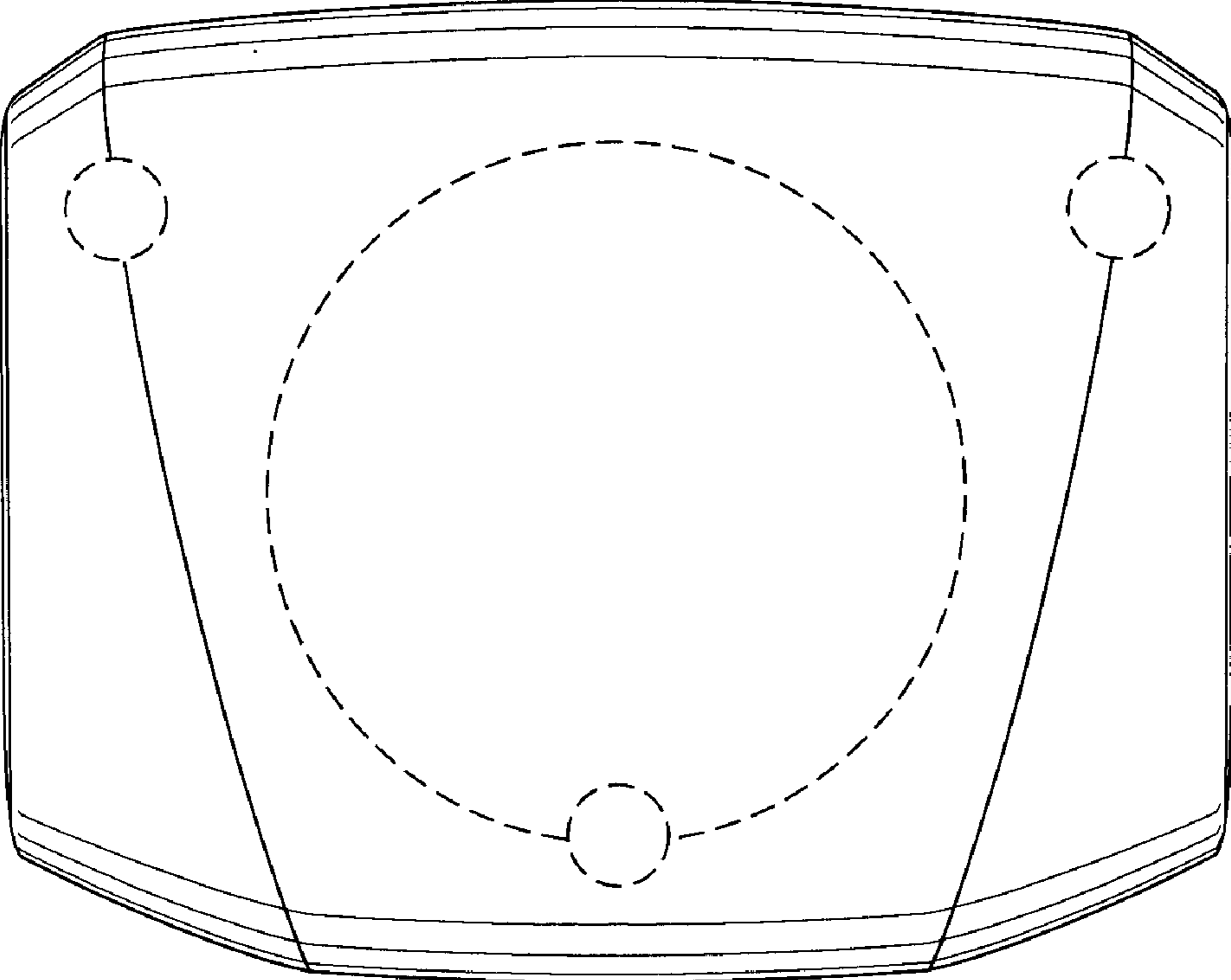


FIG. 3