



US00D513027S

(12) **United States Design Patent**  
**Katayama**

(10) **Patent No.:** **US D513,027 S**

(45) **Date of Patent:** **\*\* Dec. 20, 2005**

(54) **ELECTRONIC CAMERA**

D456,431 S \* 4/2002 Kim ..... D16/202  
D481,051 S \* 10/2003 Isozaki et al. .... D16/202

(75) Inventor: **Noriko Katayama**, Tokyo (JP)

\* cited by examiner

(73) Assignee: **Fuji Photo Film Co., Ltd.**, Kanagawa (JP)

*Primary Examiner*—Adir Aronovich

(74) *Attorney, Agent, or Firm*—Young & Thompson

(\*\*) Term: **14 Years**

(57) **CLAIM**

(21) Appl. No.: **29/209,976**

The ornamental design for an electronic camera, as shown and described.

(22) Filed: **Jul. 26, 2004**

**DESCRIPTION**

(30) **Foreign Application Priority Data**

Jan. 29, 2004 (JP) ..... 2004-002146

(51) **LOC (6) Cl.** ..... **16-01**

(52) **U.S. Cl.** ..... **D16/202; D16/206**

(58) **Field of Search** ..... D16/200–206,  
D16/208, 218; 348/373–376; 358/909.1;  
396/176, 177, 535–541

FIG. 1 is a top, front and side perspective view of an electronic camera showing my new design;  
FIG. 2 is a front elevational view thereof;  
FIG. 3 is a rear elevational view thereof;  
FIG. 4 is a top plan view thereof;  
FIG. 5 is a bottom plan view thereof;  
FIG. 6 is a side elevational view thereof from the left of FIG. 2;  
FIG. 7 is a side elevational view thereof from the right of FIG. 2;  
FIG. 8 is a view thereof similar to FIG. 1 but with the parts in a different position; and,  
FIG. 9 is a view thereof similar to FIG. 1 but with the parts in another different position.

(56) **References Cited**

**U.S. PATENT DOCUMENTS**

5,721,984 A \* 2/1998 Kaneko et al. .... 396/177  
D407,098 S \* 3/1999 Goto et al. .... D16/202  
D418,851 S \* 1/2000 Goto et al. .... D16/202  
D431,583 S \* 10/2000 Matsuda ..... D16/202

**1 Claim, 5 Drawing Sheets**

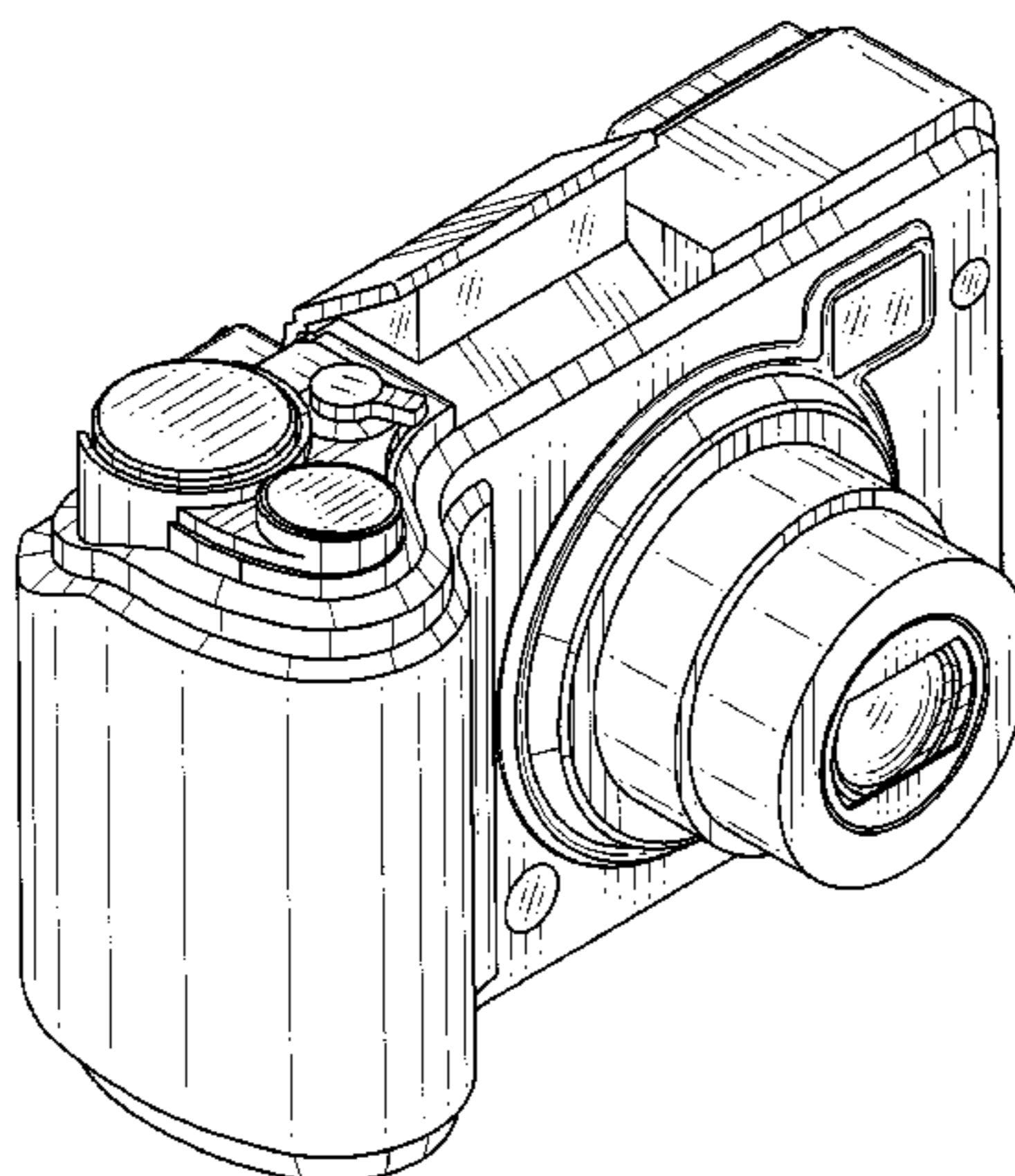
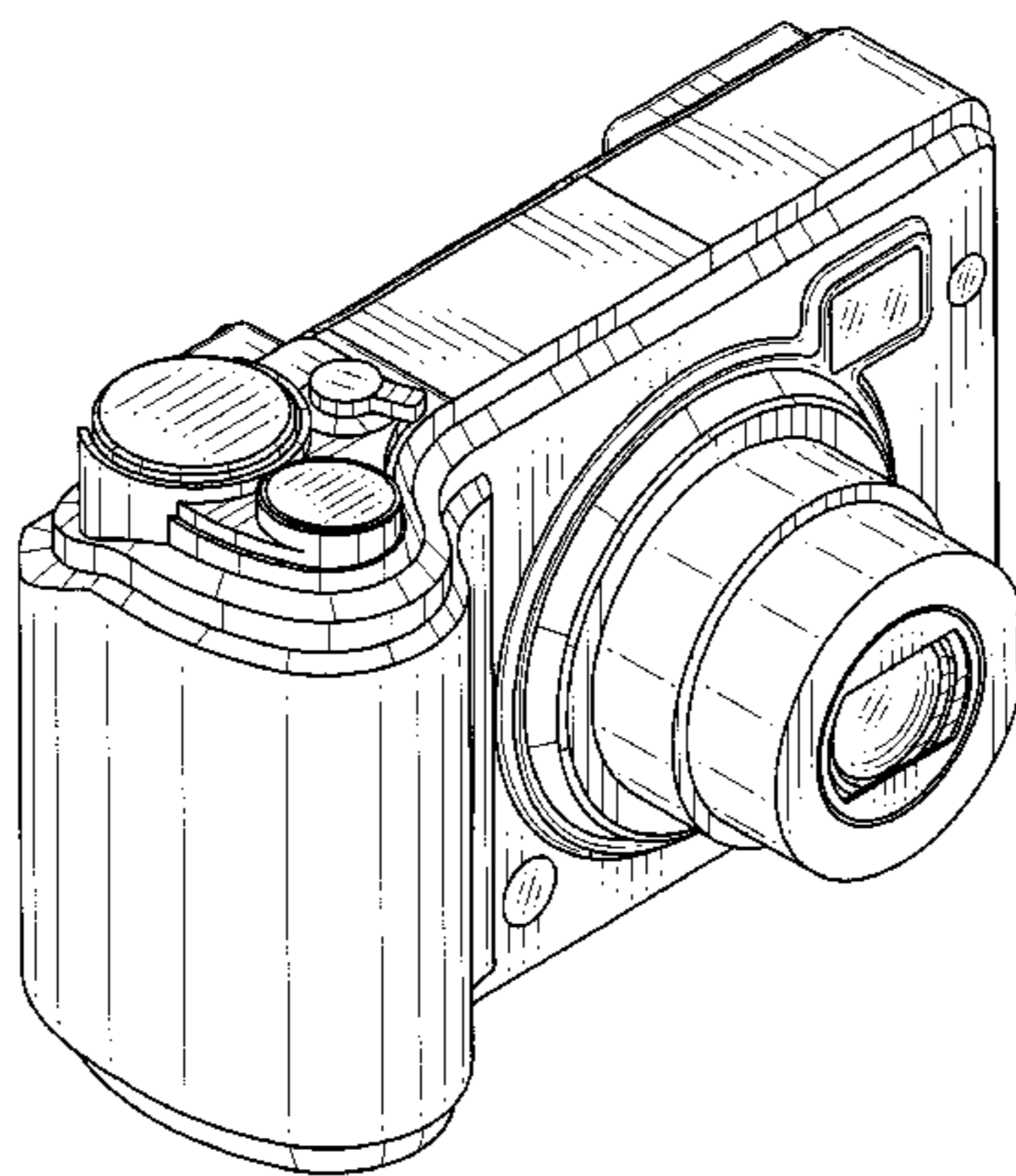


FIG. 1

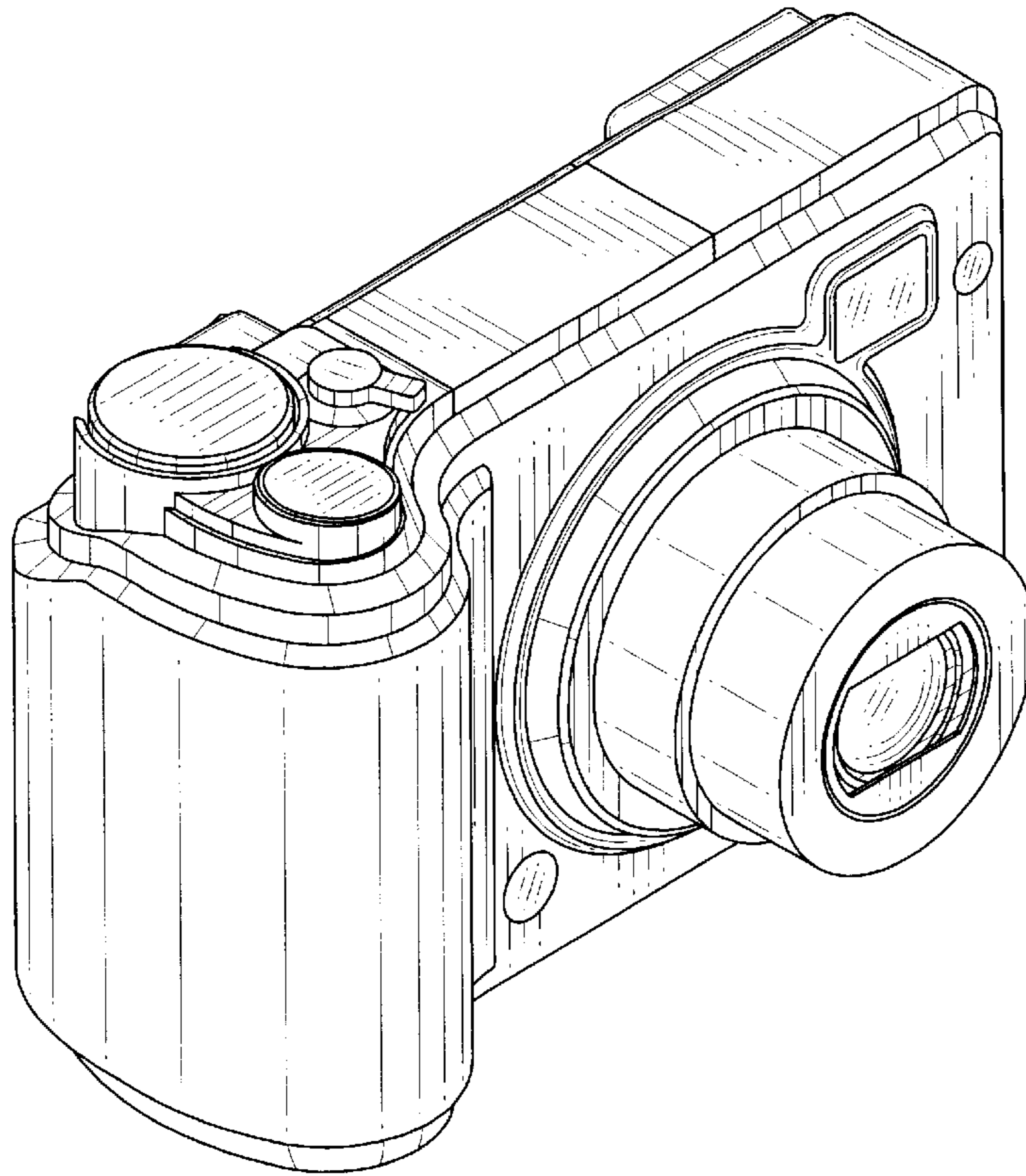


FIG. 2

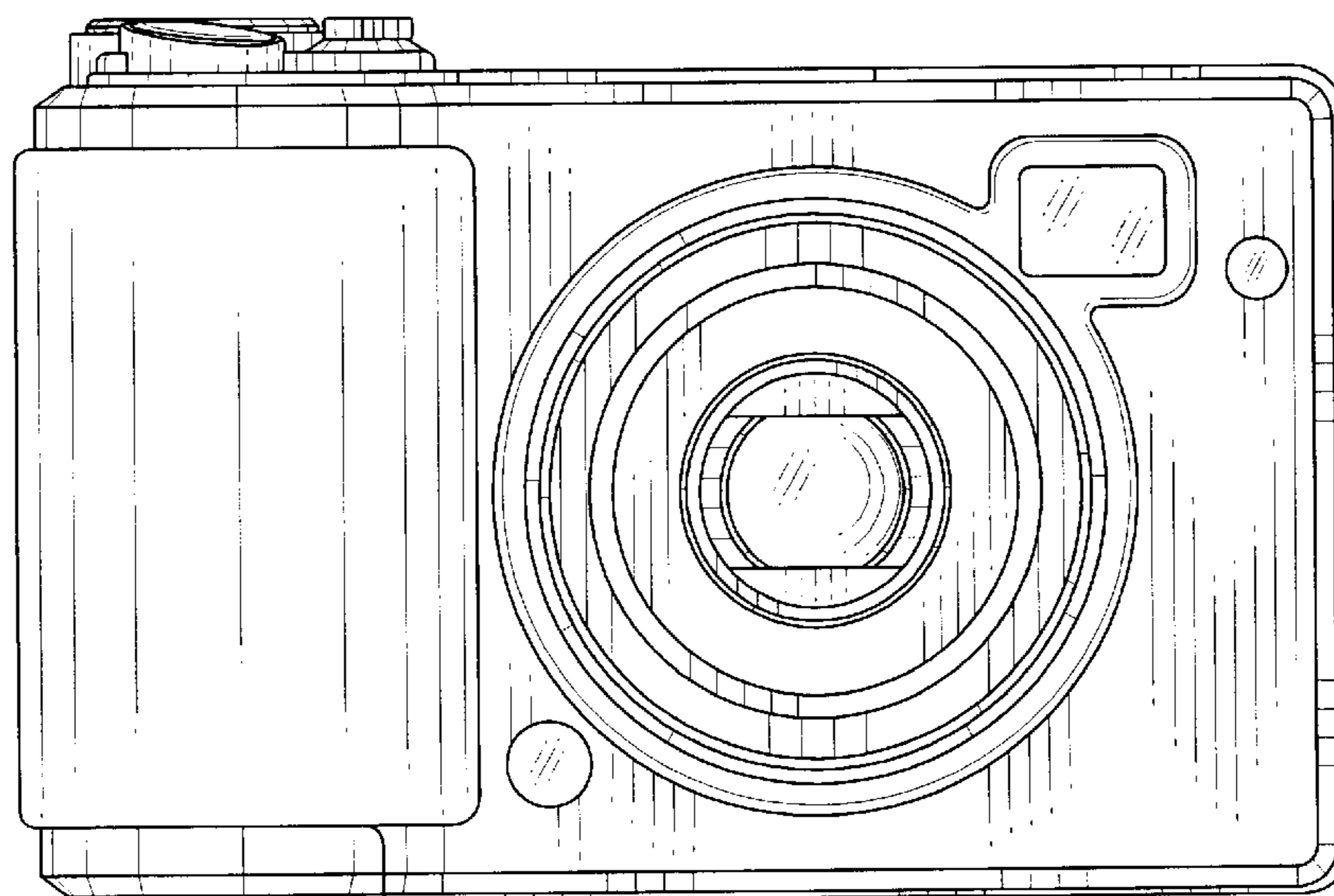


FIG.3

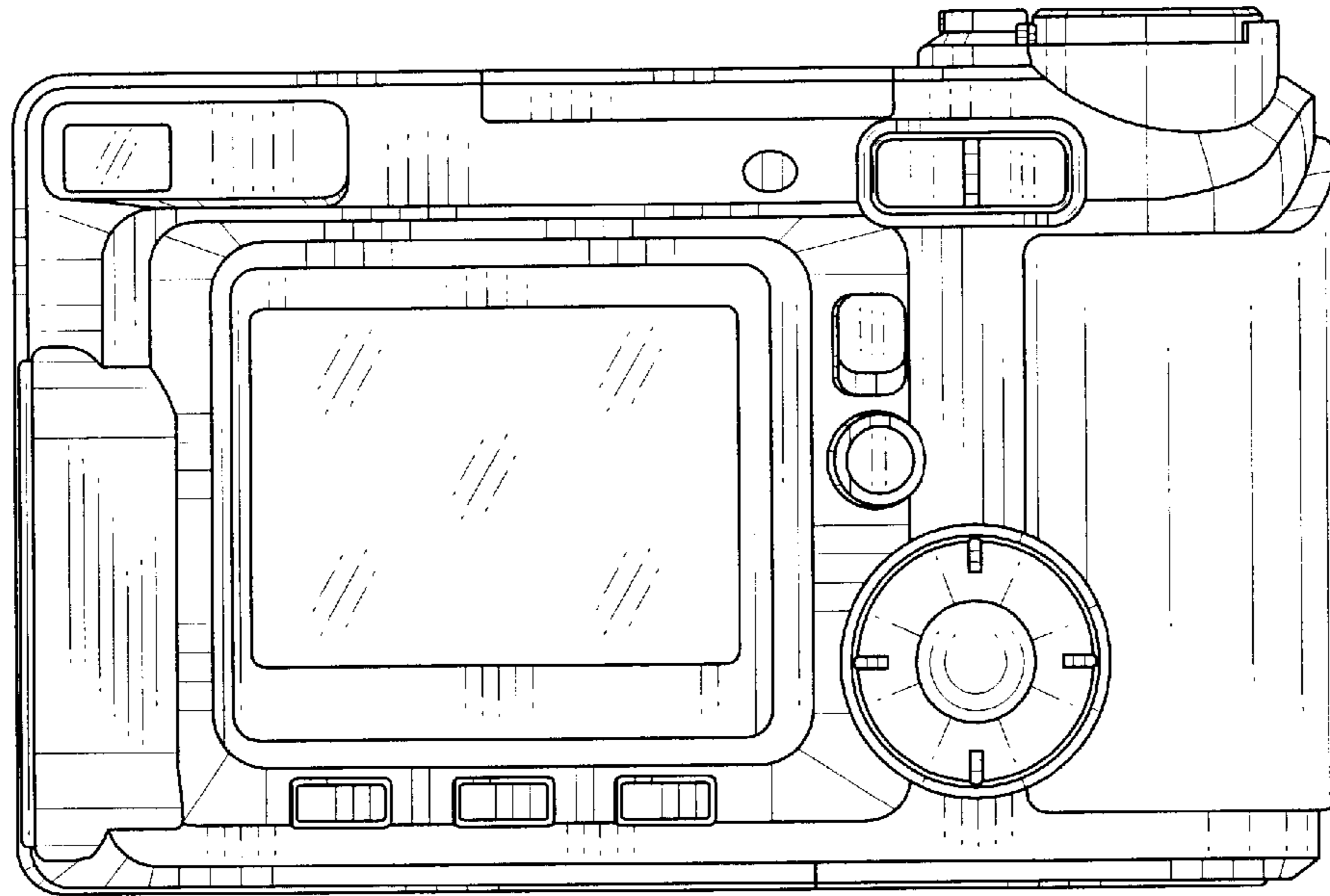


FIG.4

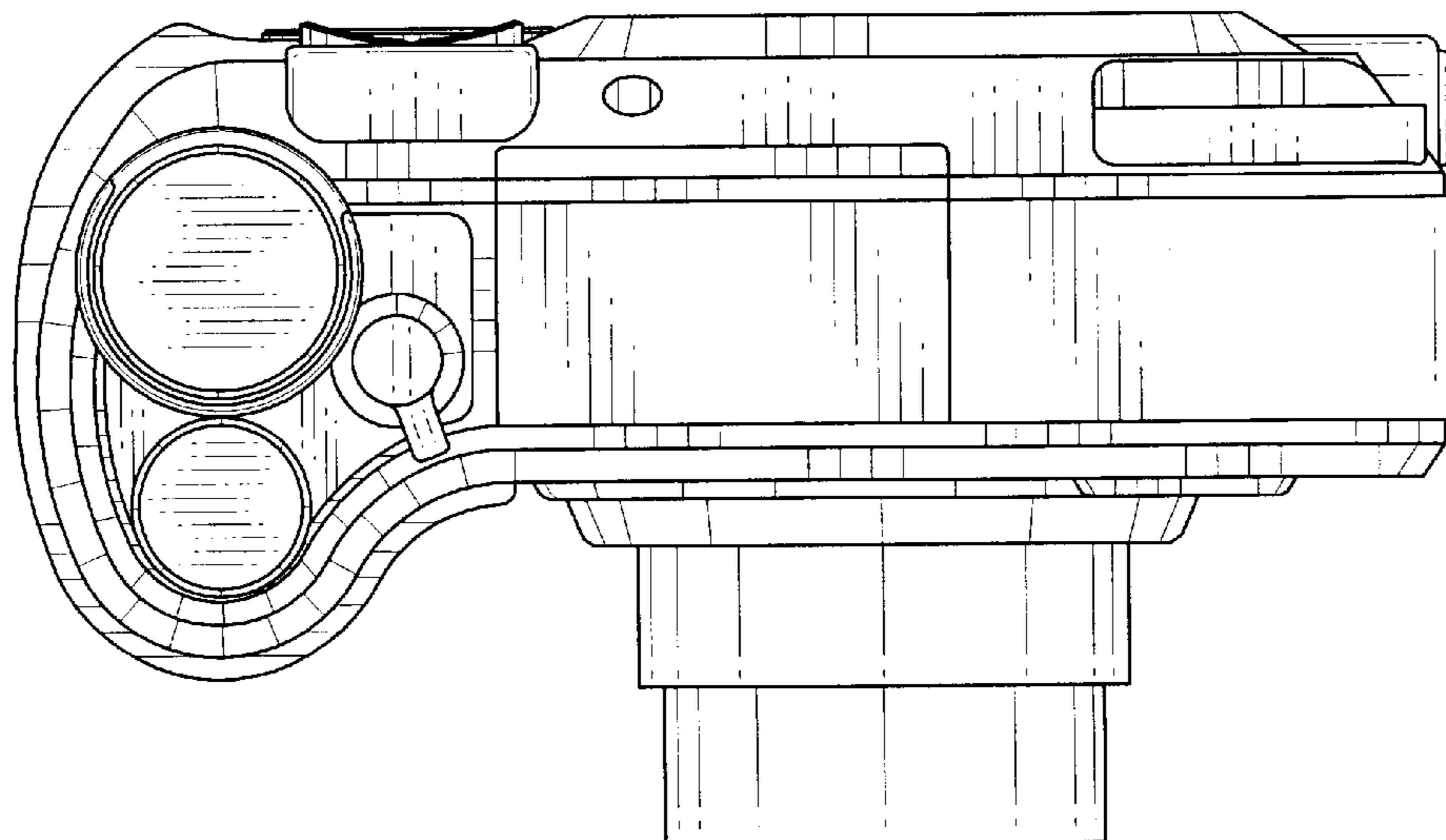


FIG.5

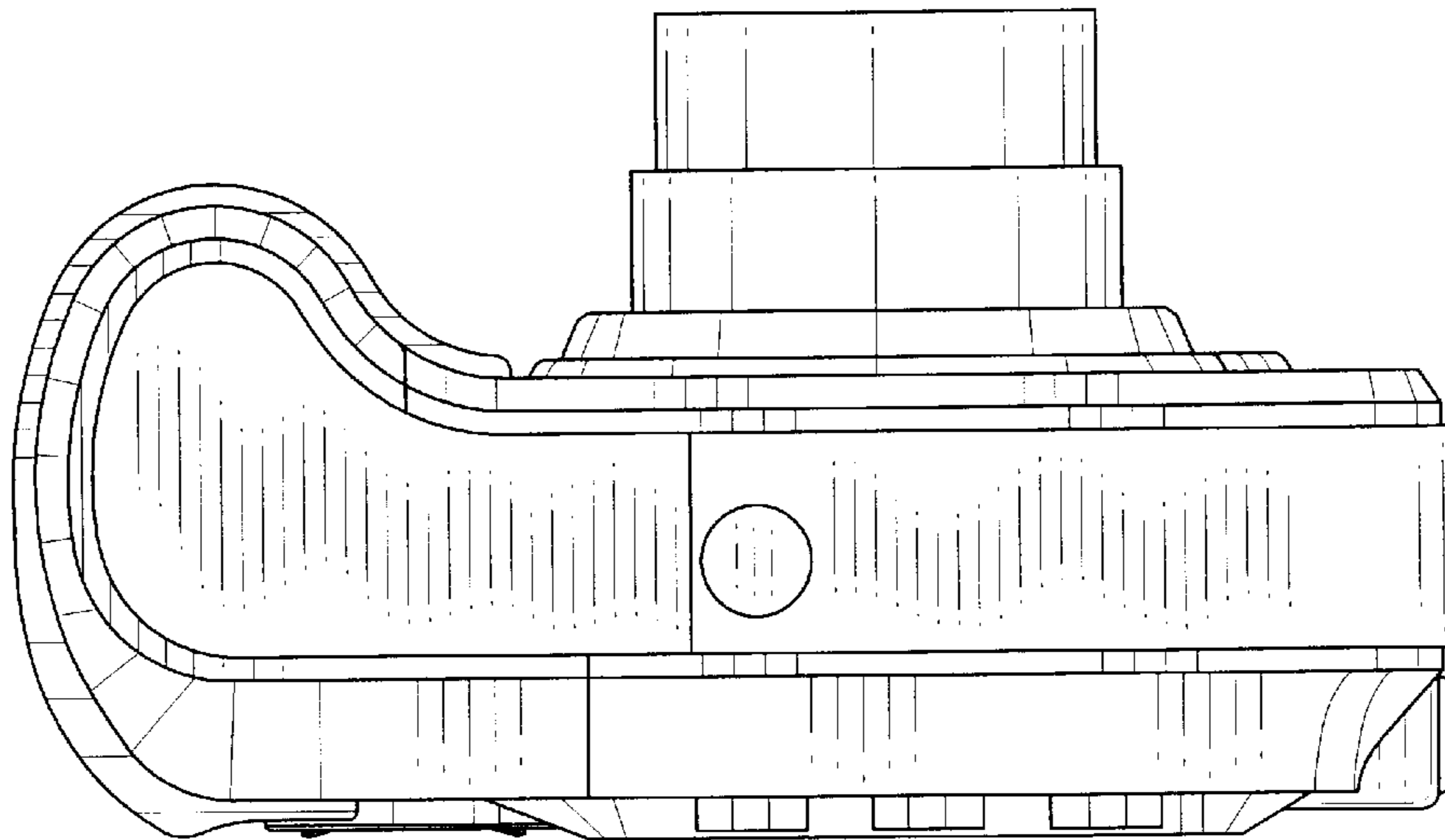


FIG.6

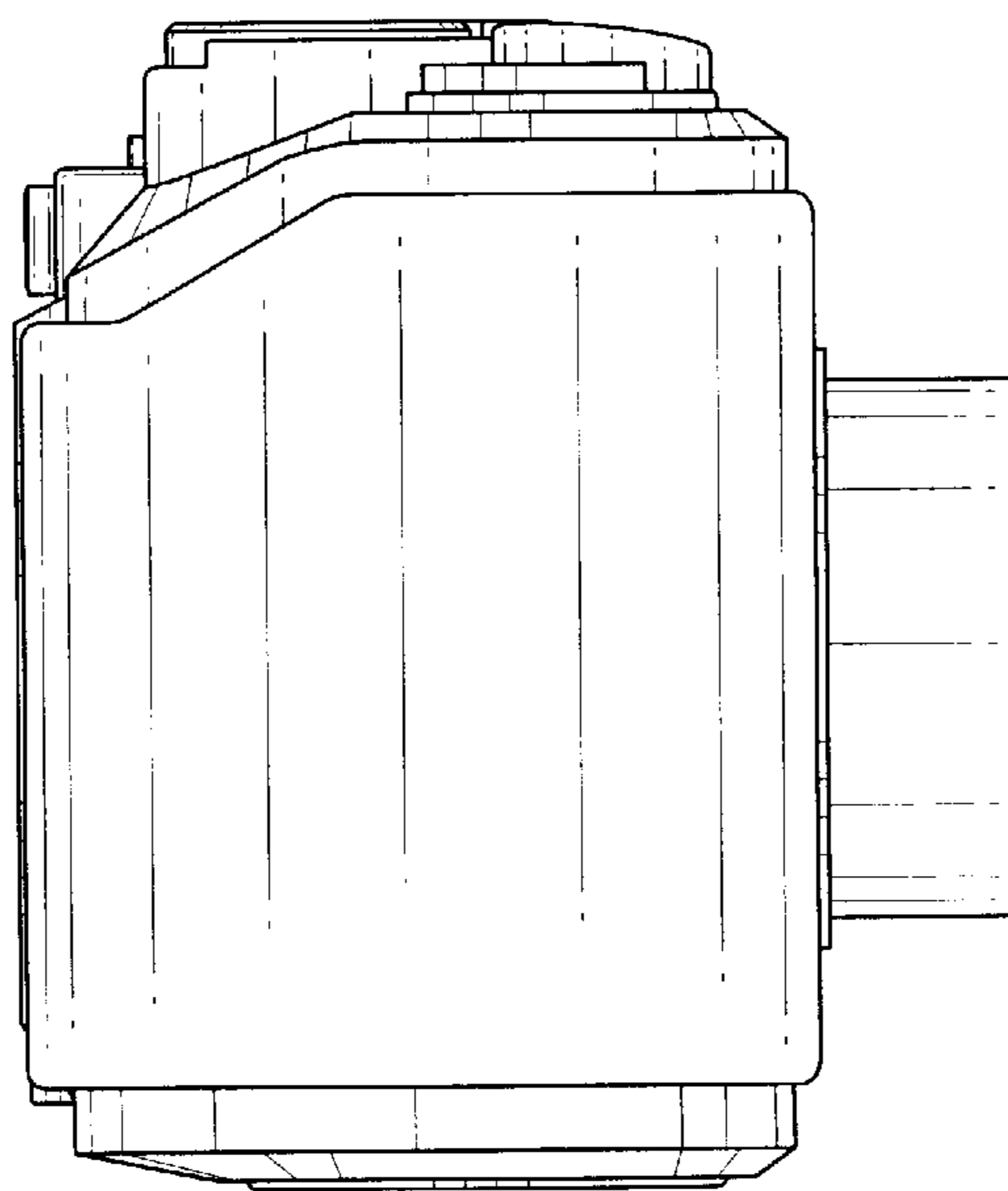




FIG. 7

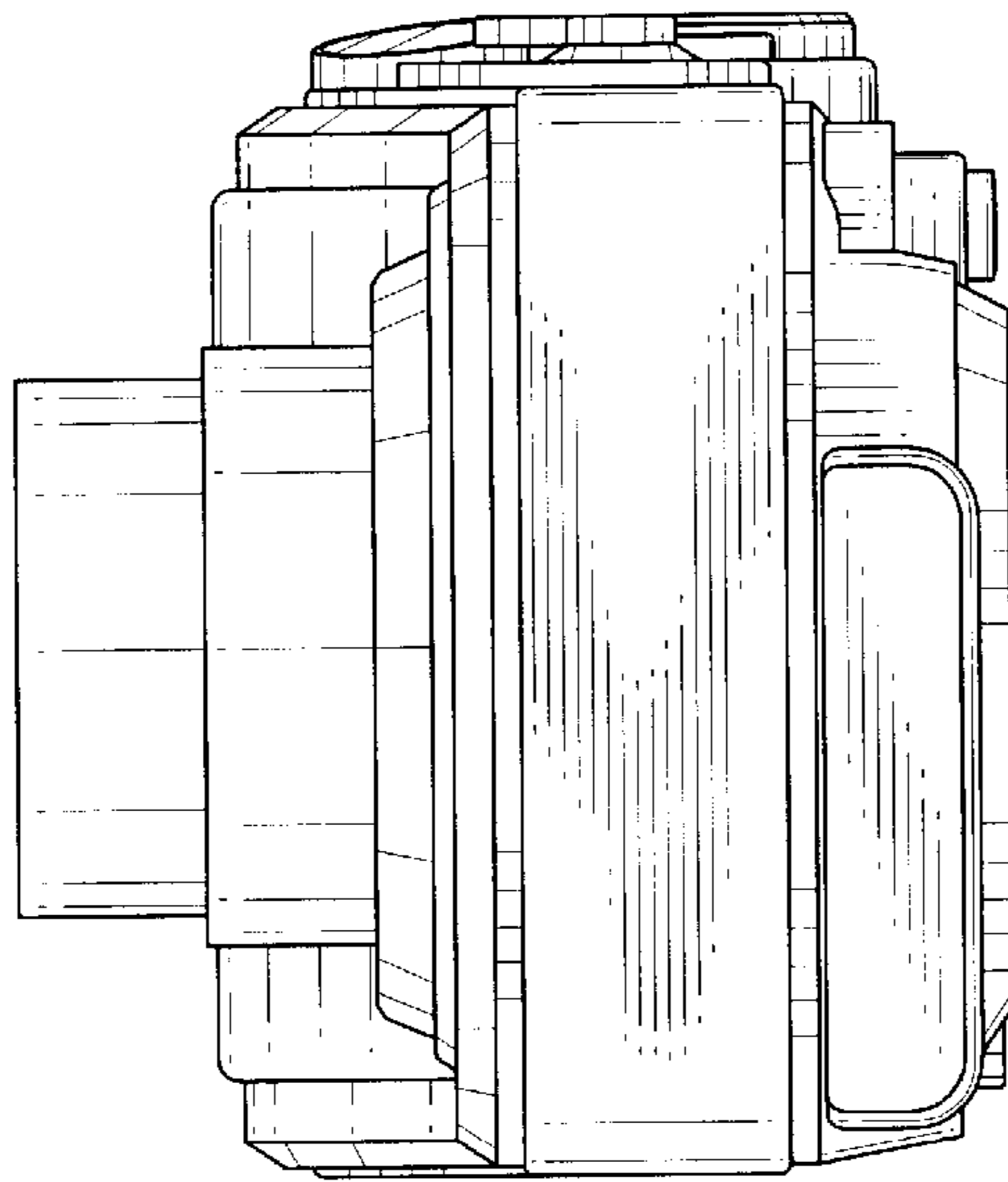


FIG. 8

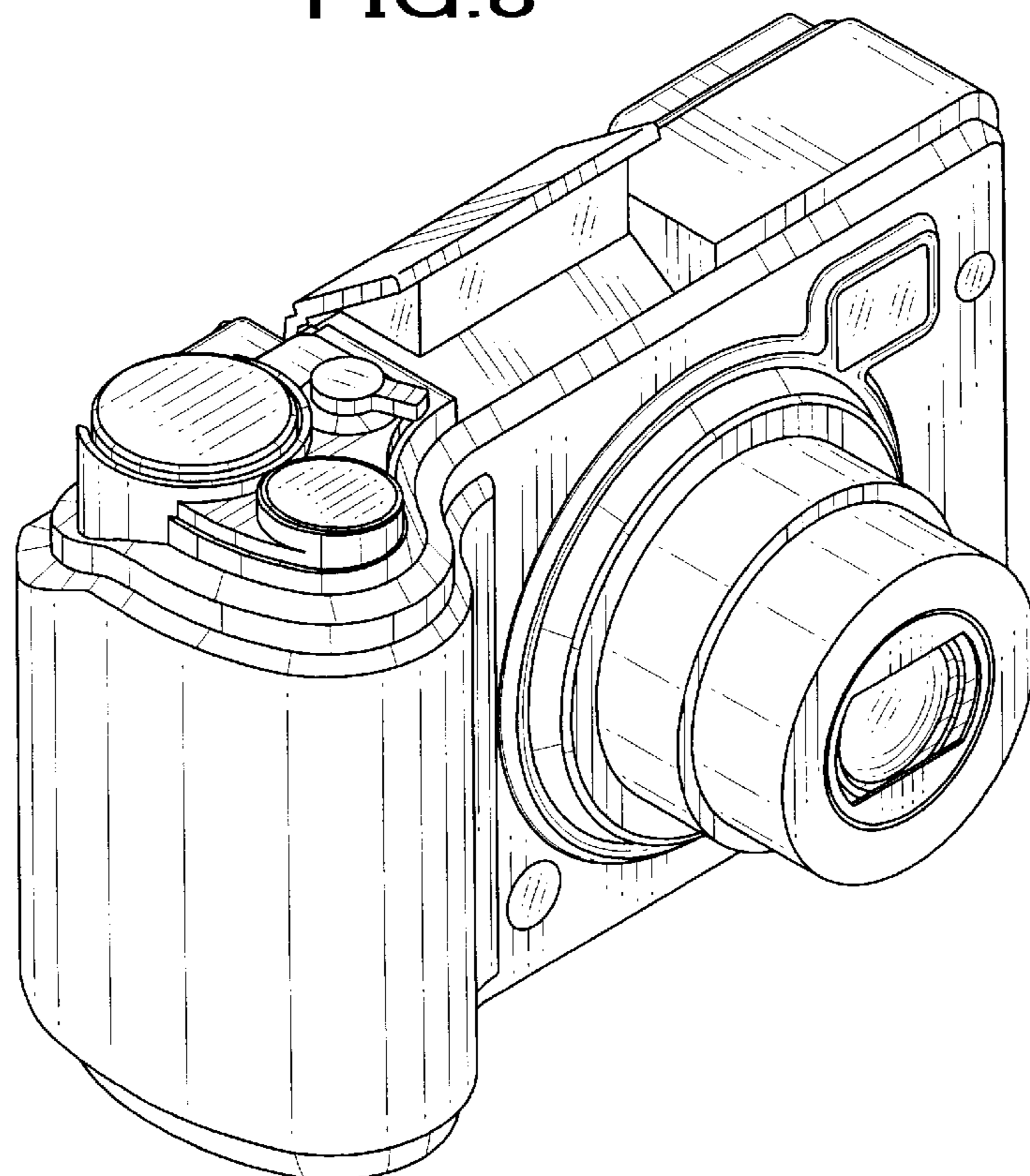


FIG. 9

