



US00D513024S

(12) **United States Design Patent**
Christianson

(10) **Patent No.:** **US D513,024 S**

(45) **Date of Patent:** **** Dec. 20, 2005**

(54) **WATCH WINDER CASE**

6,543,929 B1 * 4/2003 Agnoff 368/206

(75) **Inventor:** **Tristan M. Christianson**, San Francisco, CA (US)

* cited by examiner

Primary Examiner—Antoine D. Davis

(73) **Assignee:** **Sharper Image Corporation**, San Francisco, CA (US)

(74) *Attorney, Agent, or Firm*—Bell, Boyd & Lloyd LLC

(**) **Term:** **14 Years**

(57) **CLAIM**

The ornamental design for a watch winder case, as shown and described.

(21) **Appl. No.:** **29/216,903**

DESCRIPTION

(22) **Filed:** **Nov. 10, 2004**

FIG. 1 is a front perspective view of a watch winder case showing my new design;

(51) **LOC (6) Cl.** **15-99**

FIG. 2 is a rear perspective view thereof;

(52) **U.S. Cl.** **D15/199**

FIG. 3 is a front view thereof;

(58) **Field of Search** D15/199; 368/10, 368/49-50, 206-213, 216, 327; 81/7.5

FIG. 4 is a rear view thereof;

FIG. 5 is a right side view thereof, a left side view being a mirror image;

(56) **References Cited**

FIG. 6 is a top view thereof; and,

FIG. 7 is a bottom view thereof.

U.S. PATENT DOCUMENTS

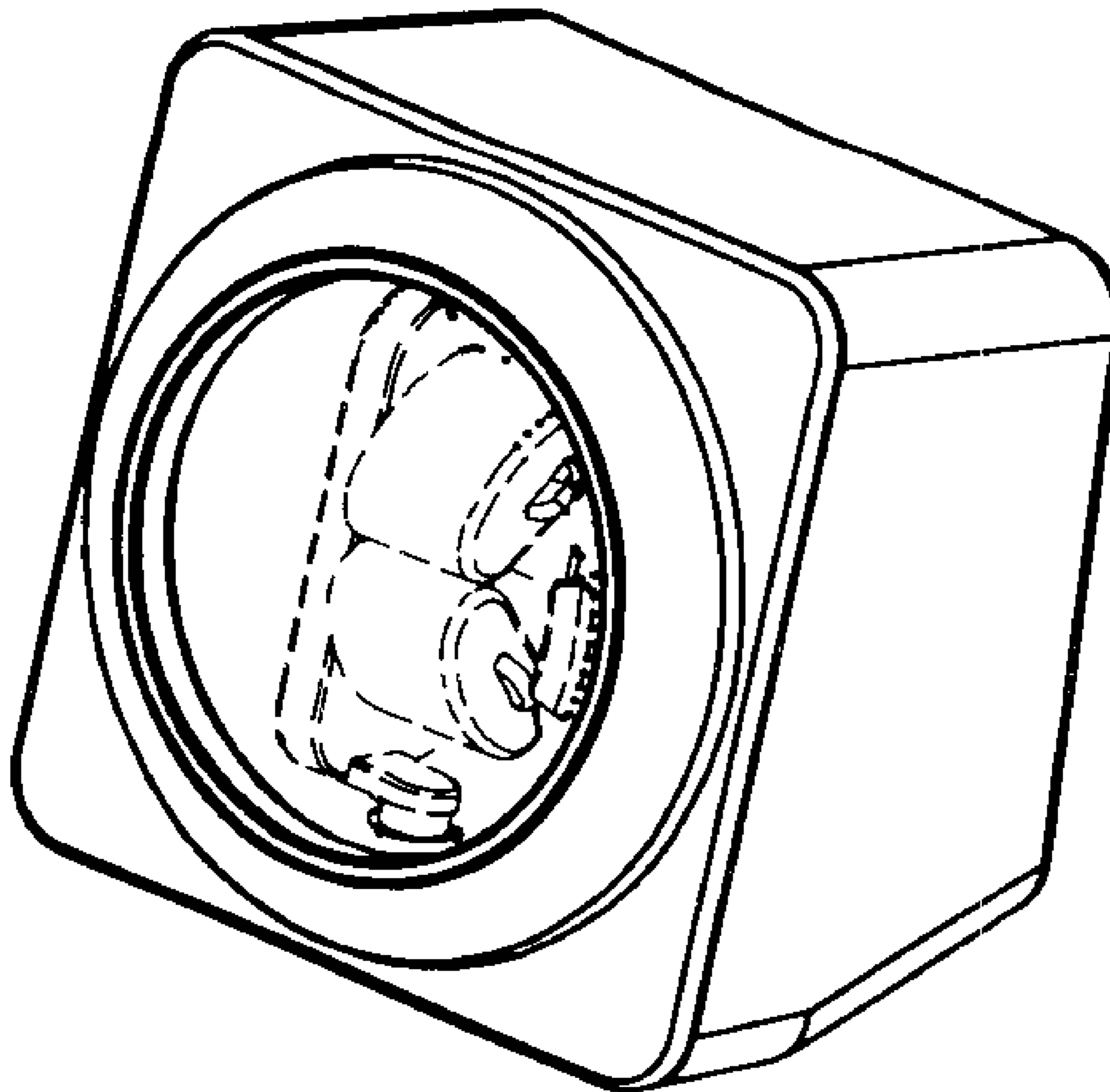
The portions shown in broken lines in FIGS. 1-7 are for illustrative purposes only and form no part of the claimed design.

D440,583 S * 4/2001 Greene, Jr. D15/199

6,254,270 B1 * 7/2001 Agnoff 368/206

6,439,761 B1 * 8/2002 Agnoff 368/206

1 Claim, 3 Drawing Sheets



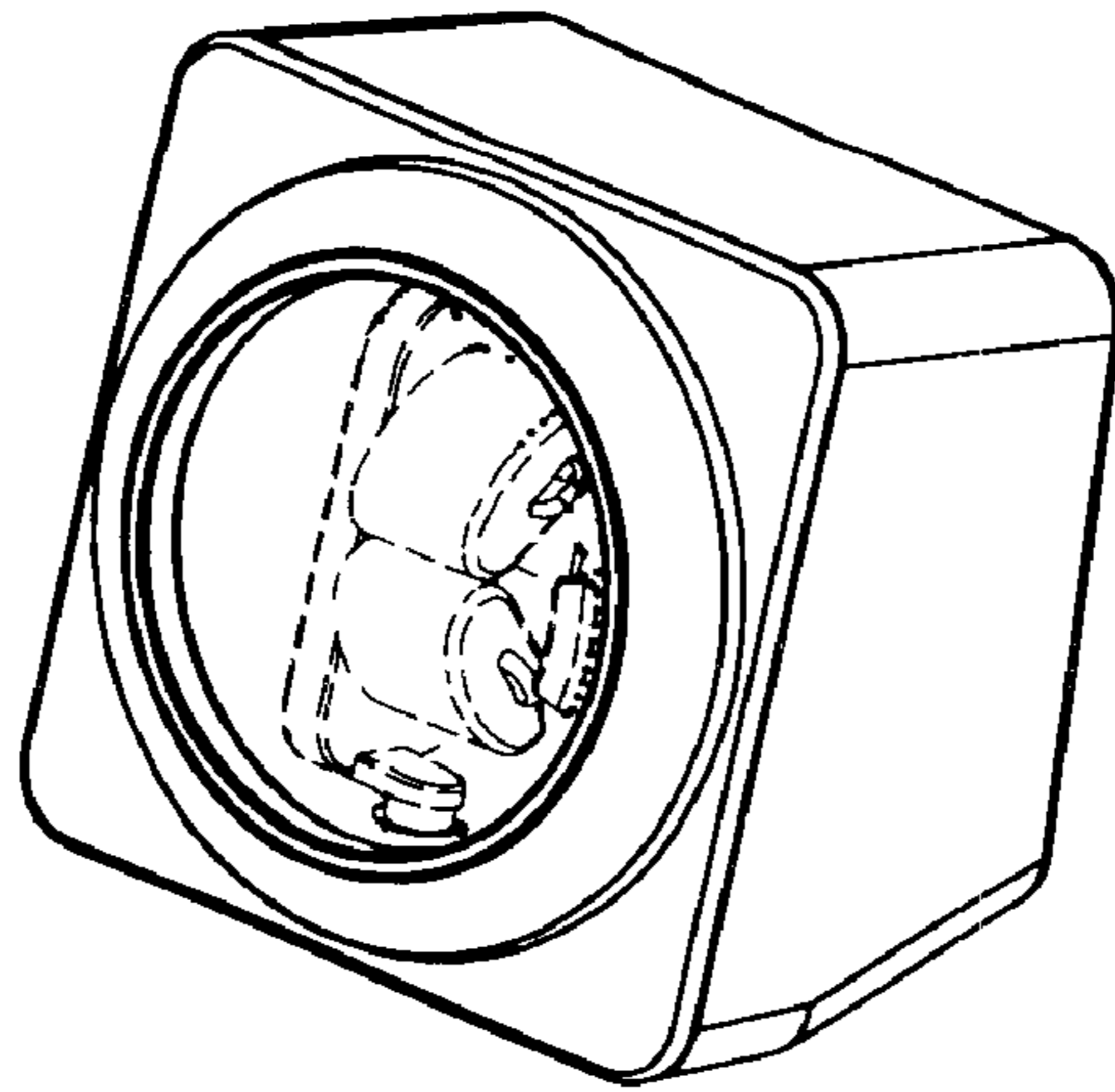


FIG. 1

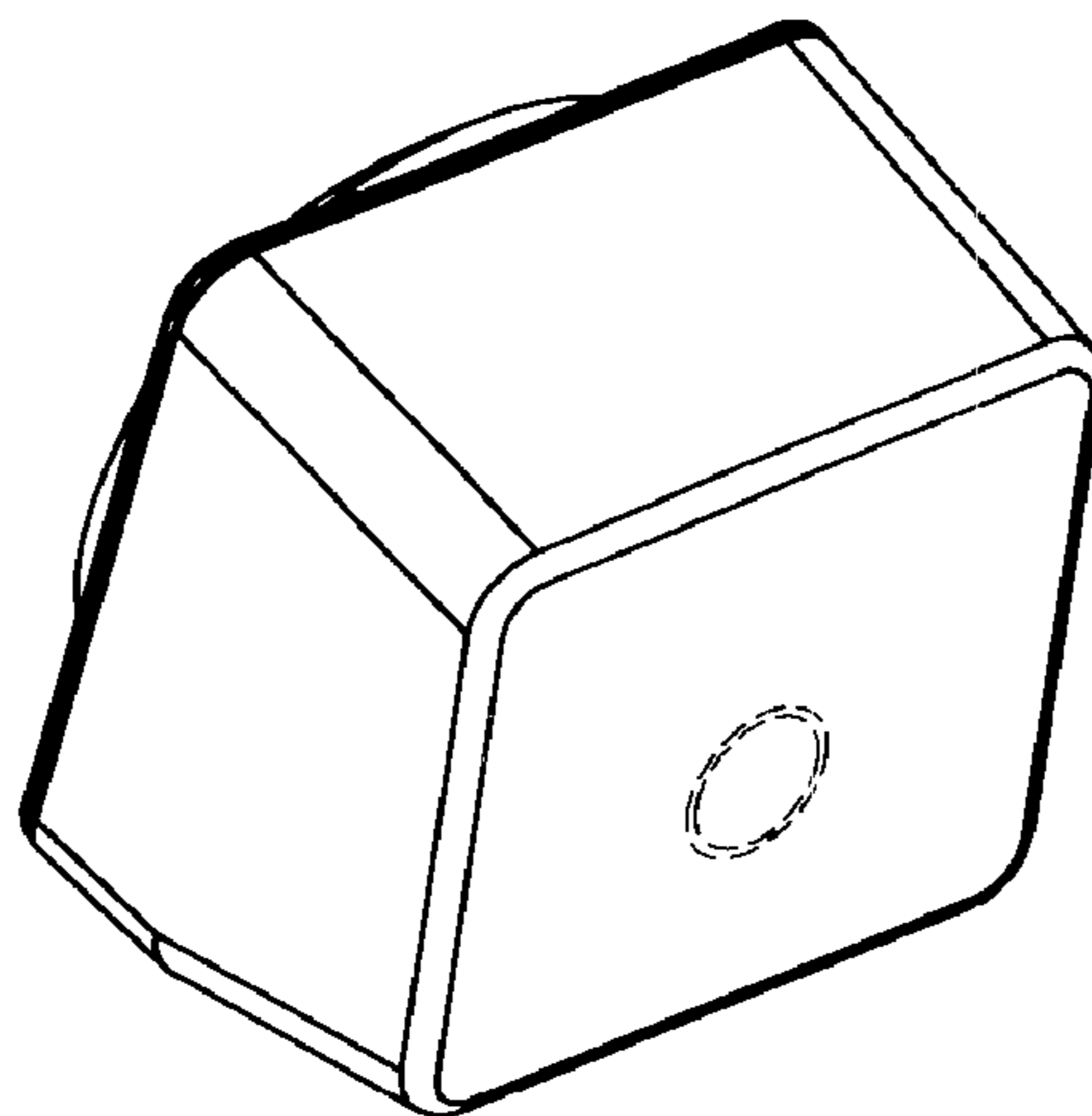


FIG. 2

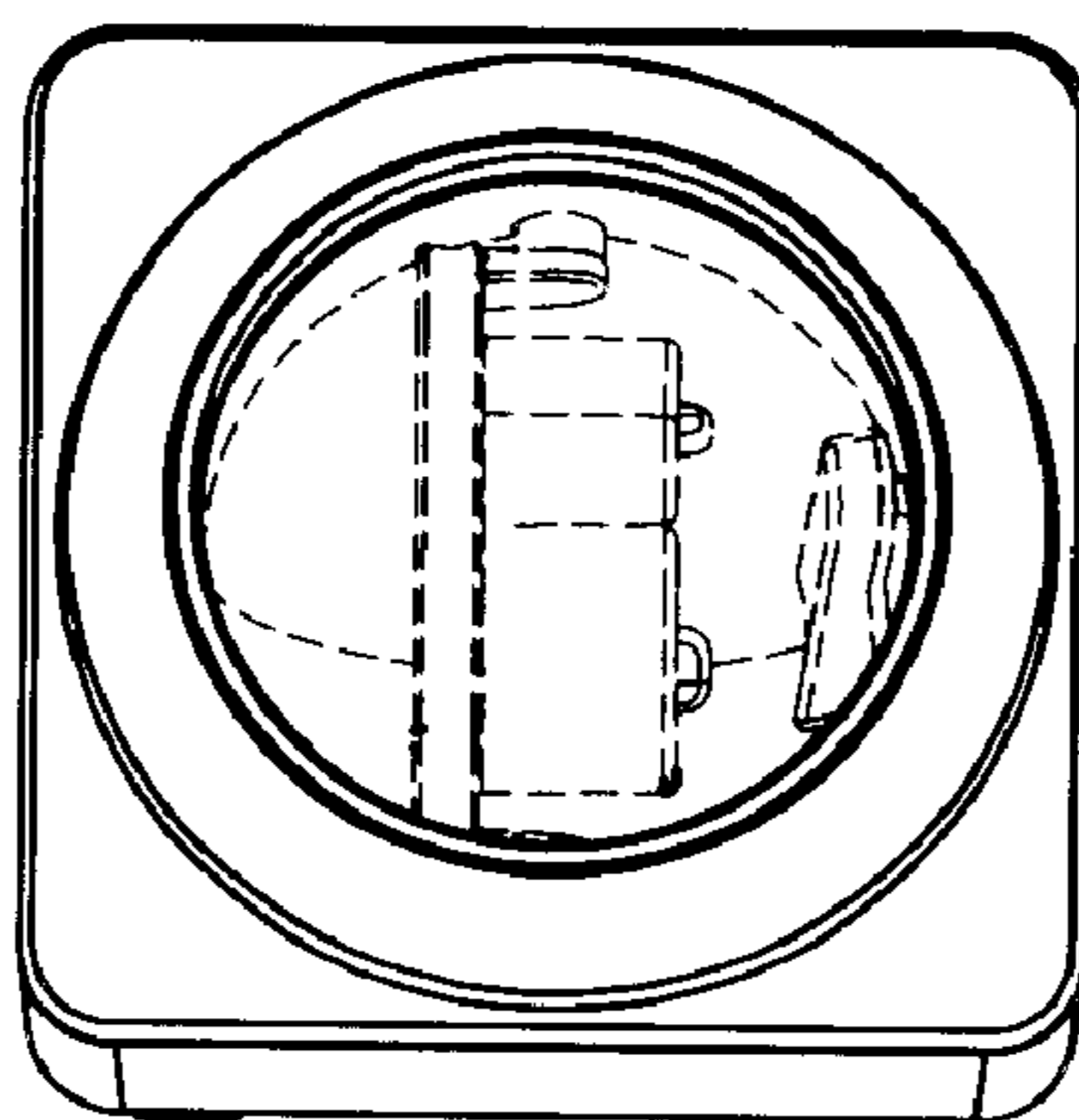


FIG. 3

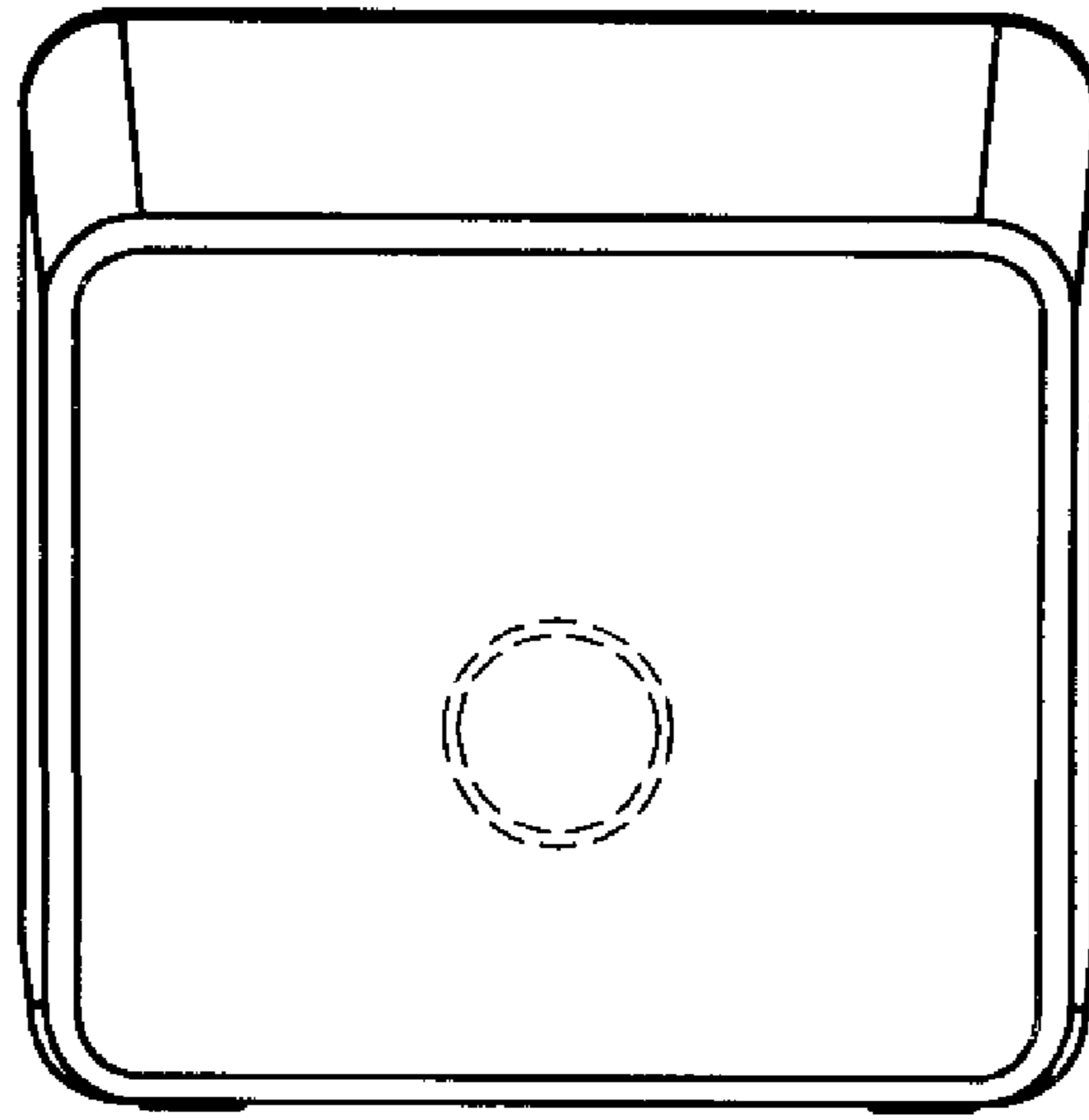


FIG. 4

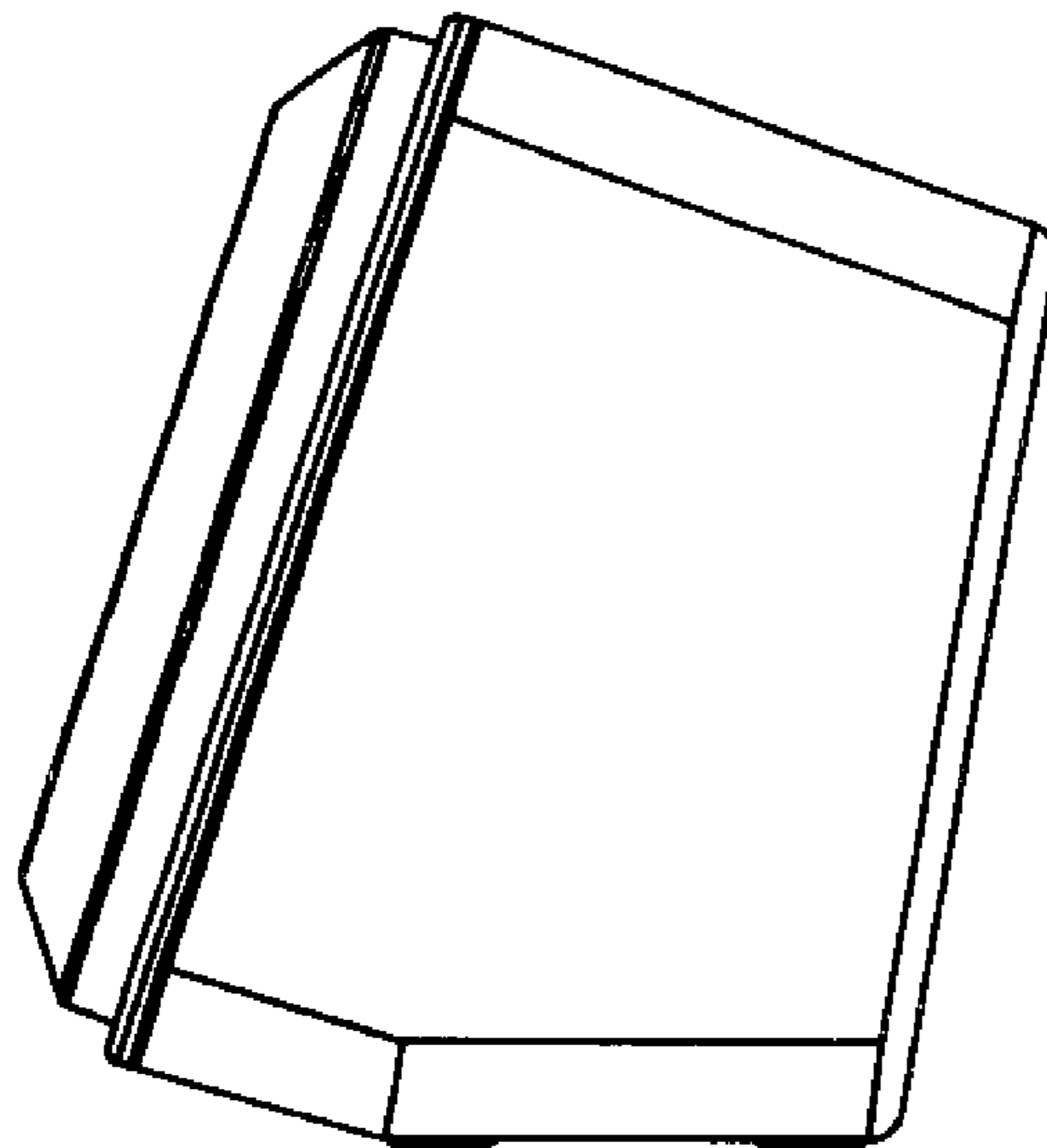


FIG. 5

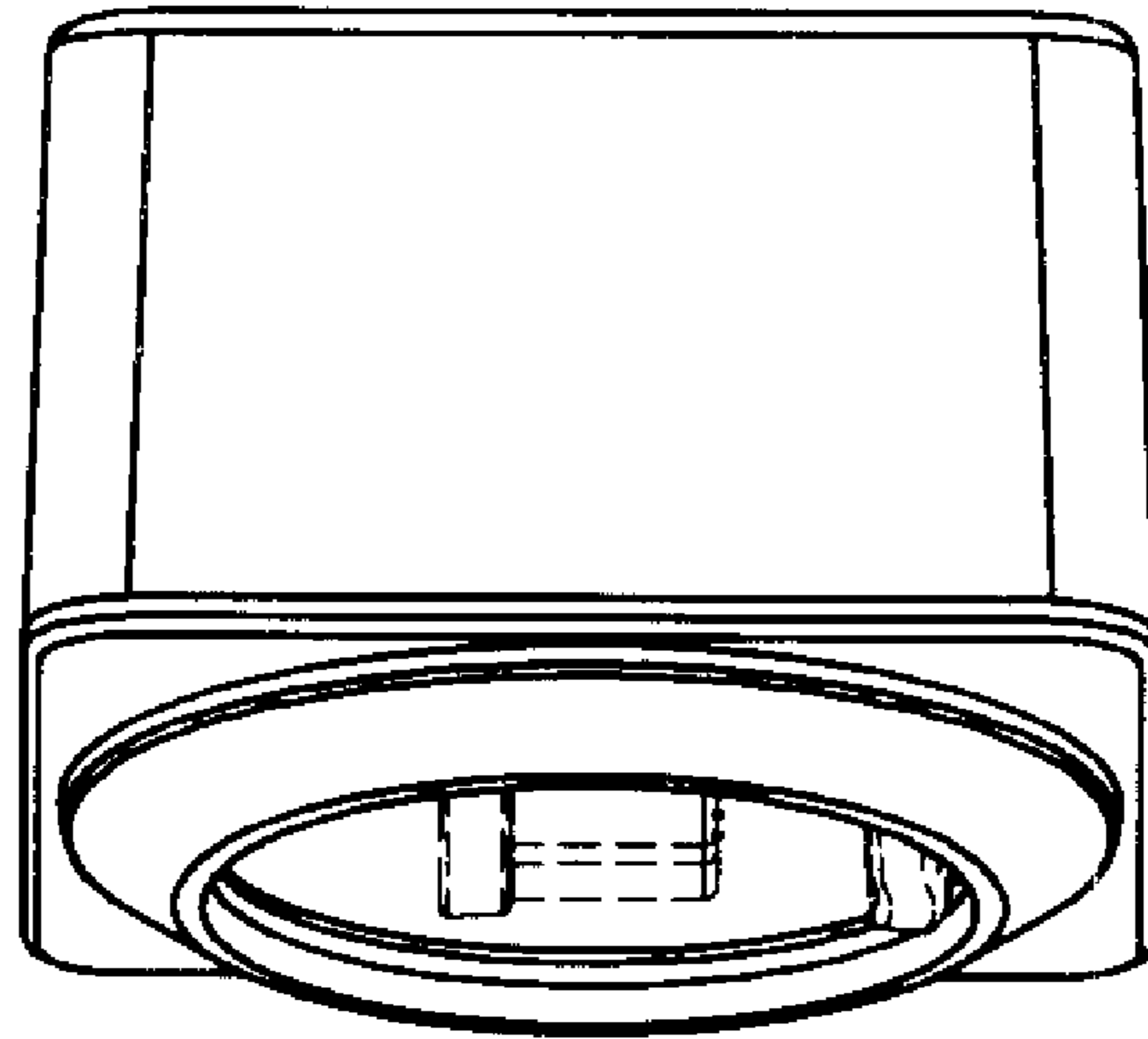


FIG. 6

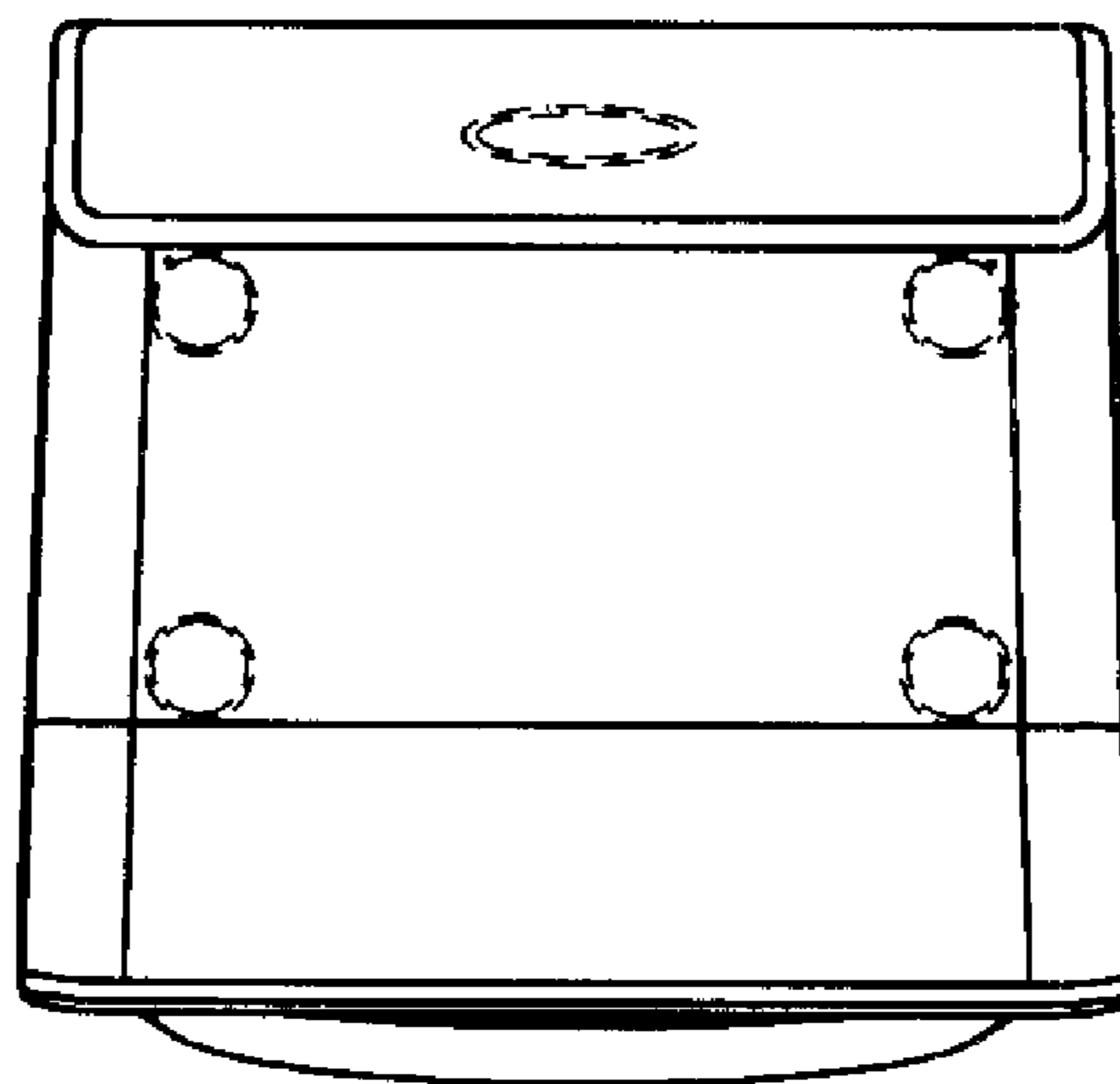


FIG. 7