



US00D513023S

(12) **United States Design Patent** (10) **Patent No.:** **US D513,023 S**
Loewenthal (45) **Date of Patent:** **** Dec. 20, 2005**

(54) **GEARBOX HOUSING**

(75) Inventor: **Howard Loewenthal**, Hinckley, OH (US)

(73) Assignee: **Invacare Corporation**, Elyria, OH (US)

(**) Term: **14 Years**

(21) Appl. No.: **29/225,169**

(22) Filed: **Mar. 11, 2005**

Related U.S. Application Data

(62) Division of application No. 29/192,674, filed on Oct. 27, 2003, now Pat. No. Des. 504,450.

(51) **LOC (6) Cl.** **15-09**

(52) **U.S. Cl.** **D15/148**

(58) **Field of Search** D15/148-149;
5/11, 509.1, 616, 634, 658-660; 254/6 R,
7 C, 7 R, 92, 95, 100, 102, 105, 113, 119,
134

(56) **References Cited**

U.S. PATENT DOCUMENTS

2,522,759	A	9/1950	Lindquist	
3,633,225	A *	1/1972	Burst et al.	5/616
5,257,428	A	11/1993	Carroll et al.	
6,000,077	A	12/1999	Cyr	
6,058,532	A *	5/2000	Allen	5/509.1
6,516,479	B1	2/2003	Barbour	

OTHER PUBLICATIONS

PCT Appl. No. PCT/US2004/018737 International Search Report completed Nov. 17, 2004.
Owner's Operator and Maintenance Manual; IVC Bed Series; Full Electric Beds; Semi-Electric Beds; Manual Beds; Part No. 1114836 Rev C; Invacare Corporation.

Invacare Home Care Beds and Bed-Related Products Manual, p. 1-2.

* cited by examiner

Primary Examiner—Antoine D. Davis

(74) *Attorney, Agent, or Firm*—Calfee, Halter & Griswold LLP

(57) **CLAIM**

The ornamental design for a gearbox housing, as shown and described.

DESCRIPTION

FIG. 1 is a perspective view of a third embodiment of the gearbox housing of the new design;

FIG. 2 is an enlarged perspective view of the gearbox housing of FIG. 17;

FIG. 3 is a front view of the gearbox housing of FIG. 17;

FIG. 4 is a back view of the gearbox housing of FIG. 17;

FIG. 5 is a top view of the gearbox housing of FIG. 17;

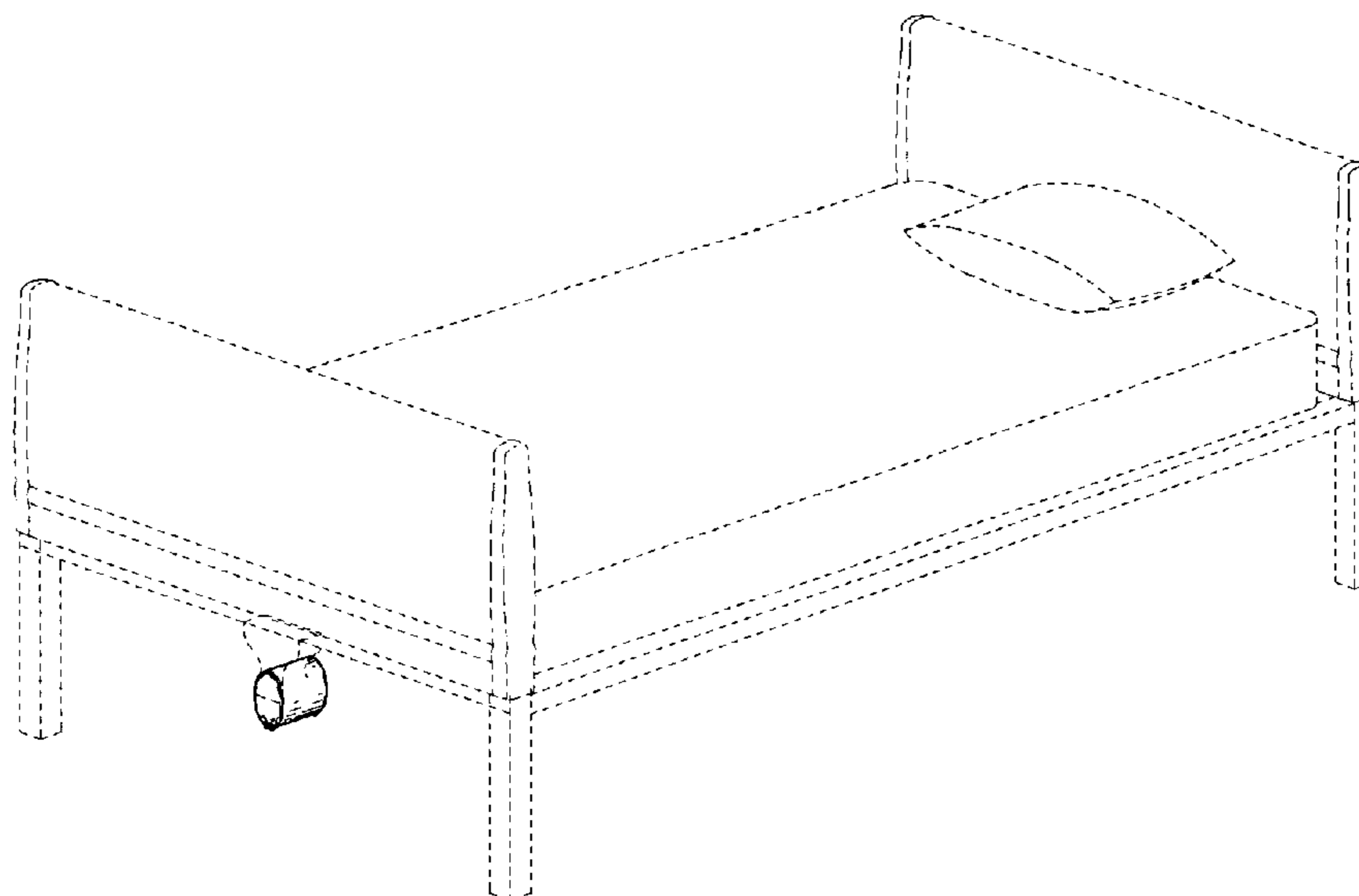
FIG. 6 is a bottom view of the gearbox housing of FIG. 17;

FIG. 7 is a left side view of the gearbox housing of FIG. 17; and,

FIG. 8 is a right side view of the gearbox housing of FIG. 17.

The portions of the Figures shown in phantom lines are not part of the claimed design but are for illustration only.

1 Claim, 2 Drawing Sheets



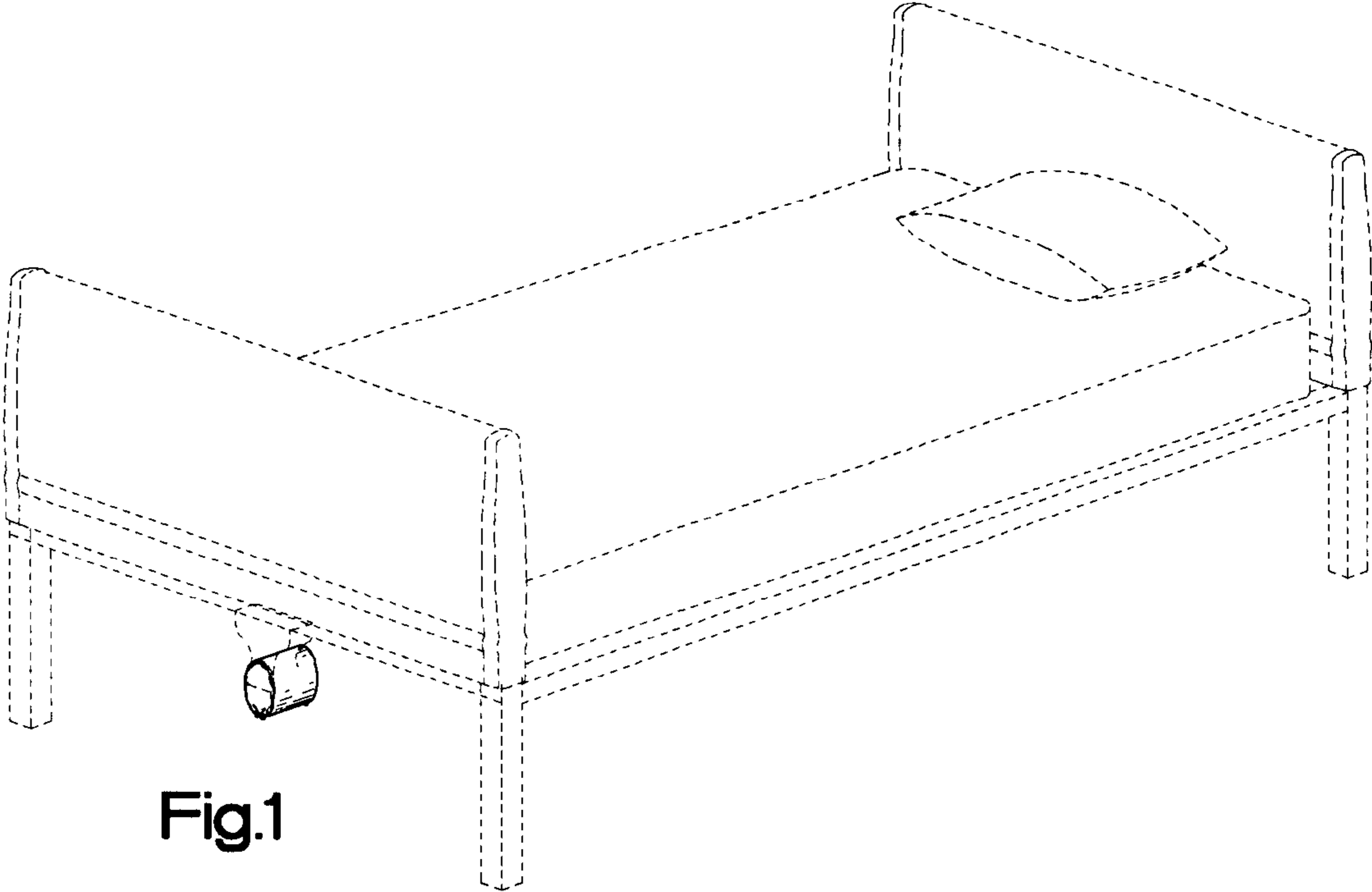


Fig.1

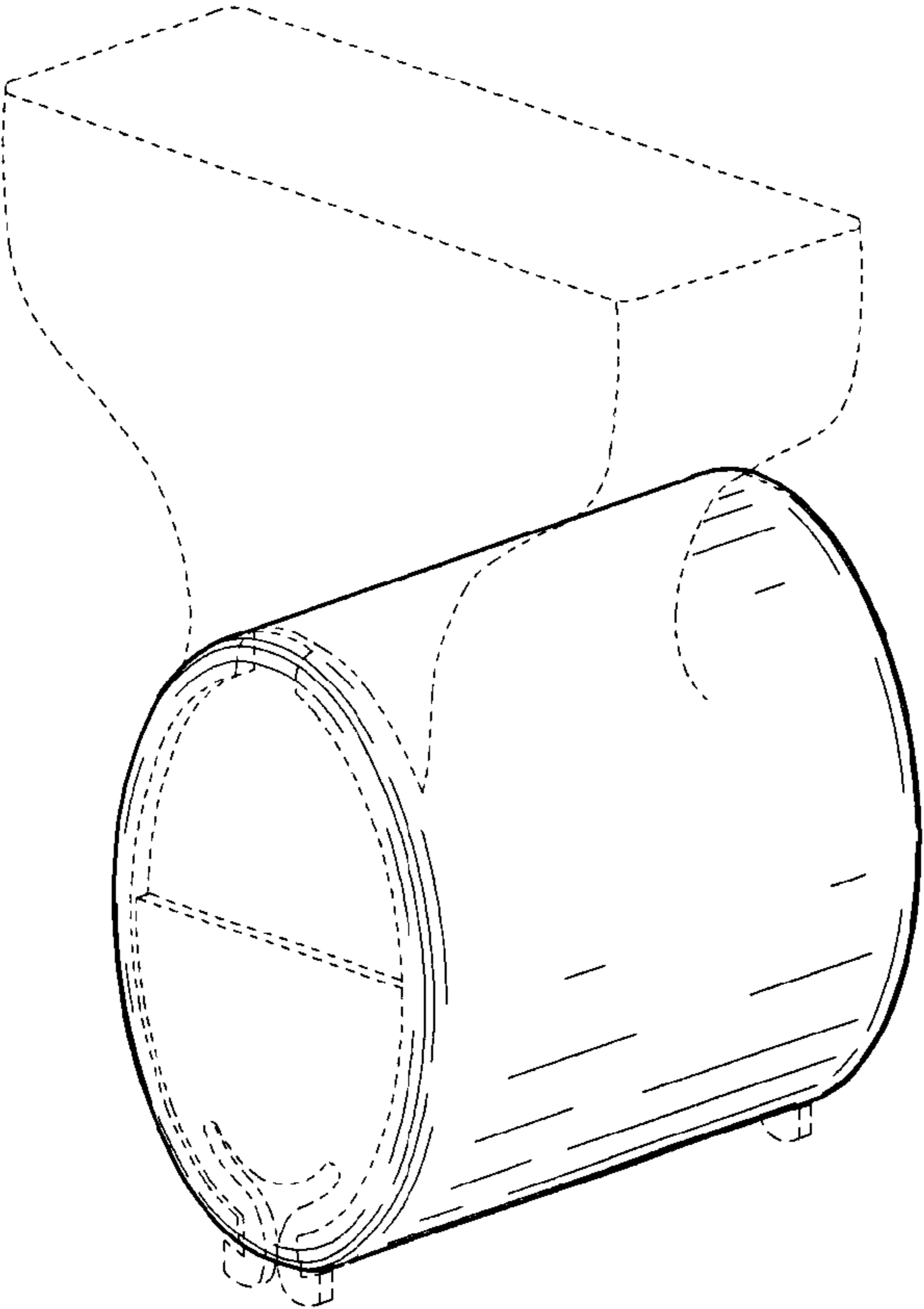


Fig.2

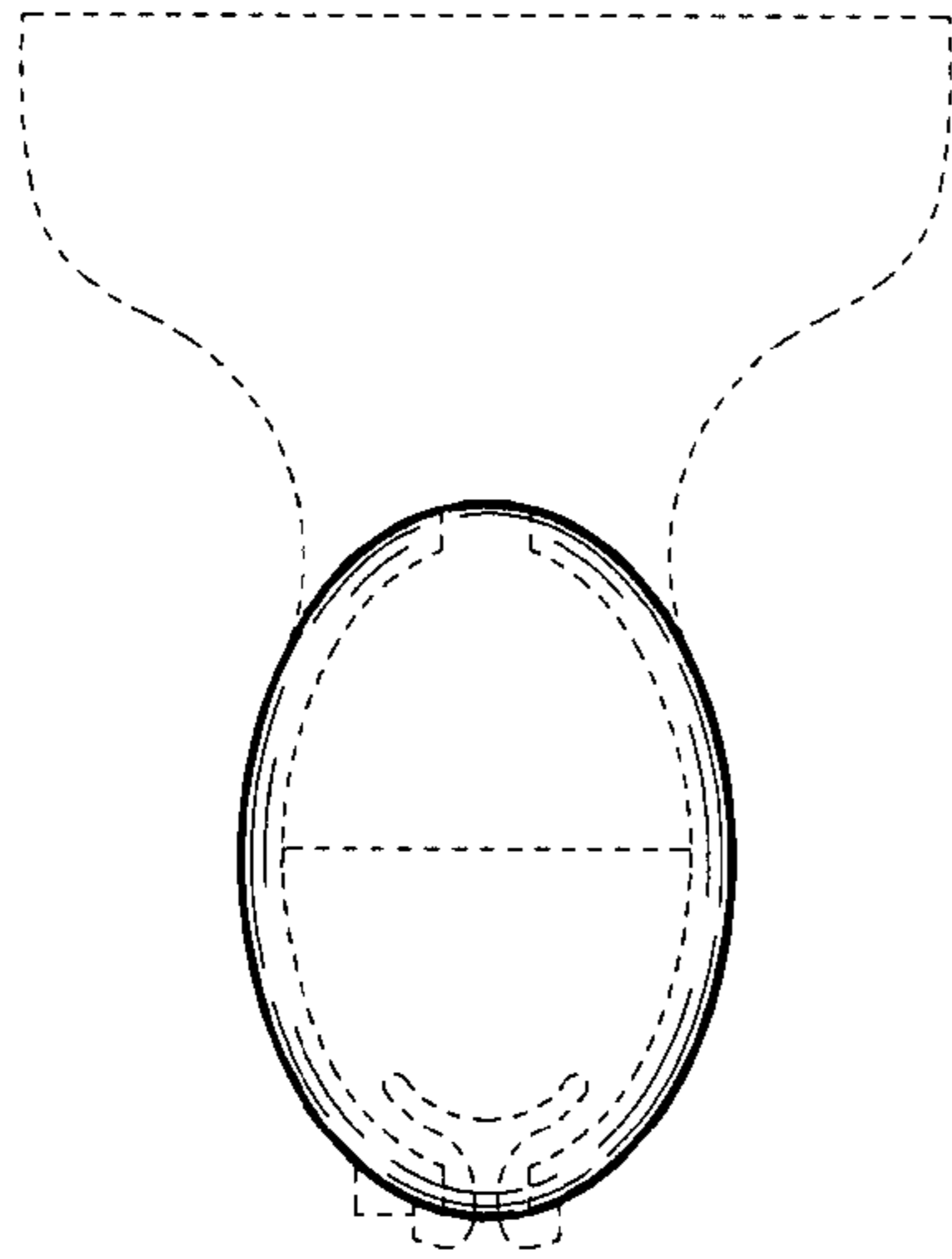


Fig.3

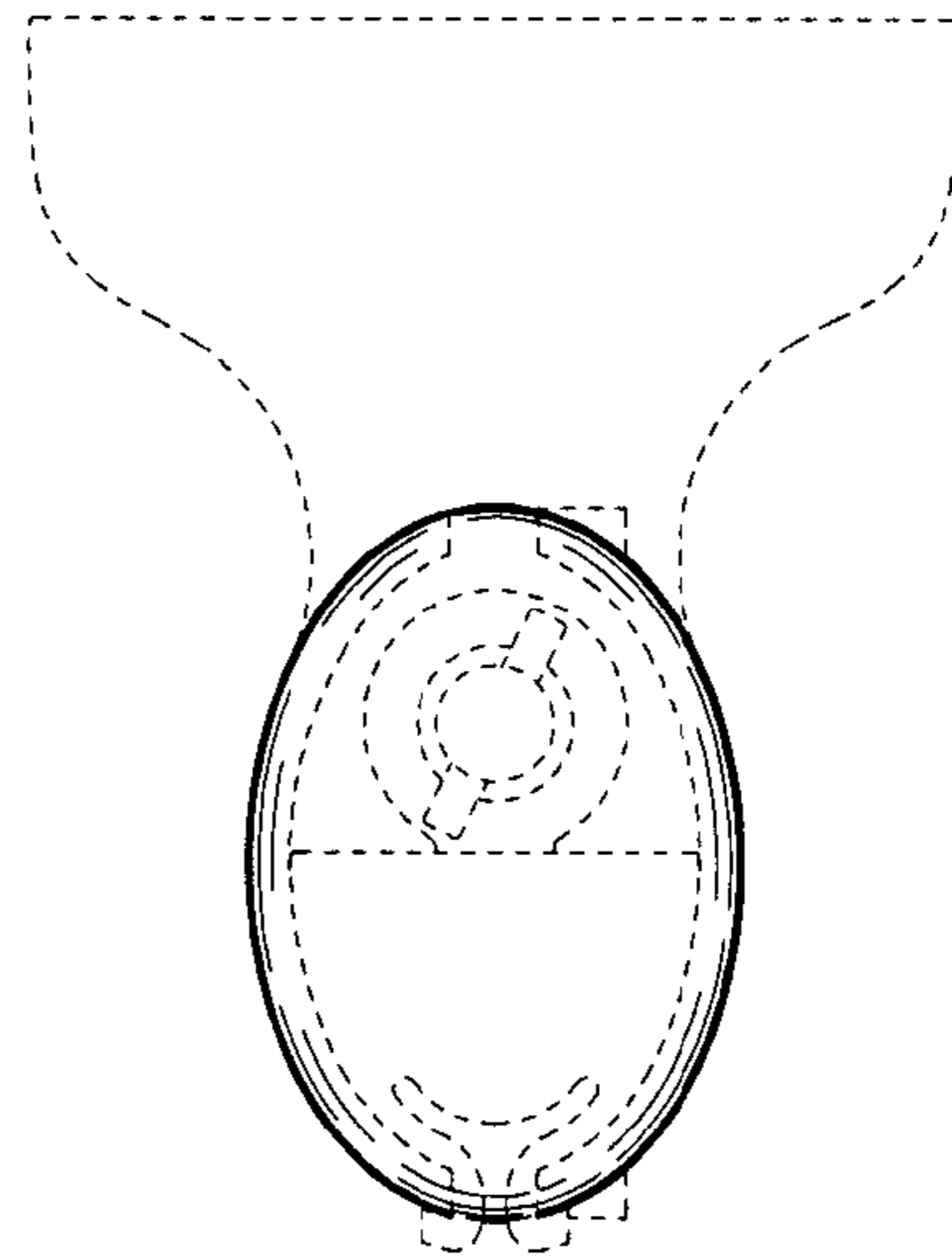


Fig.4

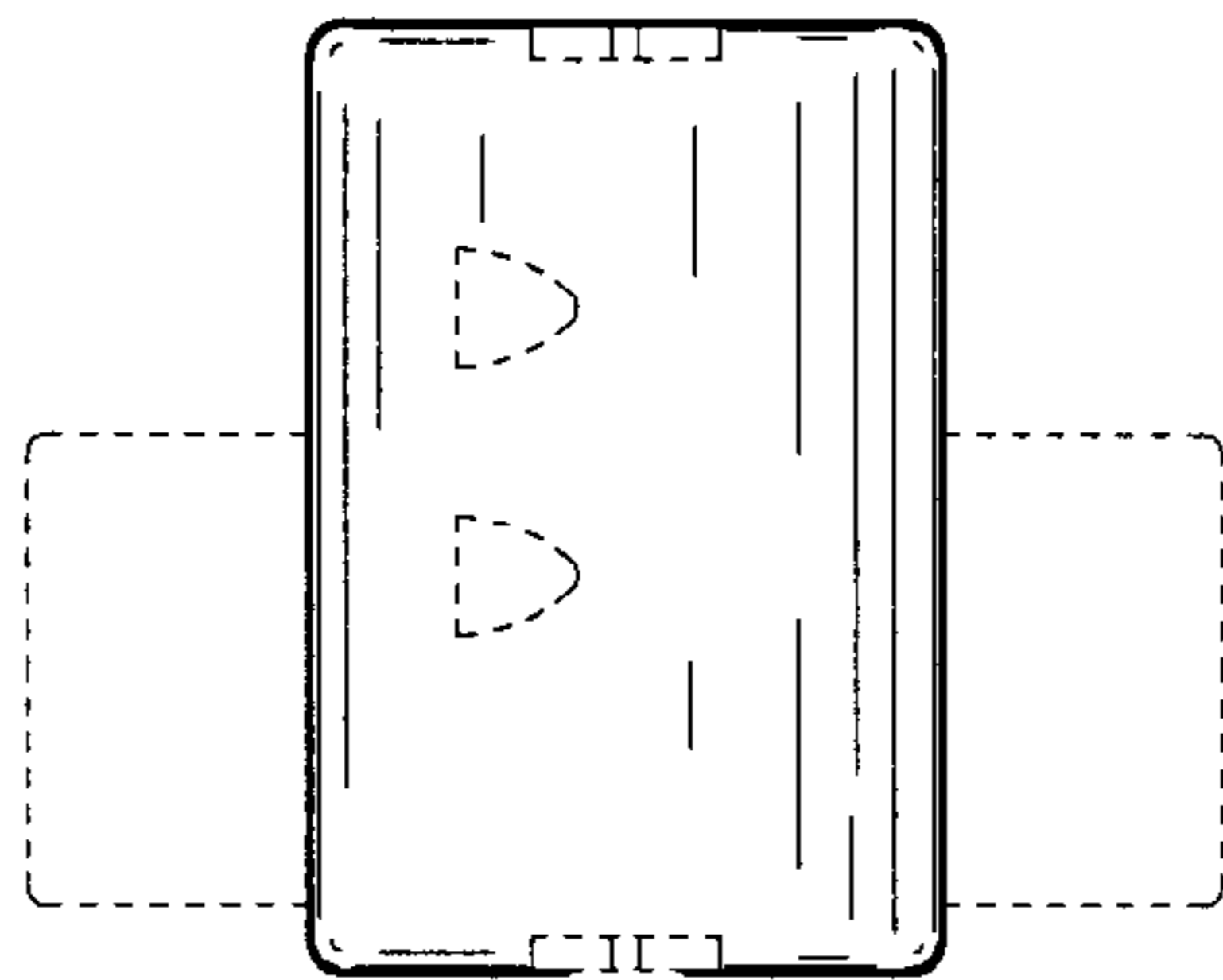


Fig.5

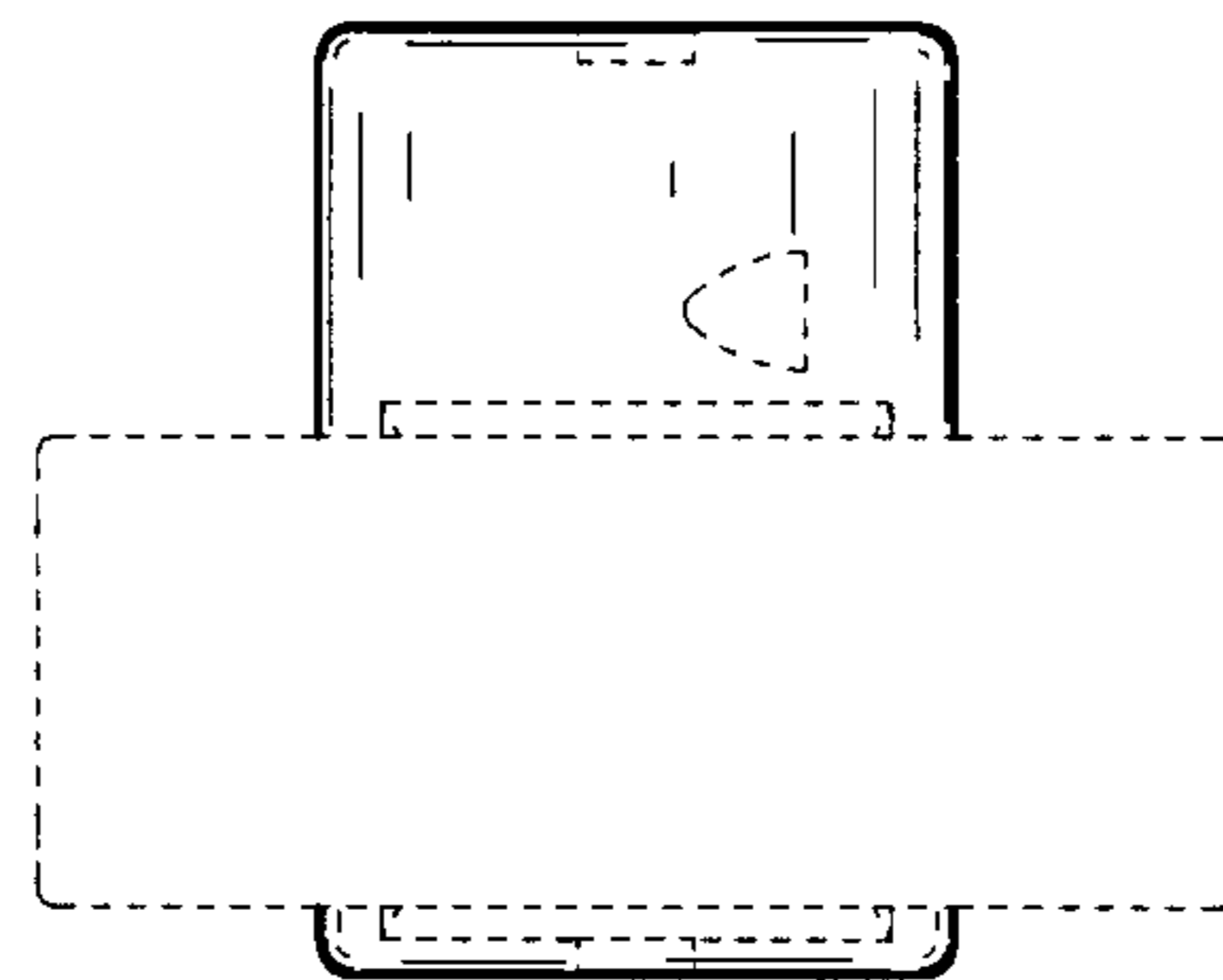


Fig.6

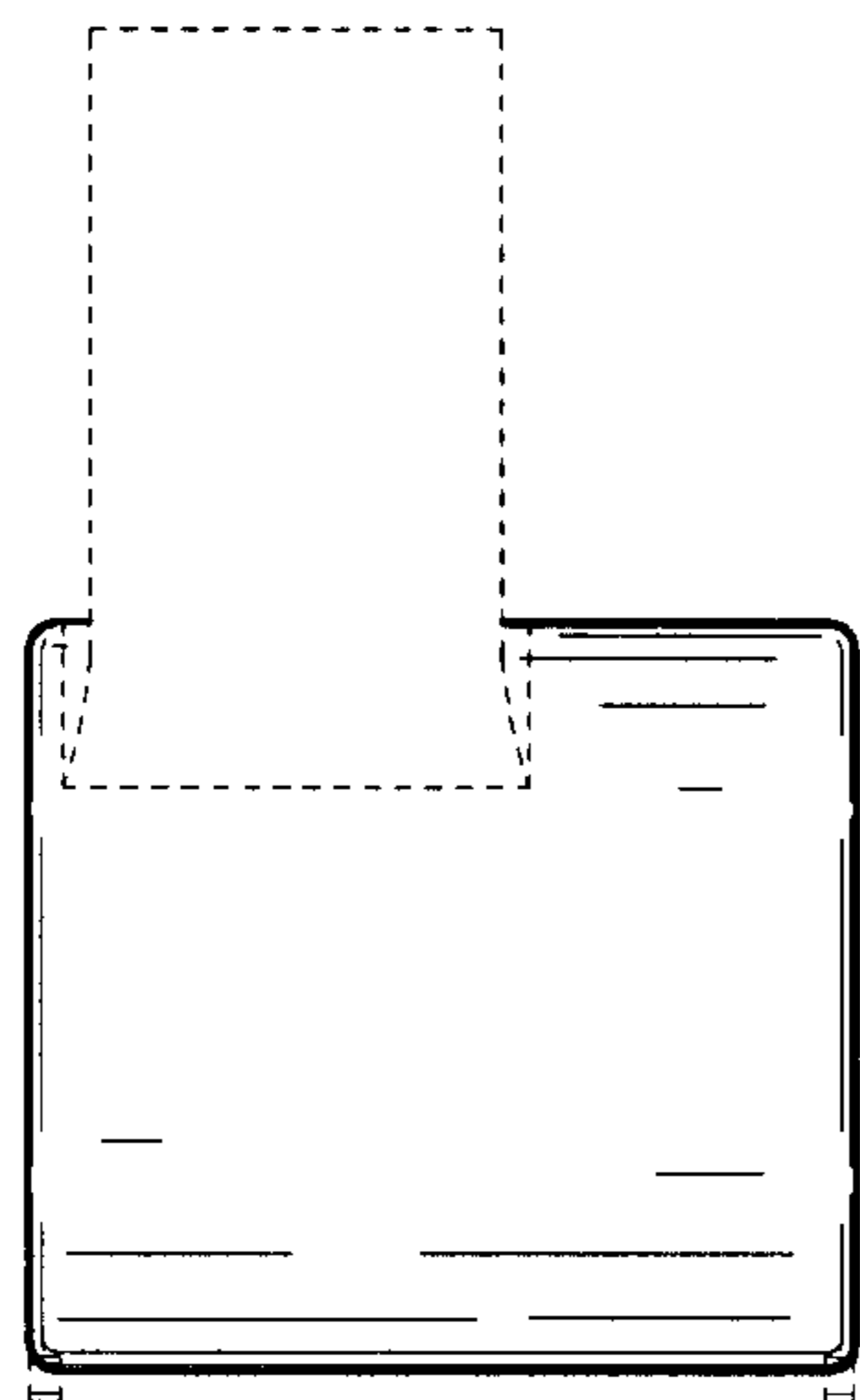


Fig.7

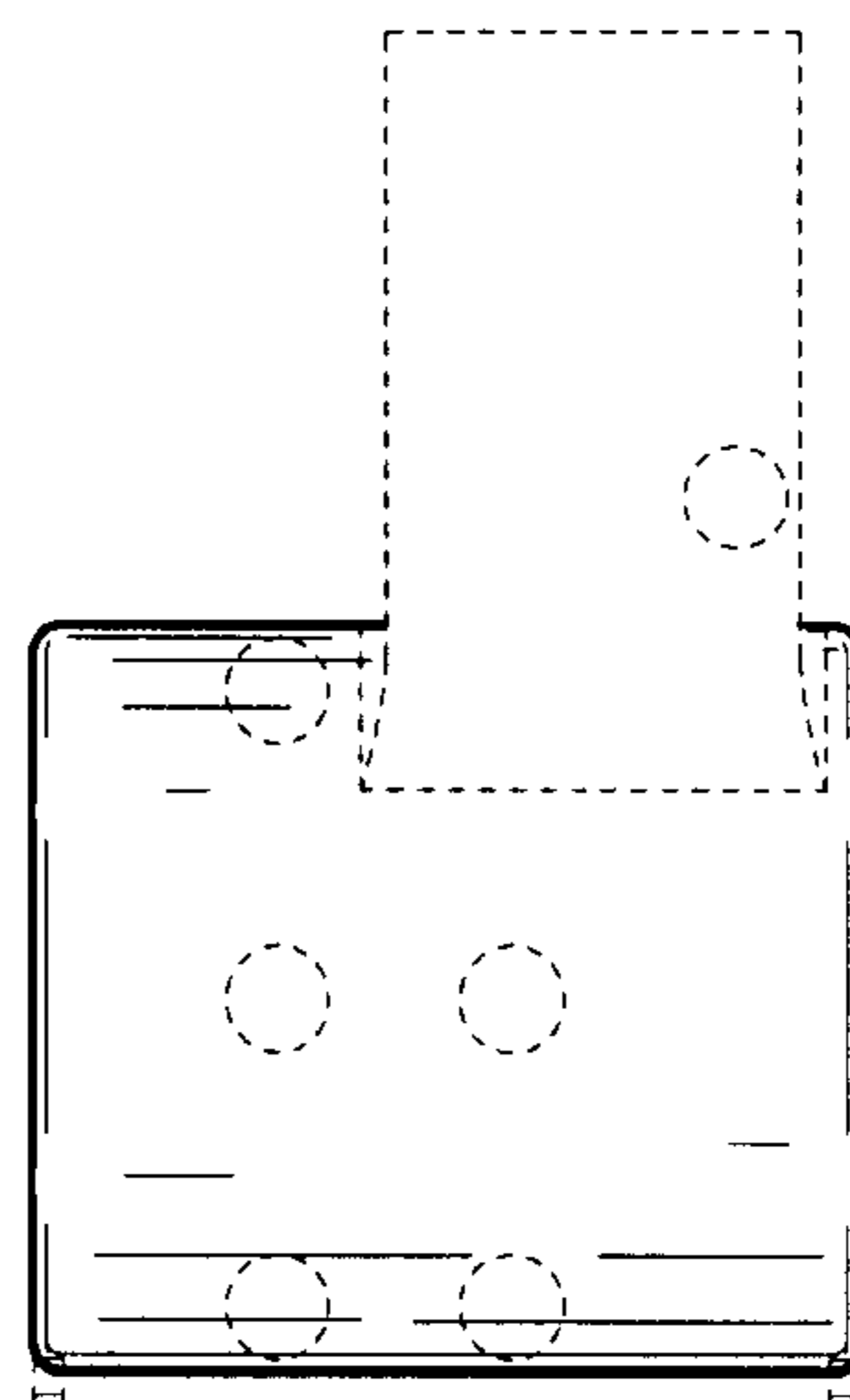


Fig.8