



US00D513022S

(12) **United States Design Patent** (10) **Patent No.:** **US D513,022 S**
Moe (45) **Date of Patent:** **** Dec. 20, 2005**

(54) **TRANSFER UNIT**
(75) **Inventor:** **Nicolai Moe, Oslo (NO)**
(73) **Assignee:** **Zopa AS, Oslo (NO)**
(**) **Term:** **14 Years**
(21) **Appl. No.:** **29/164,964**
(22) **Filed:** **Aug. 5, 2002**
(30) **Foreign Application Priority Data**
Feb. 5, 2002 (NO) 20020093
(51) **LOC (6) Cl.** **15-99**
(52) **U.S. Cl.** **D15/148; D15/199**
(58) **Field of Search** D34/28, 29, 35;
221/210-221, 278, 115; 186/55, 37; 406/184-190,
110, 111, 112; D13/148, 199; D18/35; D99/28,
99; D20/1, 4, 5, 8; 104/91, 93, 139; 53/245;
194/212

4,645,035 A * 2/1987 Bavis 186/37
4,826,360 A * 5/1989 Iwasawa et al. 406/110
4,941,777 A * 7/1990 Kieronski 406/110
5,054,605 A * 10/1991 Bavis 186/37
5,127,773 A * 7/1992 Foreman et al. 406/112
D338,225 S * 8/1993 Vogel D34/28
5,304,017 A * 4/1994 Vogel et al. 406/111
D359,149 S * 6/1995 Nozaki D34/29
5,586,686 A 12/1996 Bustos et al.
5,725,124 A * 3/1998 Bustos et al. 221/211
5,934,440 A 8/1999 Kroghrud
6,164,491 A * 12/2000 Bustos et al. 221/211
6,195,960 B1 3/2001 Gjedebo
D441,024 S * 4/2001 Villalta D20/1
6,253,956 B1 * 7/2001 Khan et al. 221/211
D464,783 S * 10/2002 Abbestam D34/29

FOREIGN PATENT DOCUMENTS

EP 0 300 619 A2 1/1989
FR 2.000.328 9/1969
WO 92/14666 9/1992
WO 01/40088 A1 6/2001

* cited by examiner

Primary Examiner—Gary D. Watson
Assistant Examiner—T. Chase Nelson
(74) *Attorney, Agent, or Firm*—Young & Thompson

(56) **References Cited**
U.S. PATENT DOCUMENTS
2,281,191 A 4/1942 Eddy et al.
D137,284 S * 2/1944 Kilcup D20/1
2,550,884 A 5/1951 Tandler et al.
2,598,279 A 5/1952 McKibbin
3,419,229 A * 12/1968 Crosby 406/110
3,598,279 A 8/1971 Duffau
D238,510 S * 1/1976 Tabler D34/29
3,967,717 A 7/1976 Bauer
4,015,537 A * 4/1977 Graef et al. 104/91
D259,571 S * 6/1981 Arasim et al. D18/35
4,315,704 A * 2/1982 Kelley et al. 406/110
4,322,067 A * 3/1982 Masselin et al. 221/211
D278,638 S * 4/1985 Kraemer D18/35
4,574,981 A * 3/1986 Jewett D20/4

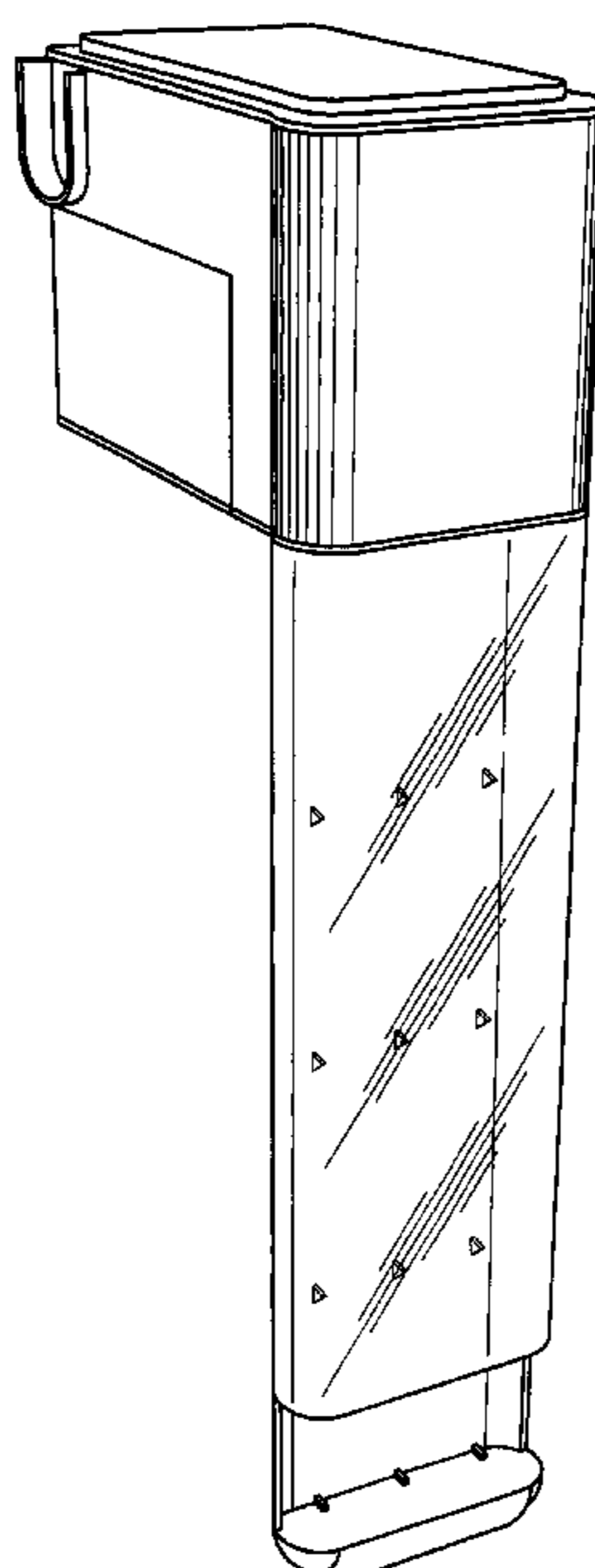
(57) **CLAIM**

The ornamental design for a transfer unit, as shown.

DESCRIPTION

FIG. 1 is a top and side perspective view of a transfer unit showing my new design; and, FIG. 2 is a bottom and side perspective view thereof from the side opposite that shown in FIG. 1.

1 Claim, 2 Drawing Sheets



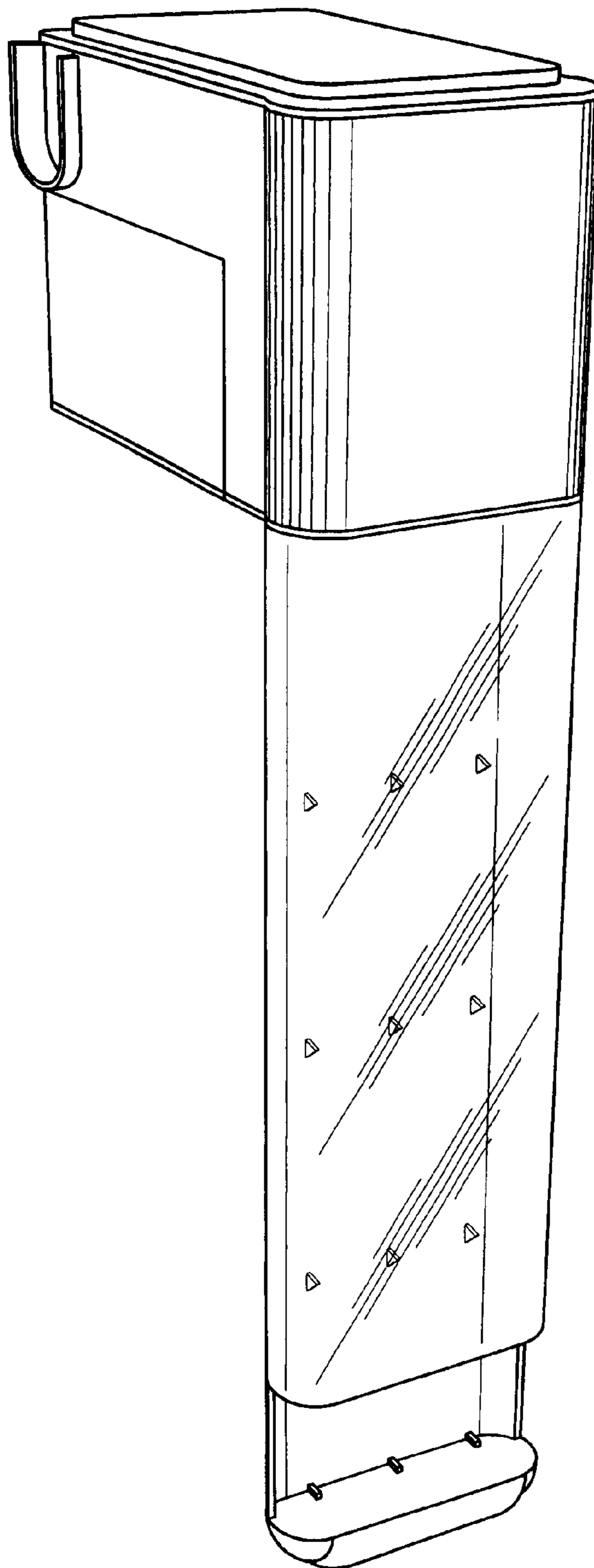


Fig. 1

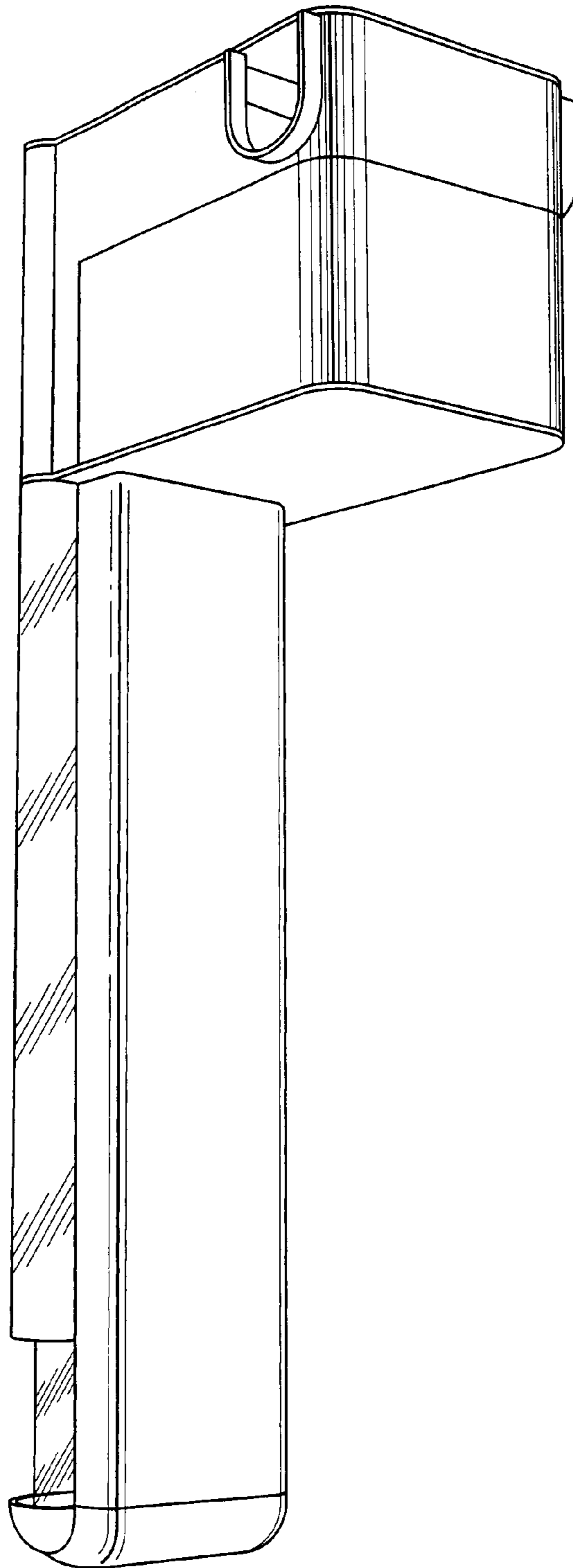


Fig. 2