



US00D513020S

(12) **United States Design Patent**
Rubalcava et al.

(10) **Patent No.:** **US D513,020 S**

(45) **Date of Patent:** **** Dec. 20, 2005**

(54) **PRESSURE SLEEVE**

5,440,933 A 8/1995 Brammer et al.
5,798,453 A 8/1998 Brammer et al.

(75) Inventors: **Manuel P. Rubalcava**, San Jose, CA
(US); **James A. McClung**, N. Canton,
OH (US)

Primary Examiner—Lisa Lichtenstein
(74) *Attorney, Agent, or Firm*—Eric A. Lerner; Eckert
Seamans Cherin & Mellott, LLC

(73) Assignee: **Stolle Machinery Company, LLC**,
Centennial, CO (US)

(**) Term: **14 Years**

(57) **CLAIM**

The ornamental design for a pressure sleeve, as shown and
described.

(21) Appl. No.: **29/197,780**

(22) Filed: **Jan. 20, 2004**

DESCRIPTION

Related U.S. Application Data

(62) Division of application No. 29/179,757, filed on Apr. 15,
2003, now Pat. No. Des. 488,172.

FIG. 1 is a side perspective view of a pressure sleeve
showing our new design;

(51) **LOC (6) Cl.** **15-09**

(52) **U.S. Cl.** **D15/123**

(58) **Field of Search** D15/123; 72/349,
72/350; 73/35.09, 756

FIG. 2 is a front elevational view thereof, the opposite side
being identical thereto;

FIG. 3 is a side elevational view thereof, the opposite side
being identical thereto;

FIG. 4 is a top plan view thereof; and,

FIG. 5 is a bottom plan view thereof.

(56) **References Cited**

U.S. PATENT DOCUMENTS

4,535,618 A 8/1985 Bulso, Jr. et al.

1 Claim, 2 Drawing Sheets

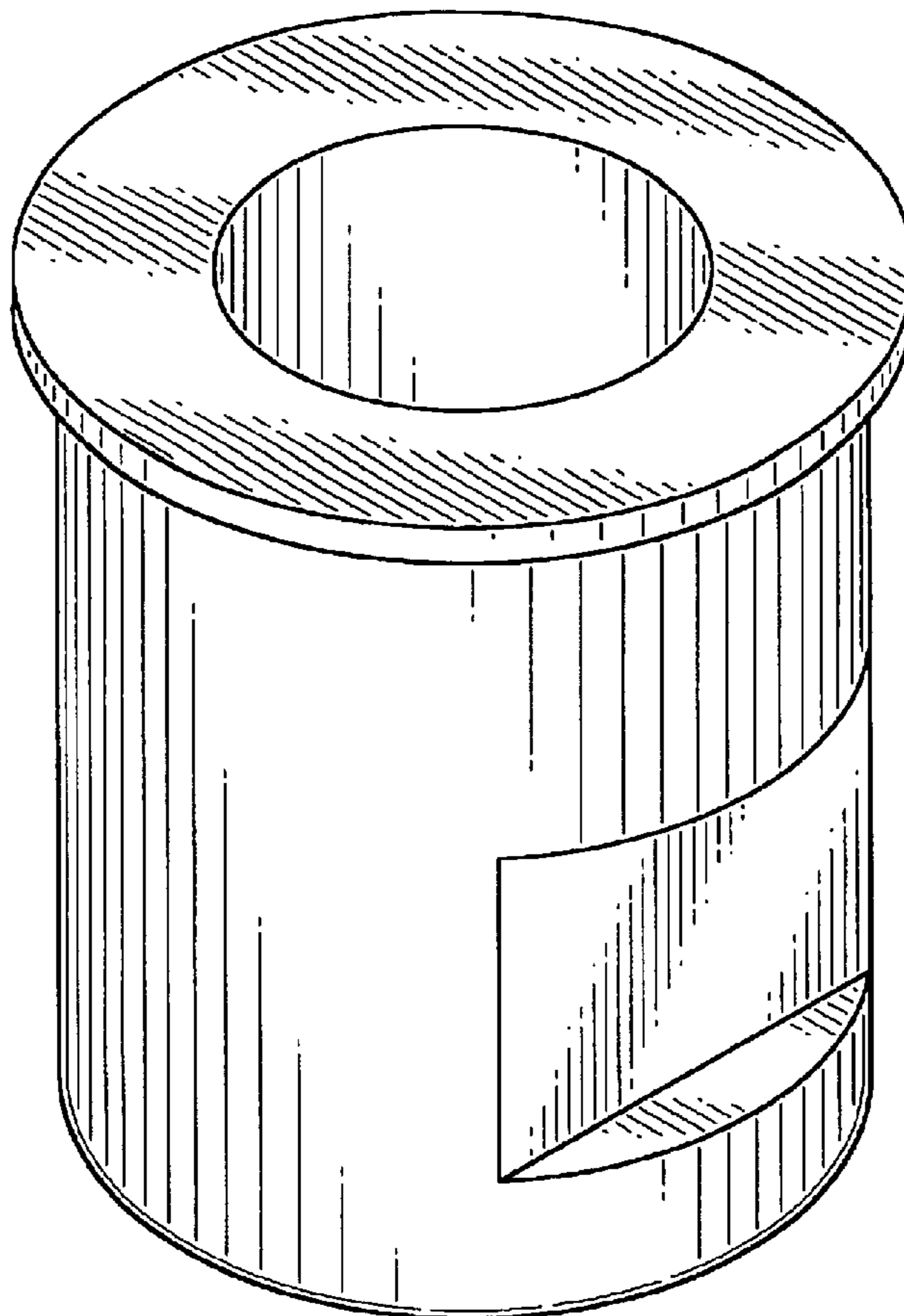


FIG-1

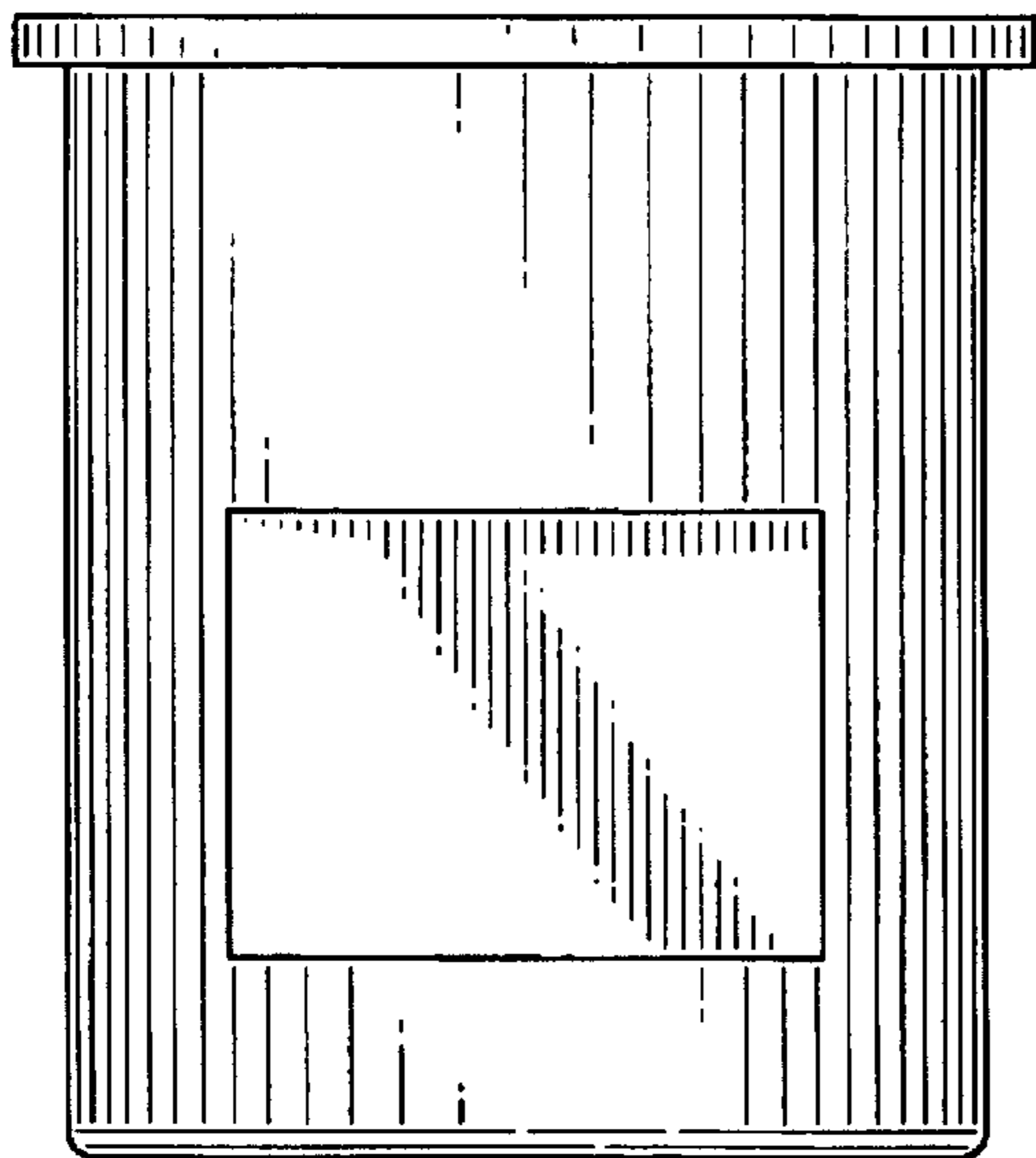
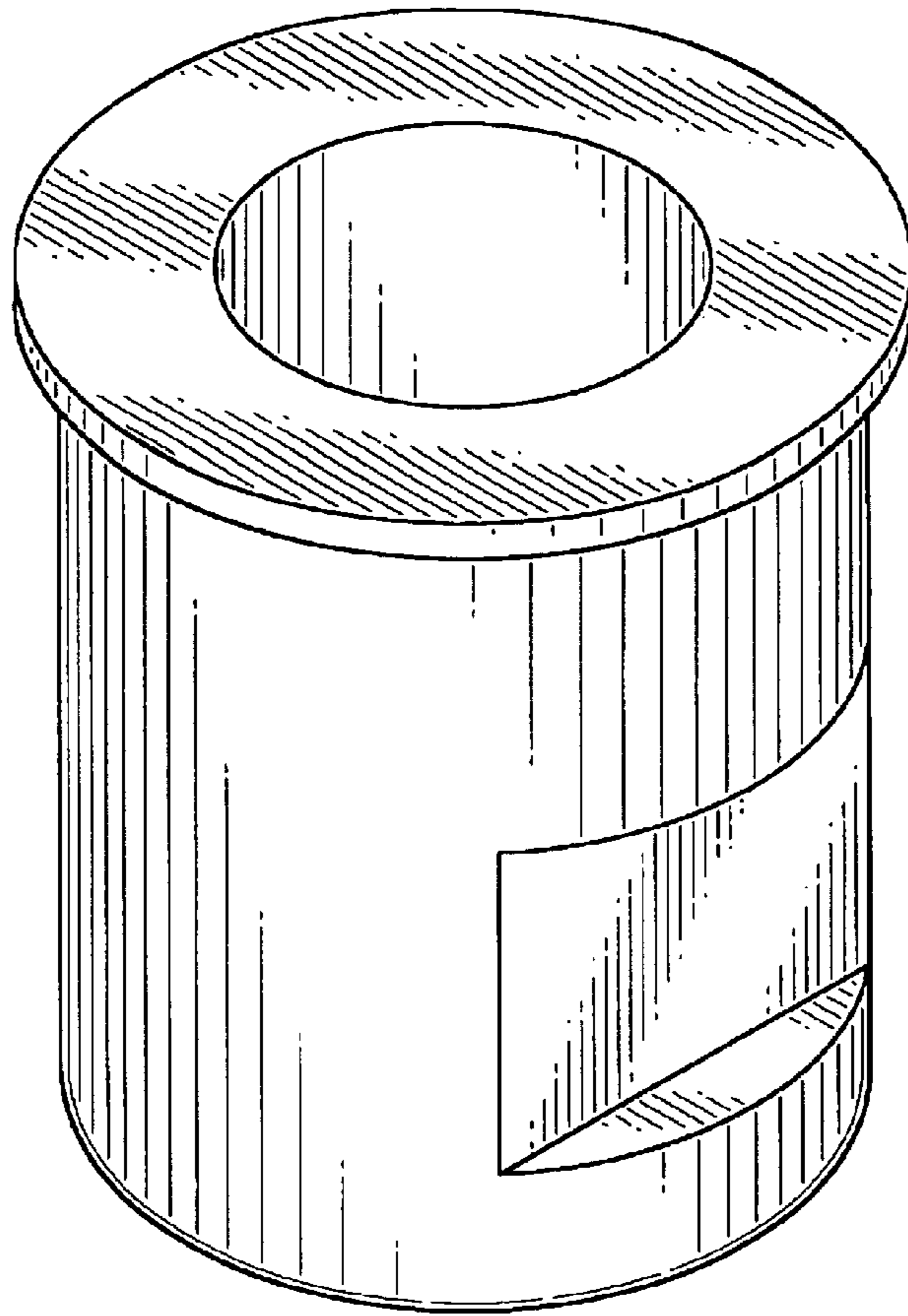


FIG-2

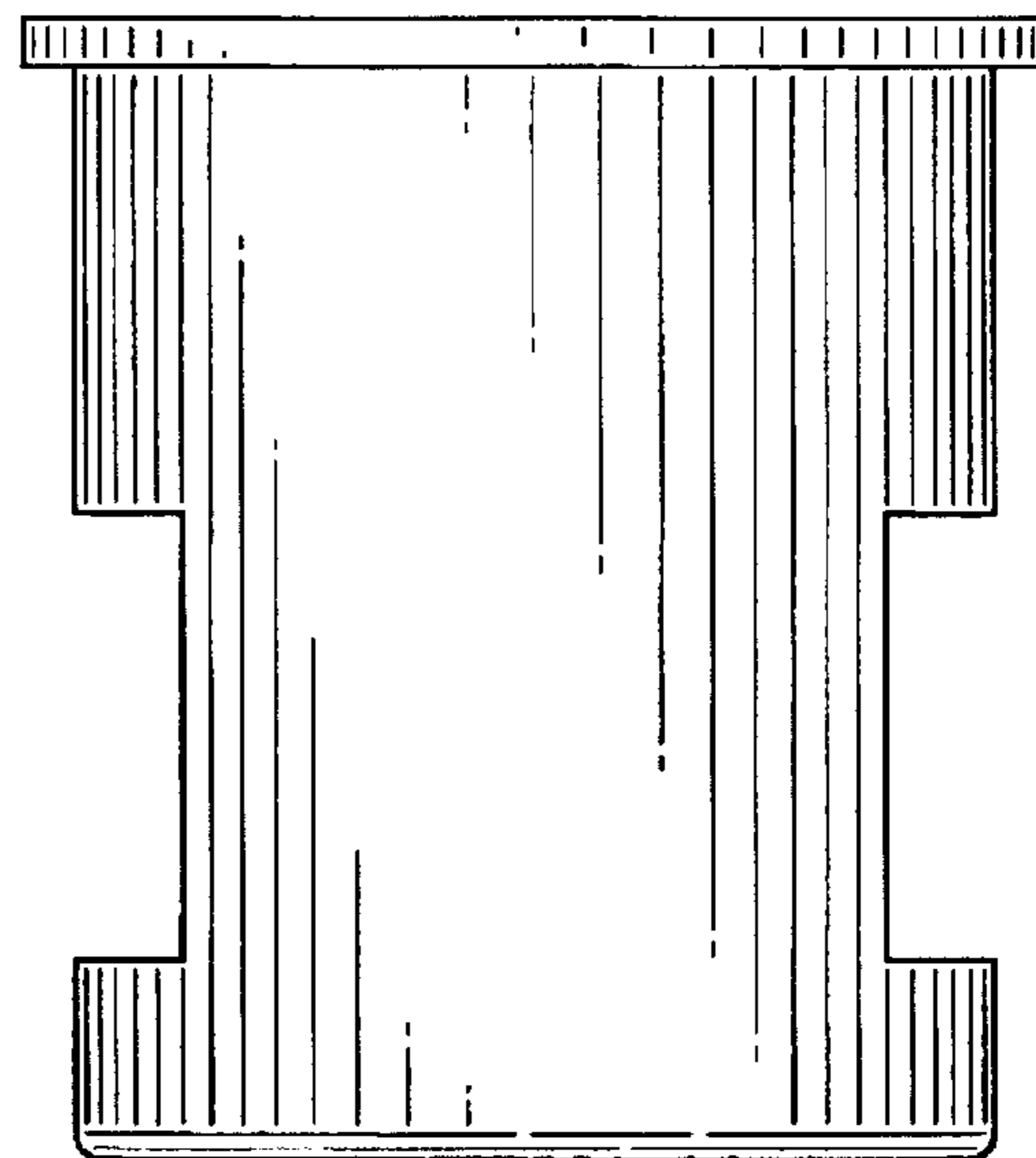


FIG-3

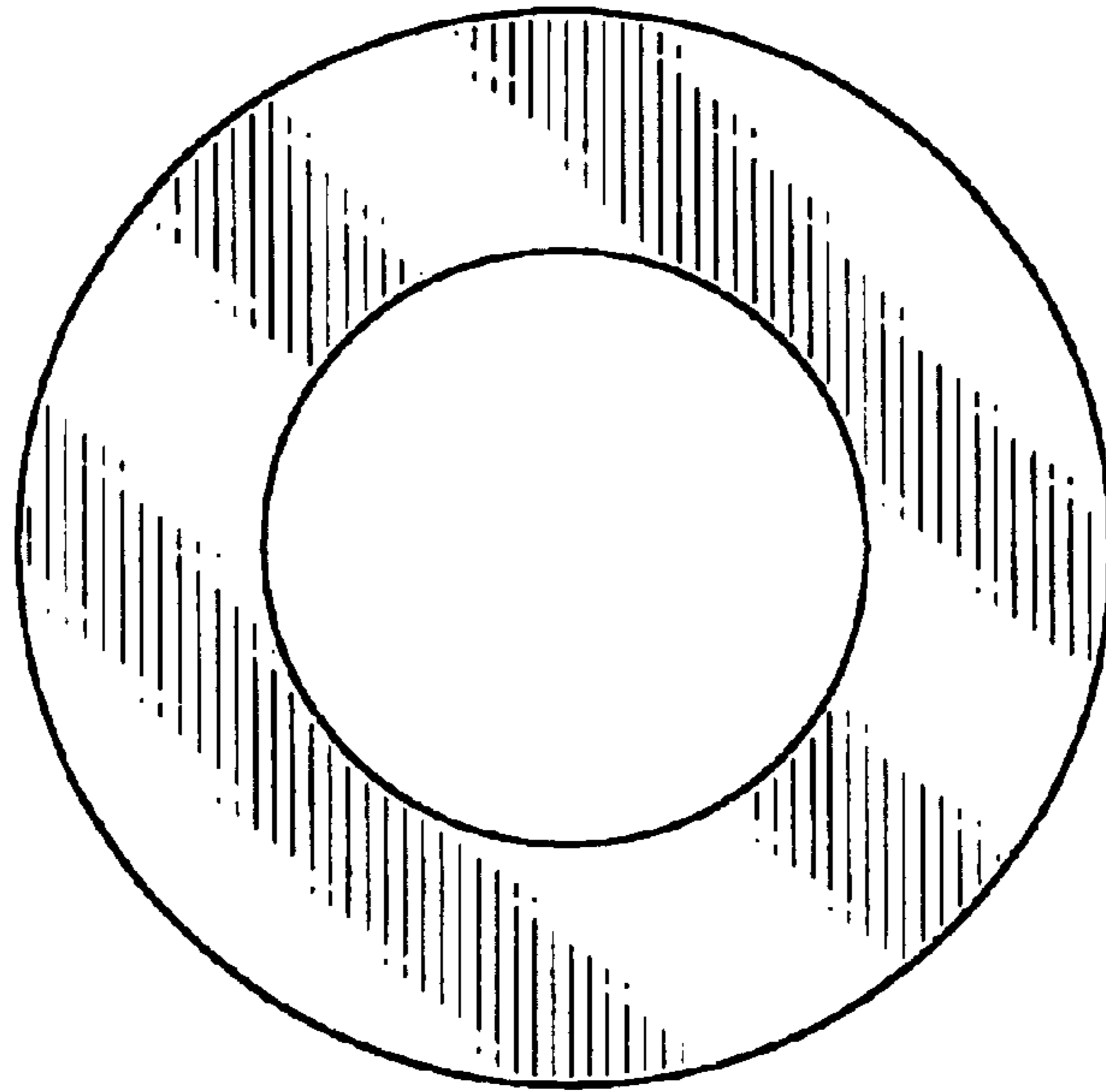


FIG-4

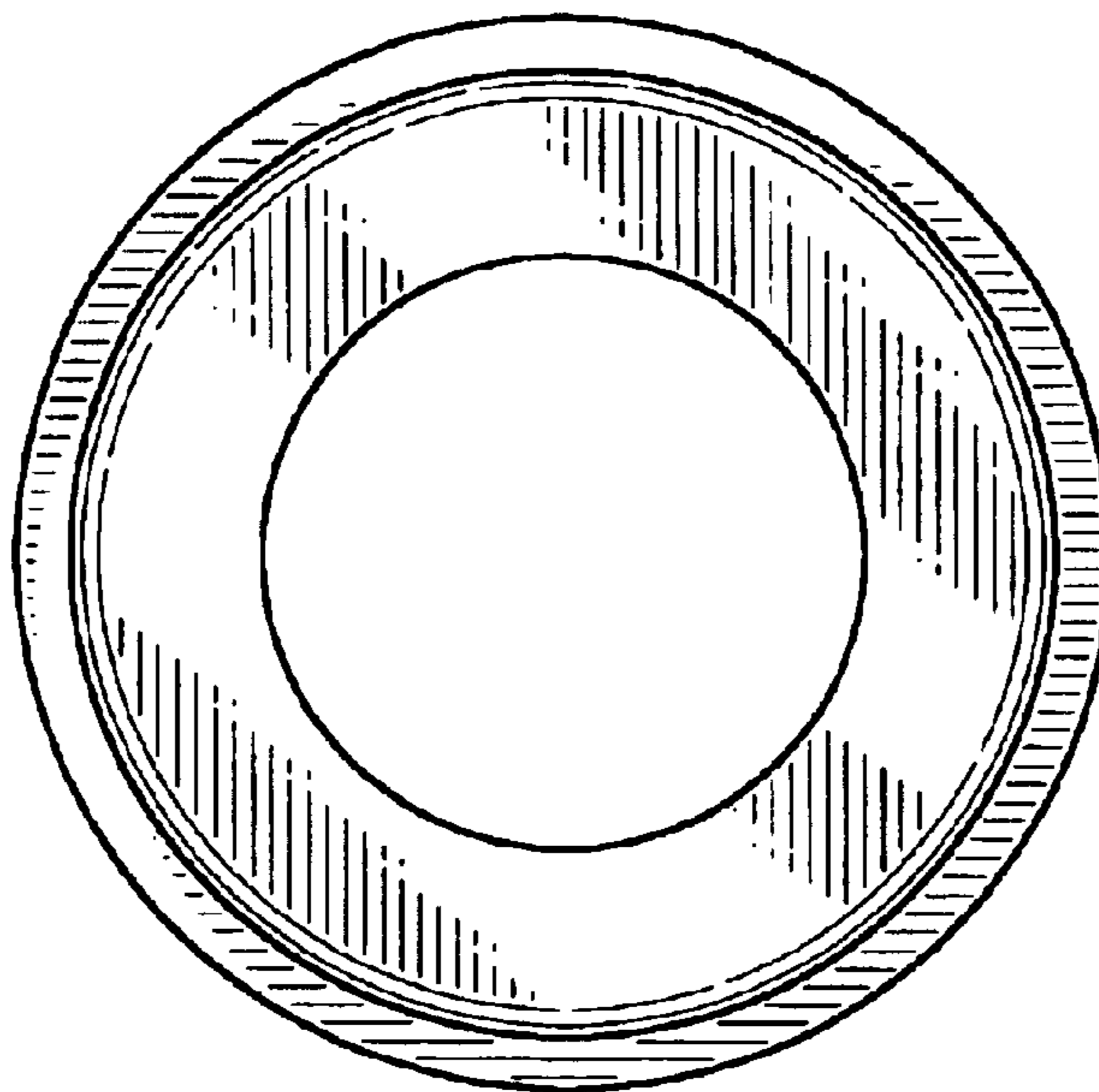


FIG-5