



US00D513019S

(12) **United States Design Patent**
Lion et al.

(10) **Patent No.: US D513,019 S**
(45) **Date of Patent: ** Dec. 20, 2005**

(54) **ICE CUBE TRAY**
(75) Inventors: **Mathieu Lion, Paris (FR); Lucas Bignon, Cachan (FR)**
(73) Assignee: **Mastrad SA, Paris (FR)**
(**) Term: **14 Years**

5,397,097 A 3/1995 Dale
6,168,131 B1 * 1/2001 Tabatabaie 249/121
6,195,518 B1 3/2001 Garrido-Lecca
D496,374 S * 9/2004 Zimmerman D15/90

FOREIGN PATENT DOCUMENTS

DE 19922439 11/1998
FR 2437 590 12/1978
GB 2267957 12/1993

* cited by examiner

Primary Examiner—Stella Reid
Assistant Examiner—Shanda C. Hill

(74) *Attorney, Agent, or Firm*—Cowan Liebowitz & Latman, P.C.; Mark Montague

(21) Appl. No.: **29/208,074**
(22) Filed: **Jun. 23, 2004**
(51) **LOC (6) Cl. 15-07**
(52) **U.S. Cl. D15/90**
(58) **Field of Search D15/79-82, 89, D15/90; 206/521.1; 249/119, 121, 127, 203, 69-71; 222/146.6**

(57) **CLAIM**

The ornamental design for an ice cube tray, as shown and described.

(56) **References Cited**

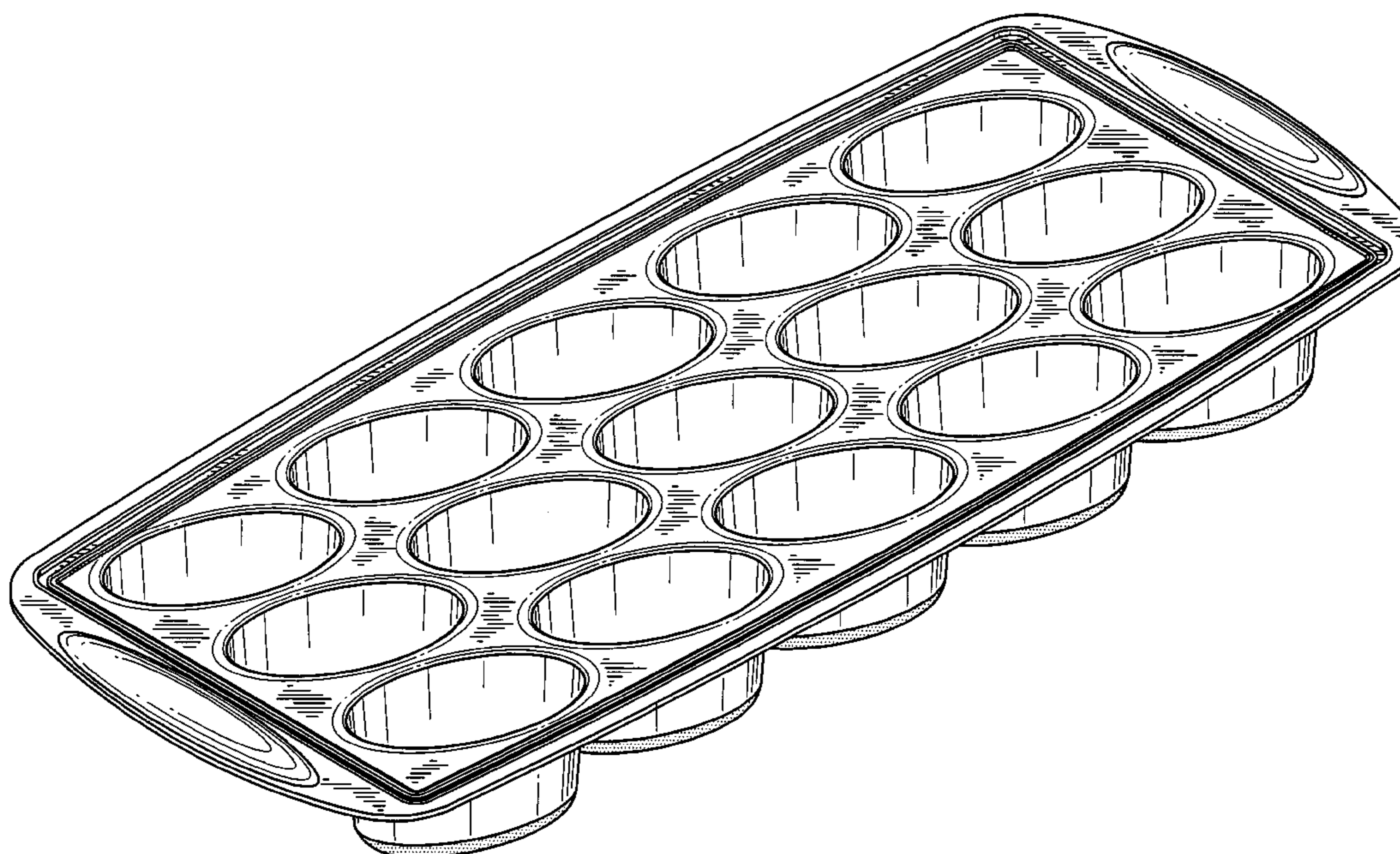
U.S. PATENT DOCUMENTS

1,896,849 A 2/1933 Newman
2,182,454 A 12/1939 Sherman
D137,122 S * 1/1944 Gits D15/90
D190,839 S * 7/1961 Voightmann D15/90
D200,558 S * 3/1965 Davis D15/90
3,214,128 A 10/1965 Beck
3,374,982 A 3/1968 Sallade
3,776,504 A 12/1973 Wiley
3,844,525 A 10/1974 Parmett
4,081,122 A * 3/1978 Hobson 206/521.1
4,432,529 A 2/1984 McMillian
D309,905 S * 8/1990 Weissman D15/90
D320,994 S 10/1991 Kafka et al.
5,196,127 A 3/1993 Solell

DESCRIPTION

FIG. 1 is a perspective view of an ice cube tray showing our new design;
FIG. 2 is a top plan view thereof;
FIG. 3 is a front elevational view thereof;
FIG. 4 is a bottom plan view thereof; and,
FIG. 5 is a side elevational view thereof.
The broken lines in the figures are for purposes of illustration only and form no part of the claimed design.
The broken line shown in FIGS. 3 and 5 are for illustrative purposes only and forms no part of the claimed design.

1 Claim, 3 Drawing Sheets



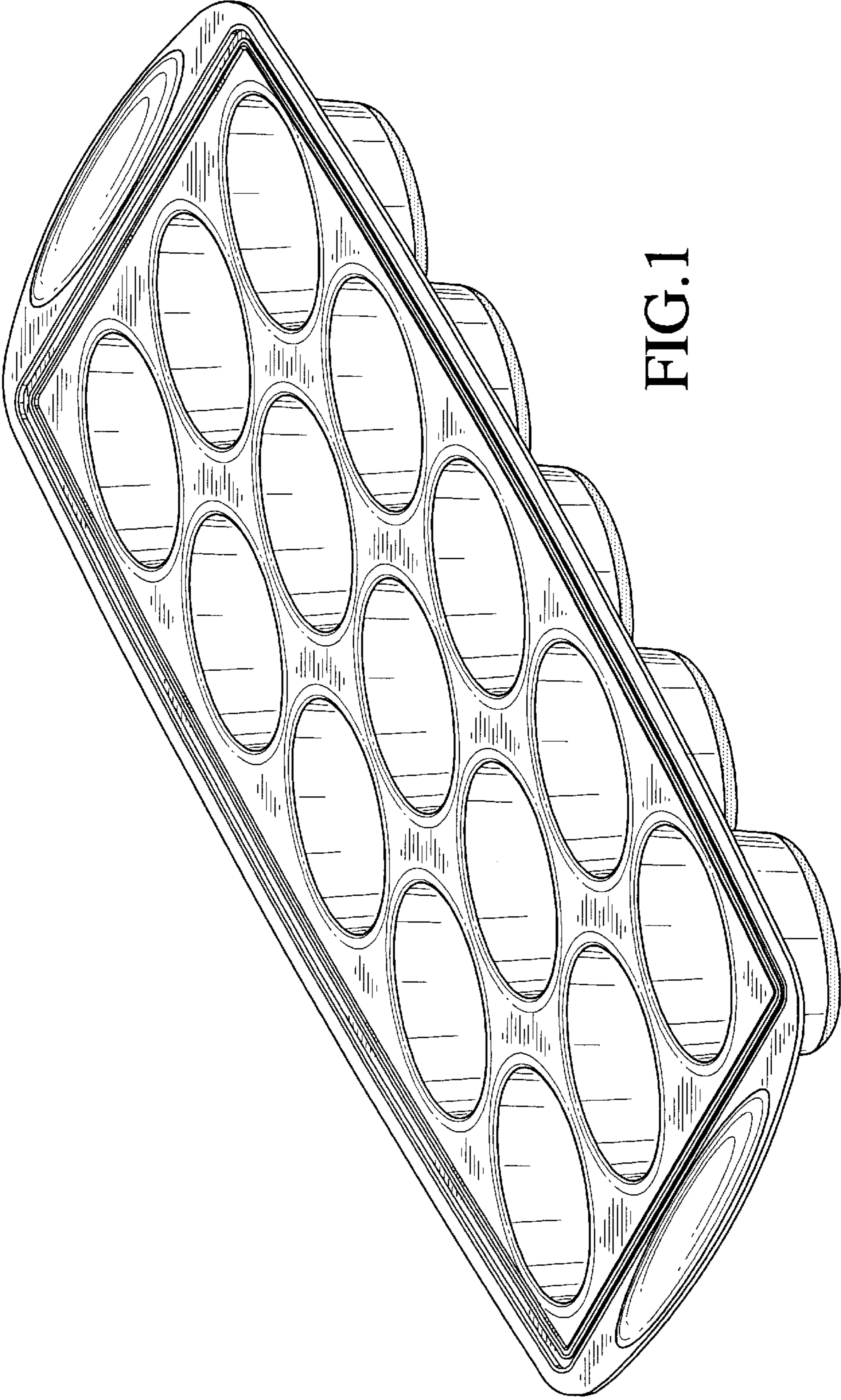


FIG. 1

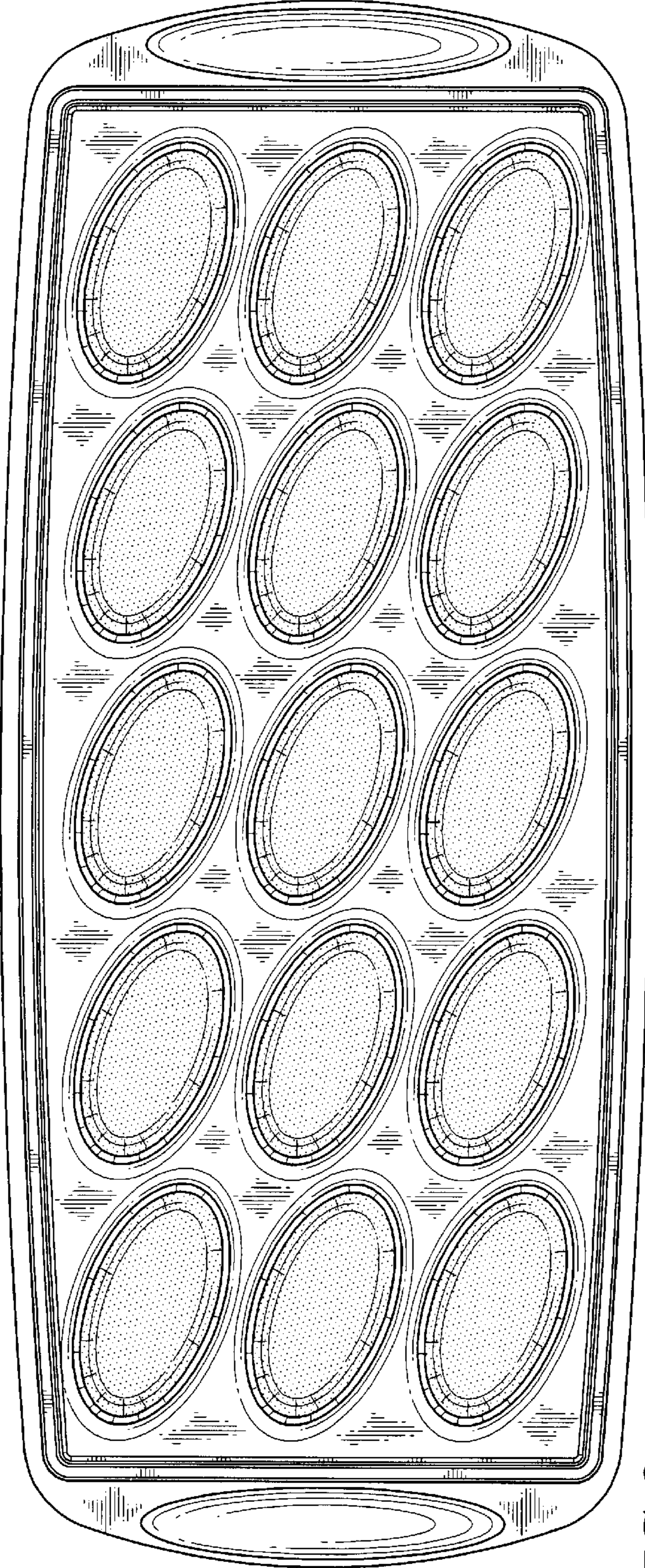
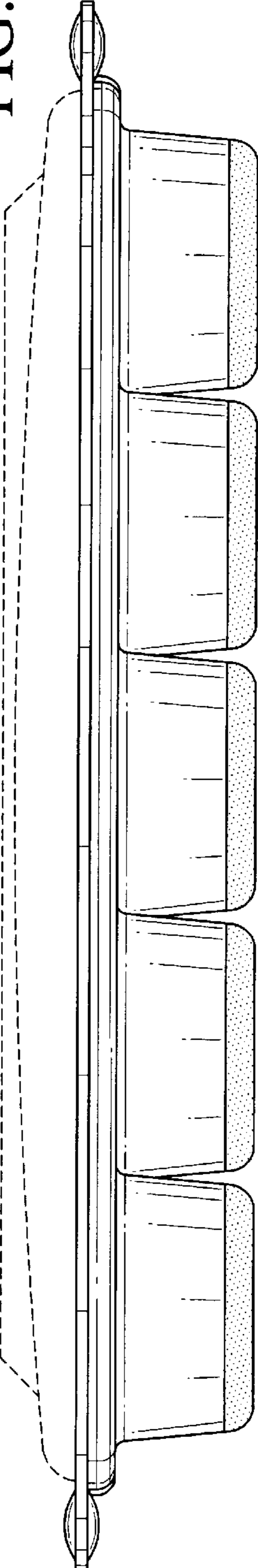


FIG. 2

FIG. 3



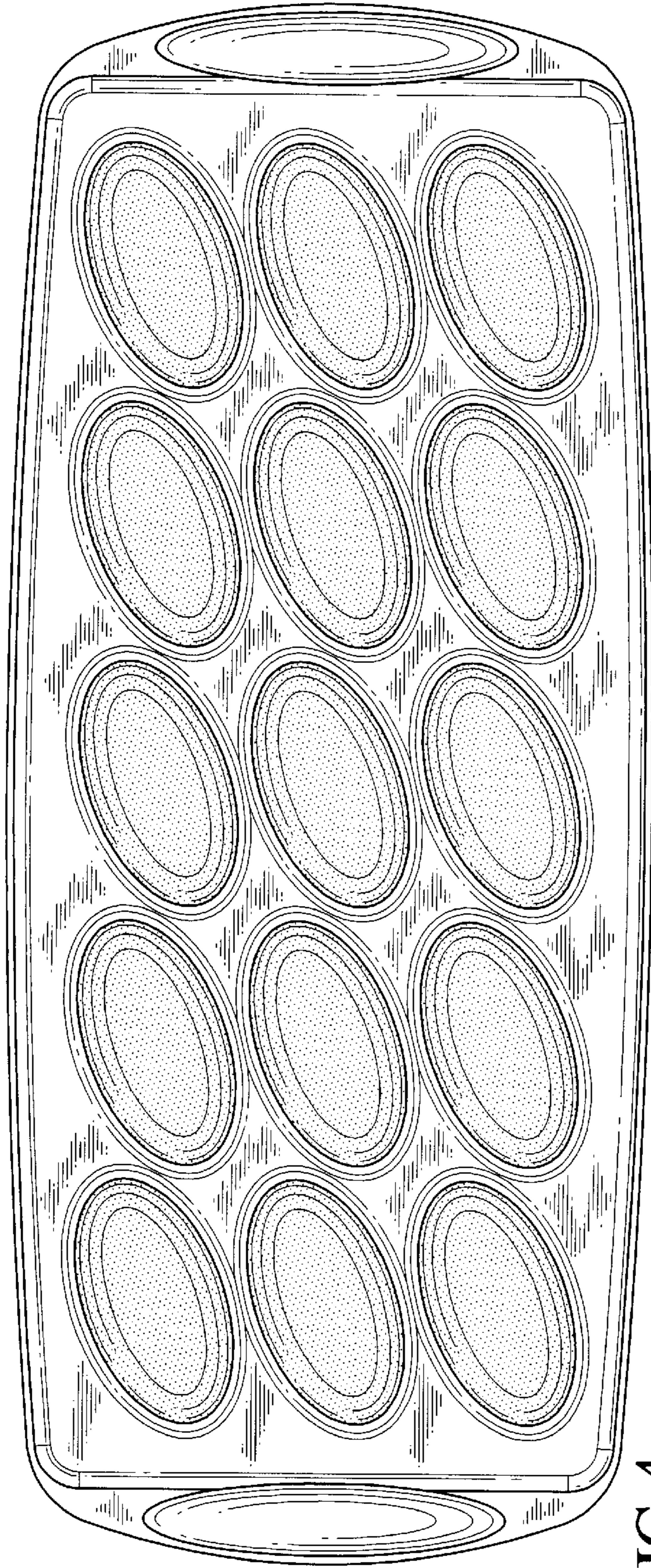


FIG. 4

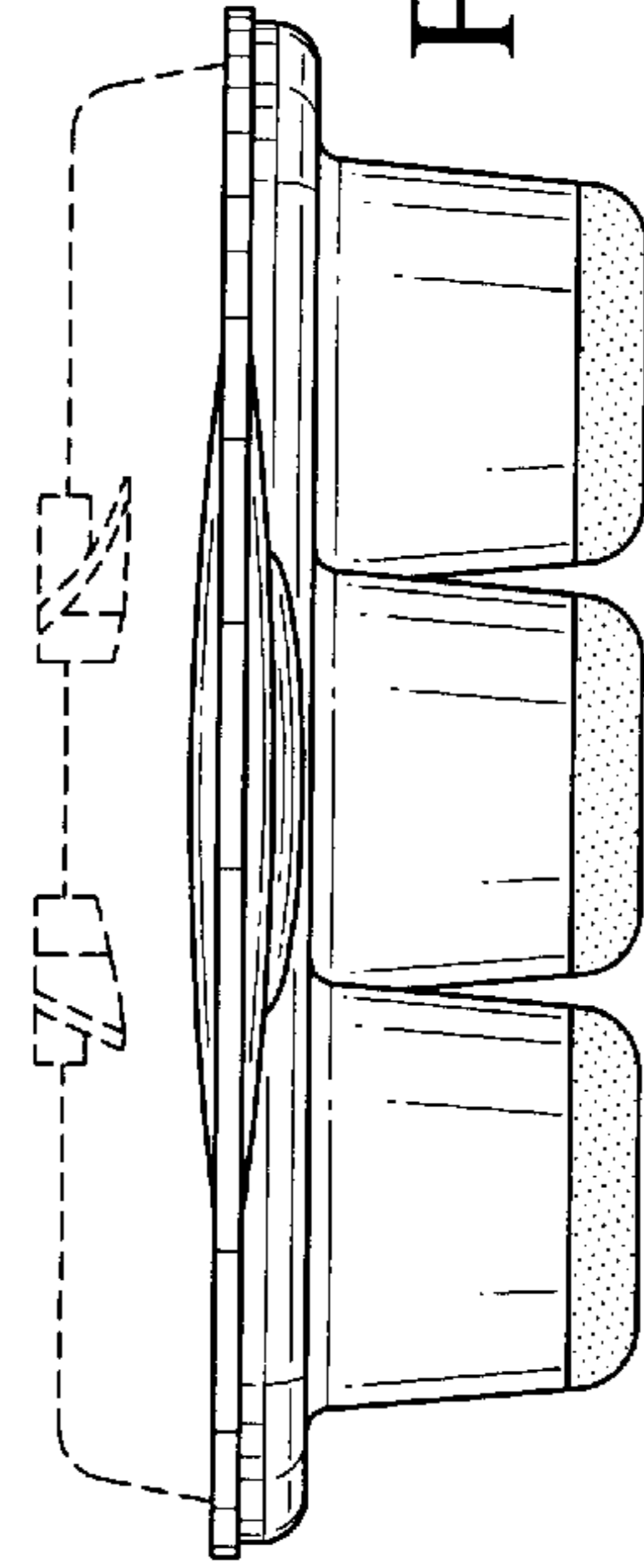


FIG. 5