



US00D513017S

(12) **United States Design Patent**
Grobleben

(10) **Patent No.:** **US D513,017 S**

(45) **Date of Patent:** **** Dec. 20, 2005**

(54) **MULTI-COMPARTMENT STORAGE TRAY
FOR A REFRIGERATOR**

3,200,983 A * 8/1965 Walter 220/533
4,729,613 A * 3/1988 Tromble et al. 312/270.3
5,215,205 A * 6/1993 Behlman 220/4.31

(75) Inventor: **Ralf Grobleben**, Bretten (DE)

* cited by examiner

(73) Assignee: **BSH Bosch und Siemens Hausgeraete
GmbH**, Munich (DE)

Primary Examiner—Nanda Bondade
Assistant Examiner—Shanda C. Hill

(**) Term: **14 Years**

(74) *Attorney, Agent, or Firm*—John T. Winburn; Russell
W. Warnock; Craig J. Lorst

(21) Appl. No.: **29/207,100**

(57) **CLAIM**

(22) Filed: **Jun. 7, 2004**

The ornamental design for a multi-compartment storage tray
for a refrigerator, as shown and described.

(30) **Foreign Application Priority Data**

DESCRIPTION

Dec. 5, 2003 (EM) 117197

(51) **LOC (6) Cl.** **15-07**

(52) **U.S. Cl.** **D15/89**

(58) **Field of Search** D15/79, 81, 85-87,
D15/89; 62/440-449, 457, 246-255, 337,
3.6; 312/116, 247, 270.3, 319, 401; 220/592.01,
592.02, 592.04, 4.31, 533

FIG. 1 is a left-side, front, top perspective view of a
multi-compartment storage tray for a refrigerator, showing
my new design;

FIG. 2 is a right-side, front, top perspective view thereof,
shown in an alternate position;

FIG. 3 is a top plan view thereof;

FIG. 4 is a reduced left-side view thereof;

FIG. 5 is a reduced right-side view thereof; and,

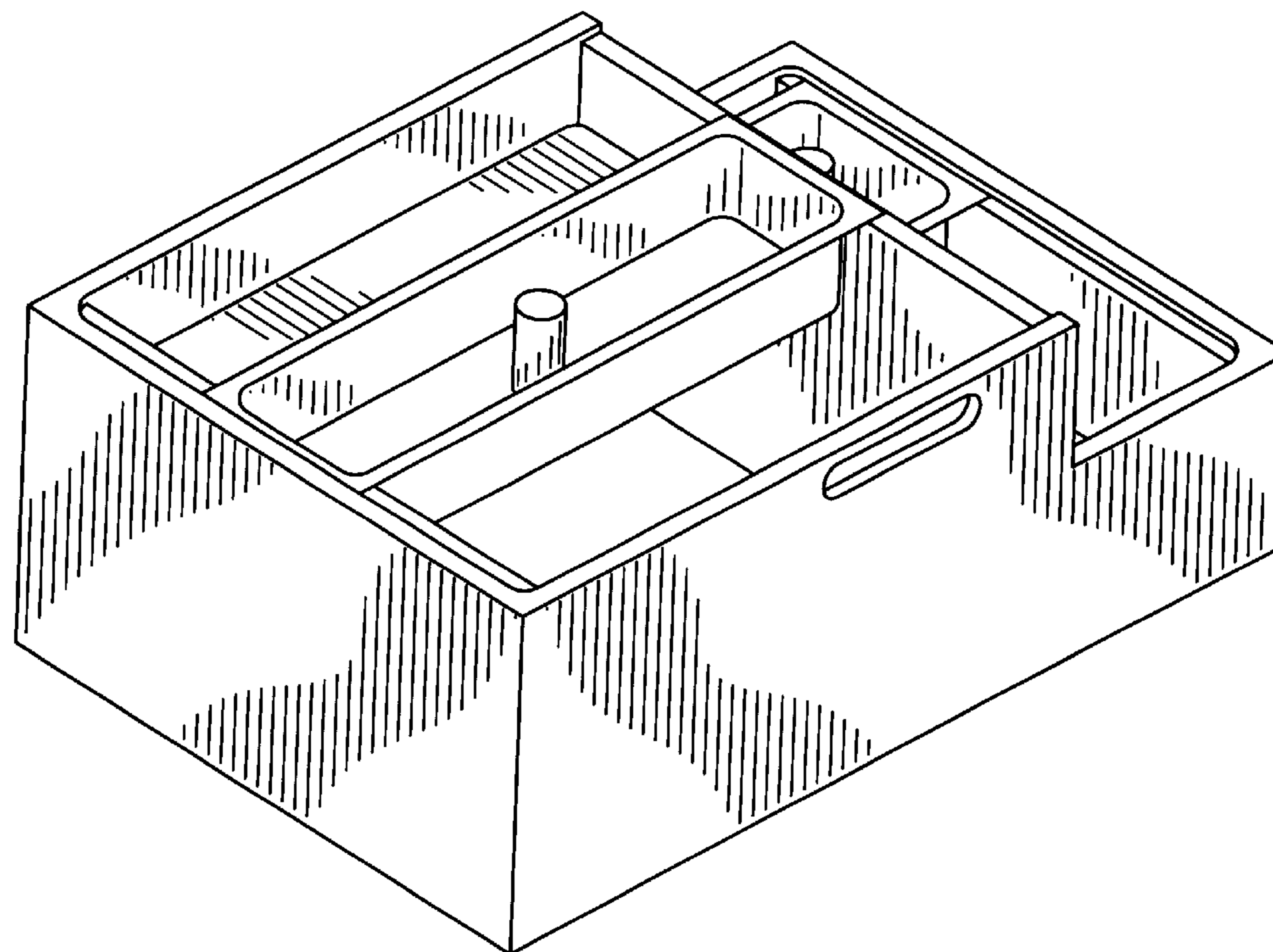
FIG. 6 is a front elevational view of that which is shown in
FIG. 1.

(56) **References Cited**

U.S. PATENT DOCUMENTS

D106,419 S * 10/1937 Barber D15/89
D160,744 S * 10/1950 Rizzuto D3/313

1 Claim, 3 Drawing Sheets



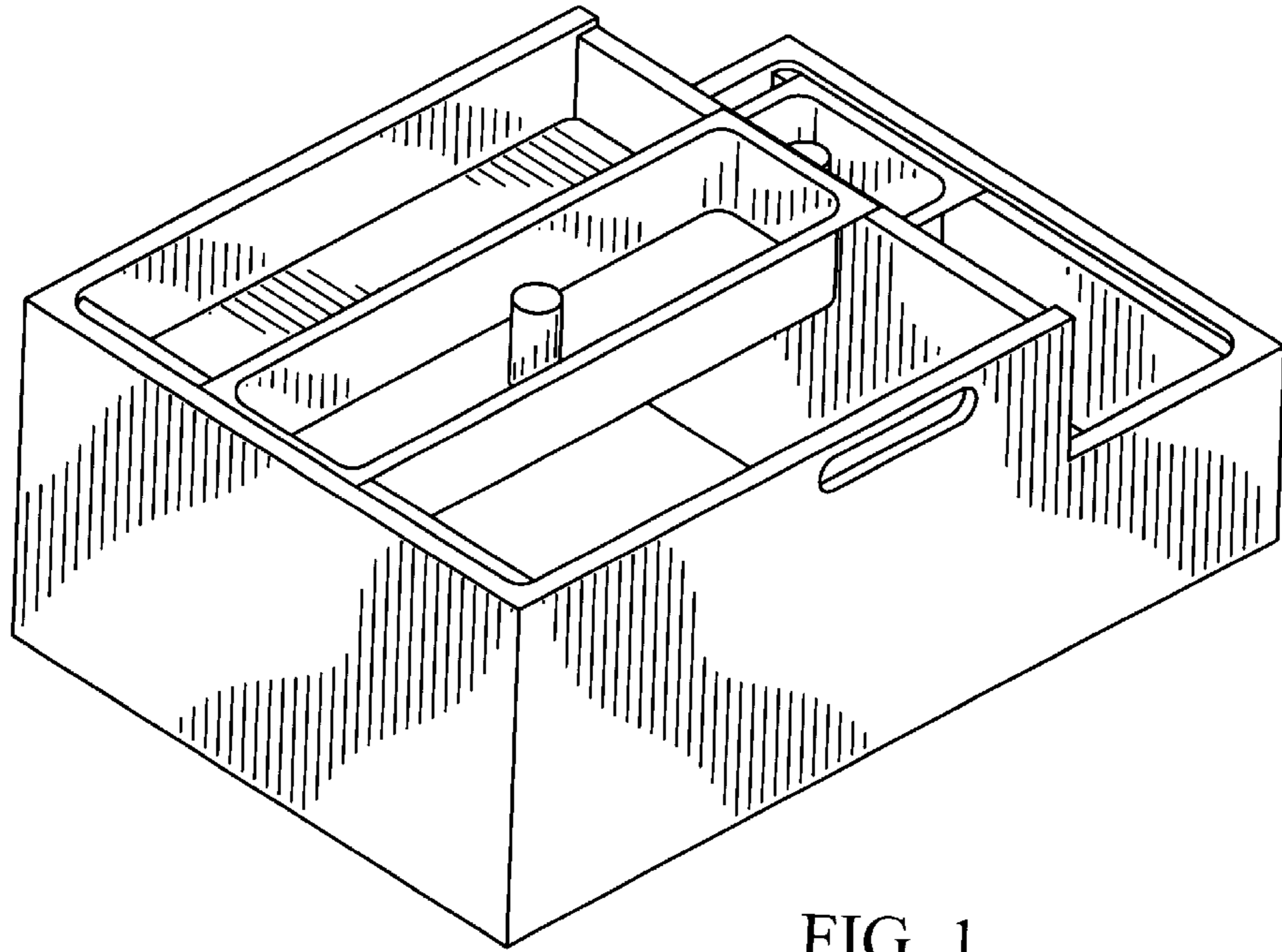


FIG. 1

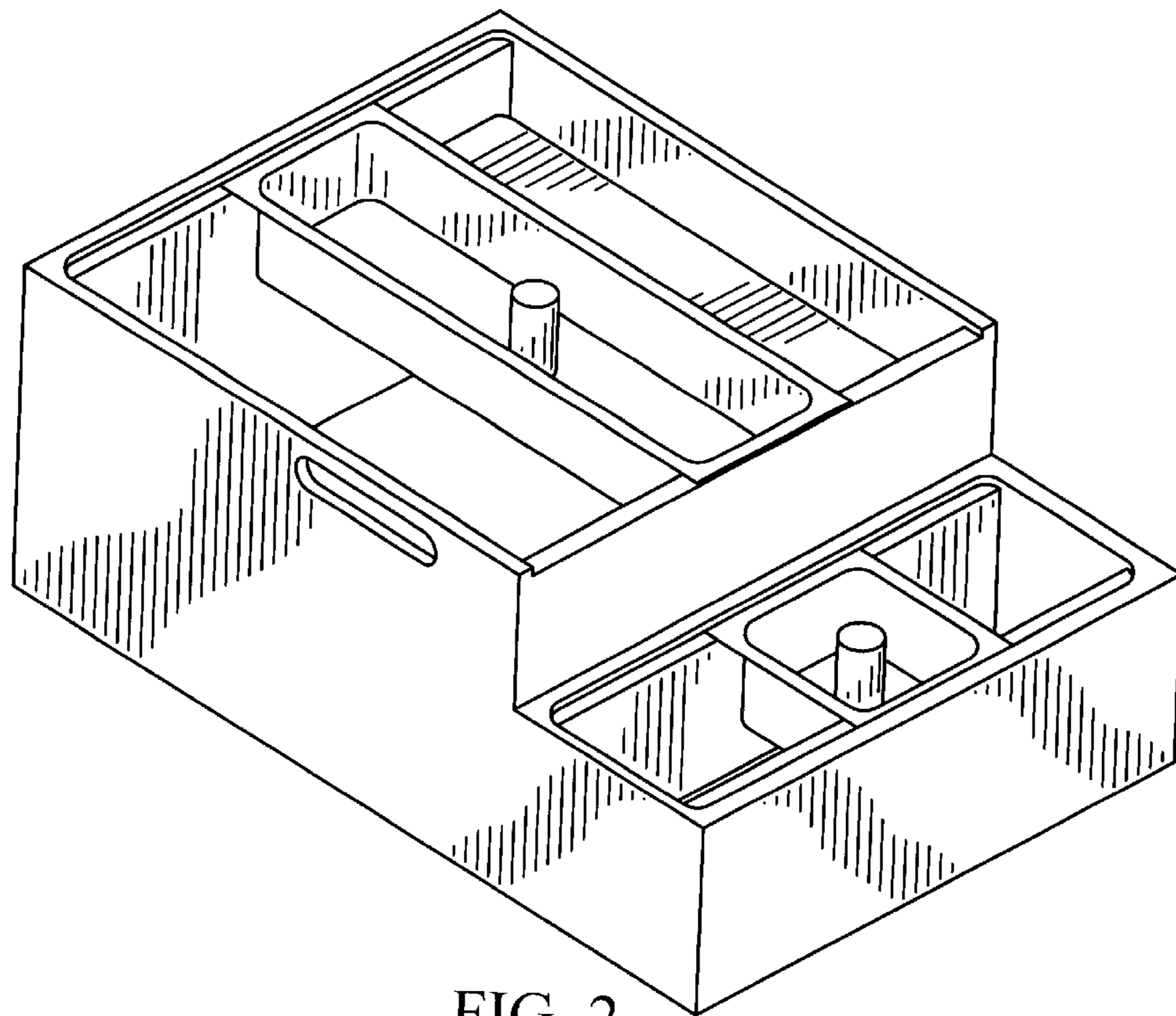


FIG. 2

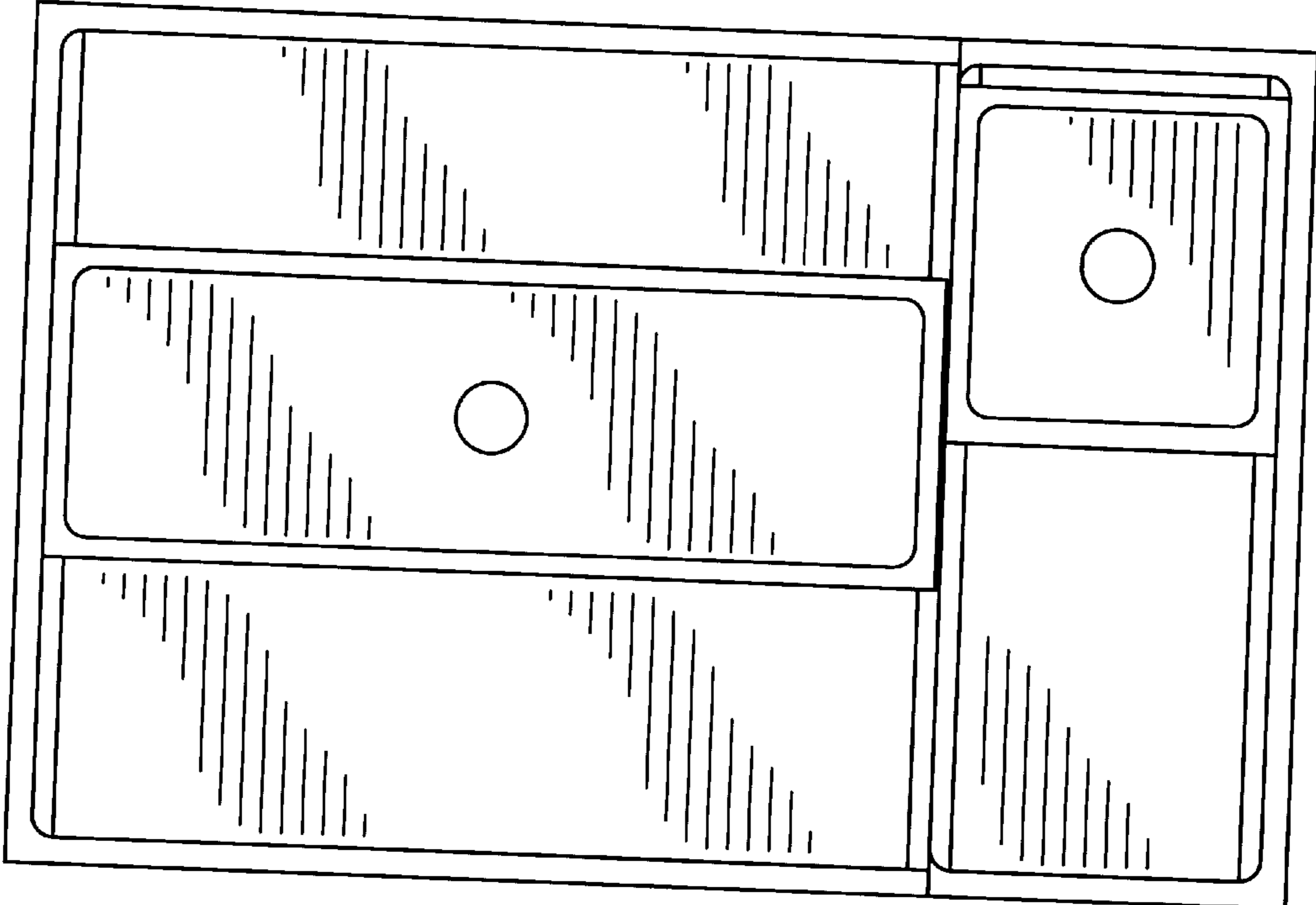


FIG. 3

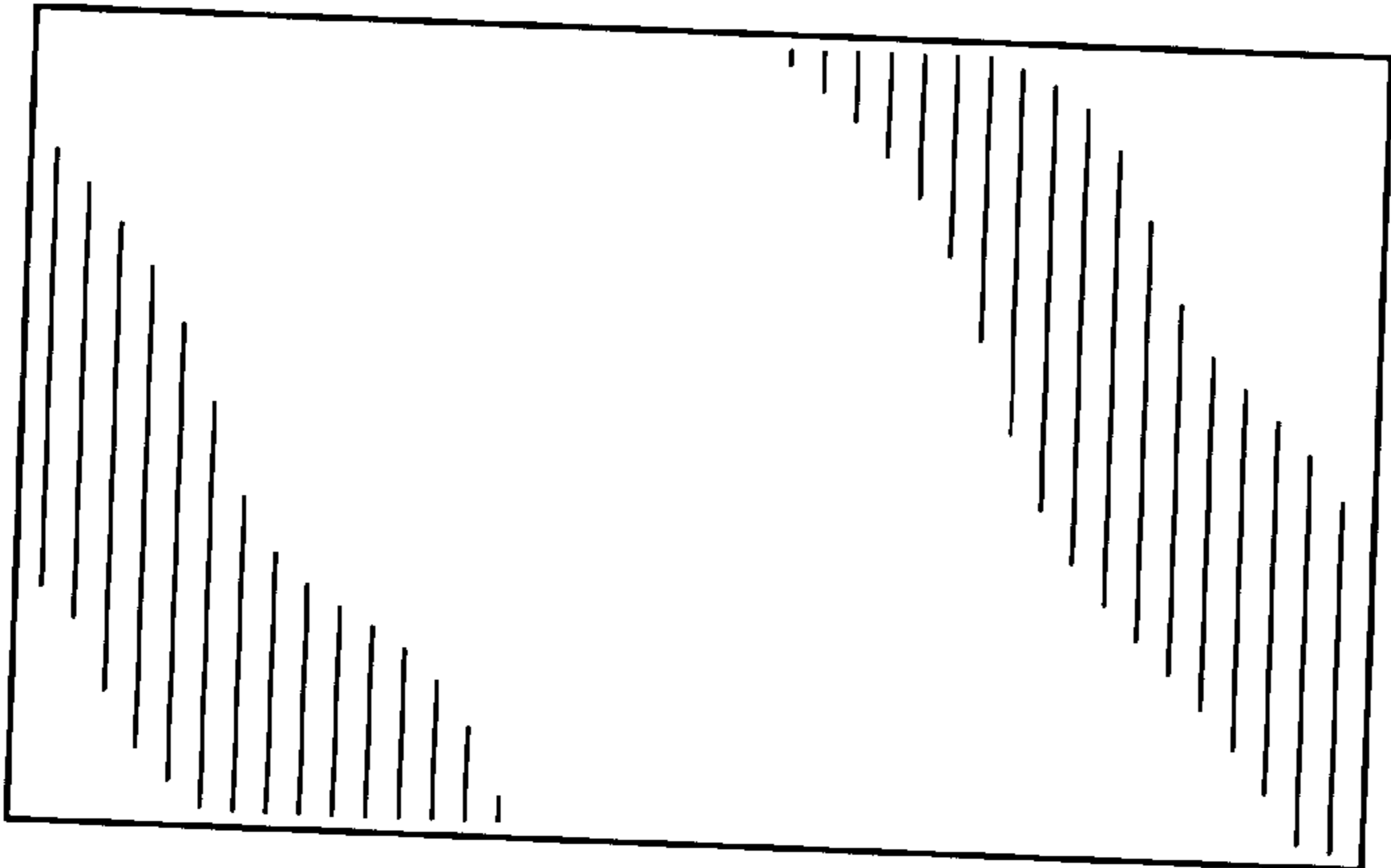


FIG. 4

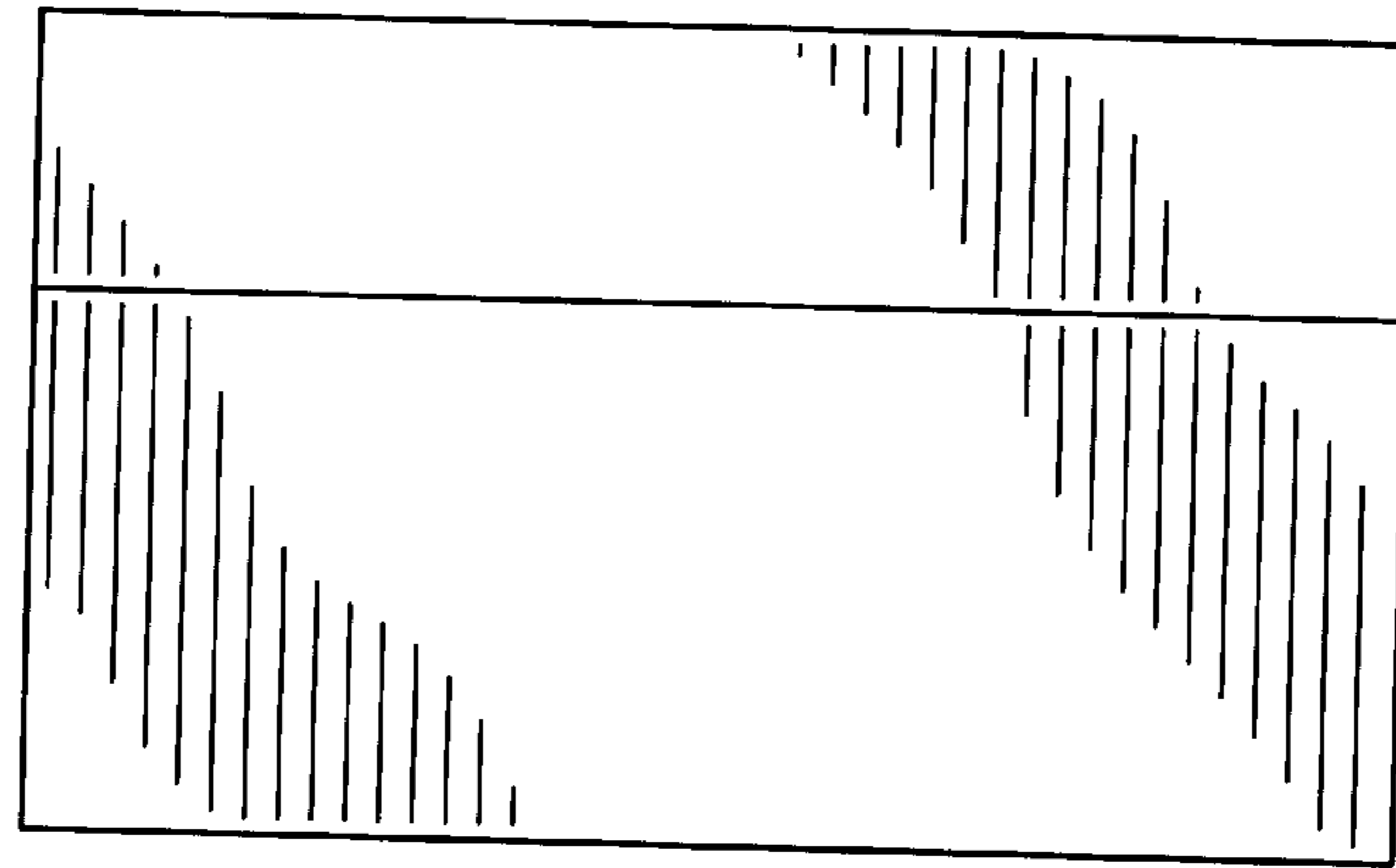


FIG. 5

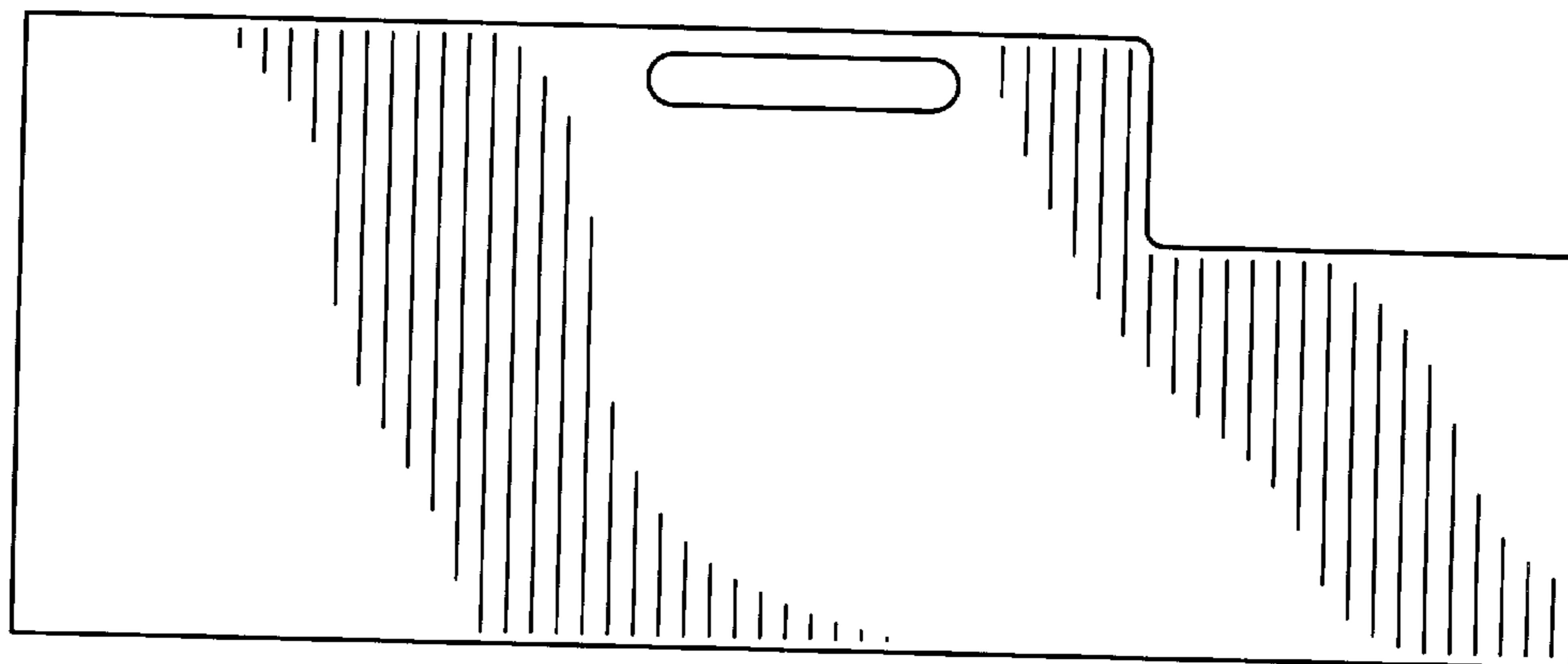


FIG. 6