



US00D513016S

(12) **United States Design Patent** (10) **Patent No.:** **US D513,016 S**  
**Aldous et al.** (45) **Date of Patent:** **\*\* Dec. 20, 2005**

(54) **SINGLE REFRIGERATOR DRAWER**

(75) Inventors: **Tania L. Aldous**, St. Joseph, MI (US);  
**Michael T. Seum**, St. Joseph, MI (US);  
**Philip M. Thompson**, St. Joseph, MI  
(US); **Karen E. Schoudt**, St. Joseph,  
MI (US)

(73) Assignee: **Whirlpool Corporation**, Benton  
Harbor, MI (US)

(\*\*) Term: **14 Years**

(21) Appl. No.: **29/205,705**

(22) Filed: **May 19, 2004**

(51) **LOC (6) Cl.** ..... **15-01**

(52) **U.S. Cl.** ..... **D15/89**

(58) **Field of Search** ..... D15/79, 82, 85,  
D15/89-91; D6/387, 510; D7/550.1, 554.3,  
601-603; 62/382; 312/270.3, 402-404

(56) **References Cited**

**U.S. PATENT DOCUMENTS**

2,306,802 A \* 12/1942 Harbison ..... 62/382  
D229,143 S \* 11/1973 Holmes ..... D6/510  
D248,361 S \* 7/1978 Trombly ..... D7/603

D275,500 S \* 9/1984 Tyke ..... D6/510  
4,729,613 A \* 3/1988 Tromble et al. .... 312/270.3  
4,960,308 A \* 10/1990 Donaghy ..... 312/404  
5,044,704 A \* 9/1991 Bussan et al. .... 312/402  
D358,403 S \* 5/1995 Edman et al. .... D15/89

\* cited by examiner

*Primary Examiner*—Stella Reid

*Assistant Examiner*—Shanda C. Hill

(74) *Attorney, Agent, or Firm*—Robert O. Rice; John F.  
Colligan; Stephen Krefman

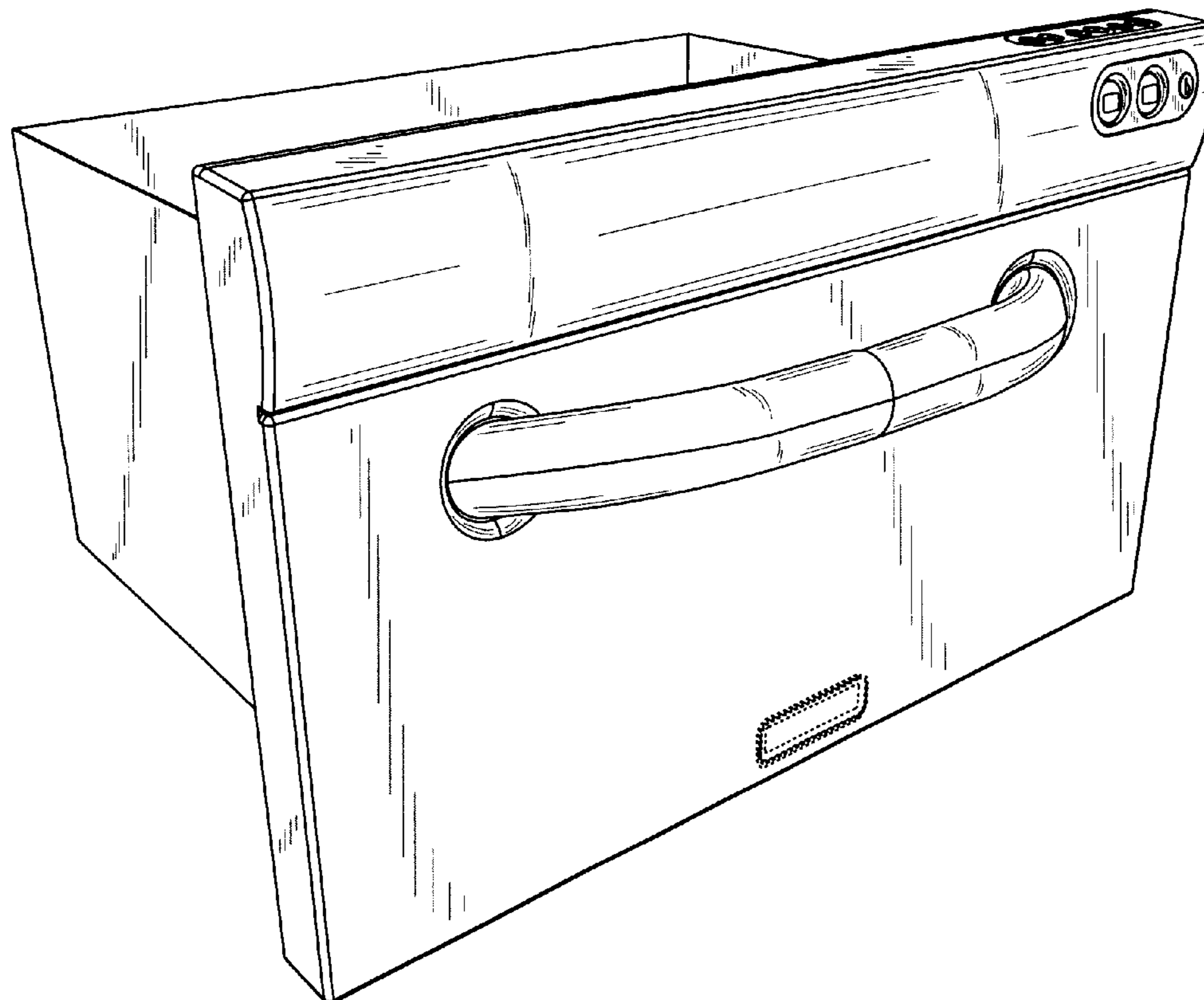
(57) **CLAIM**

The ornamental design for single refrigerator drawer, as  
shown and described.

**DESCRIPTION**

FIG. 1 is a front perspective view of a single refrigerator  
drawer showing our new design;  
FIG. 2 is a front elevational view thereof;  
FIG. 3 is a right side elevational view with the left side being  
a mirror image thereof; and,  
FIG. 4 is a top plan view thereof.  
The broken lines shown in FIGS. 1, 2, and 3 are for  
illustrative purpose only and forms no part of the claimed  
design.

**1 Claim, 4 Drawing Sheets**



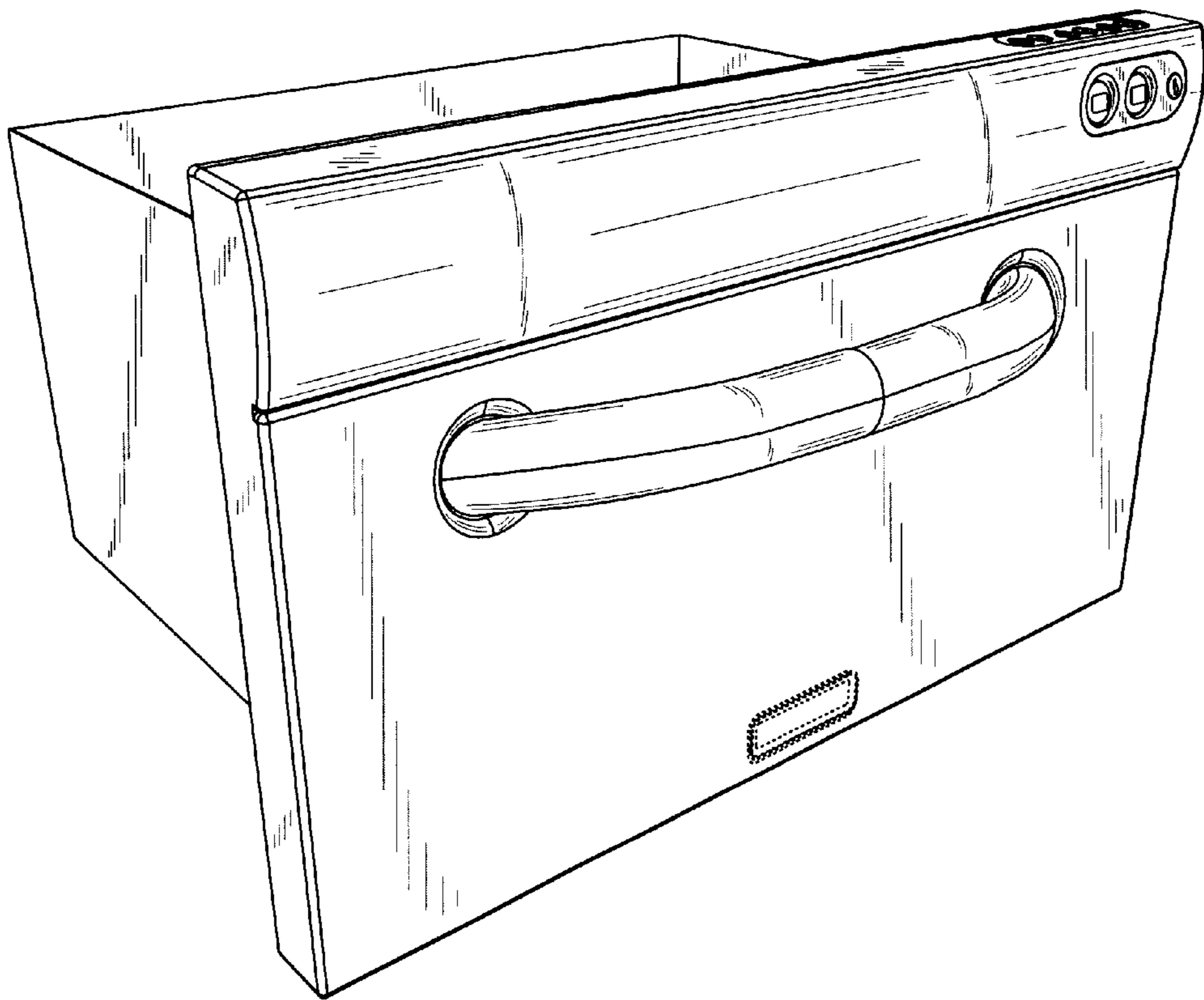


Fig. 1

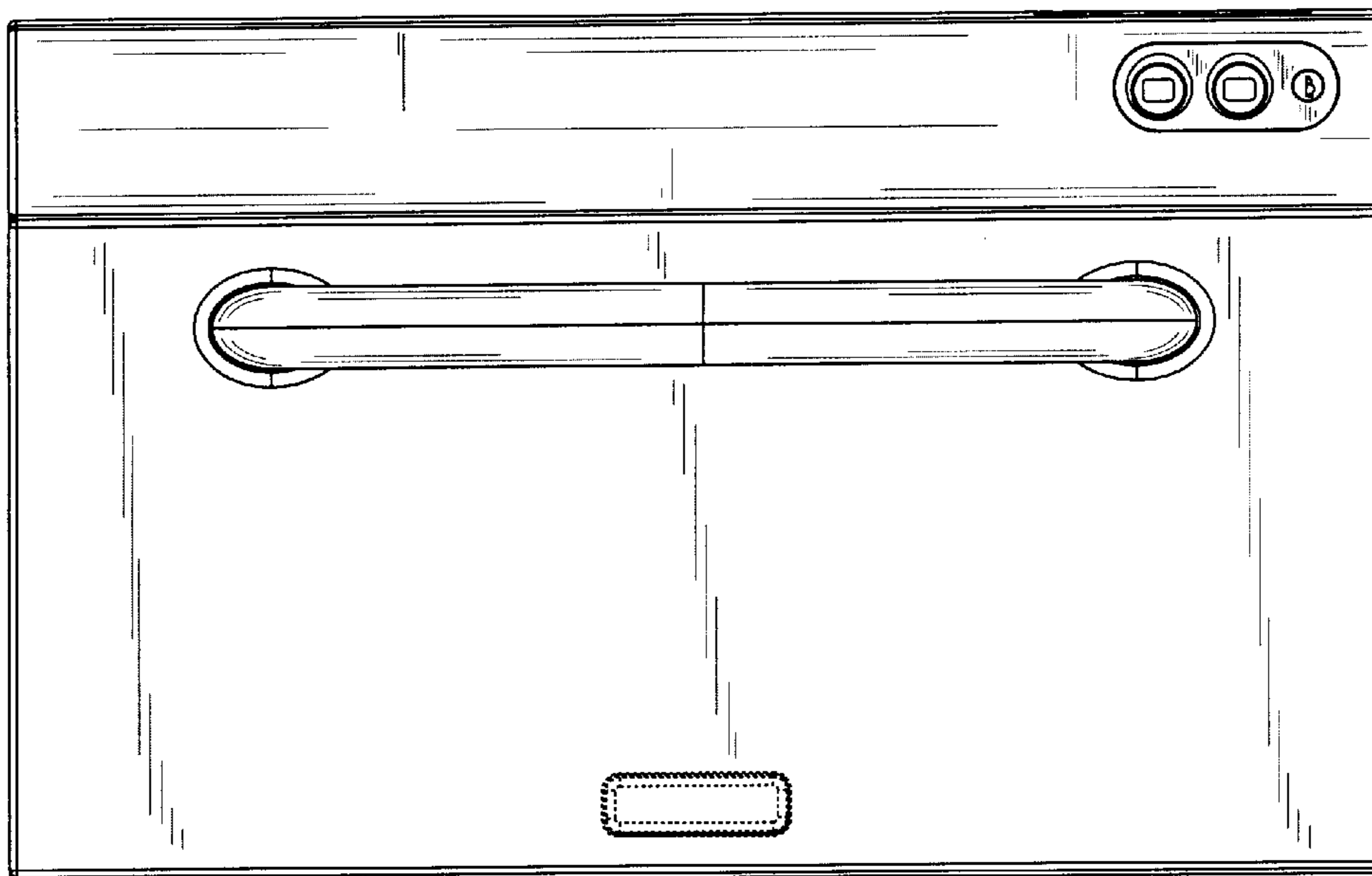
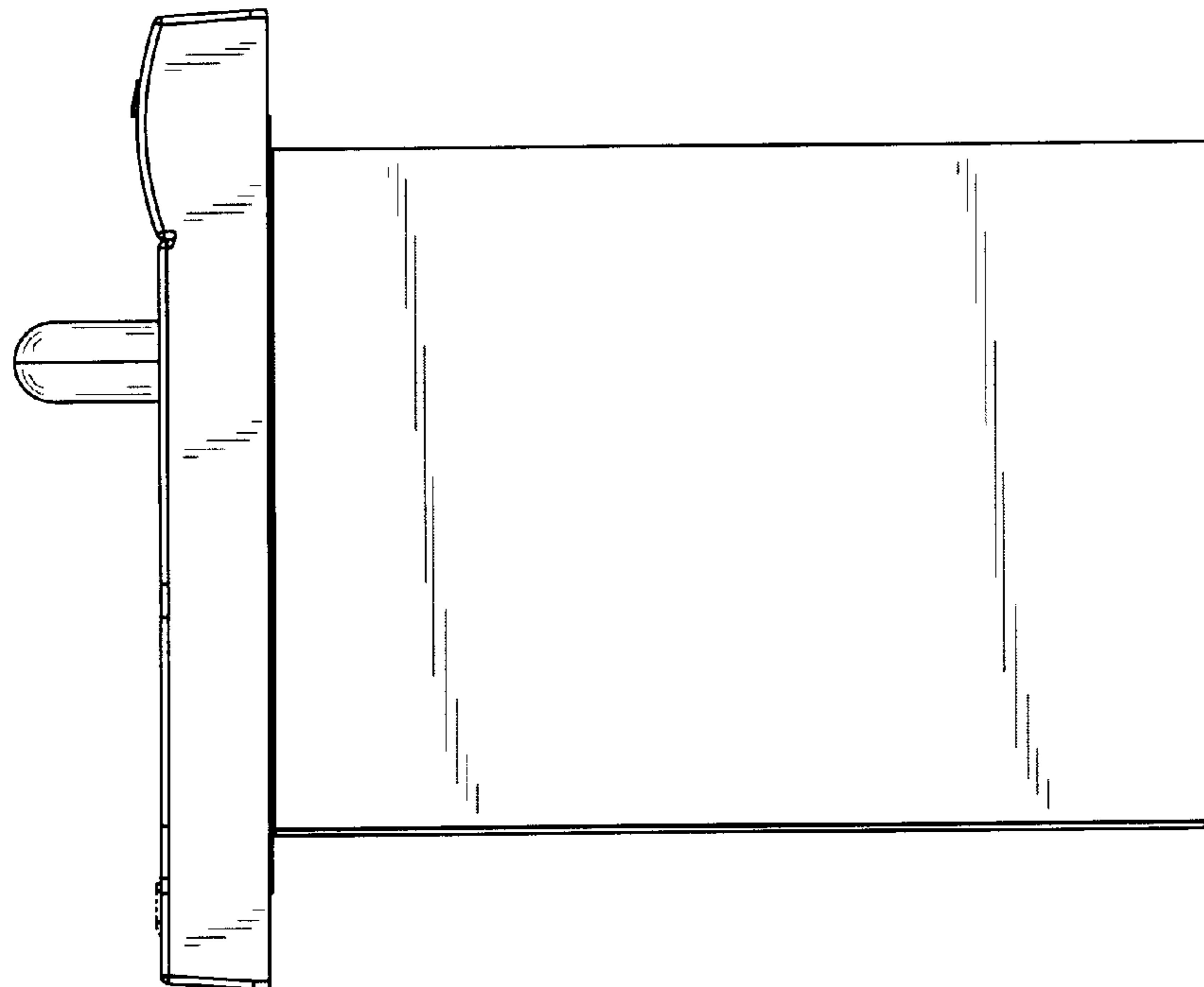


Fig. 2



**Fig. 3**

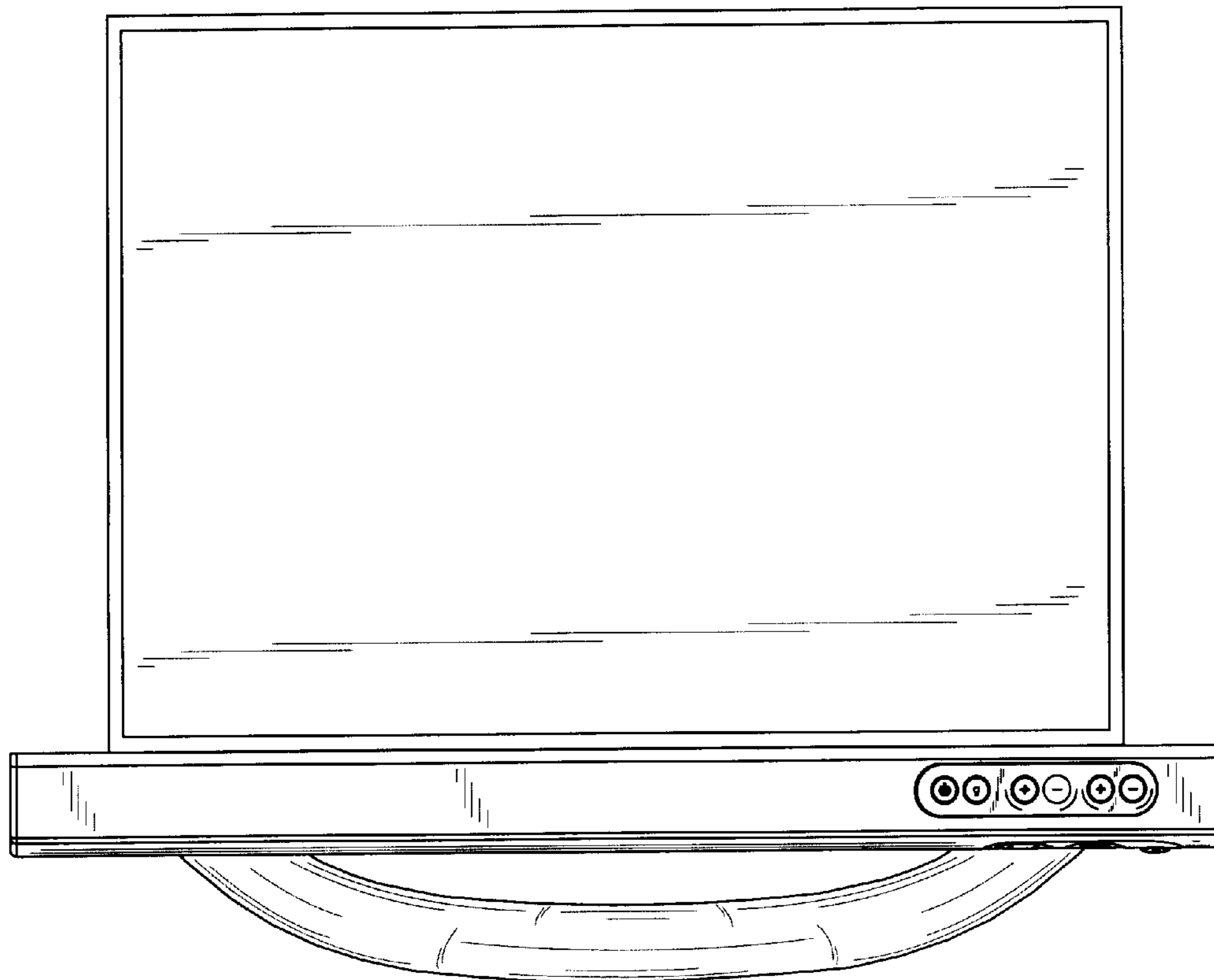


Fig. 4