



US00D513013S

(12) **United States Design Patent** (10) **Patent No.:** **US D513,013 S**
Fujiki et al. (45) **Date of Patent:** **** Dec. 20, 2005**

(54) **SPIRAL WING SHAFT FOR MIXERS**
(75) **Inventors:** **Terumi Fujiki**, Fuchu (JP); **Yoshihiro Kuroda**, Fuchu (JP); **Hiroki Miyagaki**, Fuchu (JP)

4,157,872 A * 6/1979 Davido, Sr. 366/64
4,188,127 A * 2/1980 Pawley 366/44
4,448,536 A * 5/1984 Strong 366/66
D287,132 S * 12/1986 Forbes D15/19
6,149,291 A * 11/2000 Christenson 366/59

(73) **Assignee:** **Kitagawa Iron Works Co. Ltd.**, Fuchu (JP)

FOREIGN PATENT DOCUMENTS

(**) **Term:** **14 Years**

DE 197 03 495 C2 1/1999

(21) **Appl. No.:** **29/207,771**

* cited by examiner

(22) **Filed:** **Jun. 17, 2004**

Primary Examiner—Mitchell Siegel
Assistant Examiner—Mark A. Goodwin

(30) **Foreign Application Priority Data**

Dec. 17, 2003 (JP) 2003-037282

(74) *Attorney, Agent, or Firm*—Frishauf, Holtz, Goodman & Chick, P.C.

(51) **LOC (6) Cl.** **15-03**

(57) **CLAIM**

The ornamental design for a spiral wing shaft for mixers, as shown and described.

(52) **U.S. Cl.** **D15/19**

DESCRIPTION

(58) **Field of Search** D15/17, 19, 21,
D15/28, 29, 32, 11; 366/341, 343, 57, 59,
45, 227, 229, 64, 325, 320, 603, 42, 44,
56, 66; 417/317; 99/467

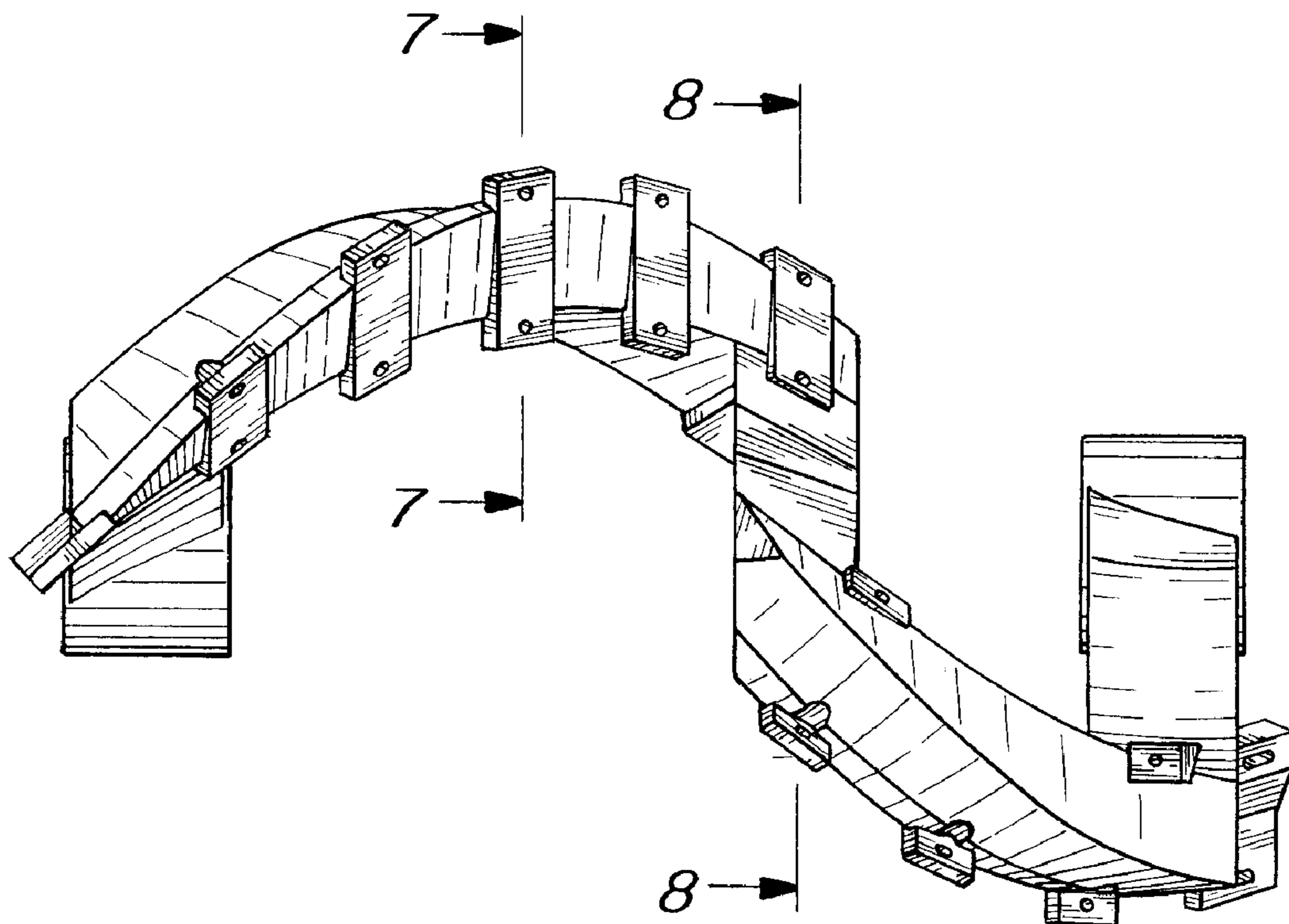
FIG. 1 is a front view of a spiral wing shaft for mixers showing our new design;
FIG. 2 is a rear view thereof;
FIG. 3 is a top plan view thereof;
FIG. 4 is a bottom plan view thereof;
FIG. 5 is a right side view thereof;
FIG. 6 is a left side view thereof;
FIG. 7 is a cross-sectional view taken along line 7—7 in FIG. 1; and,
FIG. 8 is a cross-sectional view taken along line 8—8 in FIG. 1.

(56) **References Cited**

U.S. PATENT DOCUMENTS

912,125 A * 2/1909 Hassam 366/64
1,699,230 A * 1/1929 Eberling 366/42
2,495,379 A * 1/1950 McIntosh 366/56
3,327,634 A * 6/1967 Whiteman, Jr. 417/317
3,372,910 A * 3/1968 Estis 366/64
3,897,723 A * 8/1975 Lucy et al. 99/467

1 Claim, 4 Drawing Sheets



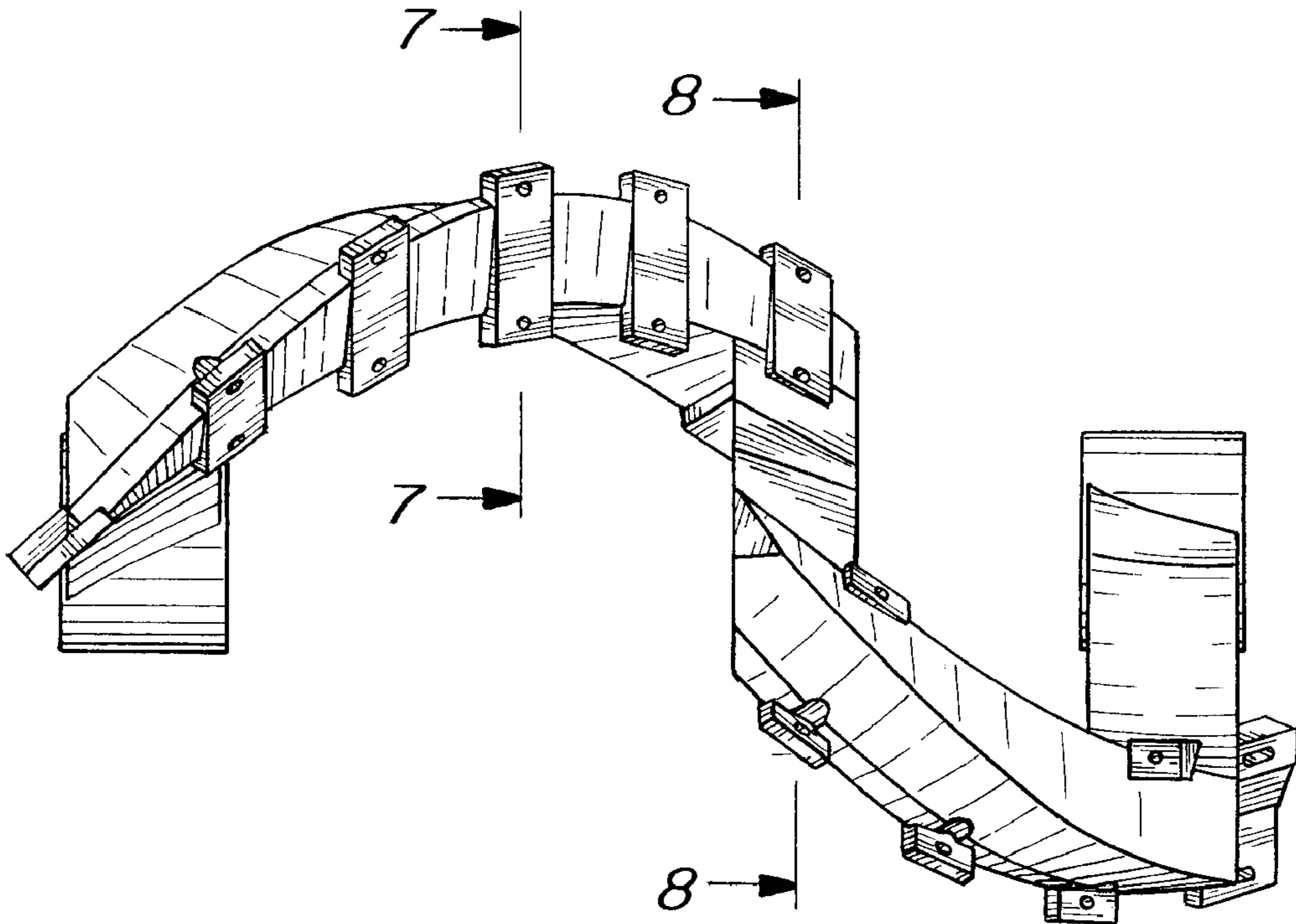


Fig. 1

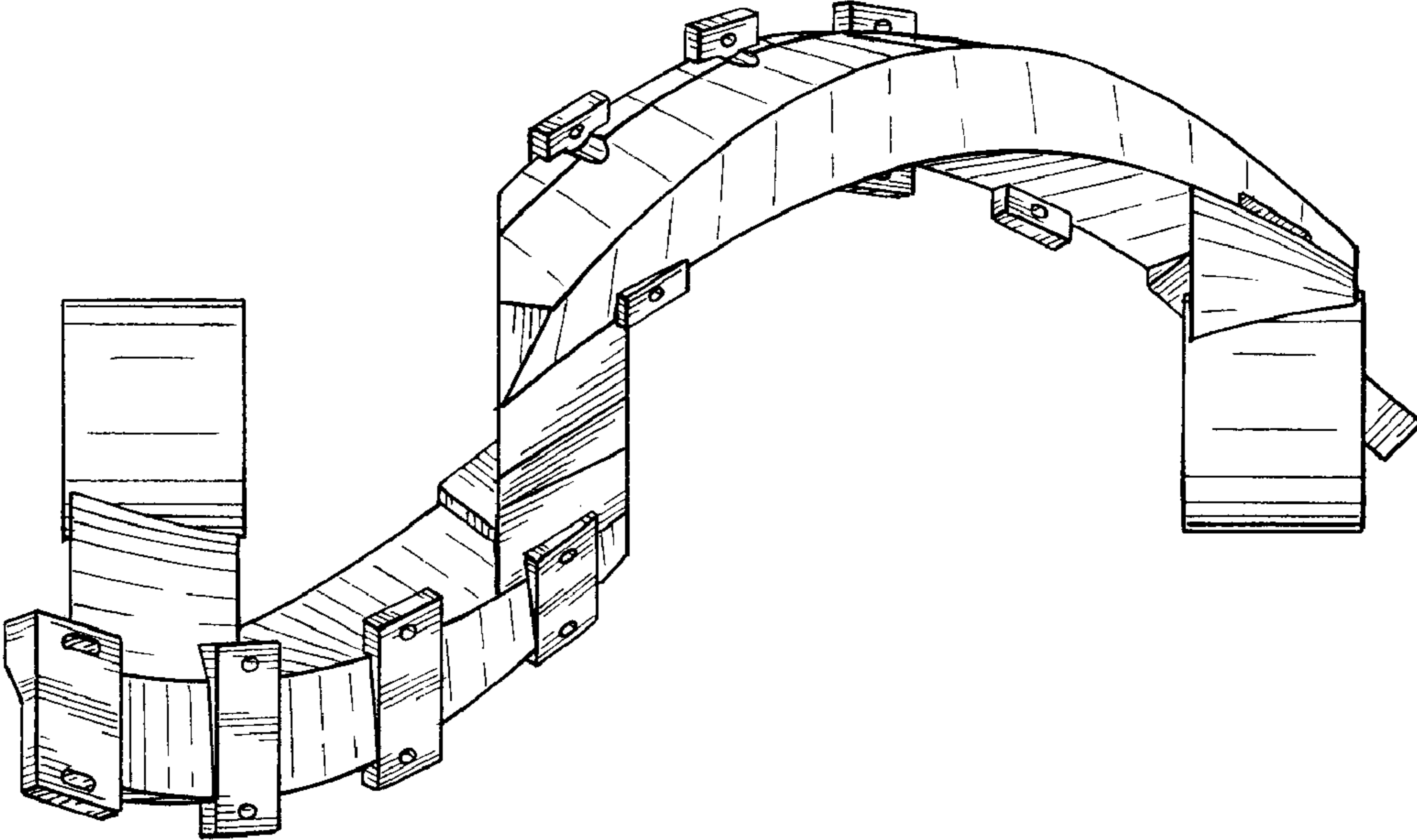


Fig. 2

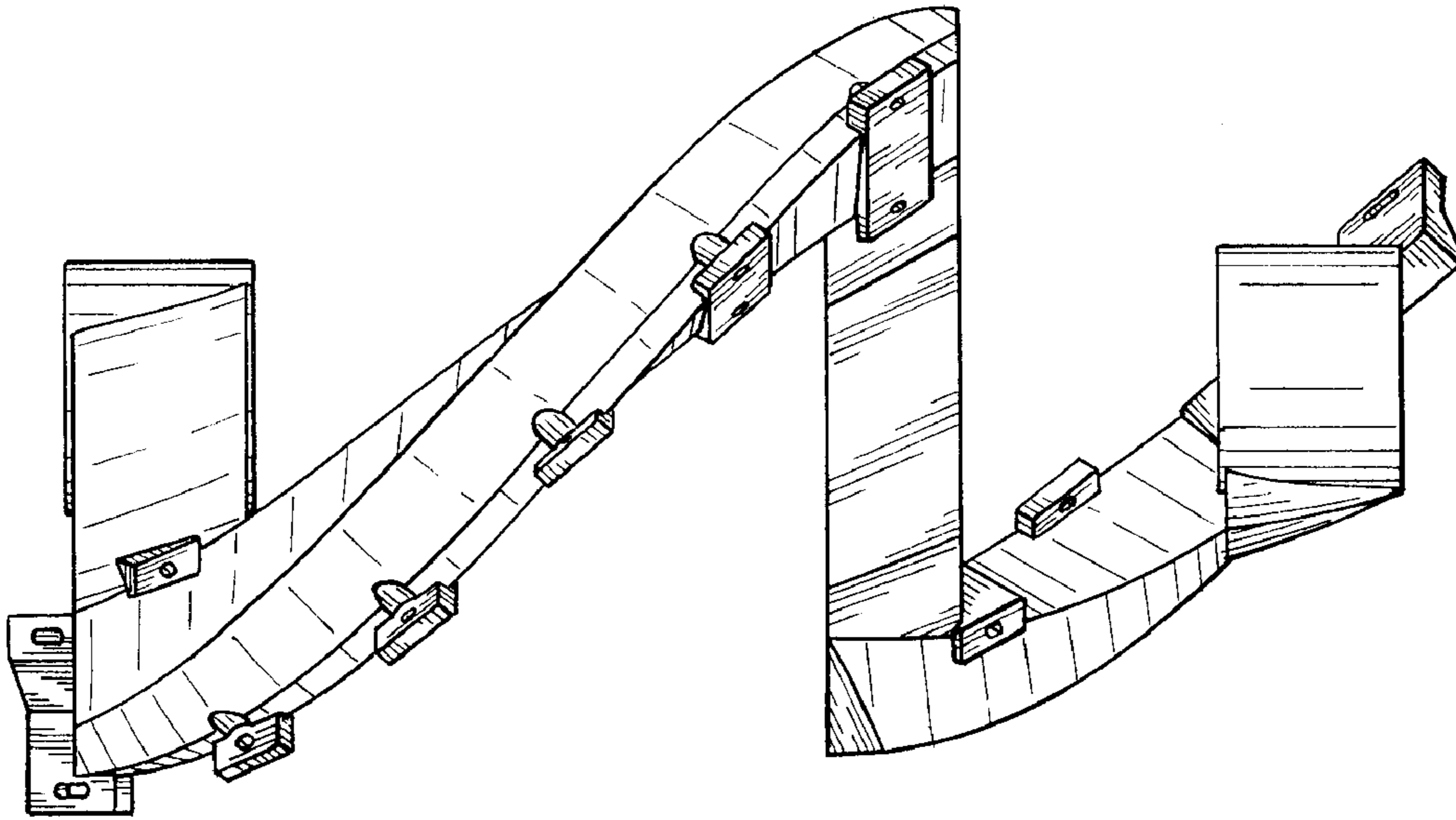


Fig. 3

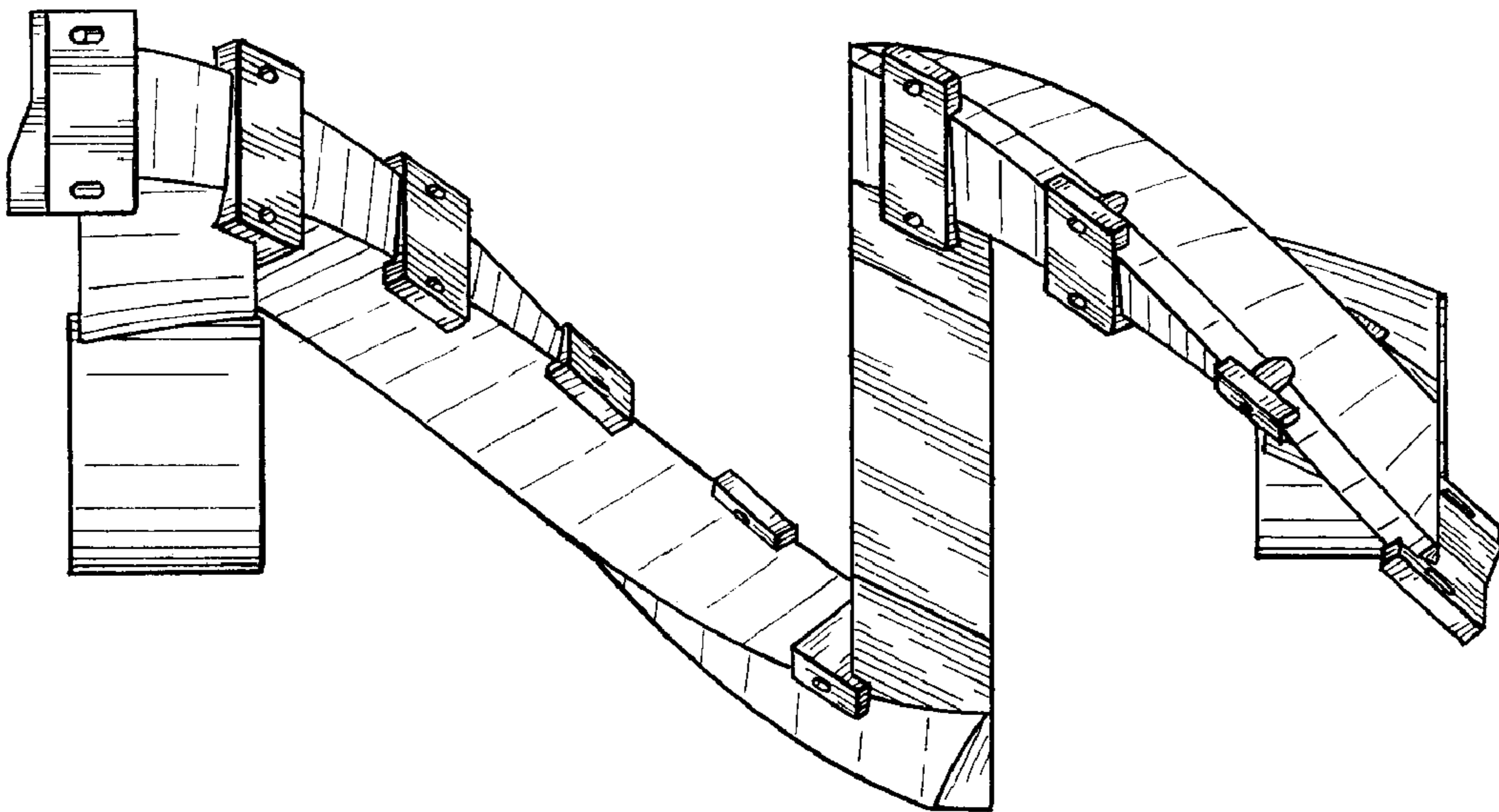


Fig. 4

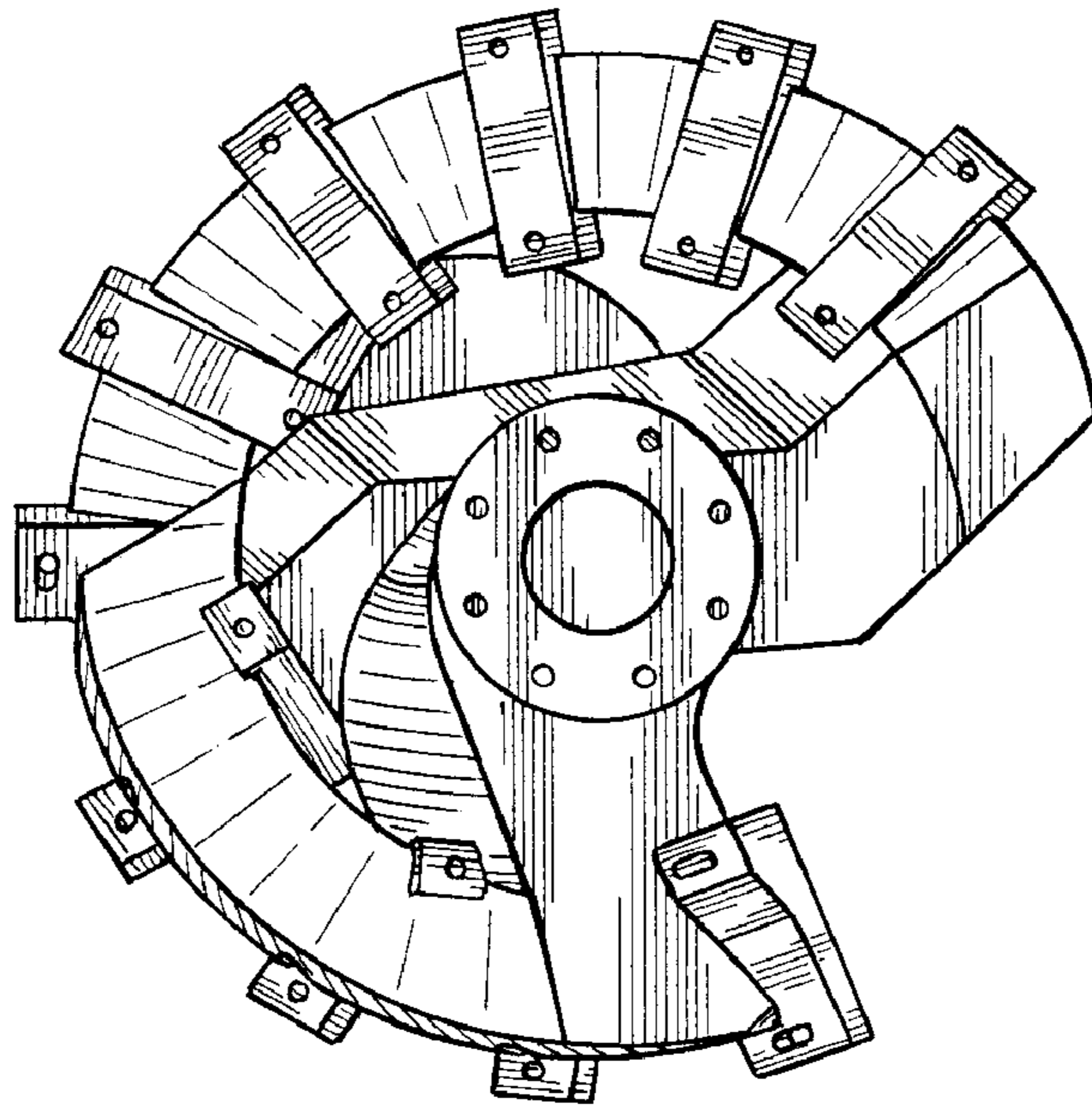


Fig. 5

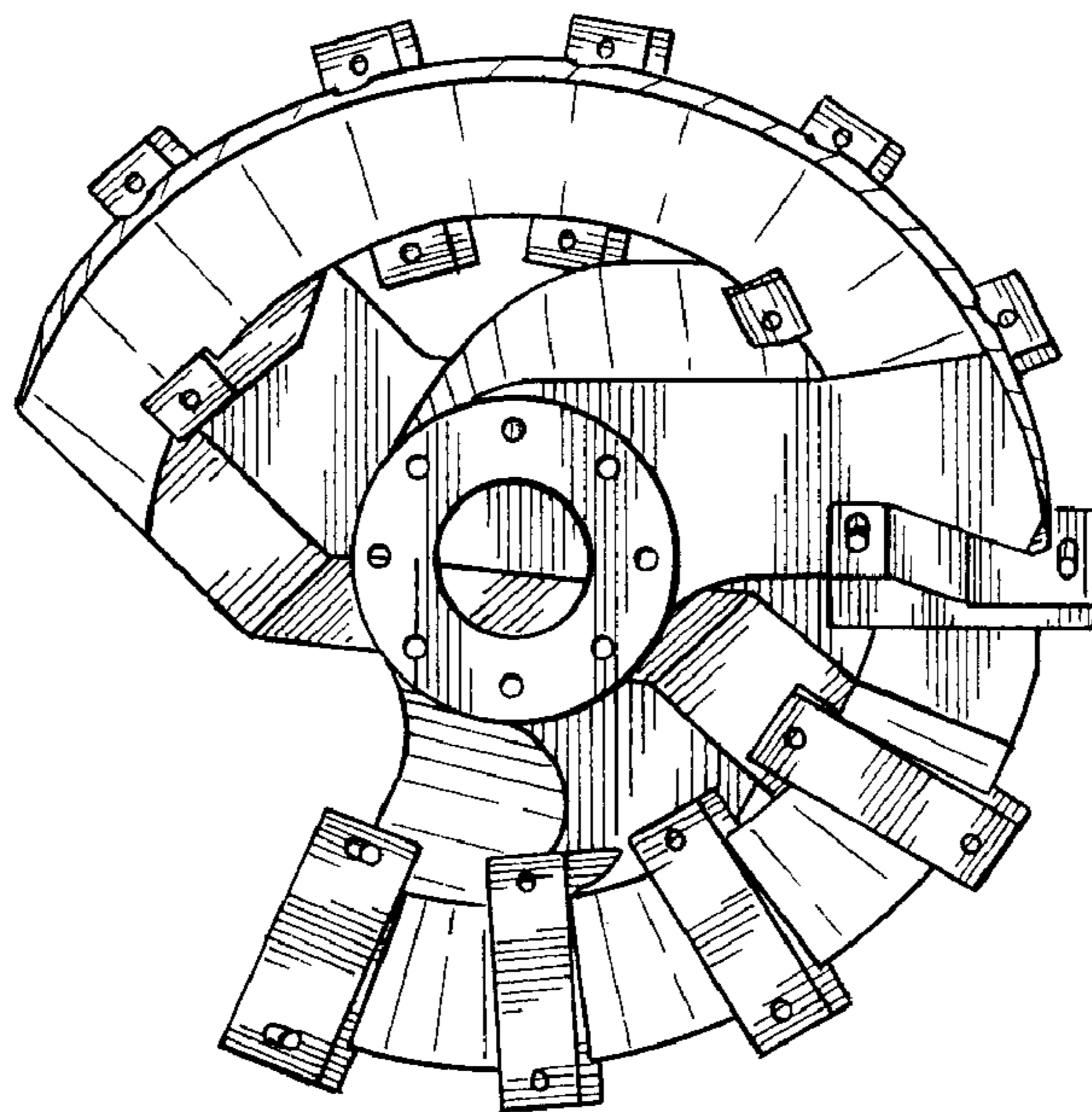


Fig. 6

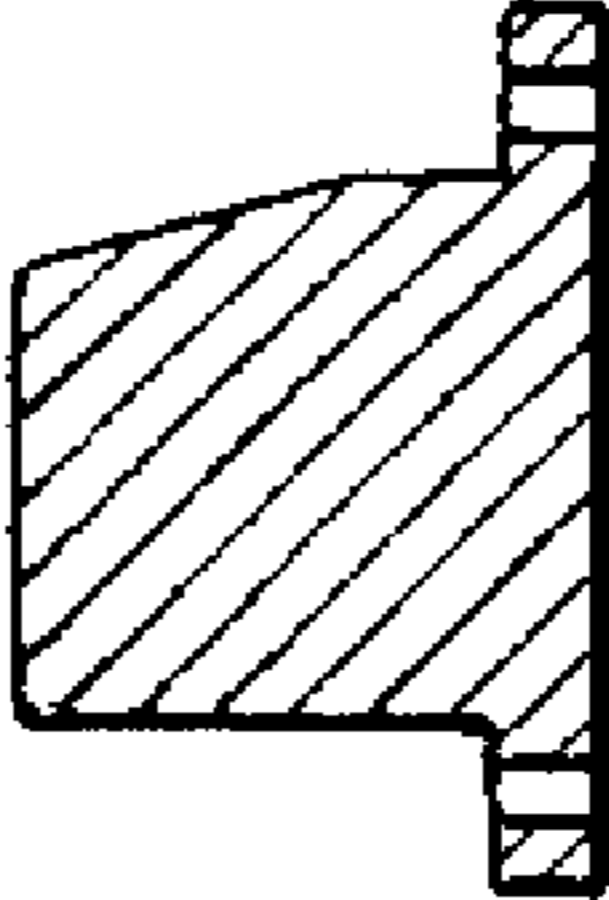


Fig. 7

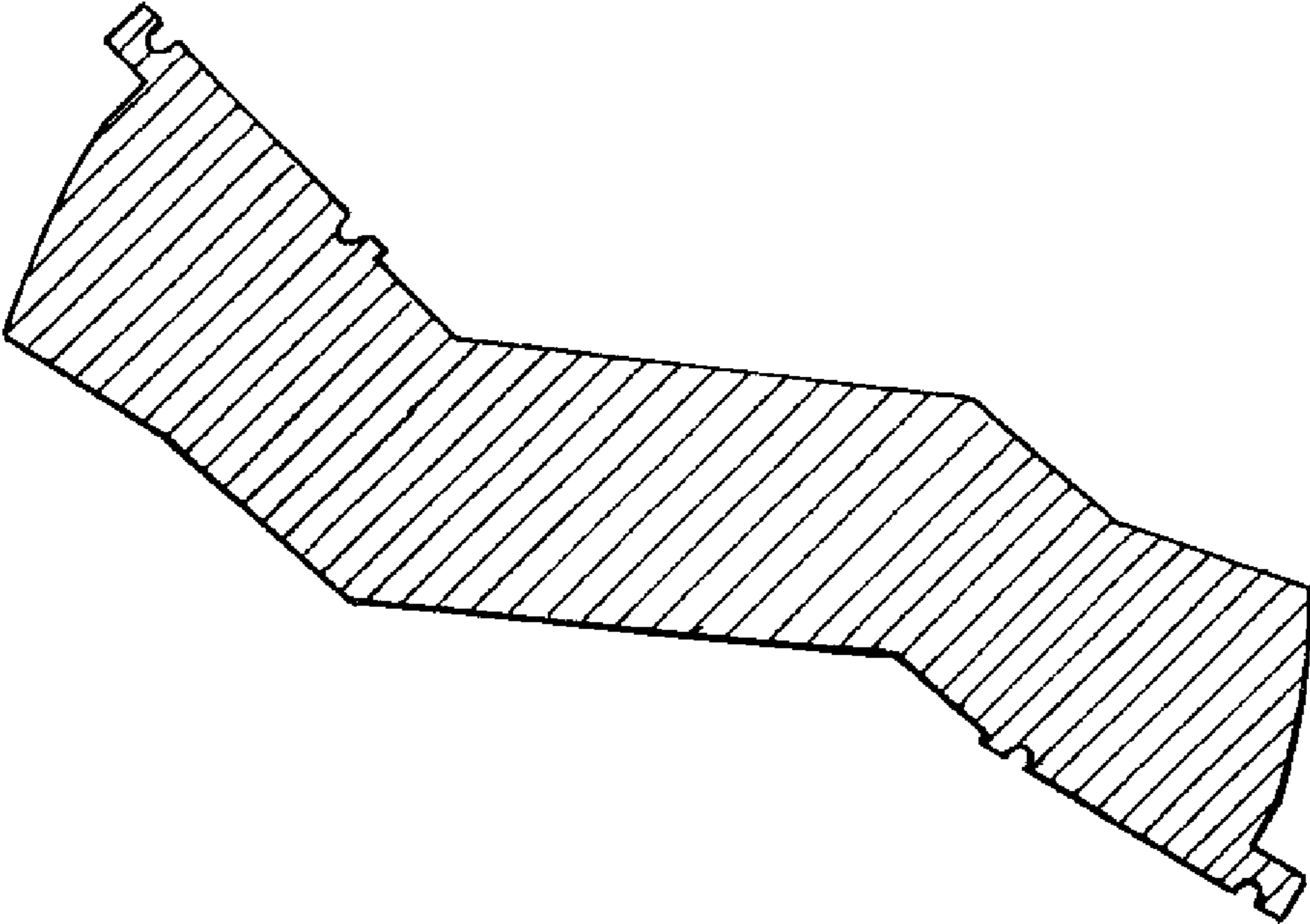


Fig. 8