



US00D513008S

(12) **United States Design Patent**
Takizawa et al.

(10) **Patent No.:** **US D513,008 S**

(45) **Date of Patent:** **** Dec. 20, 2005**

(54) **STAND FOR PERSONAL COMPUTER**

(75) Inventors: **Tomohiro Takizawa, Kawasaki (JP);
Mitsuhiko Kawami, Tokyo (JP)**

(73) Assignee: **Fujitsu Limited, Kawasaki (JP)**

(**) Term: **14 Years**

(21) Appl. No.: **29/212,288**

(22) Filed: **Aug. 31, 2004**

(30) **Foreign Application Priority Data**

Mar. 9, 2004 (JP) 2004-006951

(51) **LOC (6) Cl.** **08-07**

(52) **U.S. Cl.** **D14/447**

(58) **Field of Search** D14/447, 451,
D14/434, 375, 376; 248/441.1, 455, 460,
923, 371, 447, 393, 398, 122.1, 127, 133,
136; D6/300, 512, 310-312; 361/686; 108/10,
32; D19/91

(56) **References Cited**

U.S. PATENT DOCUMENTS

- 2,165,255 A * 7/1939 Hamilton 248/455
- D164,483 S * 9/1951 Flannery D19/91
- 3,332,399 A * 7/1967 Patrick et al. 248/441.1
- D221,191 S * 7/1971 Nutt D19/91
- D230,376 S * 2/1974 Andrew D19/91
- 4,044,980 A * 8/1977 Cummins 248/456
- D272,547 S * 2/1984 Gordon D19/91

- 4,496,127 A * 1/1985 Nelson 248/441.1
- 5,337,985 A * 8/1994 Hale 248/174
- D358,144 S * 5/1995 Masaaki D14/447
- 5,480,118 A * 1/1996 Cross 248/459
- 5,722,628 A * 3/1998 Menaged 248/441.1
- D395,640 S * 6/1998 Goodman et al. D14/447
- 5,918,848 A * 7/1999 Rini 248/441.1
- 6,231,023 B1 * 5/2001 Morton 248/441.1
- 6,435,466 B1 * 8/2002 Adams 248/455

* cited by examiner

Primary Examiner—Doris Clark

Assistant Examiner—Susan Moon Lee

(74) *Attorney, Agent, or Firm*—Staas & Halsey LLP

(57) **CLAIM**

The ornamental design for a stand for personal computer, as shown and described.

DESCRIPTION

FIG. 1 is a perspective view of the top, front and right side of a stand for personal computer showing our new design; FIG. 2 is a perspective view of the top, rear and right side thereof;

FIG. 3 is a front view thereof;

FIG. 4 is a rear view thereof;

FIG. 5 is a right side view thereof;

FIG. 6 is a left side view thereof;

FIG. 7 is a top plan view thereof;

FIG. 8 is a bottom view thereof; and,

FIG. 9 is a perspective view thereof in closed condition.

1 Claim, 9 Drawing Sheets

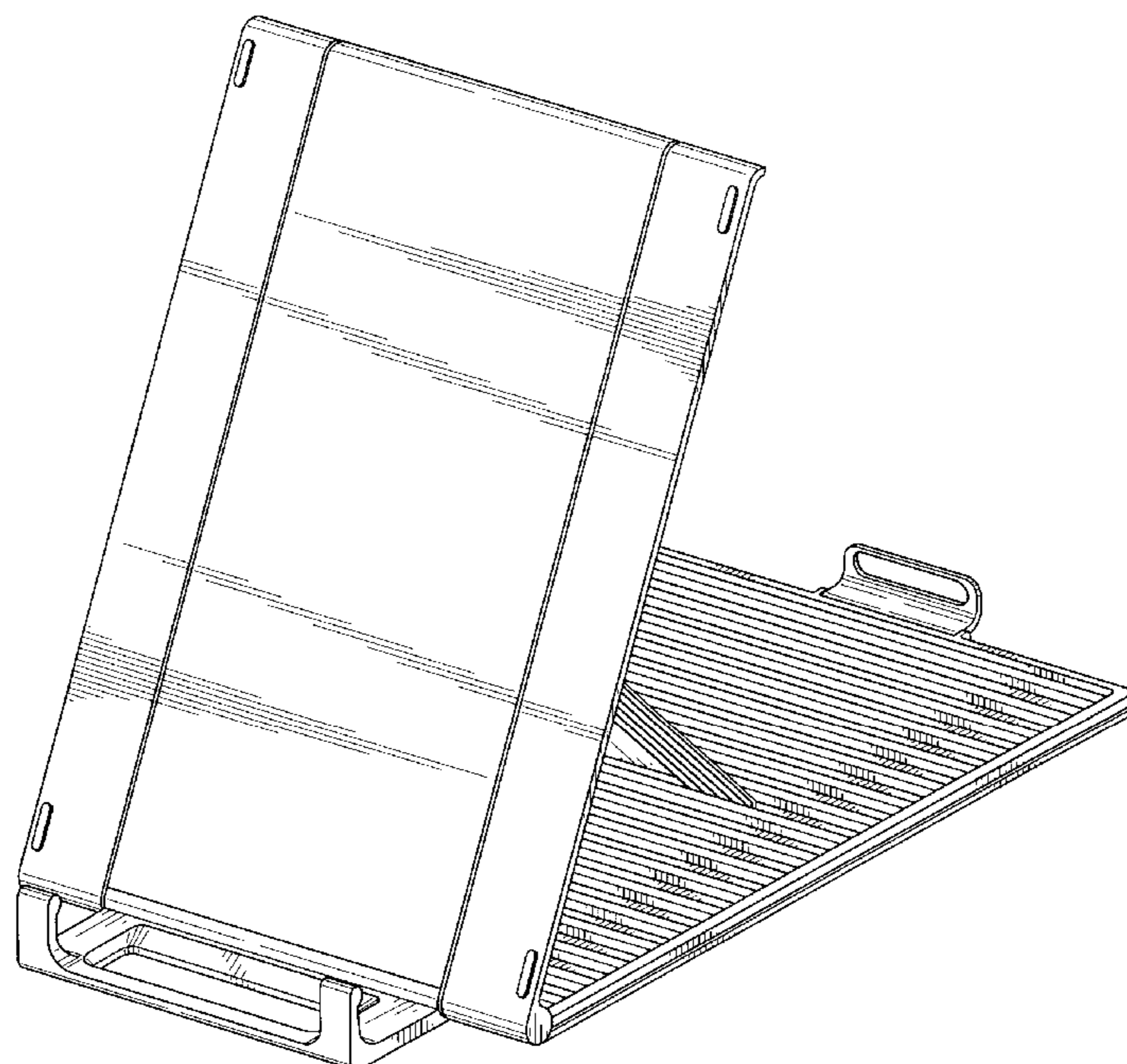


FIG. 1

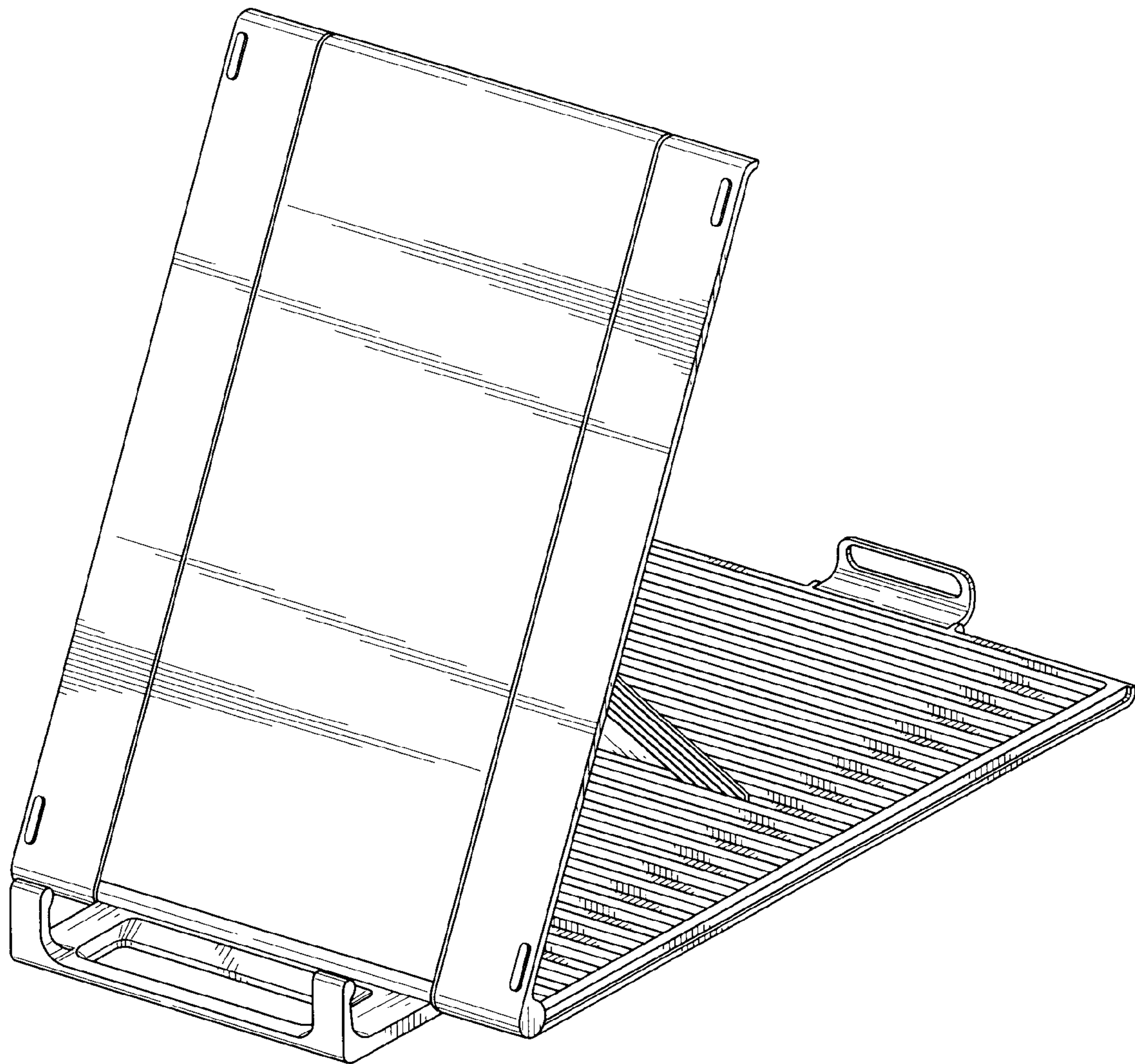


FIG. 2

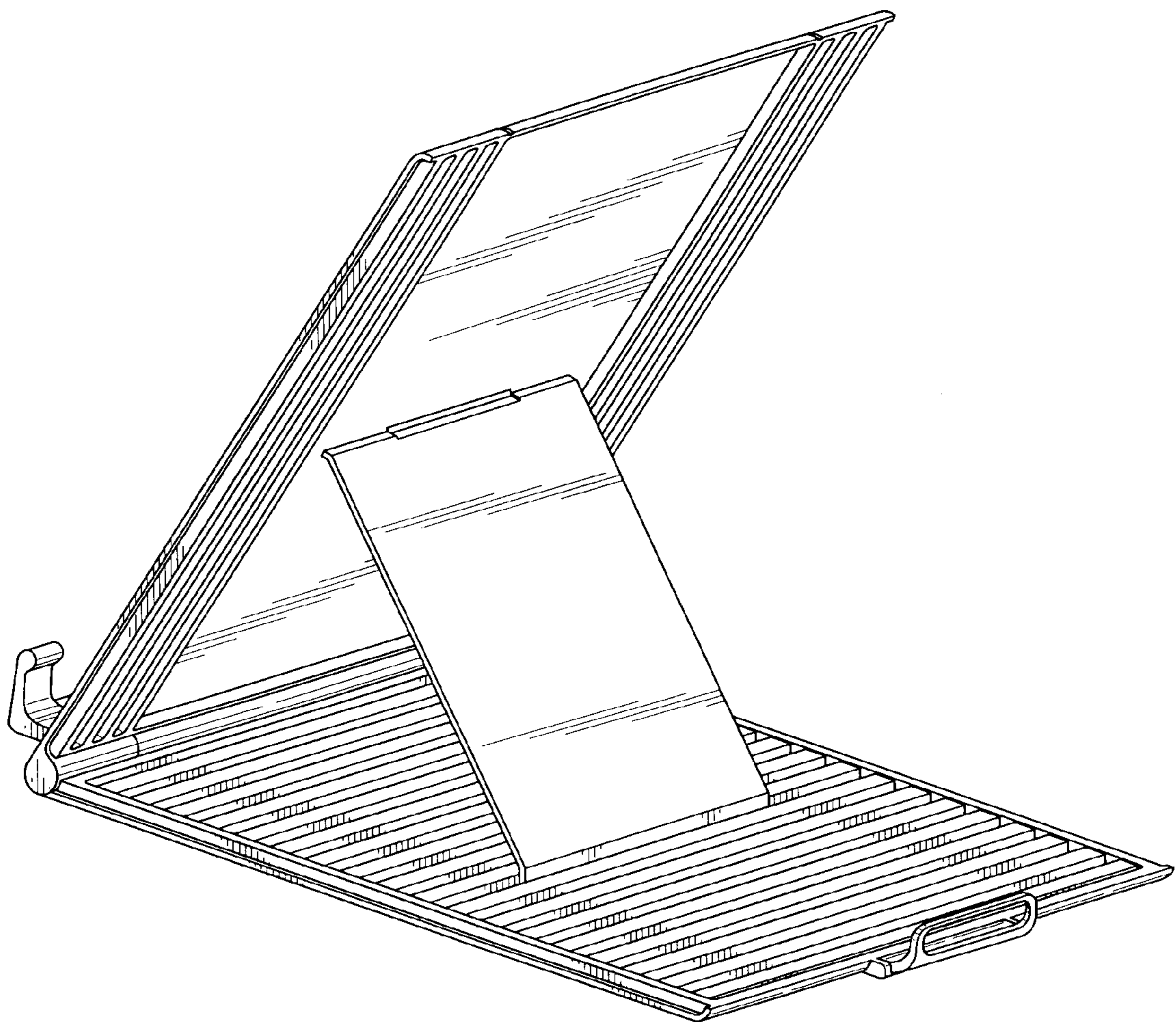


FIG. 3

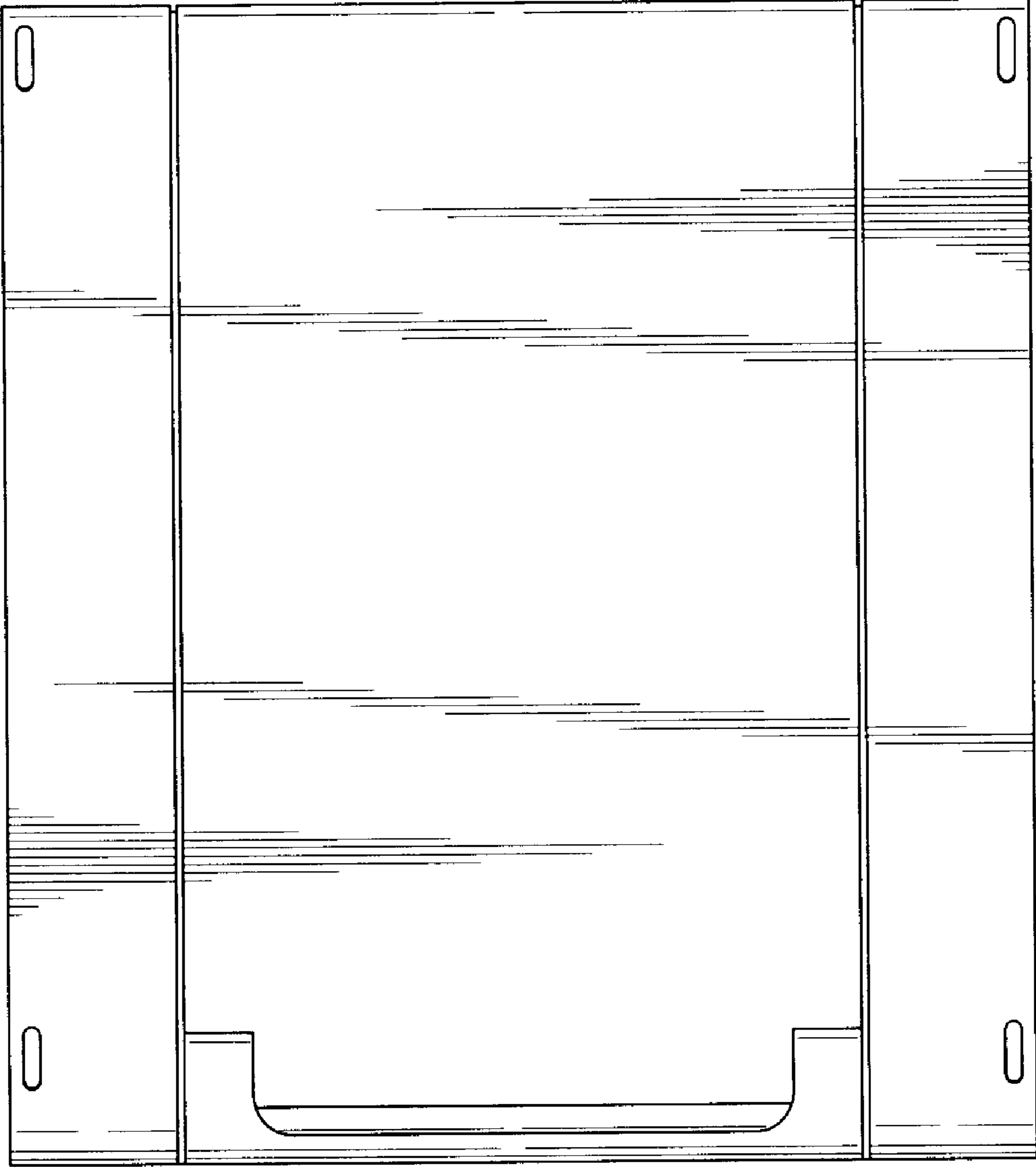


FIG. 4

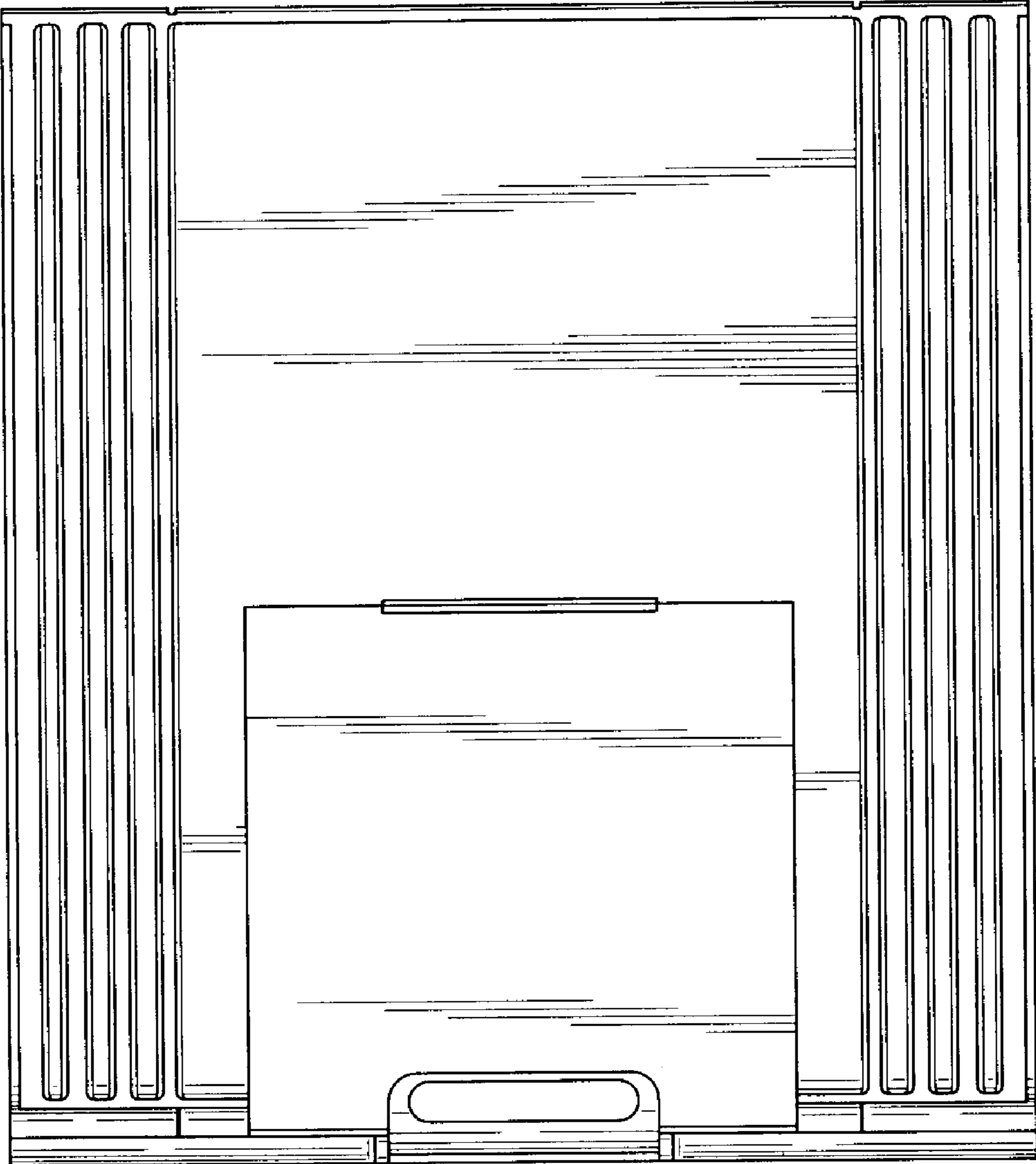


FIG. 5

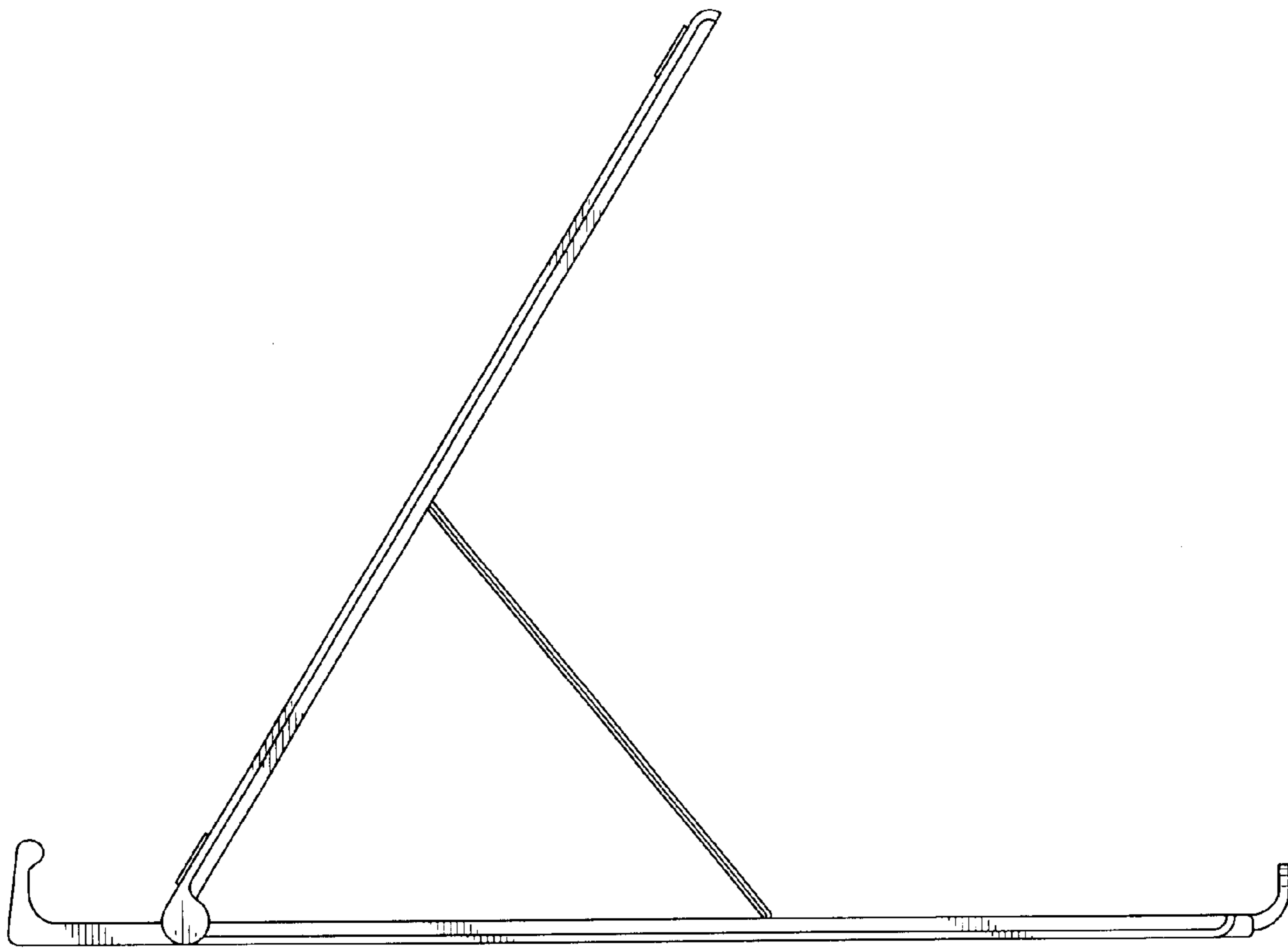


FIG. 6

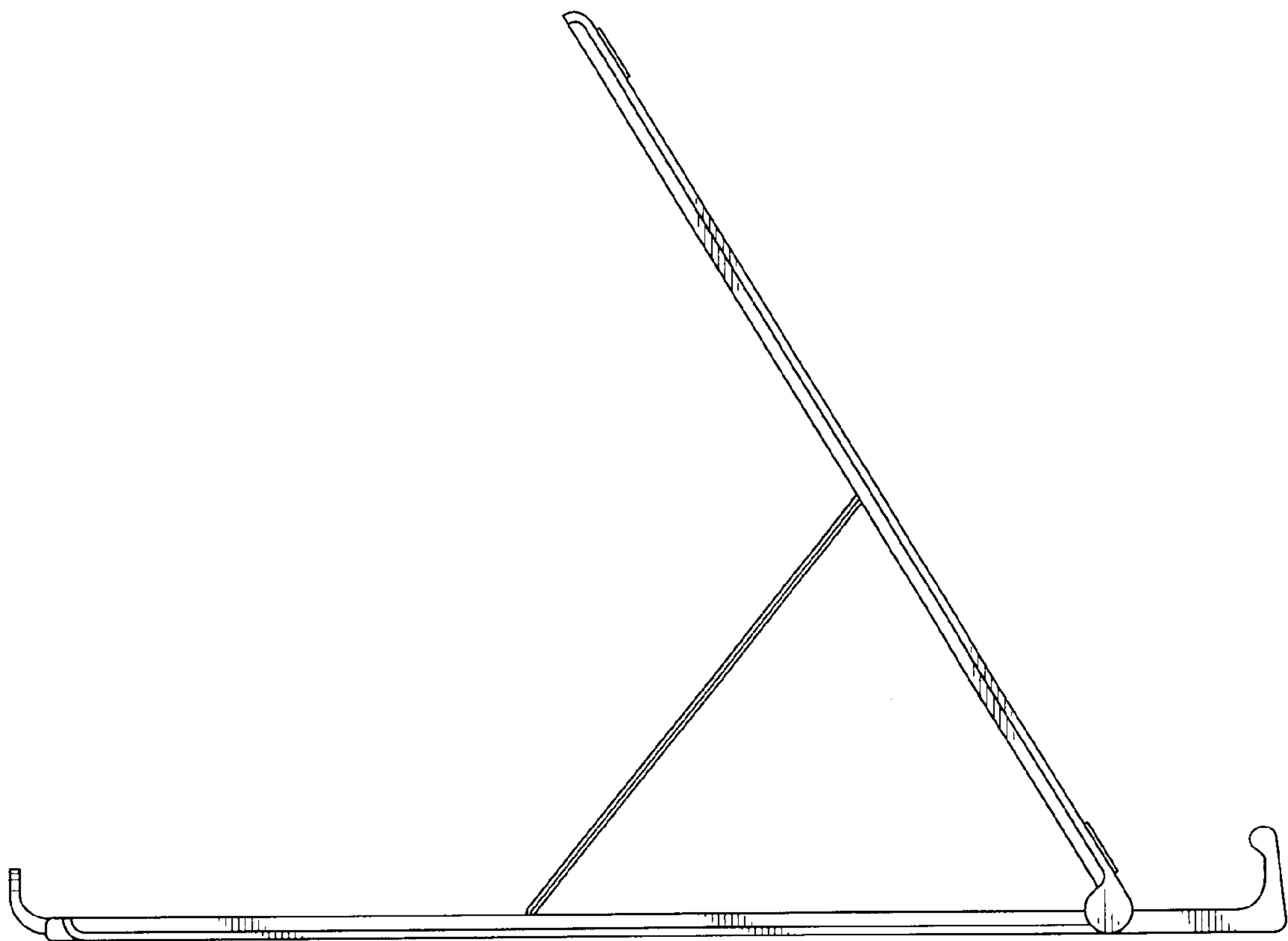


FIG. 7

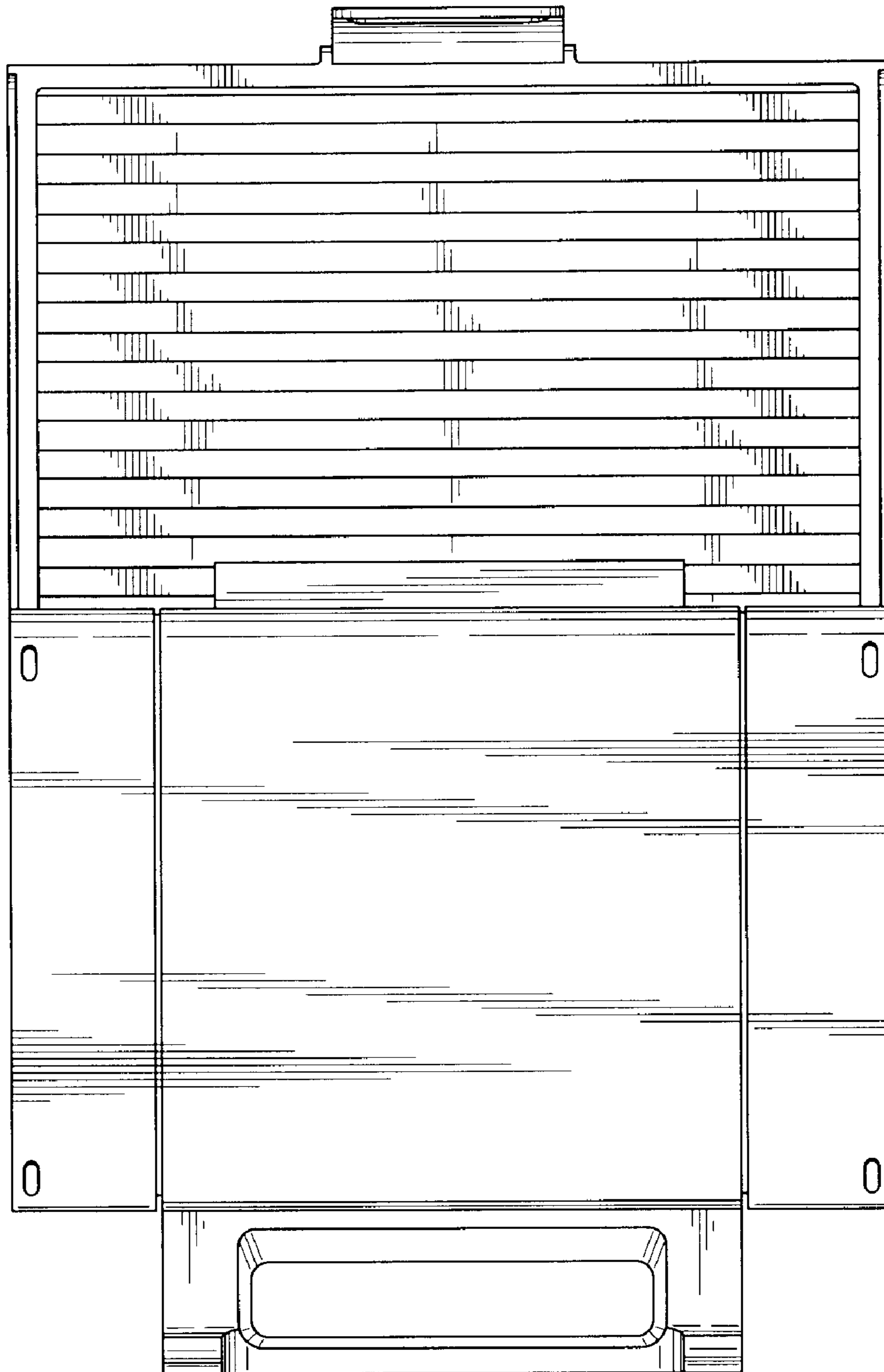


FIG. 8

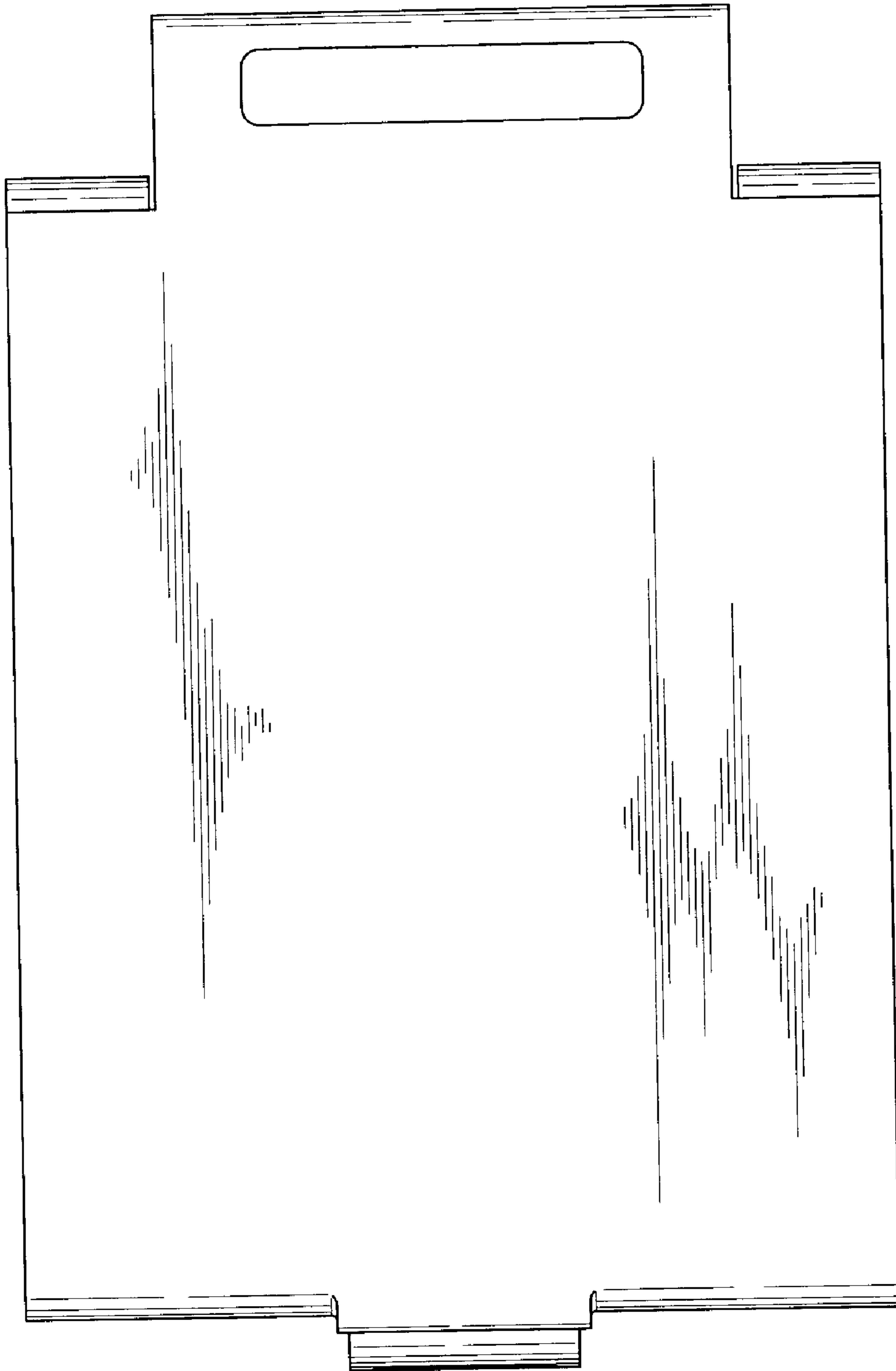


FIG. 9

