



US00D513006S

(12) **United States Design Patent**  
**Hart et al.**

(10) **Patent No.: US D513,006 S**  
(45) **Date of Patent: \*\* \*Dec. 20, 2005**

(54) **DATA CARD**

- (75) Inventors: **Allison M. Hart**, Charlotte, NC (US);  
**Rebecka D. Keelan Nelli**, Charlotte,  
NC (US); **R. Bruce Montgomery, Jr.**,  
Charlotte, NC (US)
- (73) Assignee: **Bank of America Corporation**,  
Charlotte, NC (US)
- (\*) Notice: This patent is subject to a terminal dis-  
claimer.
- (\*\*) Term: **14 Years**
- (21) Appl. No.: **29/196,577**
- (22) Filed: **Dec. 31, 2003**
- (51) **LOC (6) Cl.** ..... **14-02**
- (52) **U.S. Cl.** ..... **D14/436**
- (58) **Field of Search** ..... D14/432-38; 361/736-7,  
361/686; D13/182, 184; 40/124.01; 235/487-95,  
441-3, 375; 283/900, 904; 257/378-9;  
174/52.1; 439/135, 140, 76.1; D19/9, 10

(56) **References Cited**

**U.S. PATENT DOCUMENTS**

4,683,371	A	*	7/1987	Drexler	.....	235/487
4,701,600	A	*	10/1987	Beech et al.	.....	235/375
4,711,347	A	*	12/1987	Drexler et al.	.....	206/38
4,812,633	A	*	3/1989	Vogelgesang et al.	.....	235/487
4,814,594	A	*	3/1989	Drexler	.....	235/487

(Continued)

*Primary Examiner*—M. H. Tung  
(74) *Attorney, Agent, or Firm*—Moore & Van Allen, PLLC;  
Michael G. Johnston

(57) **CLAIM**

We claim the ornamental design for a data card, as shown and described.

**DESCRIPTION**

FIG. 1 is a perspective view of a data card showing our new design.

FIG. 2 is a top plan view of the data card as shown in FIG. 1 showing our new design, the bottom plan view being a mirror image.

FIG. 3 is a front elevational view of the data card as shown in FIG. 1 showing our new design.

FIG. 4 is a left side view of the data card as shown in FIG. 1 showing our new design, the right side view being a mirror image.

FIG. 5 is a rear elevational view of the data card as shown in FIG. 1 showing our new design.

FIG. 6 is a perspective view of a second embodiment of a data card showing our new design.

FIG. 7 is a front elevational view of the data card as shown in FIG. 6 showing our new design.

FIG. 8 is a rear elevational view of the data card as shown in FIG. 6 showing our new design.

FIG. 9 is a perspective view of a third embodiment of a data card showing our new design.

FIG. 10 is a front elevational view of the data card as shown in FIG. 9 showing our new design.

FIG. 11 is a rear elevational view of the data card as shown in FIG. 9 showing our new design.

FIG. 12 is a perspective view of a fourth embodiment of a data card showing our new design.

FIG. 13 is a front elevational view of the data card as shown in FIG. 12 showing our new design.

FIG. 14 is a rear elevational view of the data card as shown in FIG. 12 showing our new design.

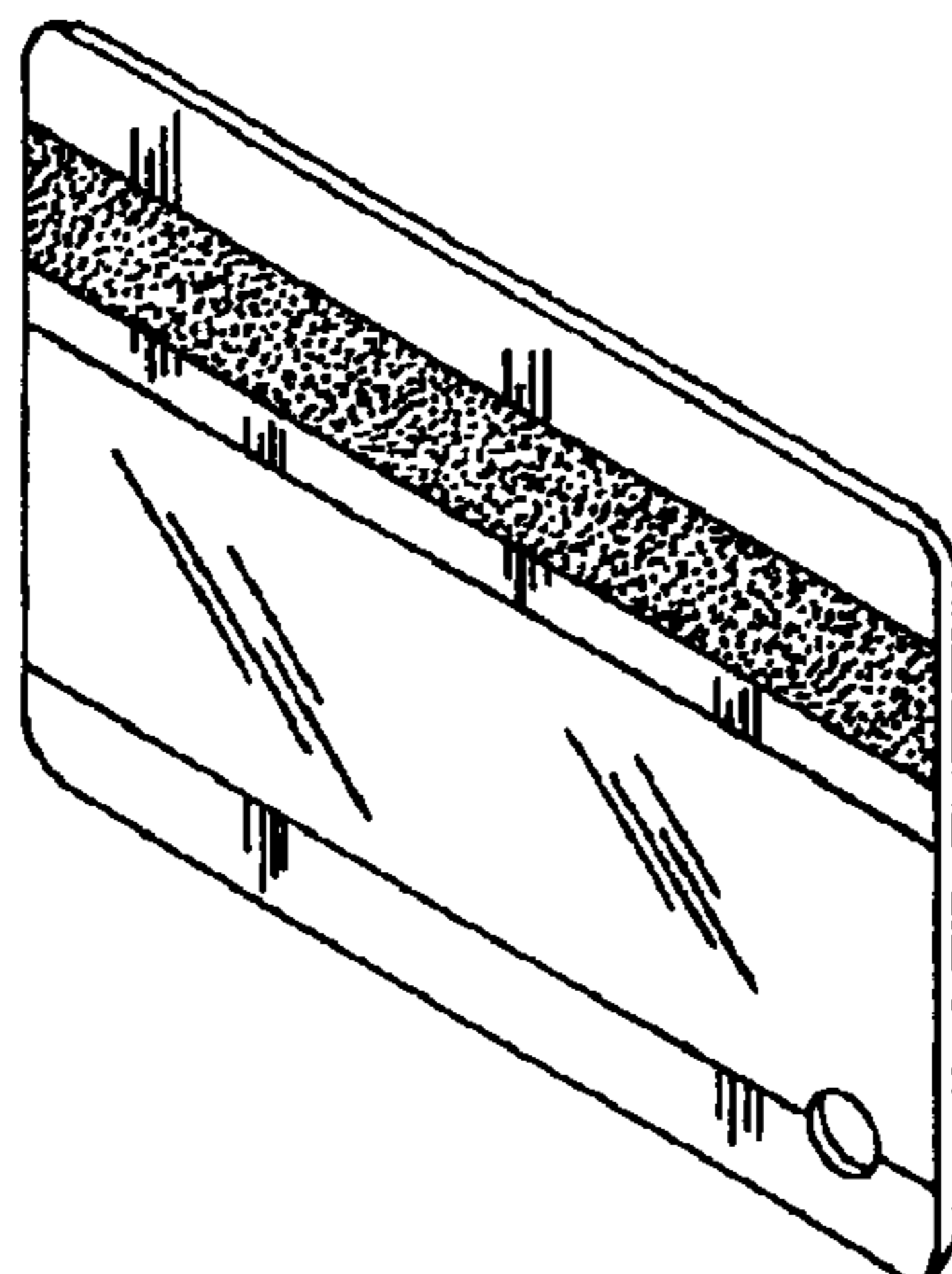
FIG. 15 is a perspective view of fifth embodiment of a data card showing our new design.

FIG. 16 is a front elevational view of the data card as shown in FIG. 15 showing our new design; and,

FIG. 17 is a rear elevational view of the data card as shown in FIG. 15 showing our new design.

The top and bottom plan views of embodiments 2-5 are the same as shown in FIG. 2. The left side and right side views of embodiments 2-5 are the same as shown in FIG. 4.

**1 Claim, 3 Drawing Sheets**



# US D513,006 S

Page 2

## U.S. PATENT DOCUMENTS

D406,861 S	*	3/1999	Leedy, Jr.	.....	D19/10	D460,455 S	*	7/2002	Pentz	.....	D14/436
6,012,636 A	*	1/2000	Smith	.....	235/380	D461,477 S	*	8/2002	Pentz	.....	D14/436
D434,041 S	*	11/2000	Burke	.....	D14/436	D462,714 S	*	9/2002	Creighton	.....	D19/9
6,196,594 B1	*	3/2001	Keller	.....	283/82	D462,965 S	*	9/2002	Pentz	.....	D14/436
D453,160 S		1/2002	Pentz et al.			D462,966 S		9/2002	Pentz et al.		
D453,161 S		1/2002	Pentz			D467,247 S		12/2002	Pentz		
D453,336 S	*	2/2002	Pentz et al.	.....	D14/436	D469,777 S	*	2/2003	Burke	.....	D14/436
D453,337 S	*	2/2002	Pentz et al.	.....	D14/436	D478,622 S	*	8/2003	Grayson	.....	D19/10
D453,338 S	*	2/2002	Pentz et al.	.....	D14/436	D481,068 S	*	10/2003	Blossom et al.	.....	D19/10
D453,339 S	*	2/2002	Pentz	.....	D14/436	D487,480 S	*	3/2004	Nelms et al.	.....	D19/9
D453,516 S	*	2/2002	Pentz	.....	D14/436	D490,103 S	*	5/2004	Rangel et al.	.....	D19/10
D453,517 S	*	2/2002	Pentz	.....	D14/436	D493,195 S	*	7/2004	Creighton	.....	D19/9
D454,910 S	*	3/2002	Smith et al.	.....	D19/9	2002/0185543 A1	*	12/2002	Pentz et al.	.....	235/493
D456,814 S	*	5/2002	Pentz	.....	D14/436	2003/0071120 A1	*	4/2003	Orii	.....	235/449
D457,556 S	*	5/2002	Hochschild	.....	D19/9	2003/0127522 A1	*	7/2003	McKinney et al.	.....	235/487
D460,454 S	*	7/2002	Pentz	.....	D14/436	2003/0222153 A1	*	12/2003	Pentz et al.	.....	235/493

\* cited by examiner

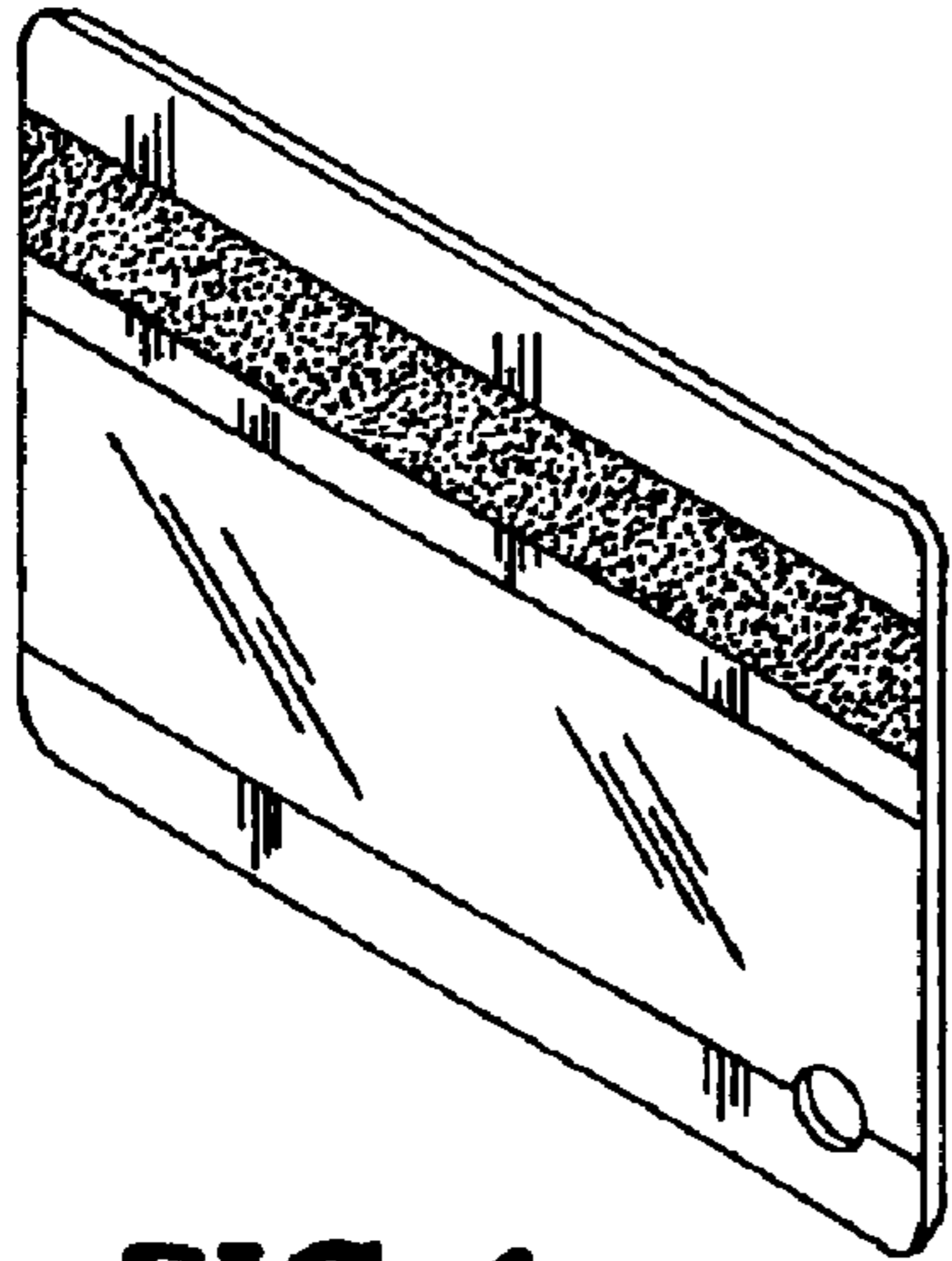


FIG. 1

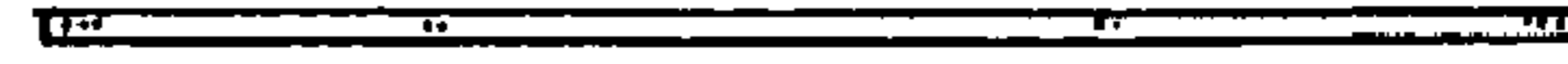


FIG. 2

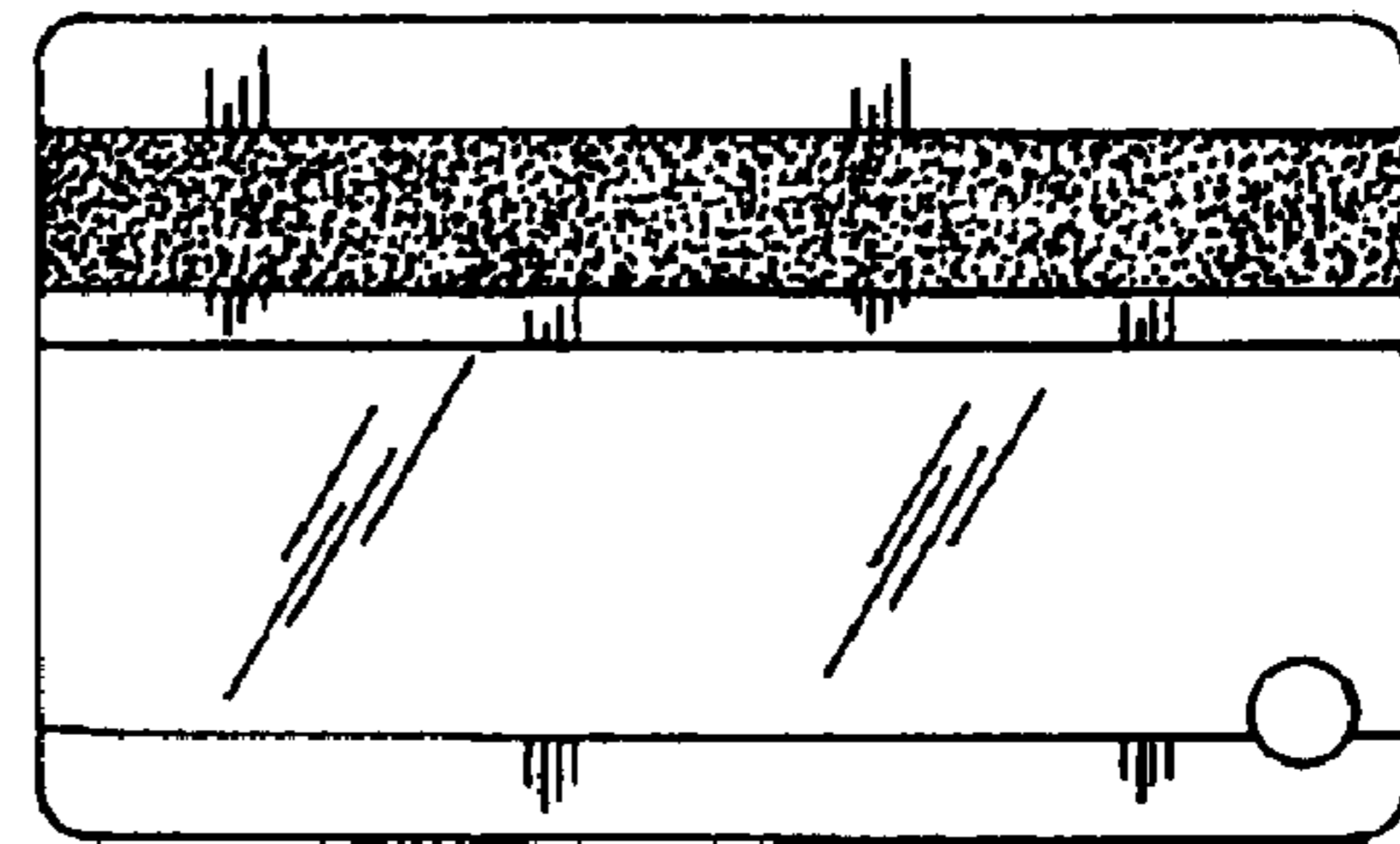


FIG. 3



FIG. 4

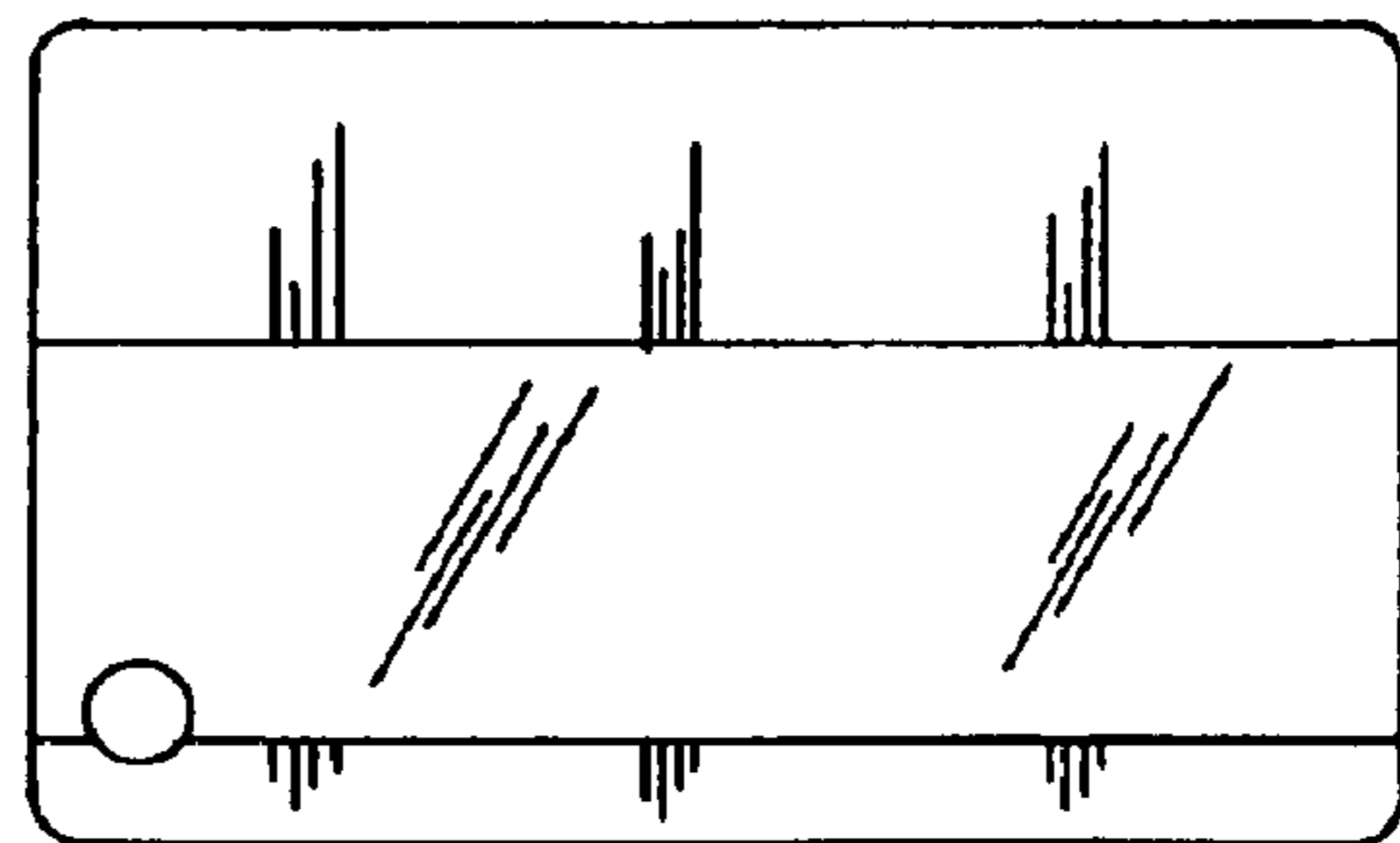
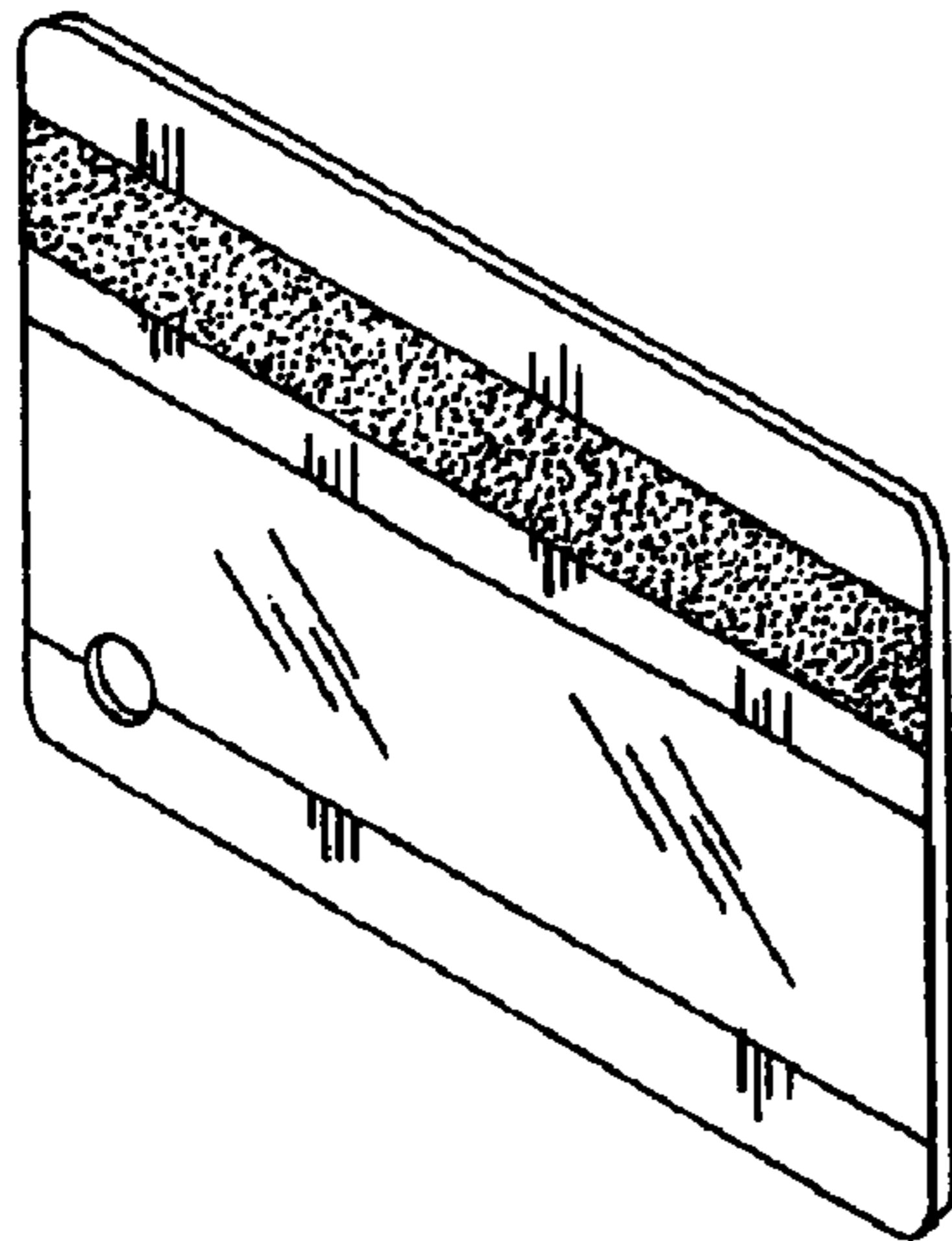
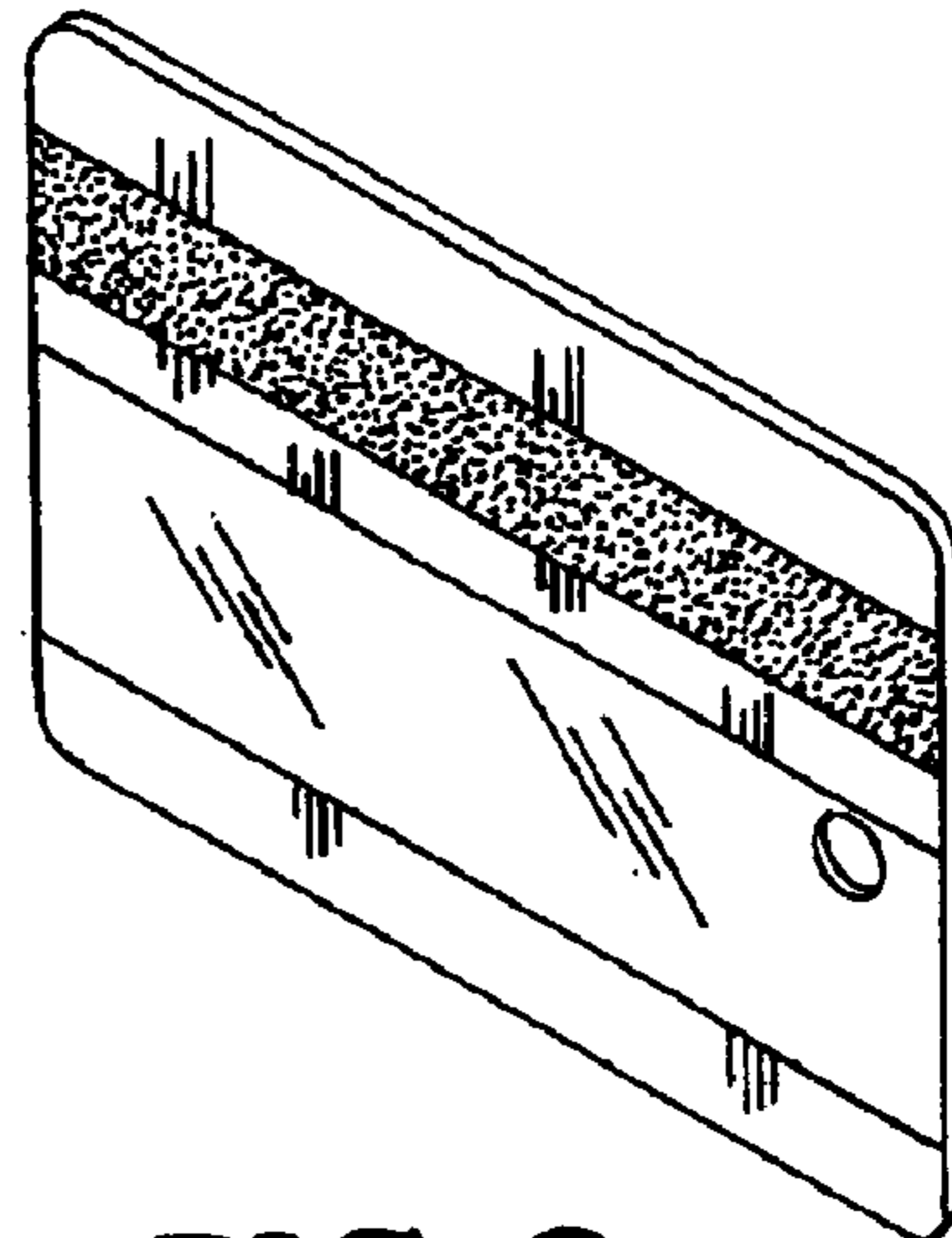


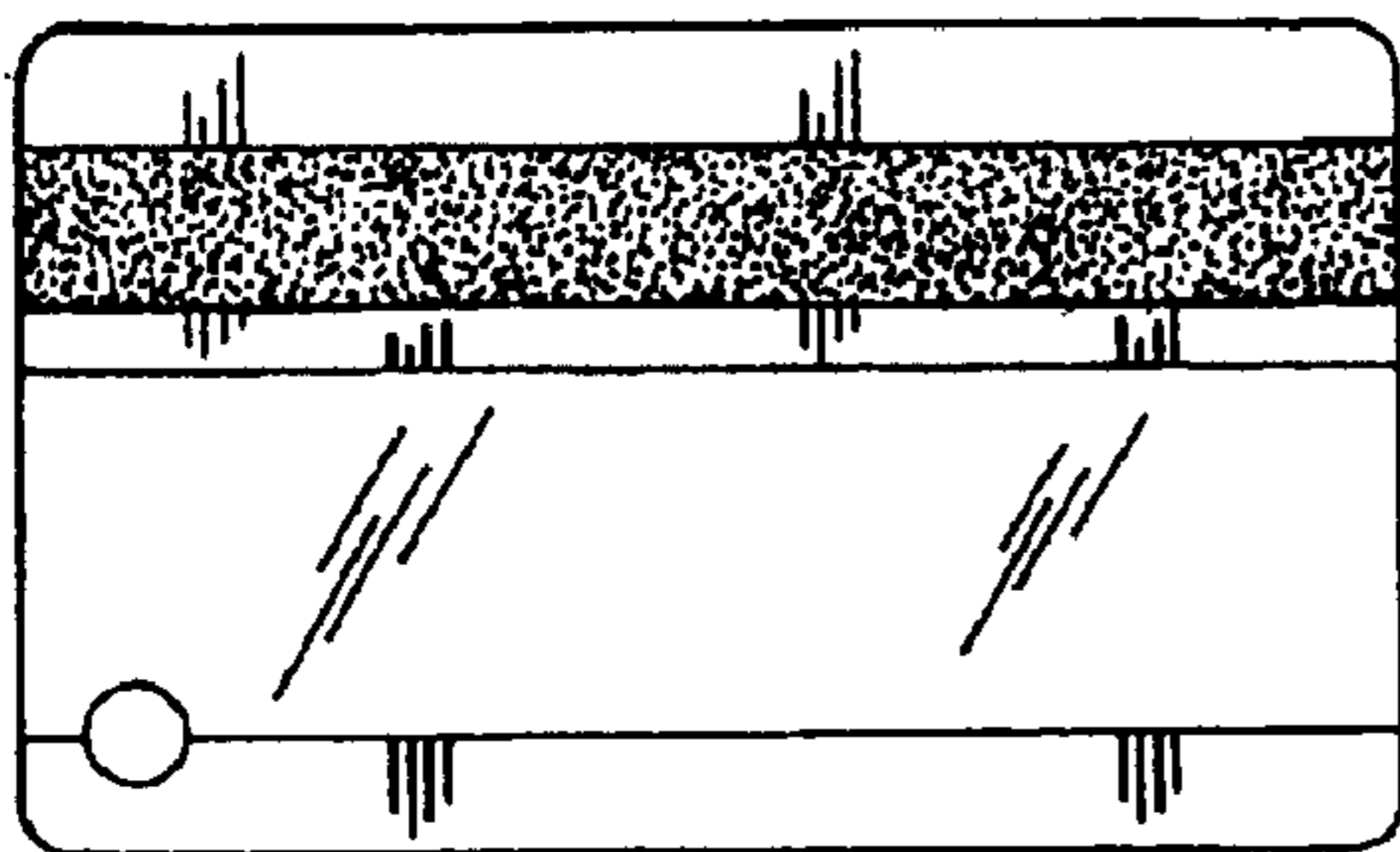
FIG. 5



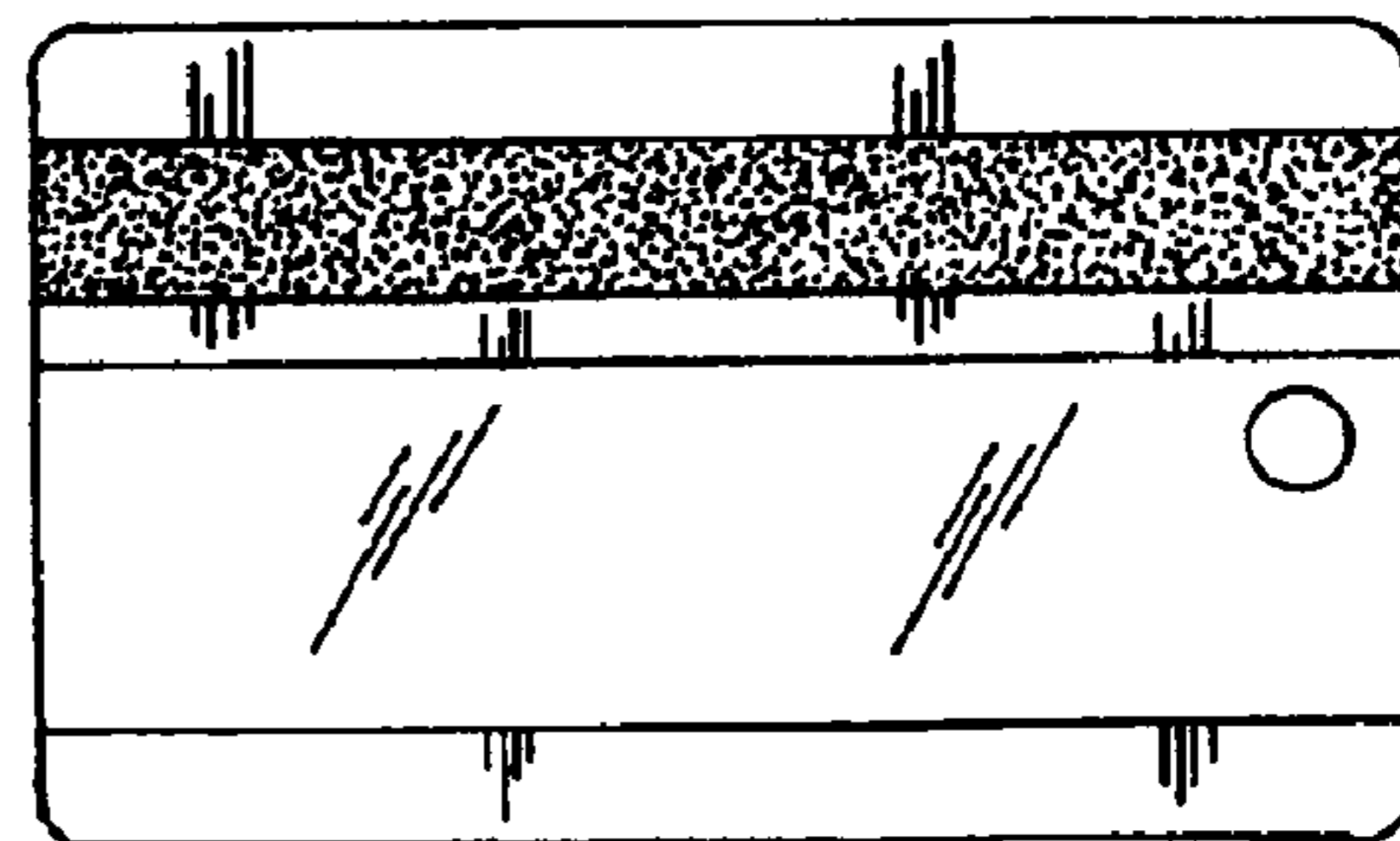
**FIG. 6**



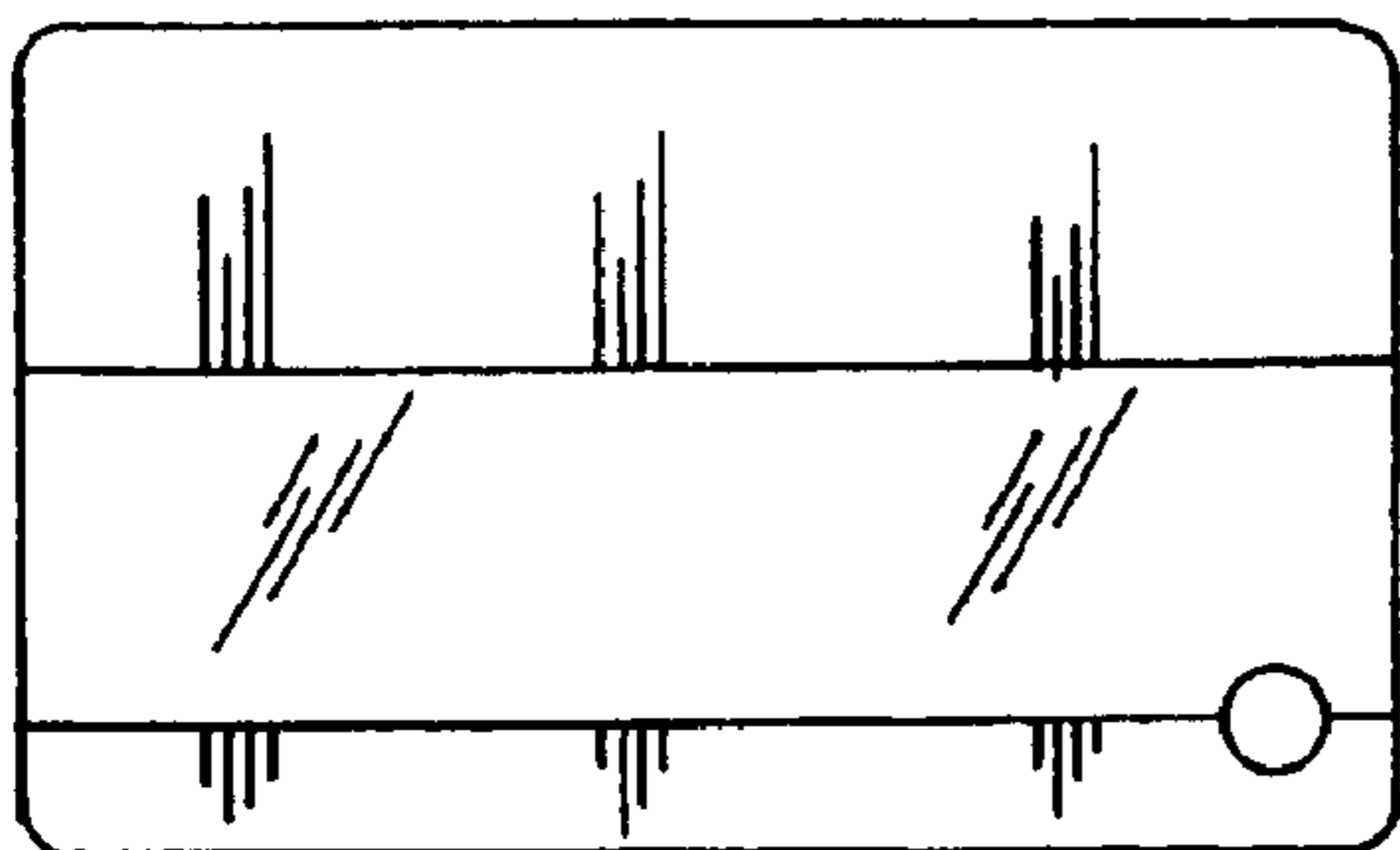
**FIG. 9**



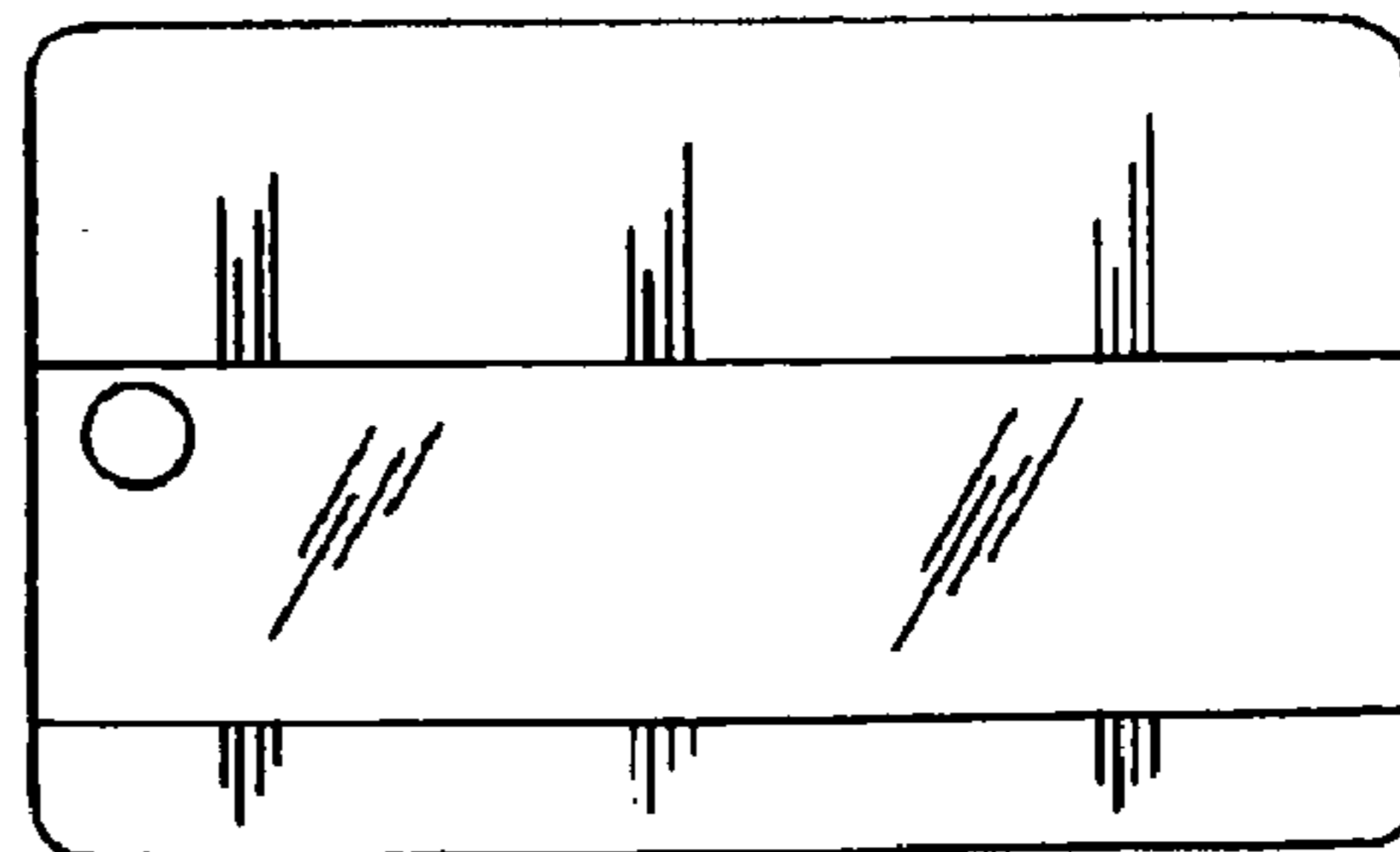
**FIG. 7**



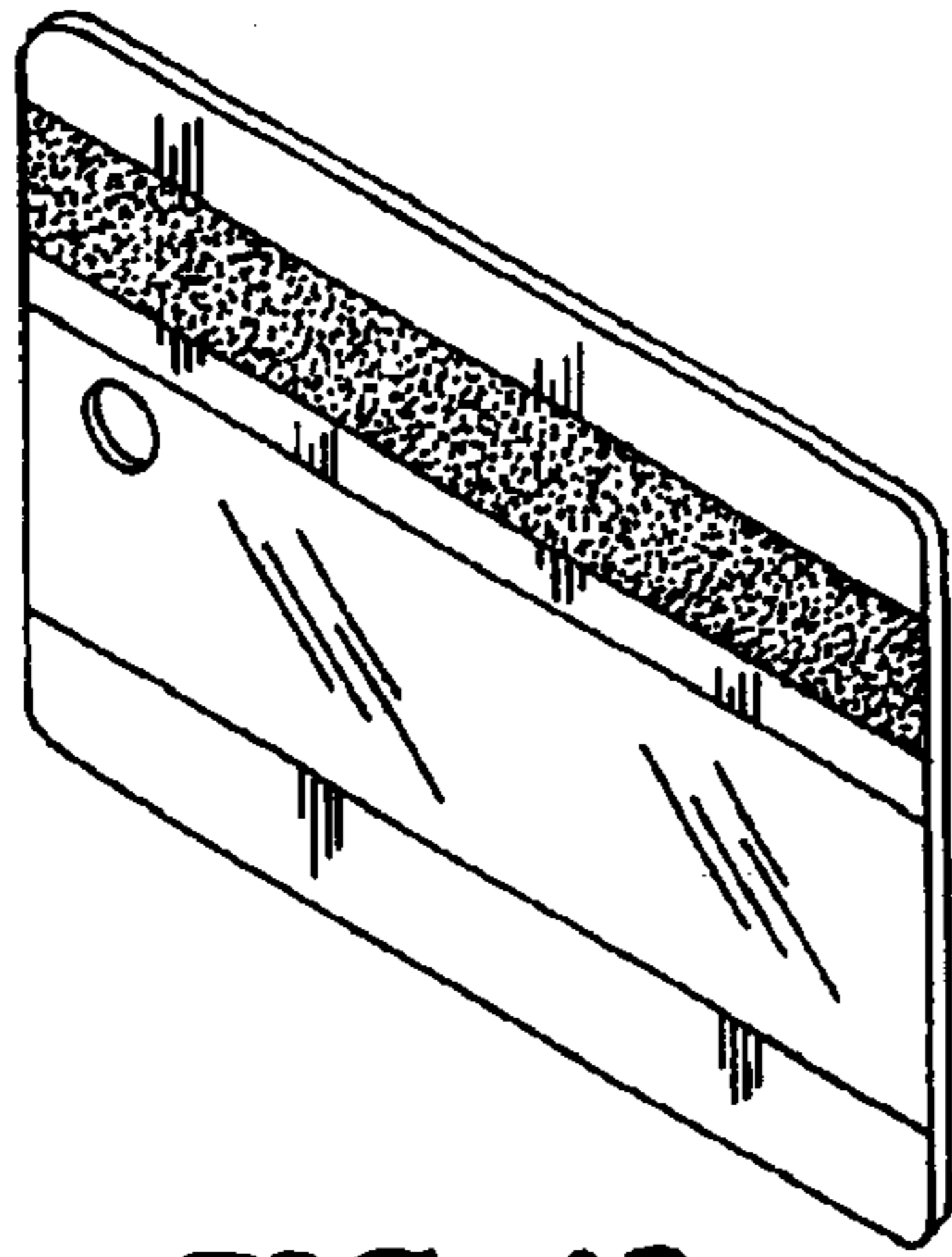
**FIG. 10**



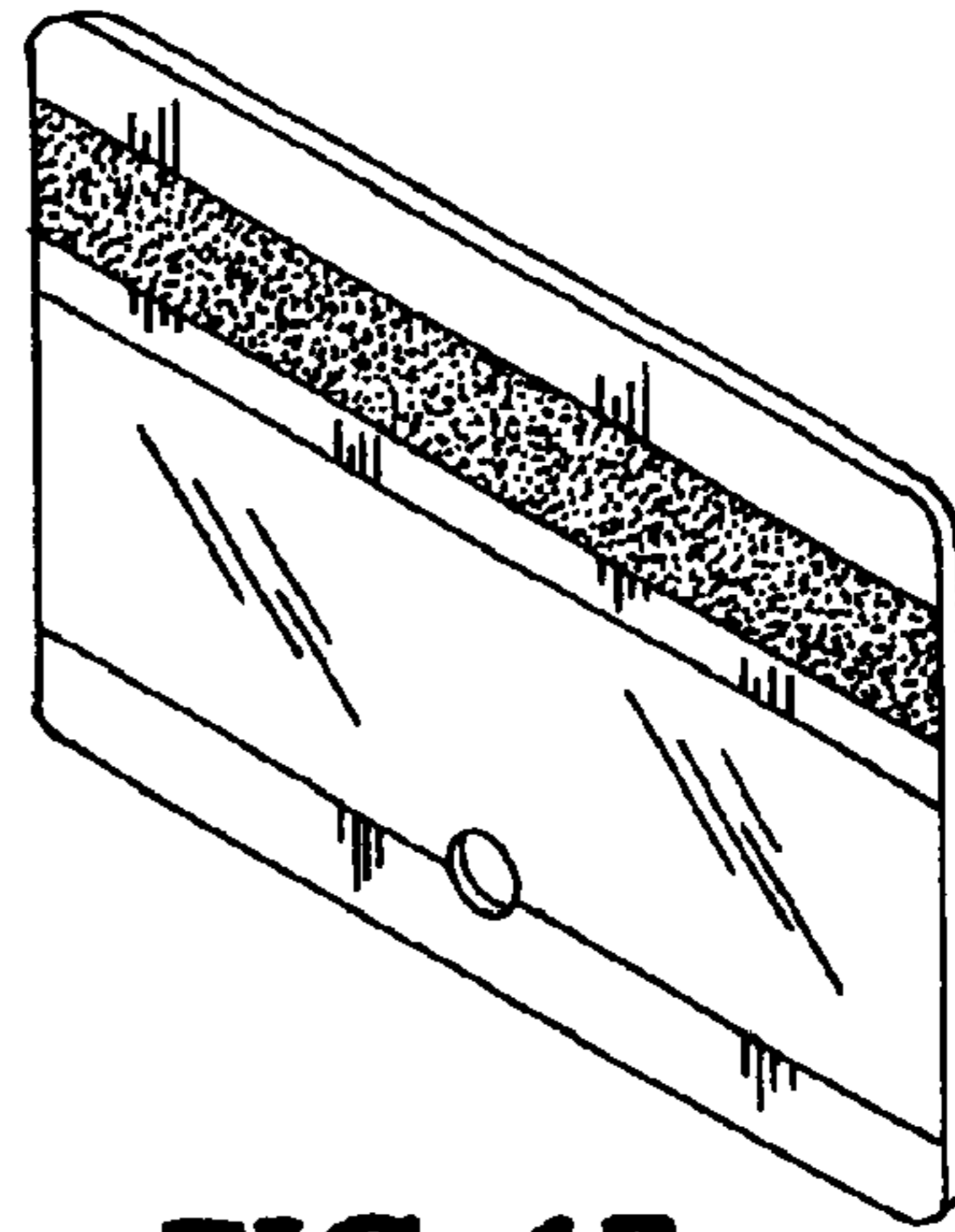
**FIG. 8**



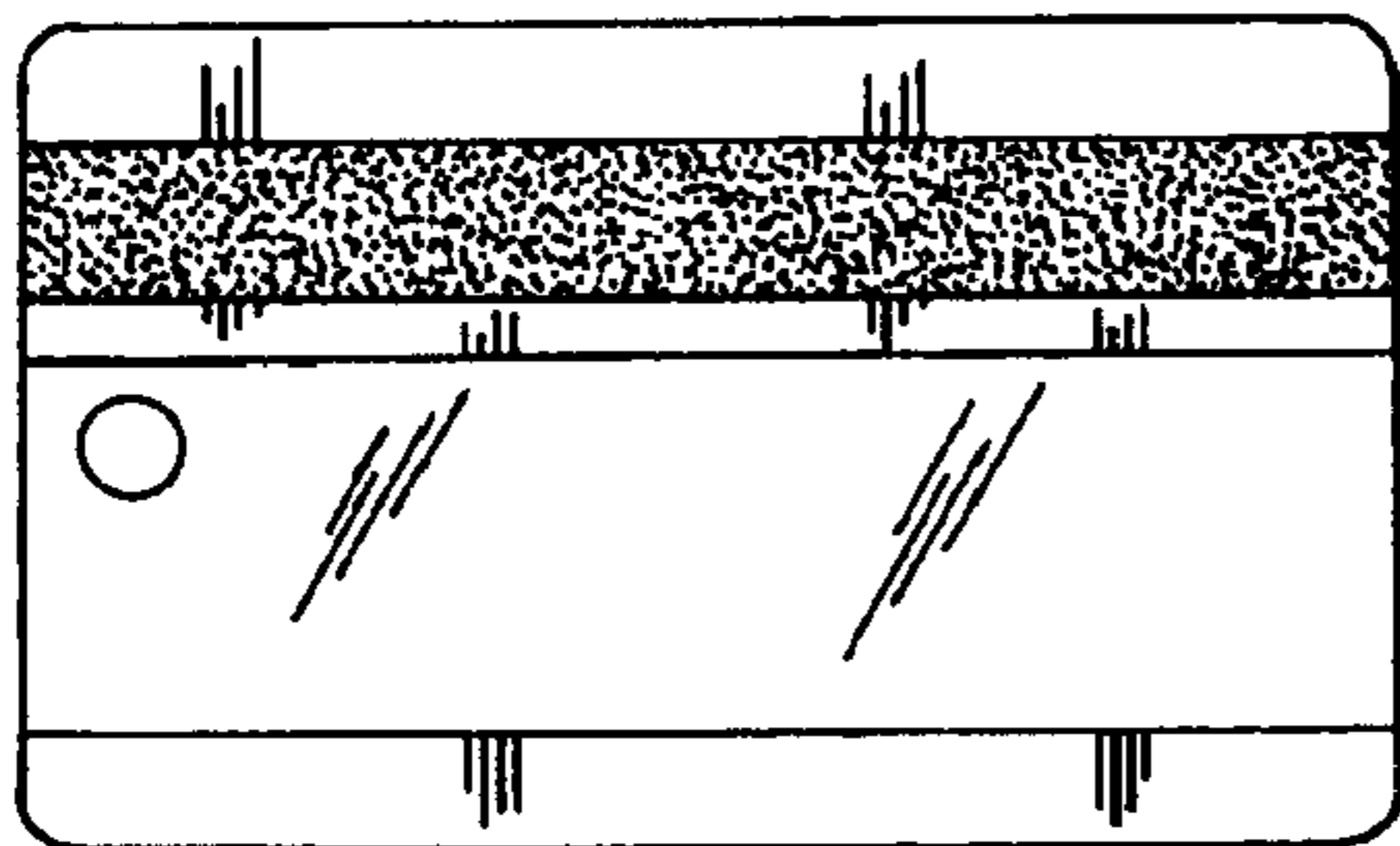
**FIG. 11**



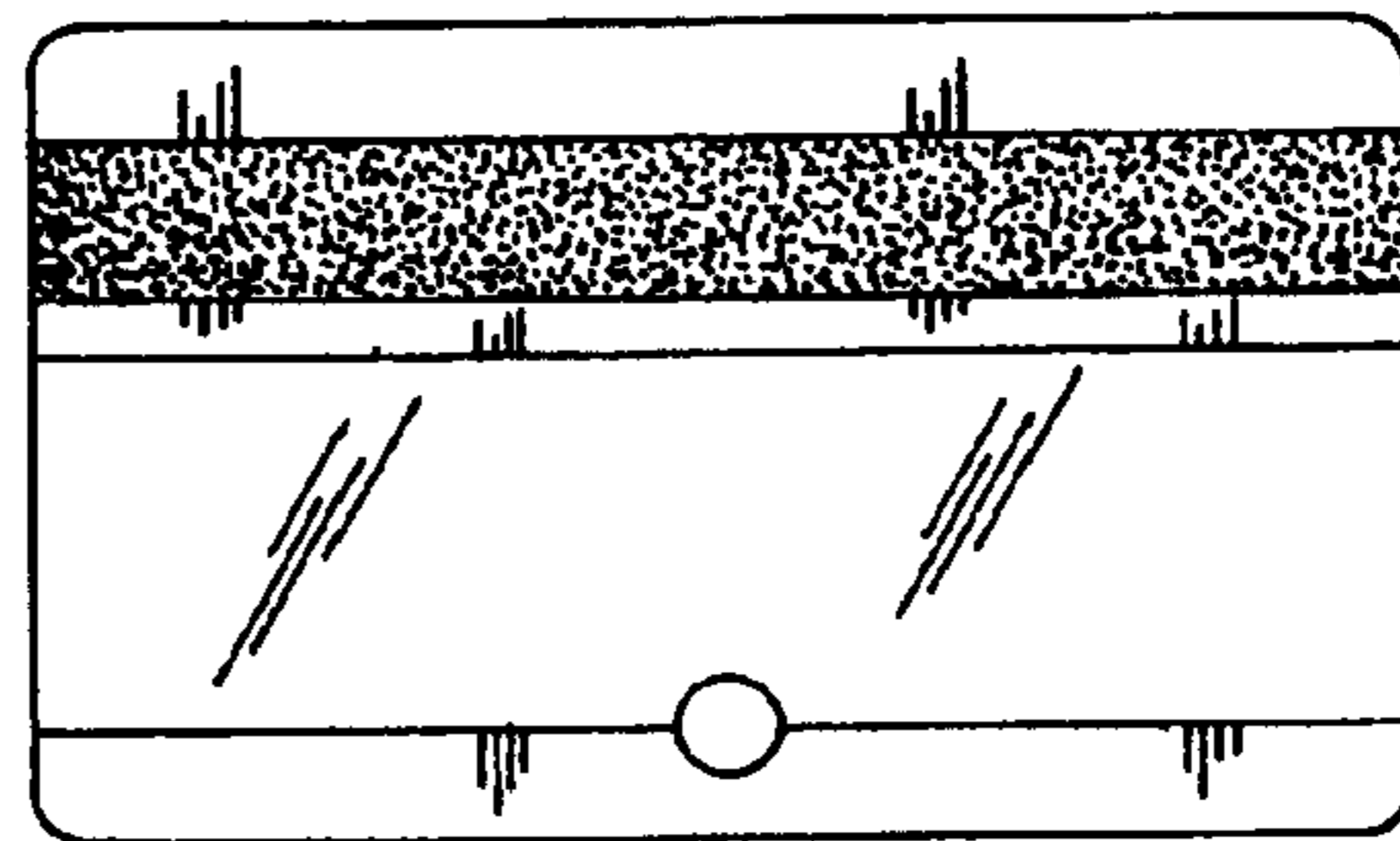
**FIG. 12**



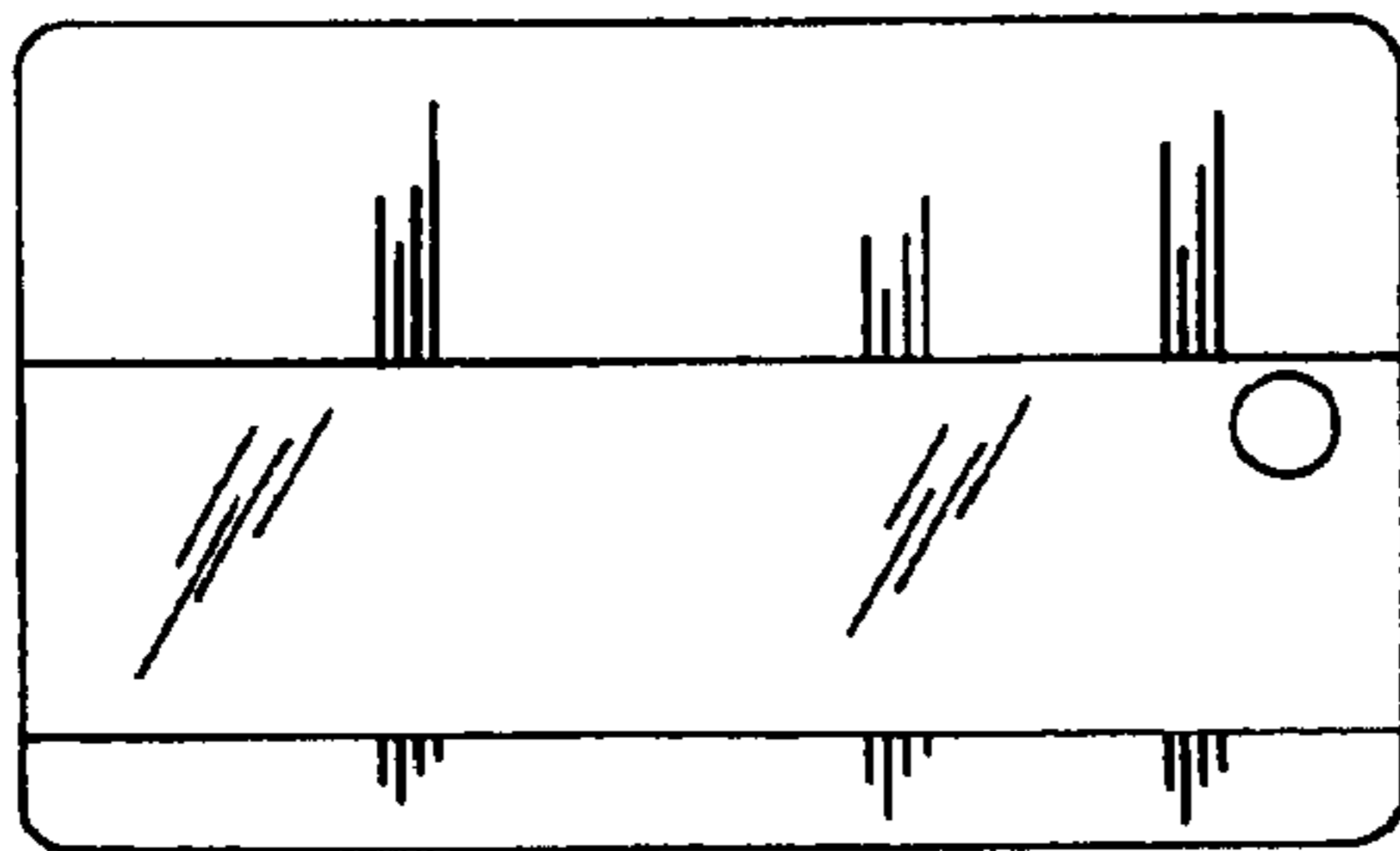
**FIG. 15**



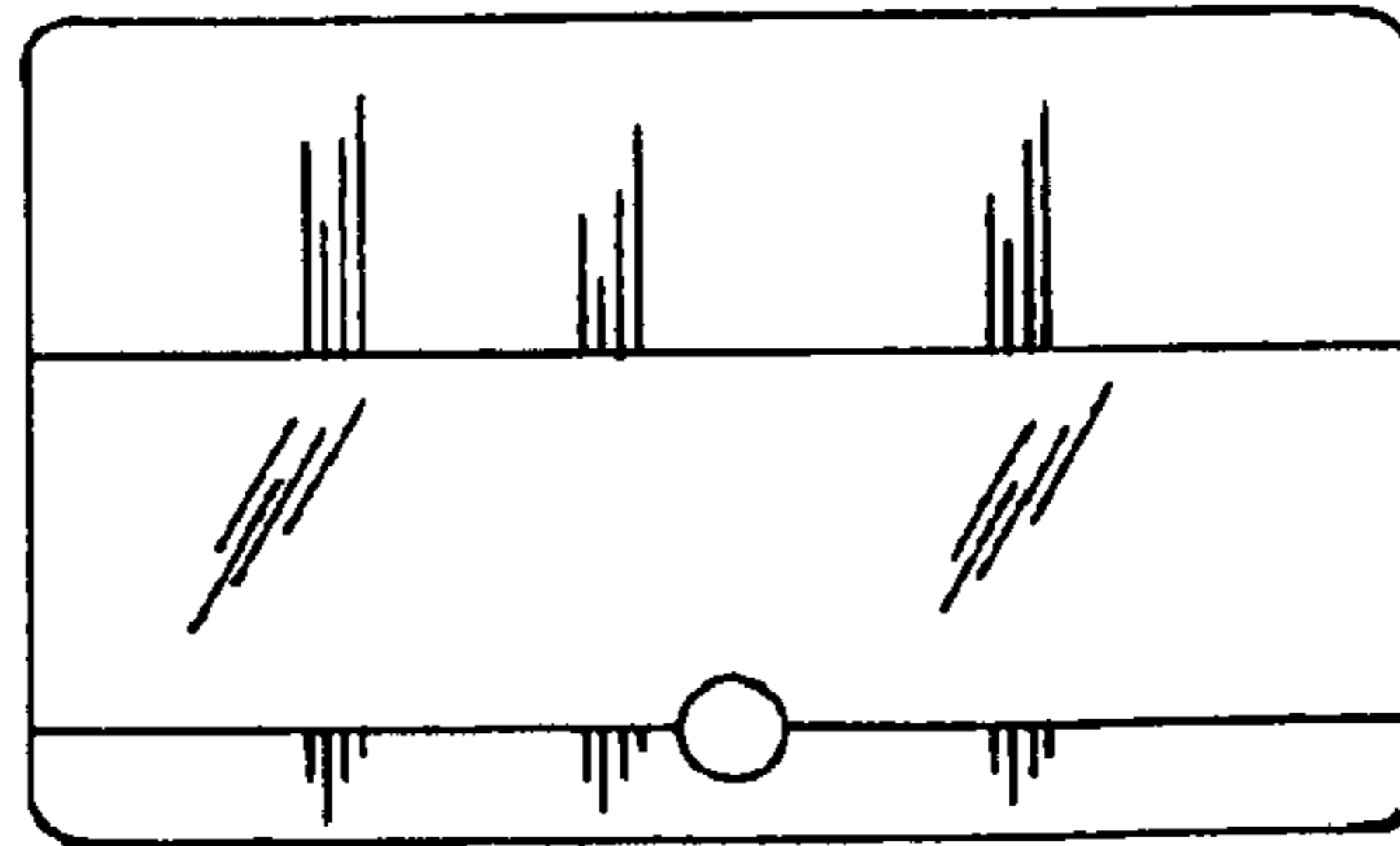
**FIG. 13**



**FIG. 16**



**FIG. 14**



**FIG. 17**