



US00D513005S

(12) **United States Design Patent**
Kobayakawa

(10) **Patent No.: US D513,005 S**

(45) **Date of Patent: ** Dec. 20, 2005**

(54) **MEMORY CARTRIDGE WITH A
UNIVERSAL SERIAL BUS CONNECTOR**

(75) Inventor: **Tatsutoshi Kobayakawa, Tokyo (JP)**

(73) Assignee: **Tanita Corporation, Tokyo (JP)**

(**) Term: **14 Years**

(21) Appl. No.: **29/208,369**

(22) Filed: **Jun. 29, 2004**

(30) **Foreign Application Priority Data**

Jan. 29, 2004 (JP) 2004-002065

(51) **LOC (6) Cl. 14-02**

(52) **U.S. Cl. D14/435**

(58) **Field of Search** D14/156, 167,
D14/432, 435, 341, 356, 474; 455/45, 344,
346-51, 2.01; 369/75.11, 76; 84/602; 360/55

(56) **References Cited**

U.S. PATENT DOCUMENTS

D396,860 S * 8/1998 Yasutomi D14/168

D433,400 S * 11/2000 Boucard D14/160

D446,511 S * 8/2001 Kanno et al. D14/167

D475,359 S * 6/2003 Hirose D14/167

D487,750 S * 3/2004 Dietel et al. D14/474
D488,464 S * 4/2004 Lin et al. D14/242
D489,053 S * 4/2004 Nakamura D14/167
D498,759 S * 11/2004 Lewis et al. D14/436
D500,302 S * 12/2004 Deguchi D14/167
D500,485 S * 1/2005 Deguchi D14/167
2004/0074264 A1 * 4/2004 Kung et al 70/58

* cited by examiner

Primary Examiner—M. H. Tung

(74) *Attorney, Agent, or Firm*—McDermott Will & Emery
LLP

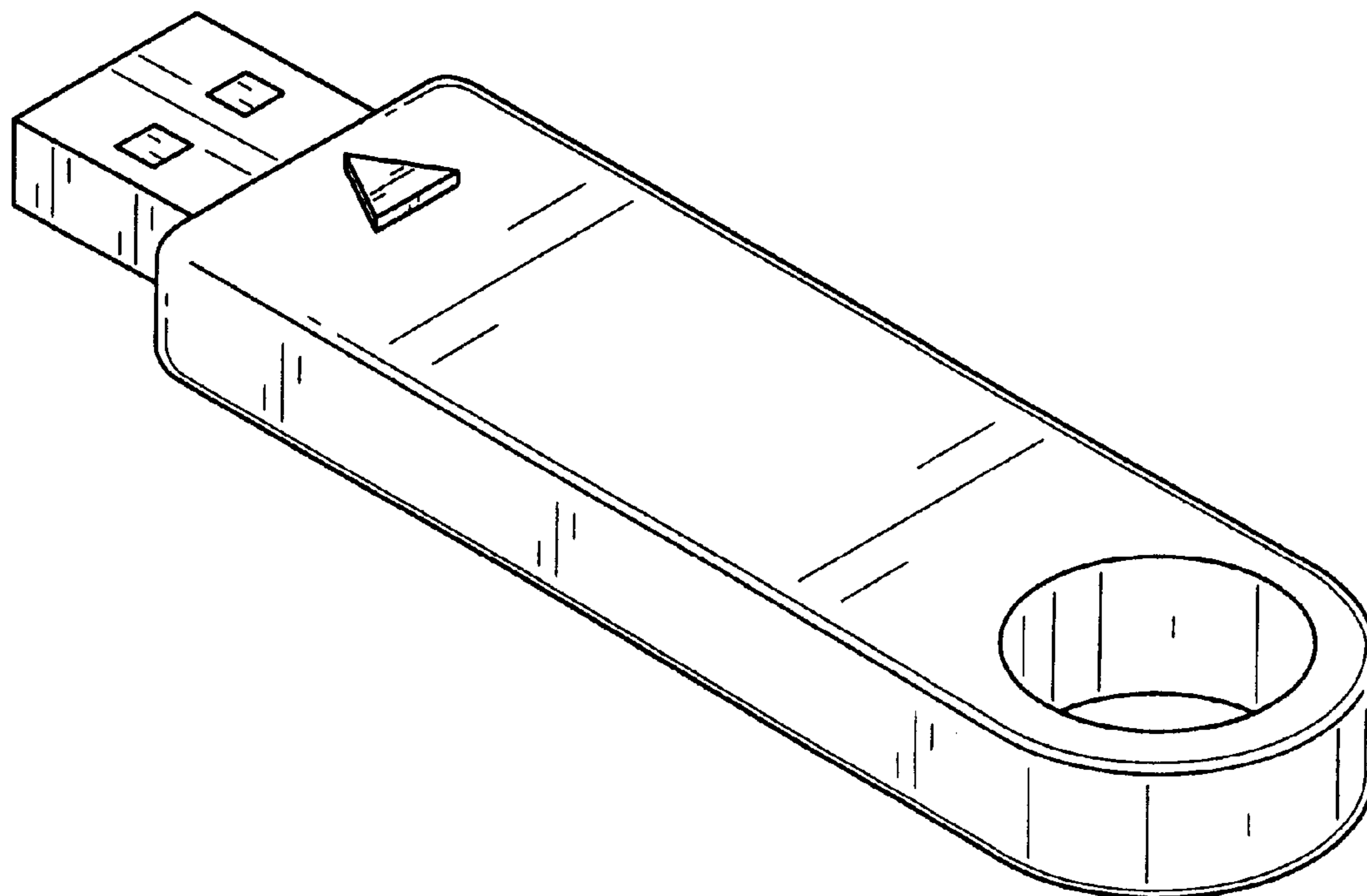
(57) **CLAIM**

The ornamental design for a memory cartridge with a
universal serial bus connector, as shown.

DESCRIPTION

FIG. 1 is a perspective view of a memory cartridge with a
universal serial bus connector according to my novel design;
FIG. 2 is a front view thereof;
FIG. 3 is a rear view thereof;
FIG. 4 is a left side view thereof;
FIG. 5 is a right side view thereof;
FIG. 6 is a top plan view thereof; and,
FIG. 7 is a bottom view thereof.

1 Claim, 4 Drawing Sheets



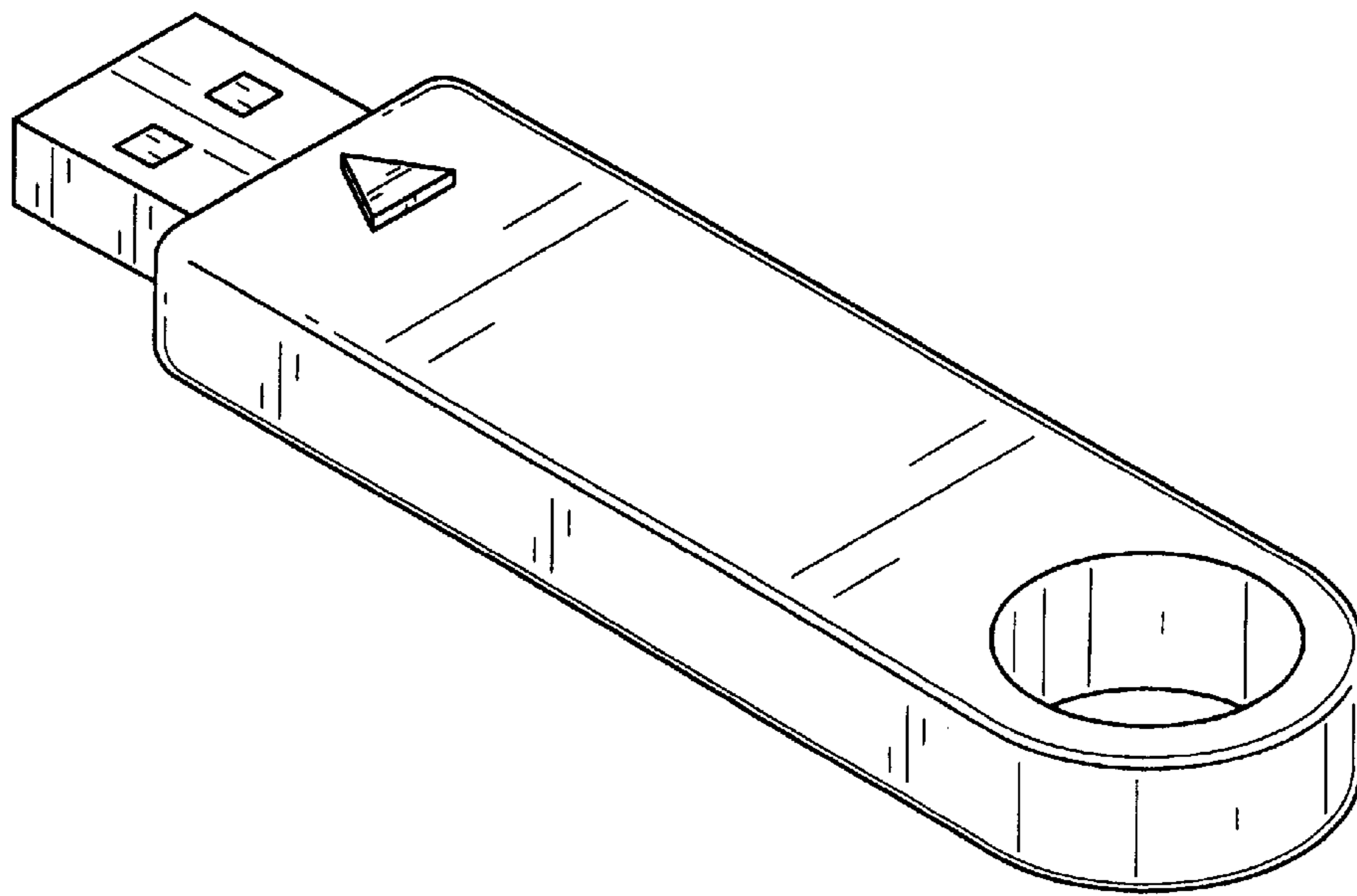


FIG. 1

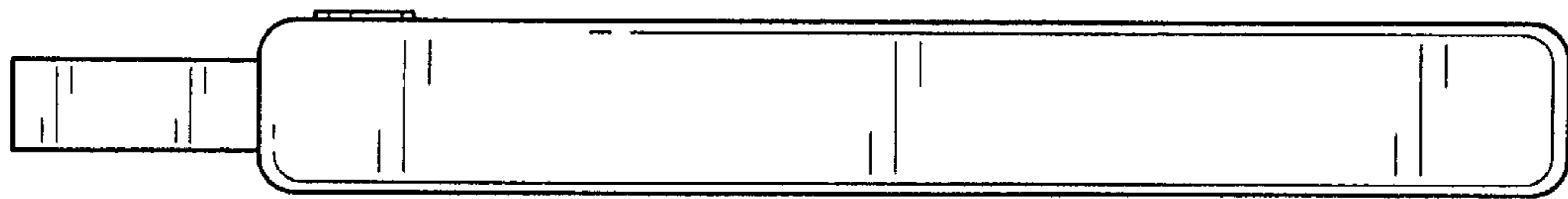


FIG. 2

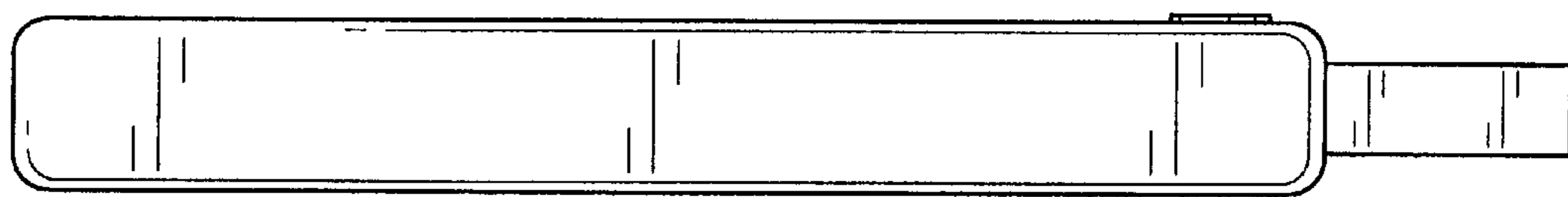


FIG. 3

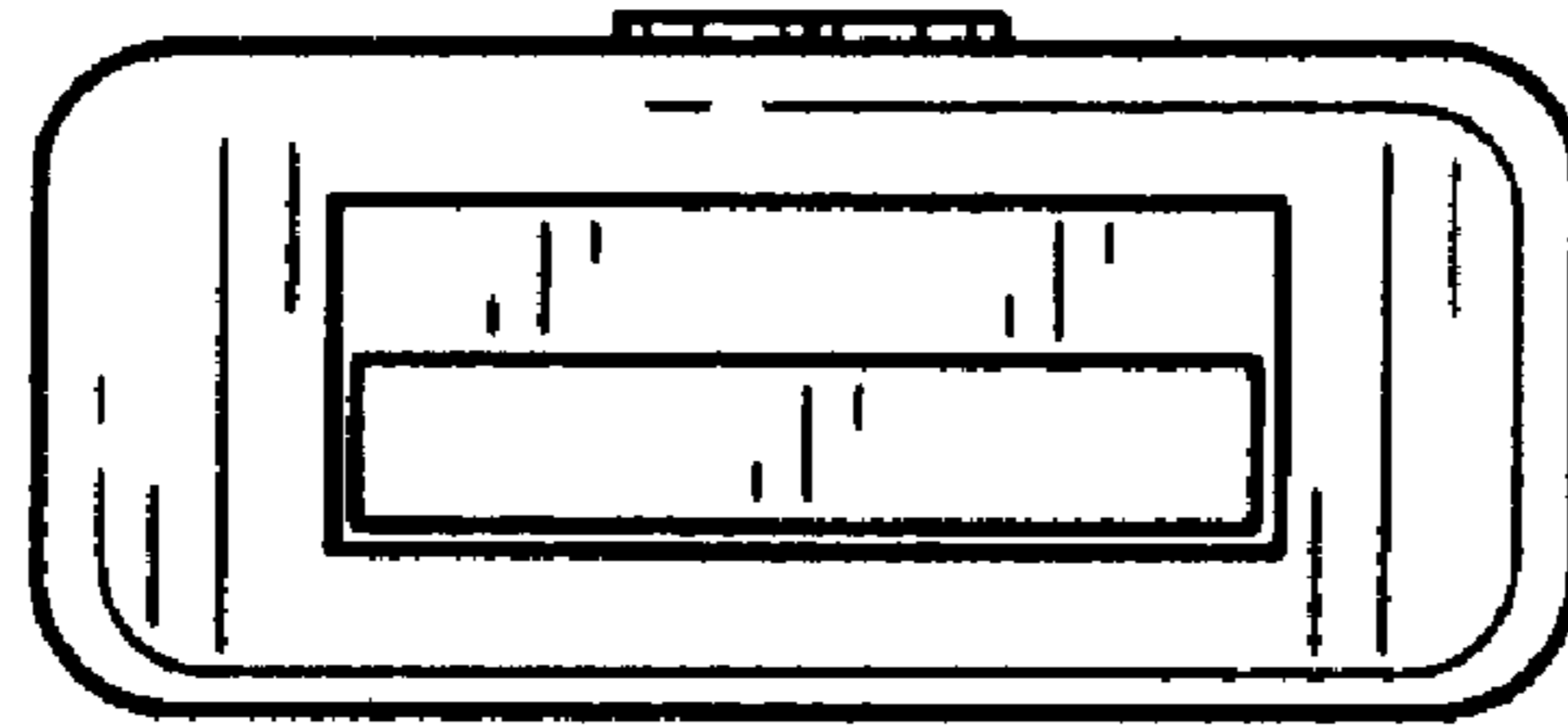


FIG 4

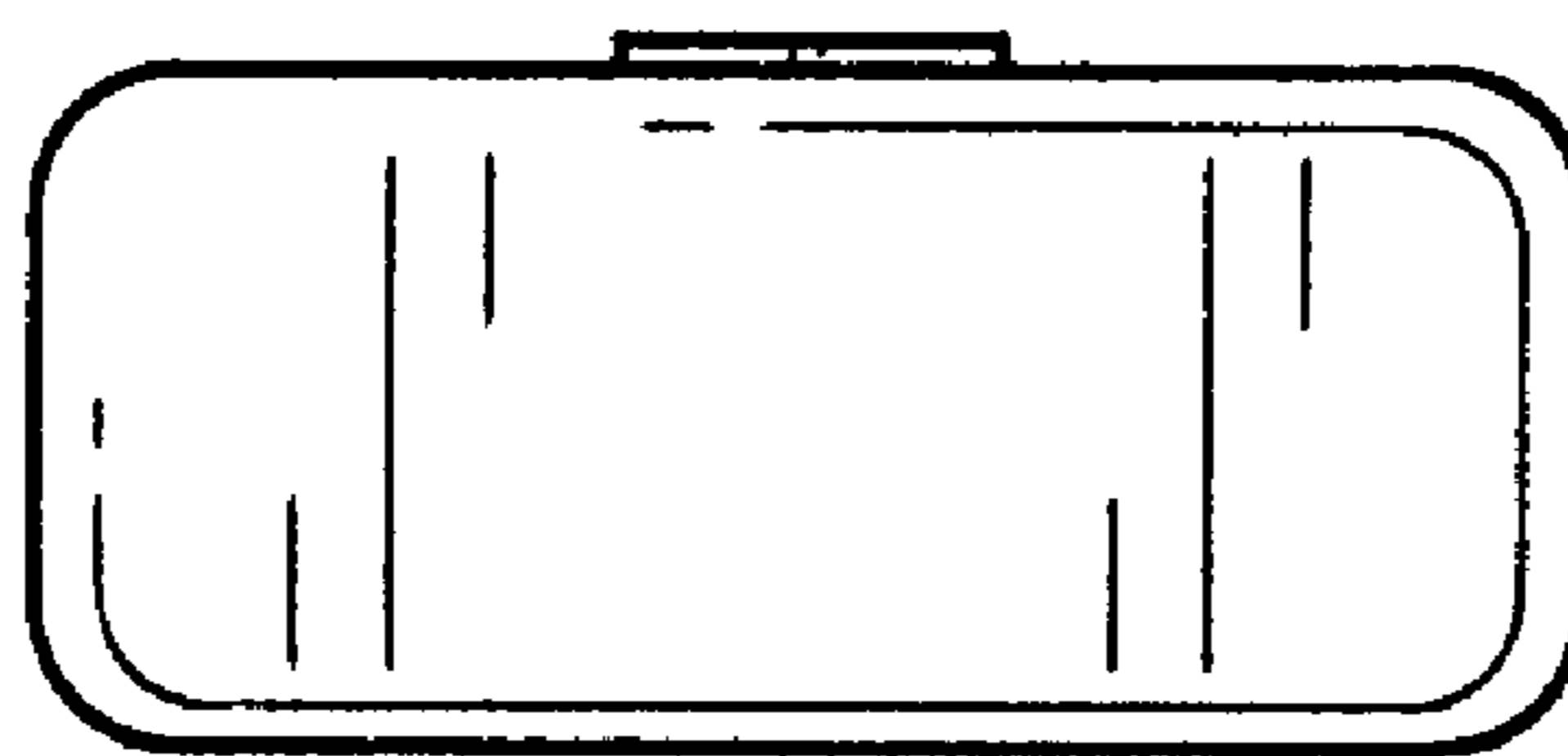


FIG. 5

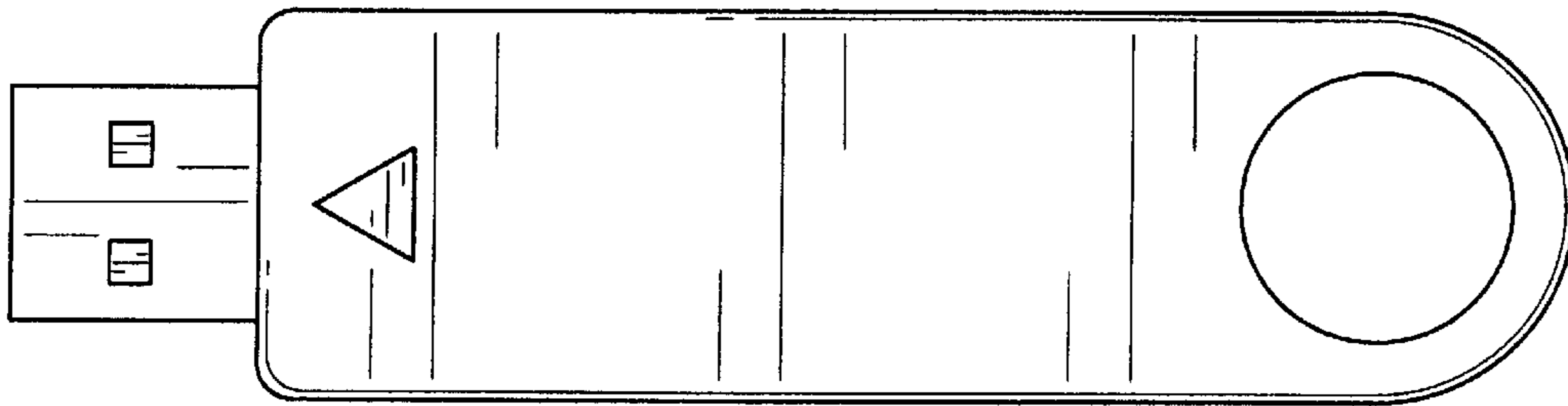


FIG. 6

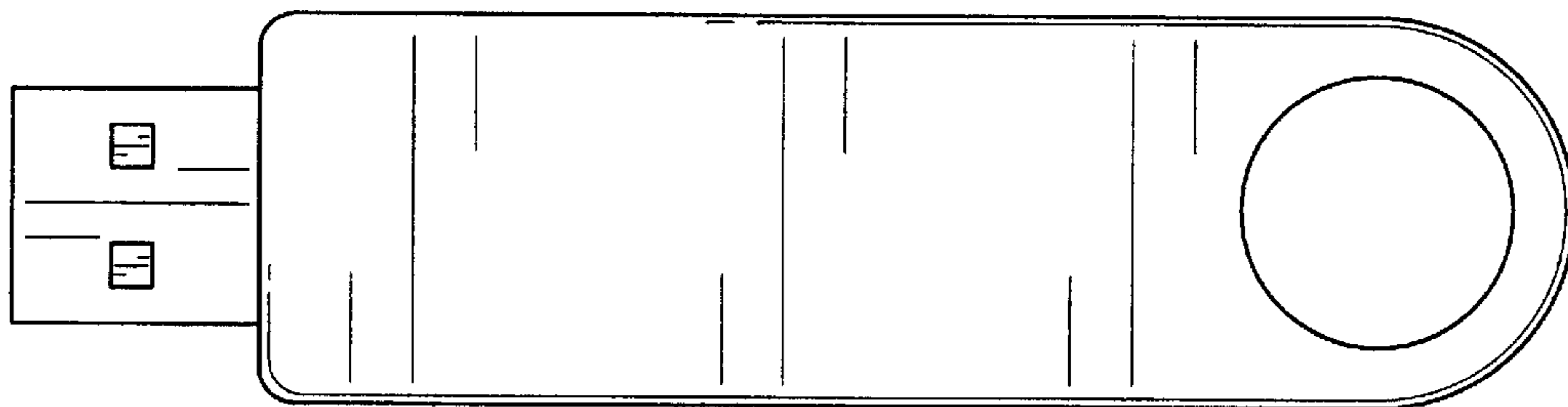


FIG. 7