



US00D513004S

(12) **United States Design Patent**
Chen

(10) **Patent No.:** **US D513,004 S**

(45) **Date of Patent:** **** Dec. 20, 2005**

(54) **COMPUTER MOUSE**

(75) **Inventor:** **Zhen-Bang Chen, San Chong (TW)**

(73) **Assignee:** **KYE Systems Corp. (TW)**

(**) **Term:** **14 Years**

(21) **Appl. No.:** **29/217,880**

(22) **Filed:** **Nov. 22, 2004**

(51) **LOC (6) Cl.** **14-02**

(52) **U.S. Cl.** **D14/408; D14/402**

(58) **Field of Search** **D14/402-410,**
D14/417; 200/5 A, 5 R, 6 A, 6 R; 273/148 B;
74/471 XY; 345/156-167; 463/36-38

(56) **References Cited**

U.S. PATENT DOCUMENTS

- D435,555 S * 12/2000 Swansey D14/402
- D464,651 S * 10/2002 Kerestegian D14/402
- D471,198 S * 3/2003 Guo et al. D14/402

- D478,908 S * 8/2003 Morisawa D14/402
- 6,700,564 B2 * 3/2004 McLoone et al. 345/156
- 6,873,316 B2 * 3/2005 Tichy et al. 345/157

* cited by examiner

Primary Examiner—Pamela Burgess

(74) *Attorney, Agent, or Firm*—Raymond Sun

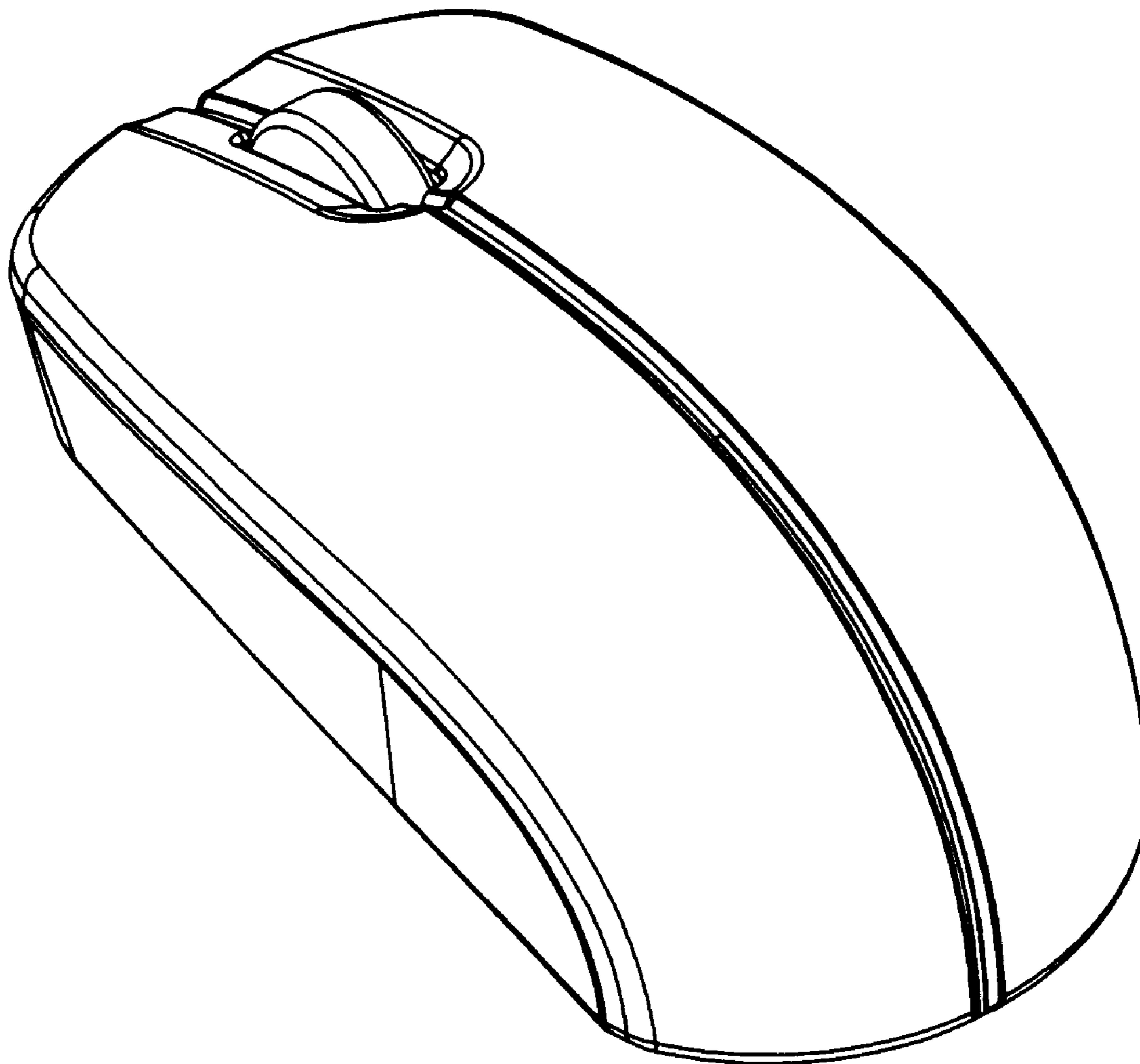
(57) **CLAIM**

The ornamental design for a “computer mouse”, as shown and described.

DESCRIPTION

FIG. 1 is a perspective view of a “computer mouse” showing my design;
 FIG. 2 is a front elevation view thereof;
 FIG. 3 is a rear elevation view thereof;
 FIG. 4 is a left side elevation view thereof;
 FIG. 5 is a right side elevation view thereof;
 FIG. 6 is a top plan view thereof; and,
 FIG. 7 is a bottom plan view thereof.

1 Claim, 4 Drawing Sheets



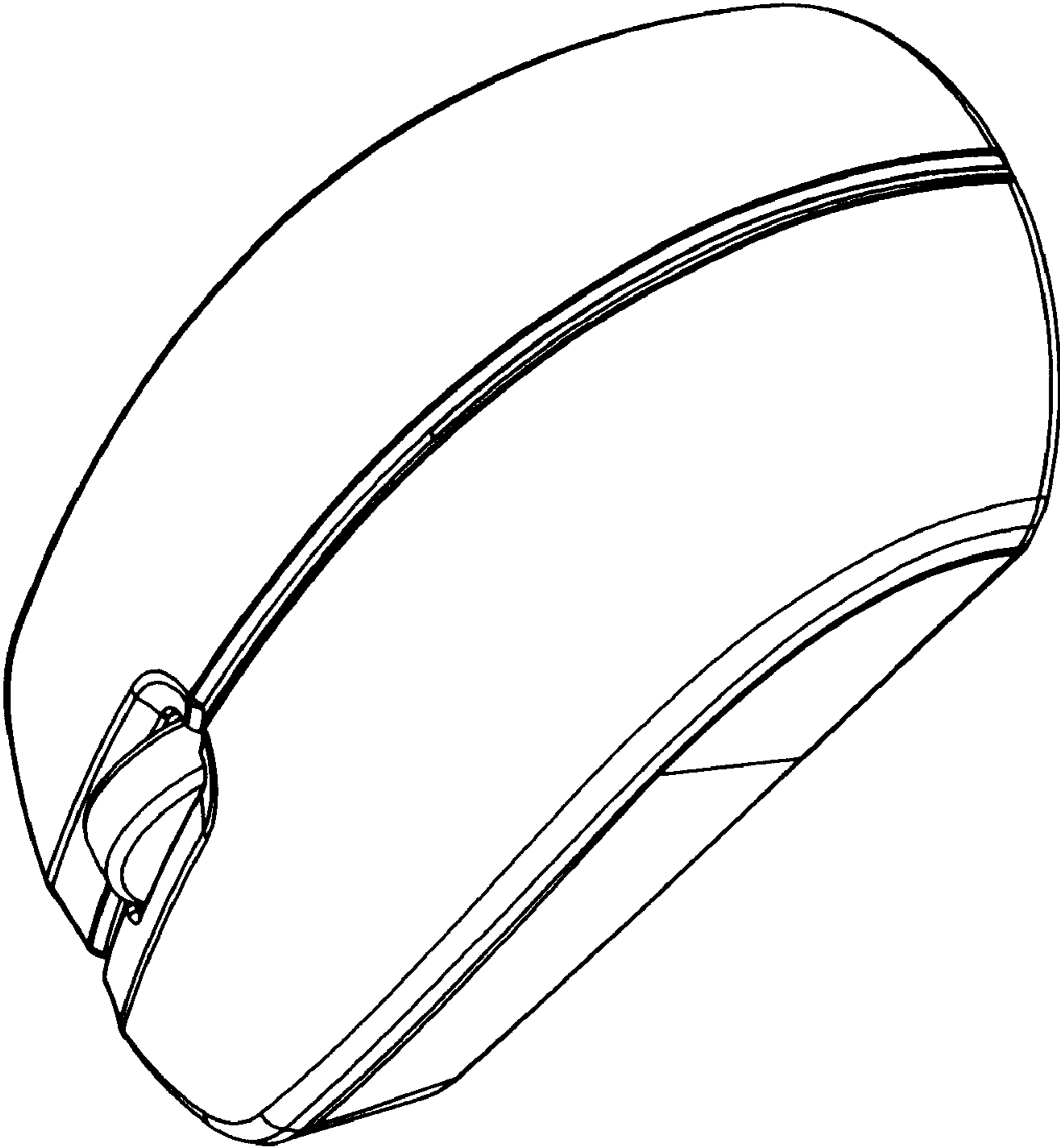


FIG. 1

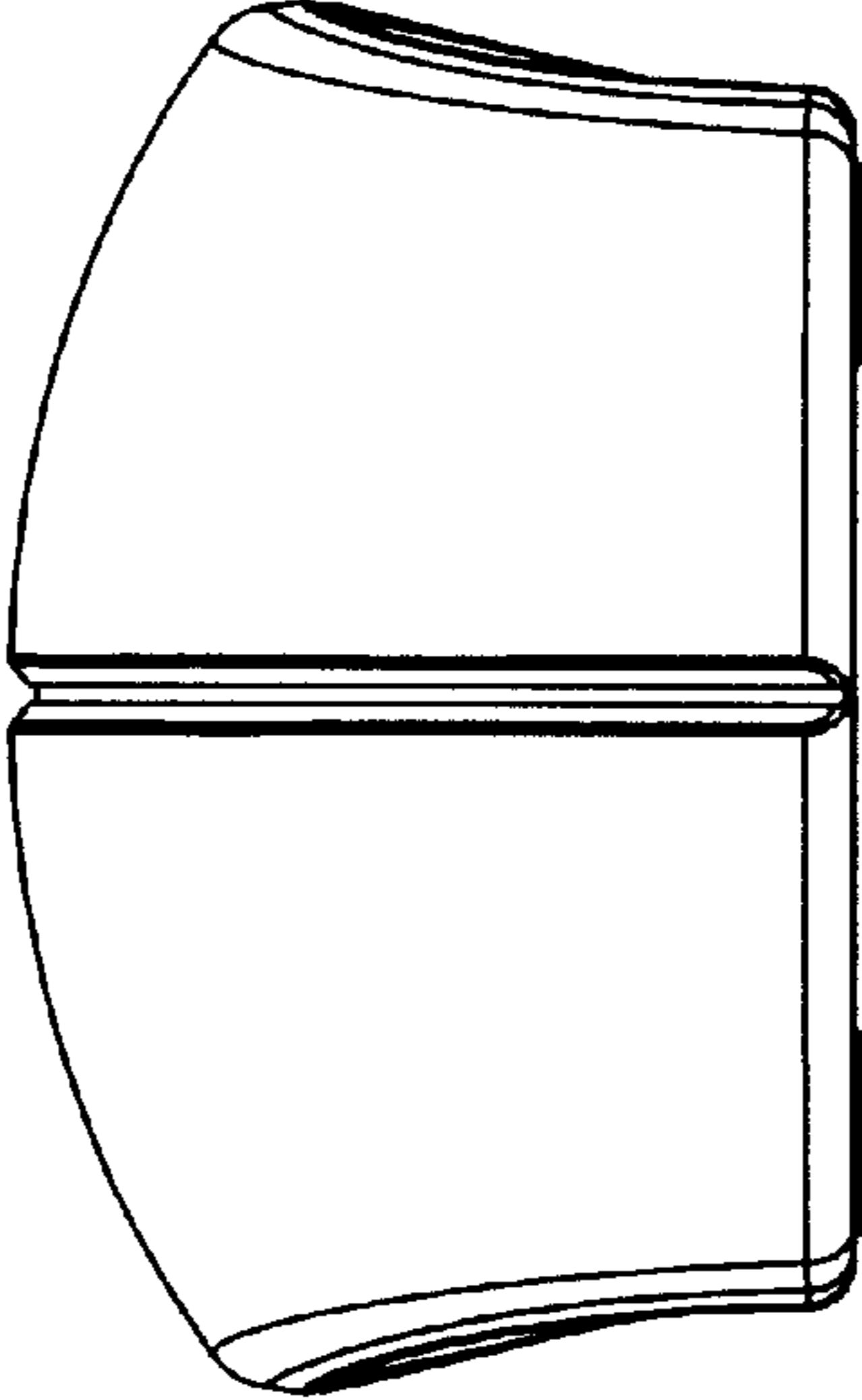


FIG. 3

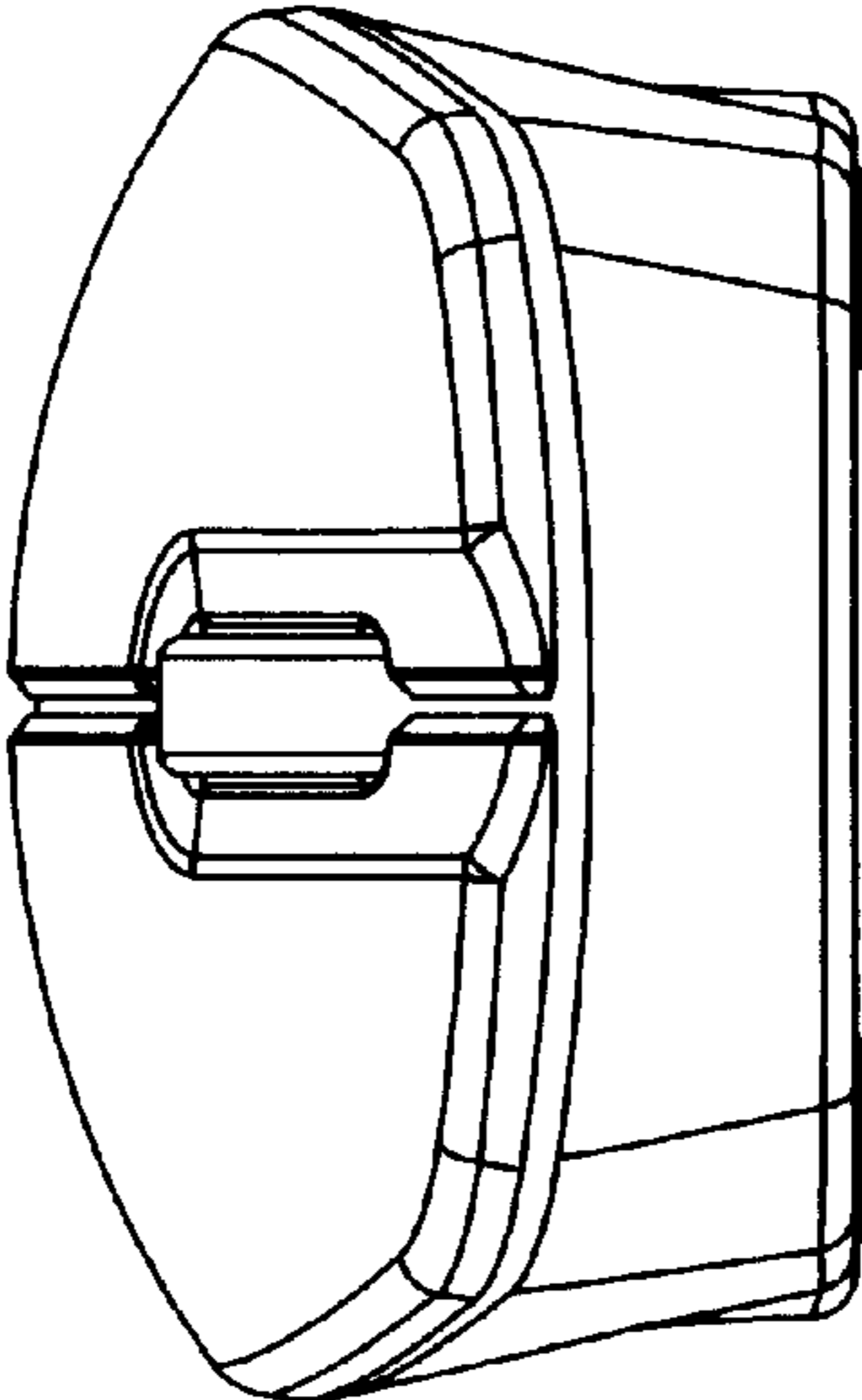


FIG. 2

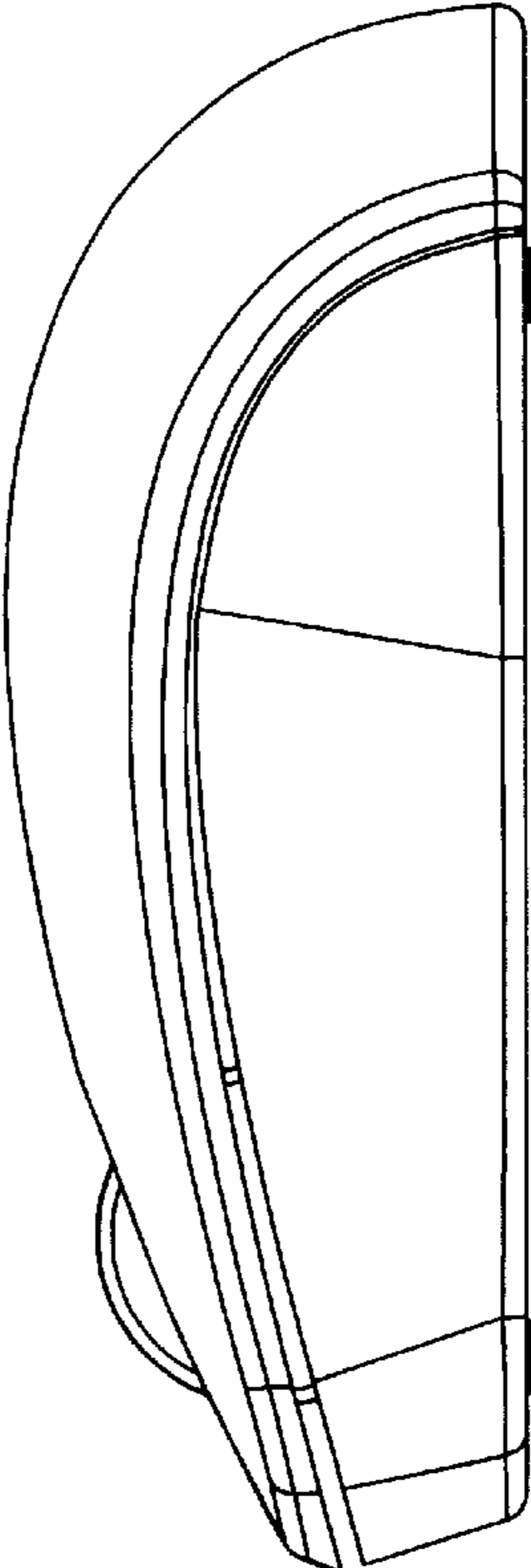


FIG. 4

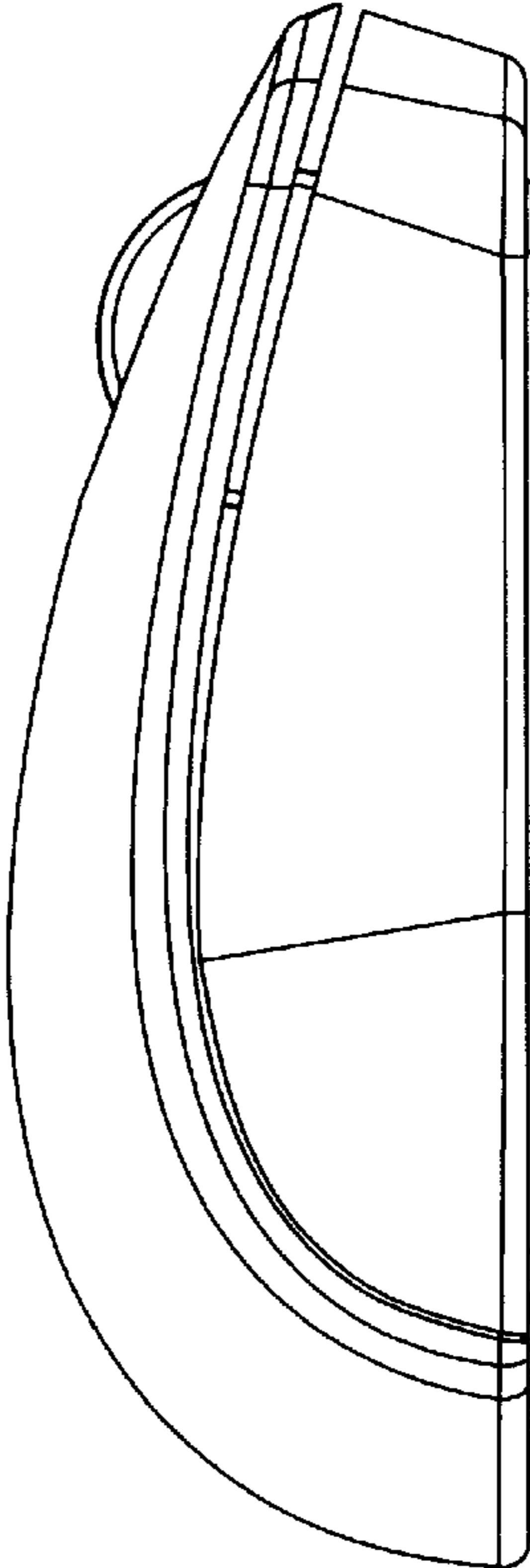


FIG. 5

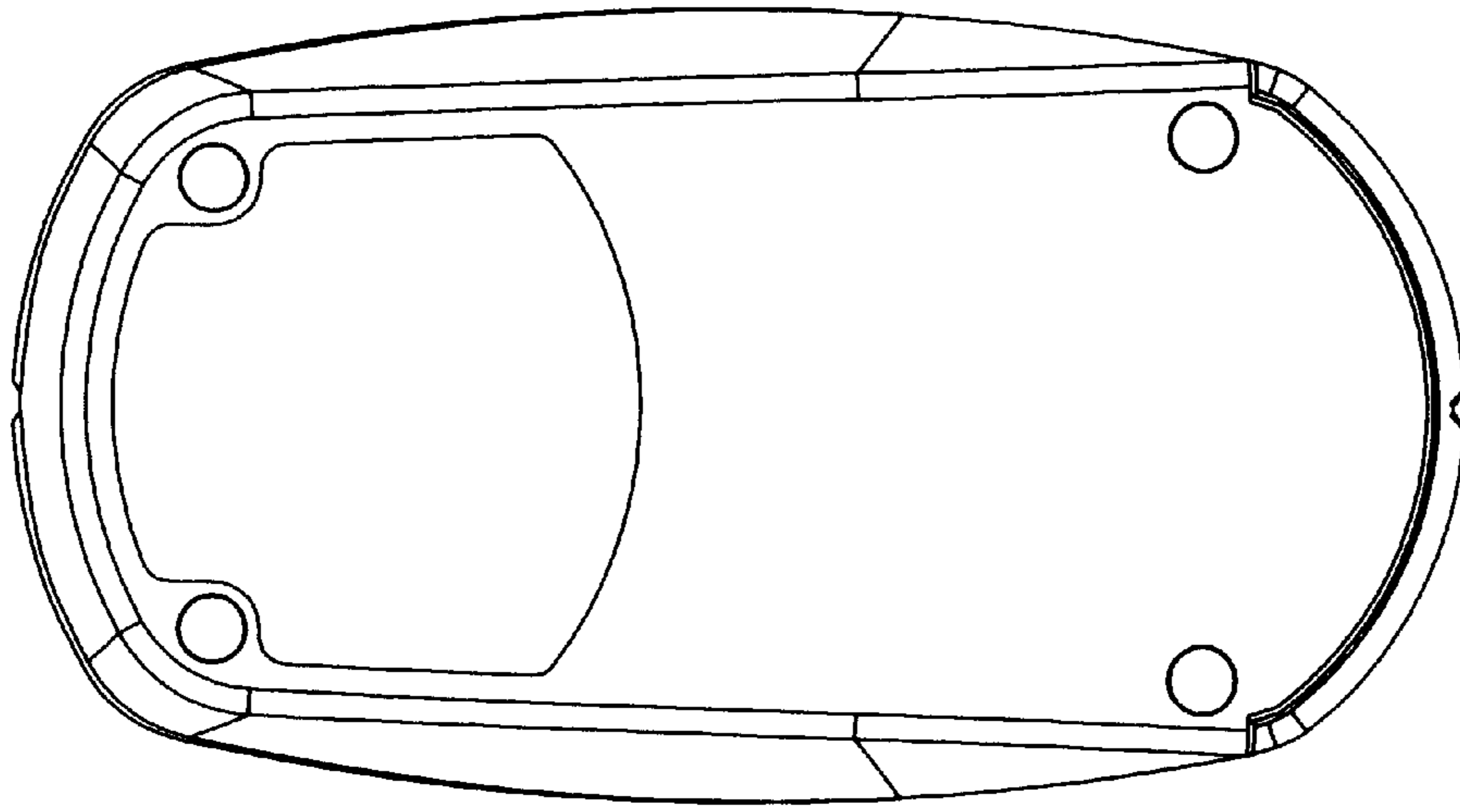


FIG. 7

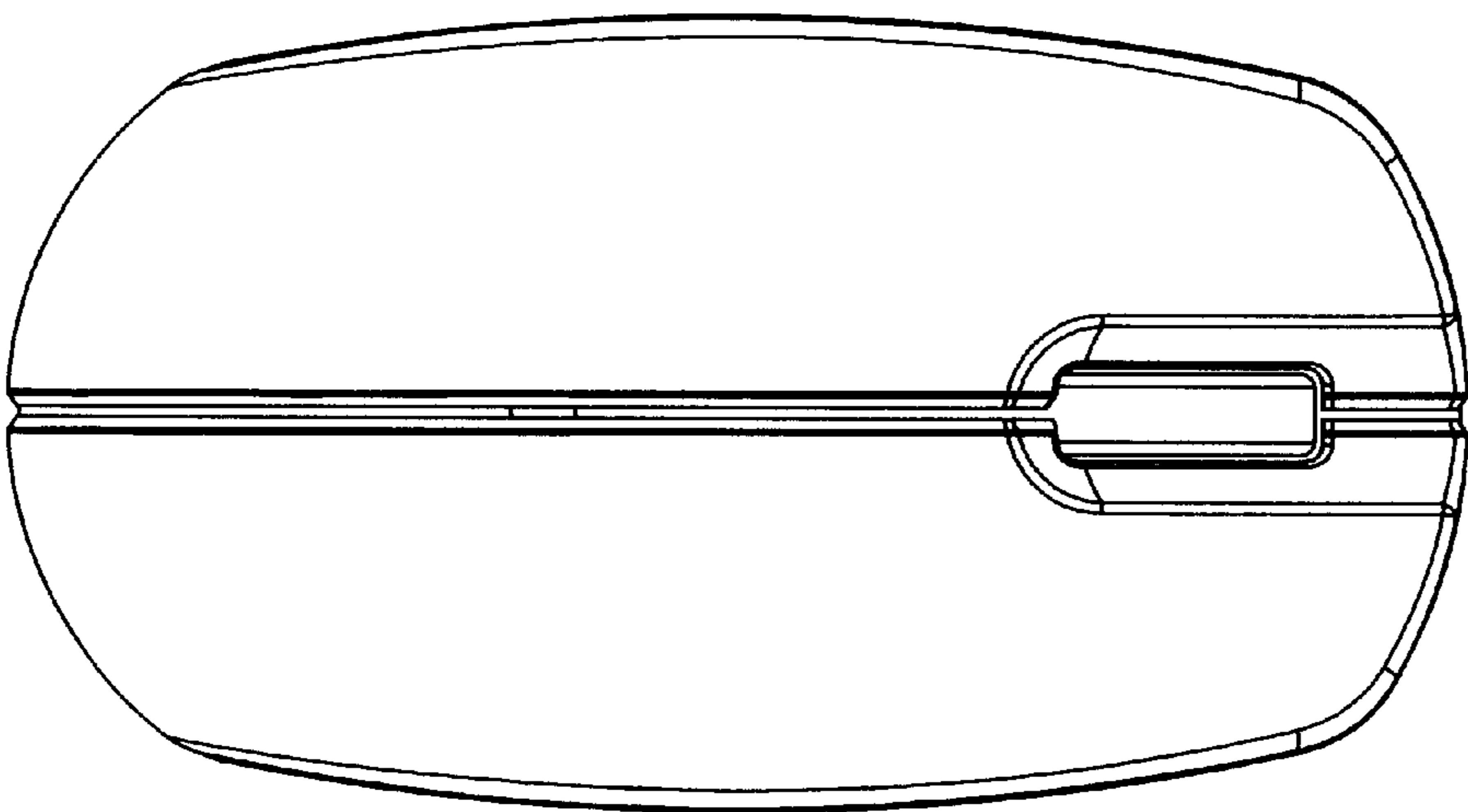


FIG. 6