



US00D512998S

(12) **United States Design Patent**  
**Sogabe**

(10) **Patent No.: US D512,998 S**

(45) **Date of Patent: \*\* Dec. 20, 2005**

(54) **COMPUTER**

D491,935 S \* 6/2004 Chin et al. .... D14/336

(75) Inventor: **Takashi Sogabe**, Tokyo (JP)

**OTHER PUBLICATIONS**

(73) Assignee: **Sony Corporation**, Tokyo (JP)

Webpage, "OQO," <http://www.oqo.com/hardware/photos/>,  
3 sheets, OQO (Jan. 21, 2004).

(\*\*) Term: **14 Years**

\* cited by examiner

(21) Appl. No.: **29/215,738**

*Primary Examiner*—Freda S. Nunn

(22) Filed: **Oct. 25, 2004**

(74) *Attorney, Agent, or Firm*—Rader, Fishman & Gauer  
PLLC

(51) **LOC (6) Cl. .... 14-02**

(52) **U.S. Cl. .... D14/336**

(58) **Field of Search** ..... D14/336-337,  
D14/125-129; 345/104, 156, 168, 173,  
901-905; 348/180, 184, 325, 739; 341/12;  
349/1, 2, 11, 62; 248/917-924

(57) **CLAIM**

The ornamental design for a computer, as shown.

(56) **References Cited**

**U.S. PATENT DOCUMENTS**

D385,872 S	11/1997	Nakamura	
D396,217 S	* 7/1998	Suzuki	..... D14/336
D410,439 S	* 6/1999	Shibata	..... D14/336
D419,535 S	* 1/2000	Tanimura	..... D14/337
D476,327 S	6/2003	Lewis	

**DESCRIPTION**

FIG. 1 is a perspective view of a computer showing my new design;  
FIG. 2 is a front elevational view thereof;  
FIG. 3 is a rear elevational view thereof;  
FIG. 4 is a right side elevational view thereof;  
FIG. 5 is a left side elevational view thereof;  
FIG. 6 is a top plan view thereof; and,  
FIG. 7 is a bottom plan view thereof.

**1 Claim, 4 Drawing Sheets**

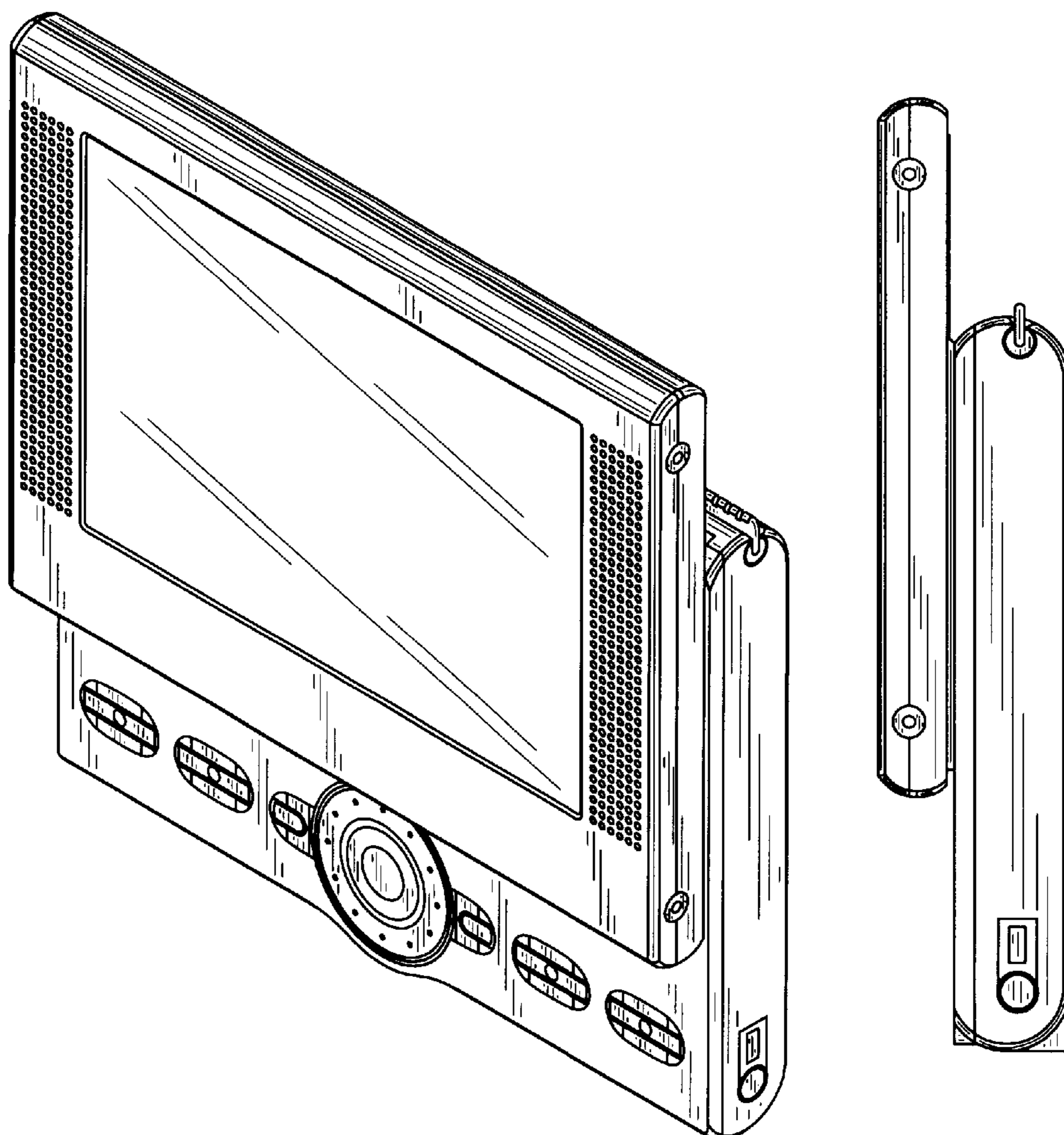


Fig. 1

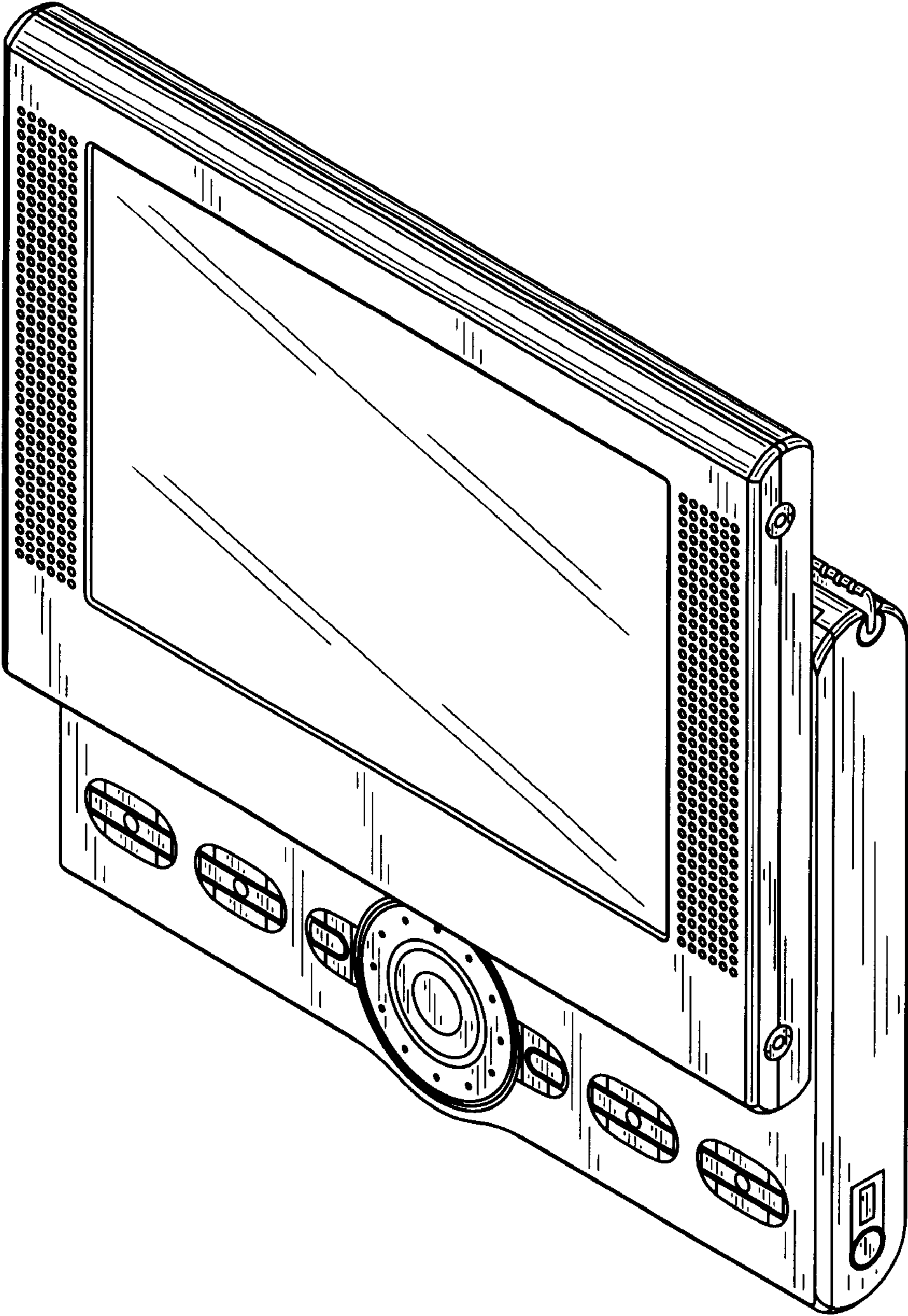


Fig.2

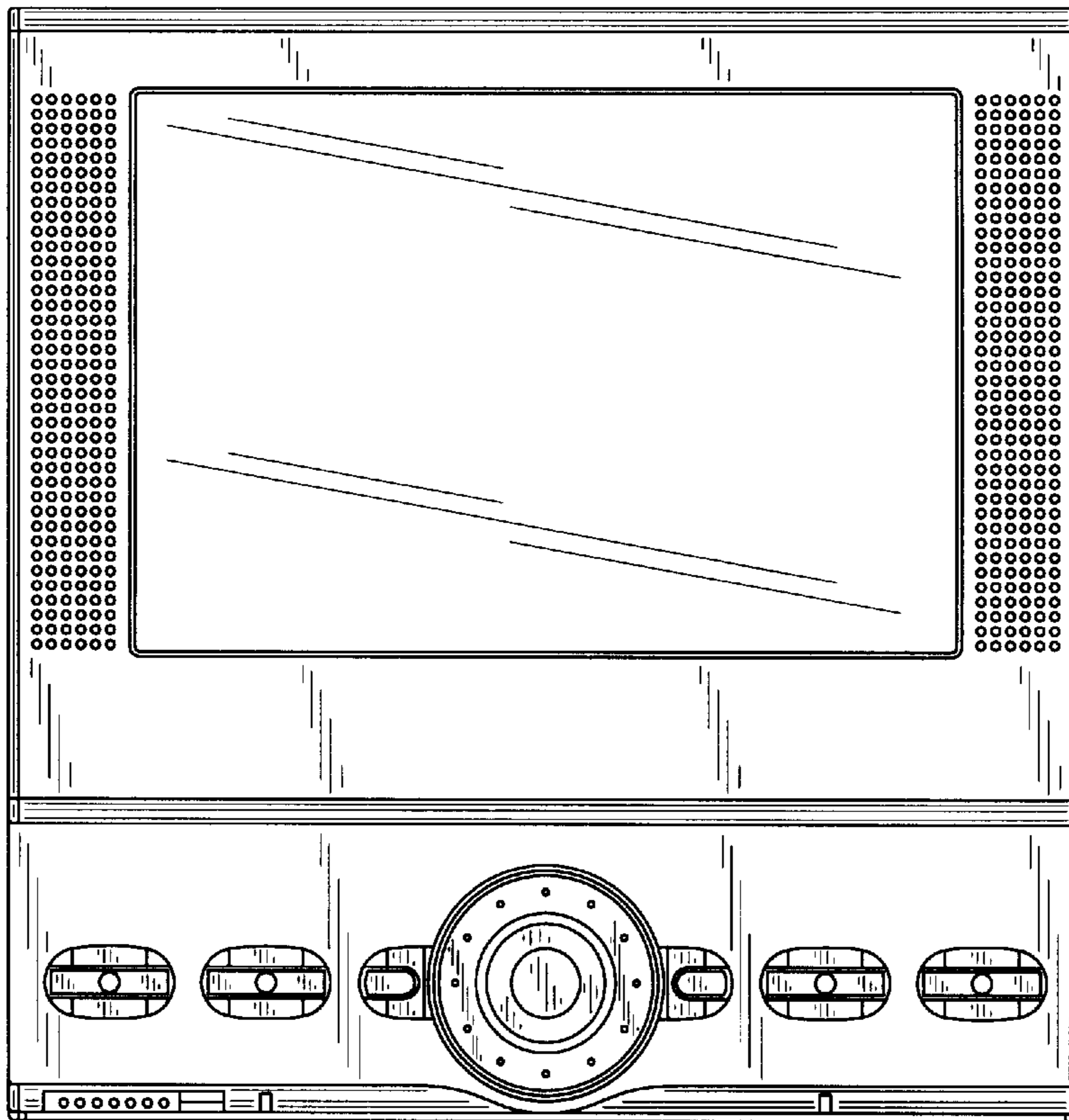


Fig.3

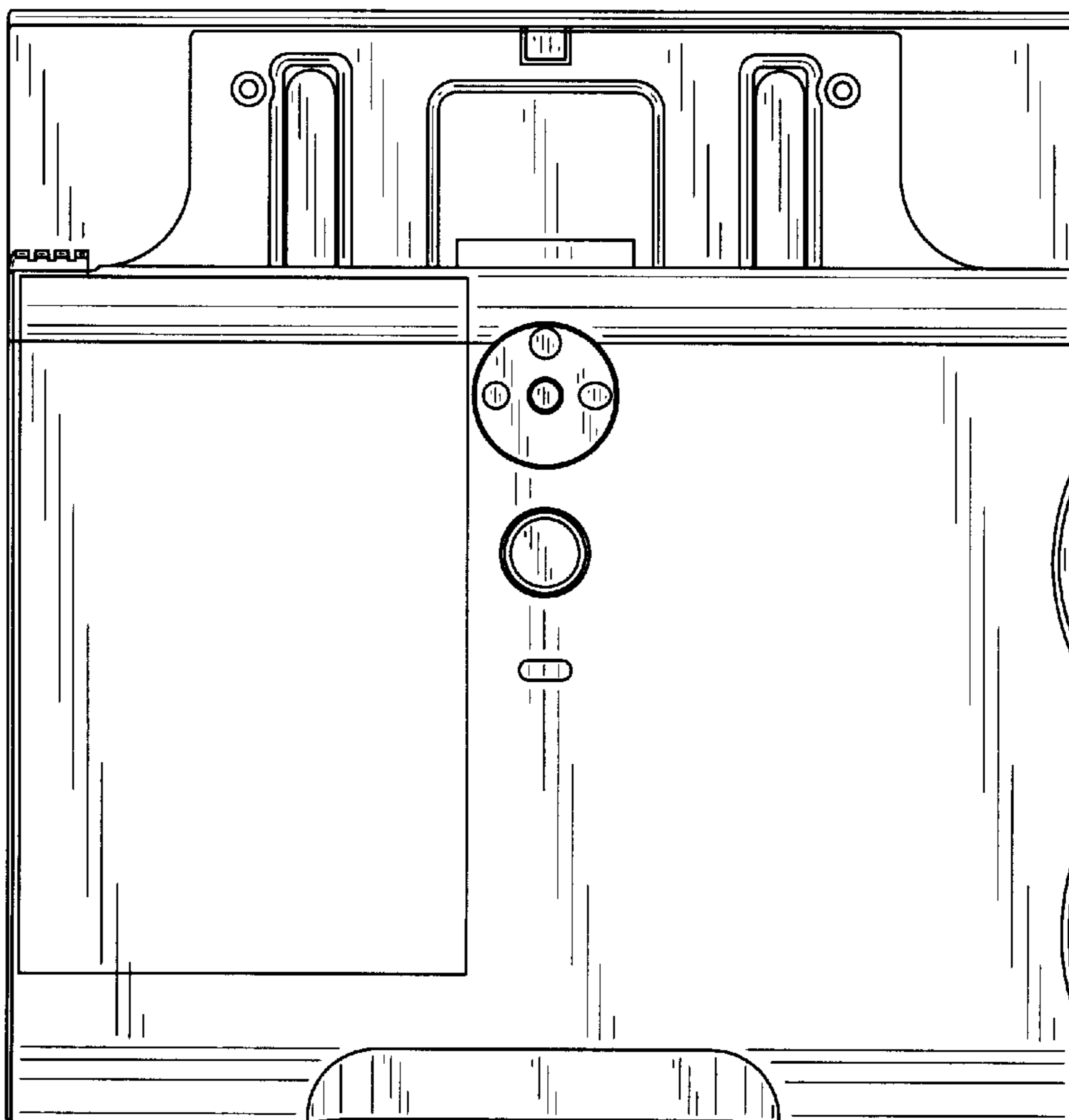


Fig.4

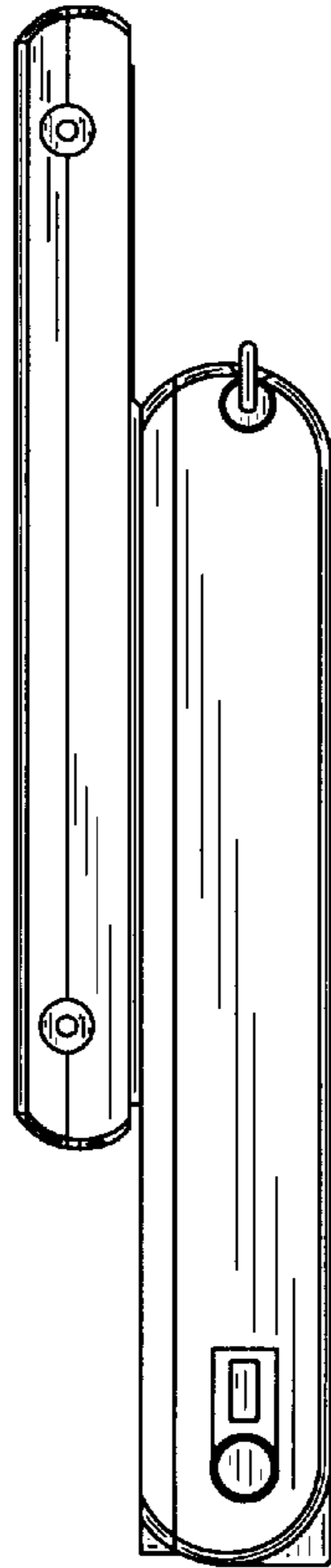


Fig.5



Fig.6

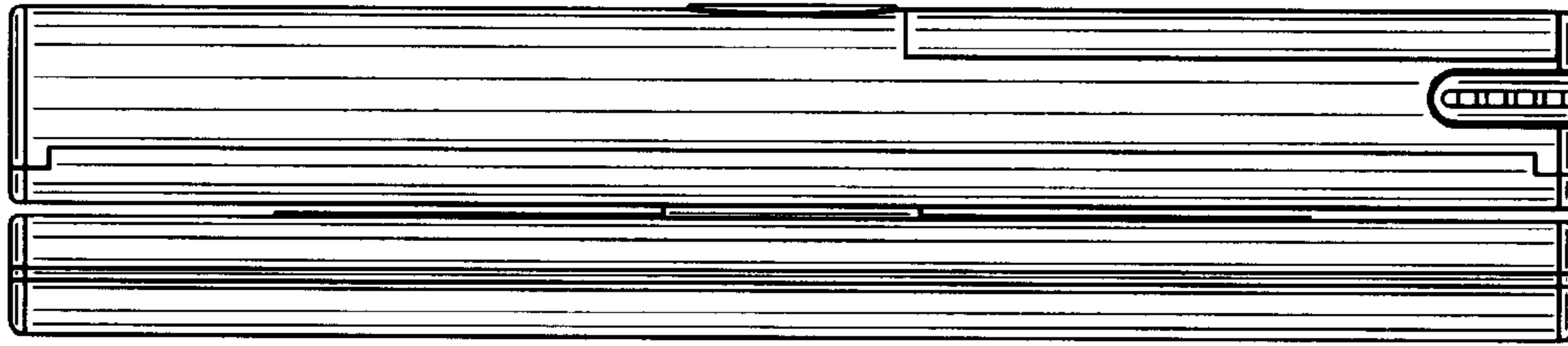


Fig.7

