



US00D512993S

(12) **United States Design Patent** (10) **Patent No.:** **US D512,993 S**
Deguchi (45) **Date of Patent:** **** Dec. 20, 2005**

(54) **HEADPHONE**

(75) Inventor: **Michio Deguchi**, Tokyo (JP)

(73) Assignee: **Sony Computer Entertainment Inc.**,
Tokyo (JP)

(**) Term: **14 Years**

(21) Appl. No.: **29/216,866**

(22) Filed: **Nov. 10, 2004**

(30) **Foreign Application Priority Data**

May 10, 2004 (JP) D2004-013700

(51) **LOC (6) Cl.** **14-01**

(52) **U.S. Cl.** **D14/223**

(58) **Field of Search** D14/167, 192,
D14/205, 206, 218, 223, 299; D3/327,
287, 290; D2/600, 605; D13/168; 2/338;
24/265 R; 381/151, 301, 309, 370, 385,
23.1; 455/90.3

(56) **References Cited**

U.S. PATENT DOCUMENTS

3,868,573	A	*	2/1975	Holcomb et al.	455/90.3
4,156,117	A	*	5/1979	Phillips	381/301
4,633,498	A	*	12/1986	Warnke et al.	381/23.1
D344,522	S	*	2/1994	Taniguchi	D14/218
D344,524	S	*	2/1994	Taniguchi	D14/218
5,617,477	A	*	4/1997	Boyden	381/309
5,680,465	A	*	10/1997	Boyden	381/309
5,687,245	A	*	11/1997	Boyden	381/385
5,815,579	A	*	9/1998	Boyden	381/301
D466,100	S		11/2002	Obata		

FOREIGN PATENT DOCUMENTS

JP D1164092 S 1/2003

* cited by examiner

Primary Examiner—Paula A. Greene

(74) *Attorney, Agent, or Firm*—Rader, Fishman & Grauer PLLC

(57) **CLAIM**

The ornamental design for a headphone, as shown and described.

DESCRIPTION

FIG. 1 is a perspective view of a headphone showing my new design;

FIG. 2 is a front elevational view thereof, showing lines V—V and V'—V';

FIG. 3 is a right side elevational view thereof;

FIG. 4 is a top plan view thereof, showing lines VI—VI and VI'—VI', a bottom elevational view thereof being a mirror image of the top plan view;

FIG. 5 is a partially enlarged front elevational view thereof, taken along between the lines V—V and V'—V' shown in FIG. 2;

FIG. 6 is a partially enlarged top plan view thereof, taken along between the lines VI—VI and VI'—VI' shown in FIG. 4, showing a line X—X;

FIG. 7 is a partially enlarged front elevational view thereof, which is the same view as that shown in FIG. 5, showing a line XI—XI; and

FIG. 8 is a perspective view thereof, showing a using condition;

FIG. 9 is a reference partially enlarged cross sectional view thereof, taken along the line XI—XI shown in FIG. 7;

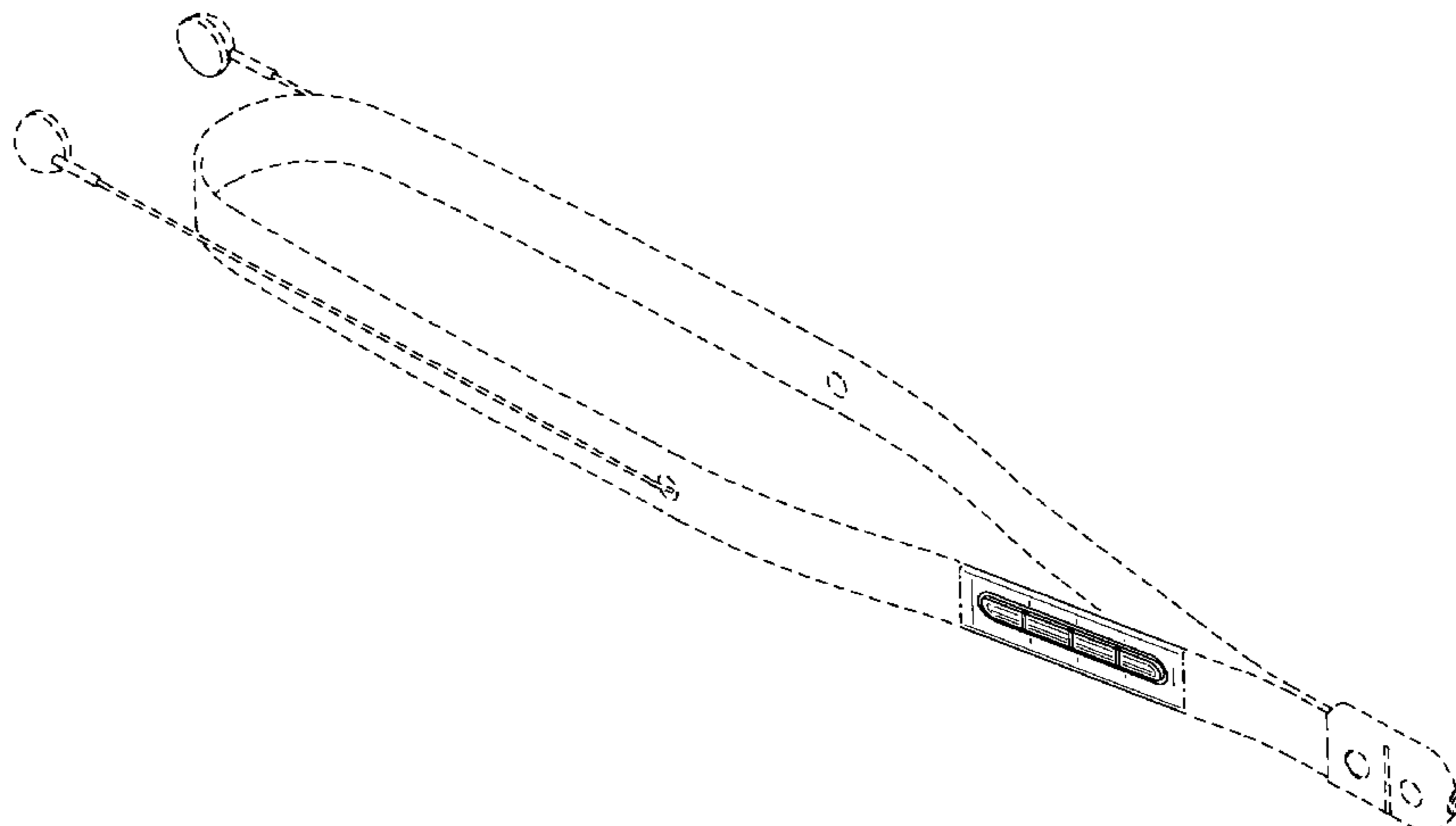
FIG. 10 is a reference enlarged cross sectional view thereof, taken along the line X—X shown in FIG. 6;

FIG. 11 is a reference rear elevational view thereof; and,

FIG. 12 is a reference left side elevational view thereof.

The broken lines showing of the environment and the reference views are for illustrative purposes only and form no part of the claimed design. The dash-dot lines define, but are not included in, the boundaries of the claimed design.

1 Claim, 9 Drawing Sheets



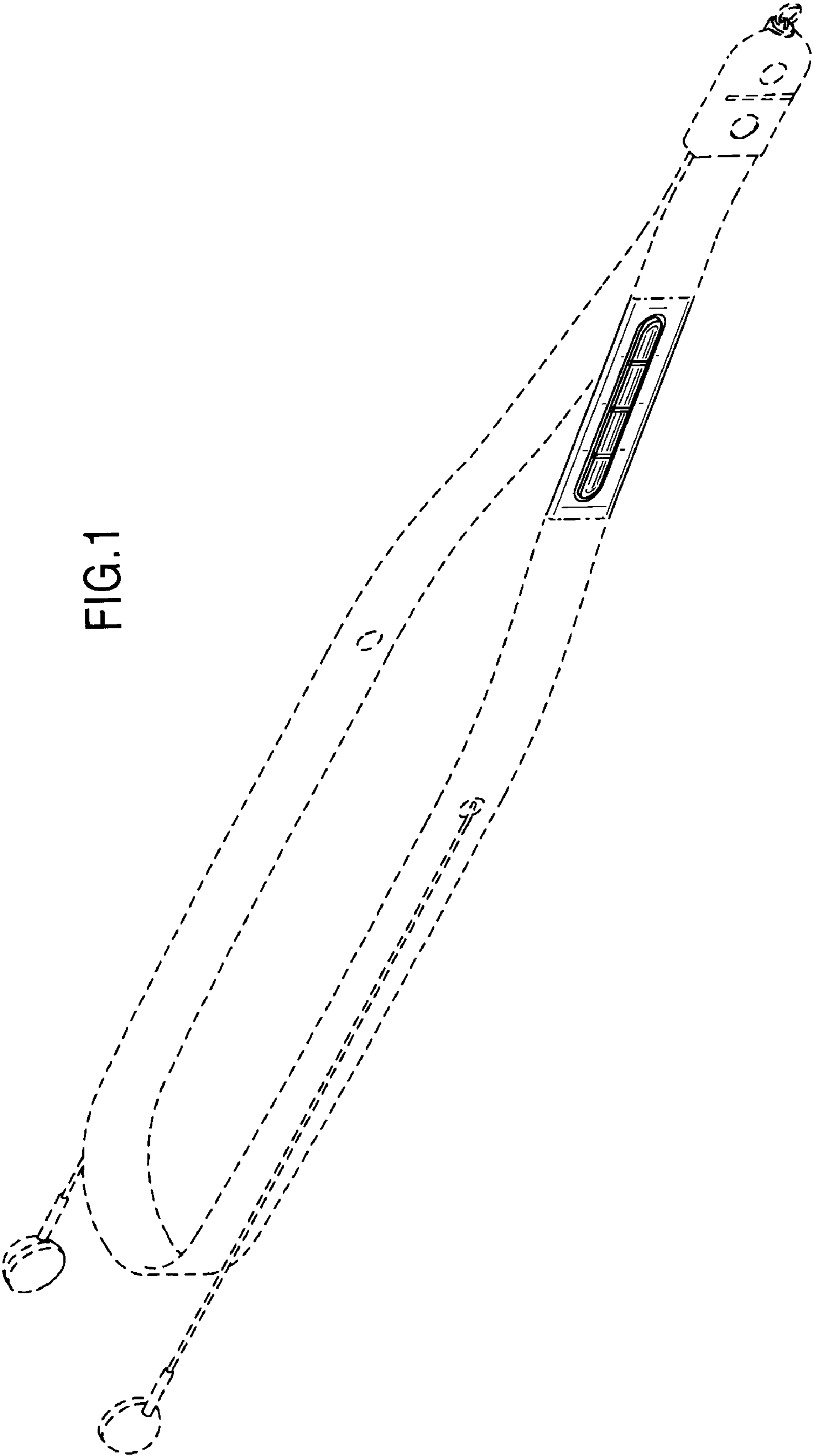


FIG. 1

FIG.2

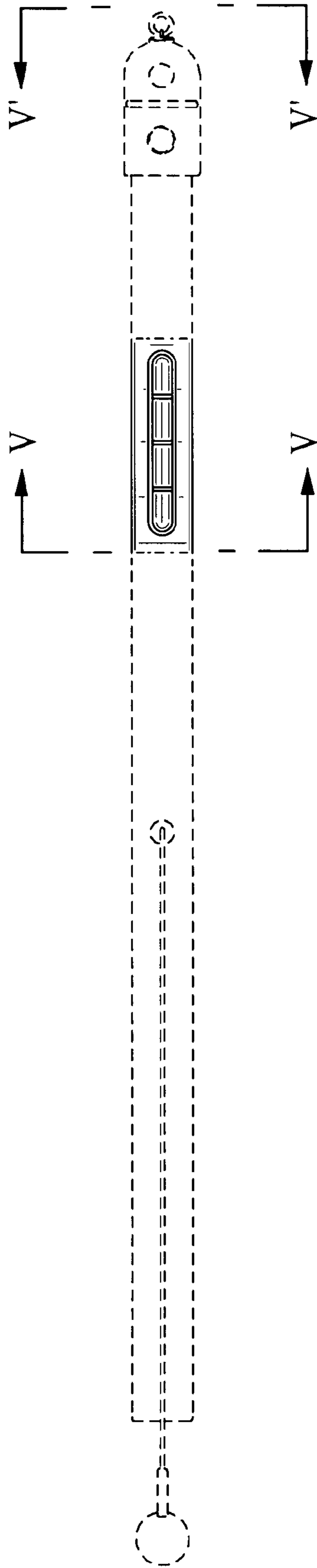


FIG. 3

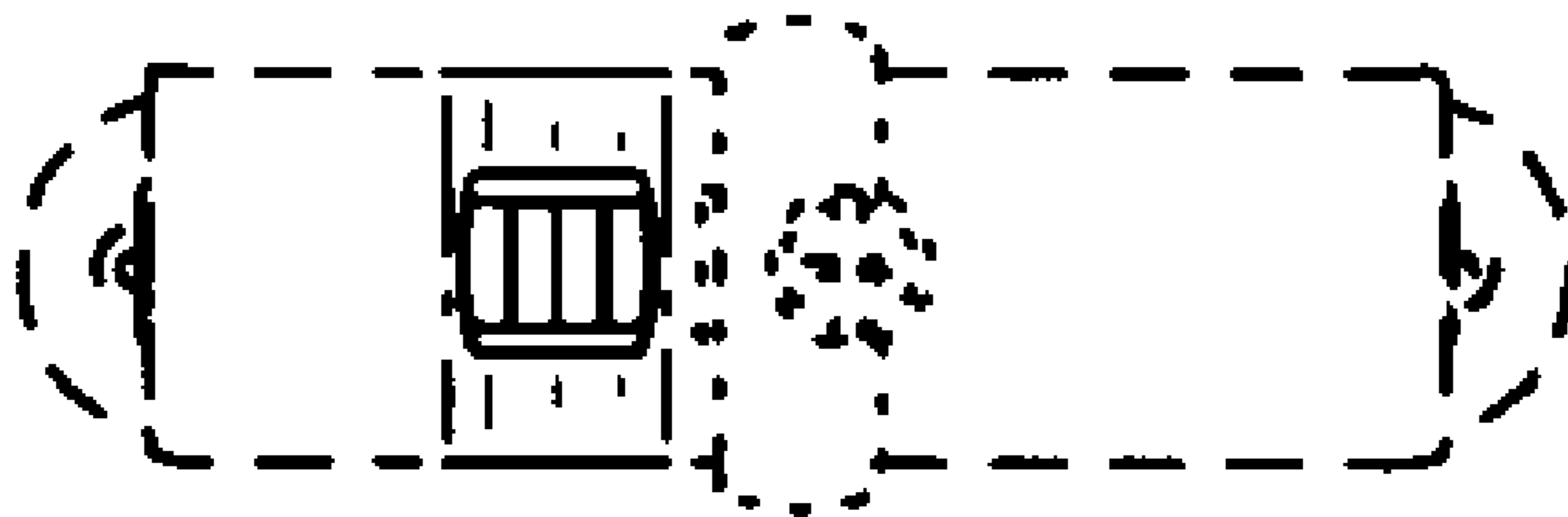


FIG.4

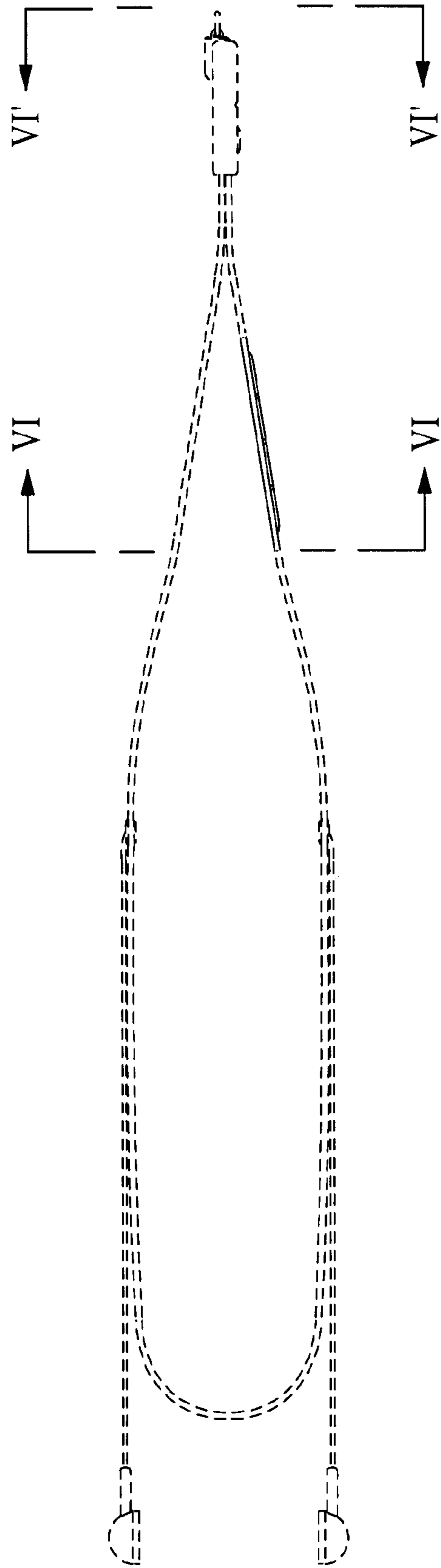


FIG.5



FIG.6

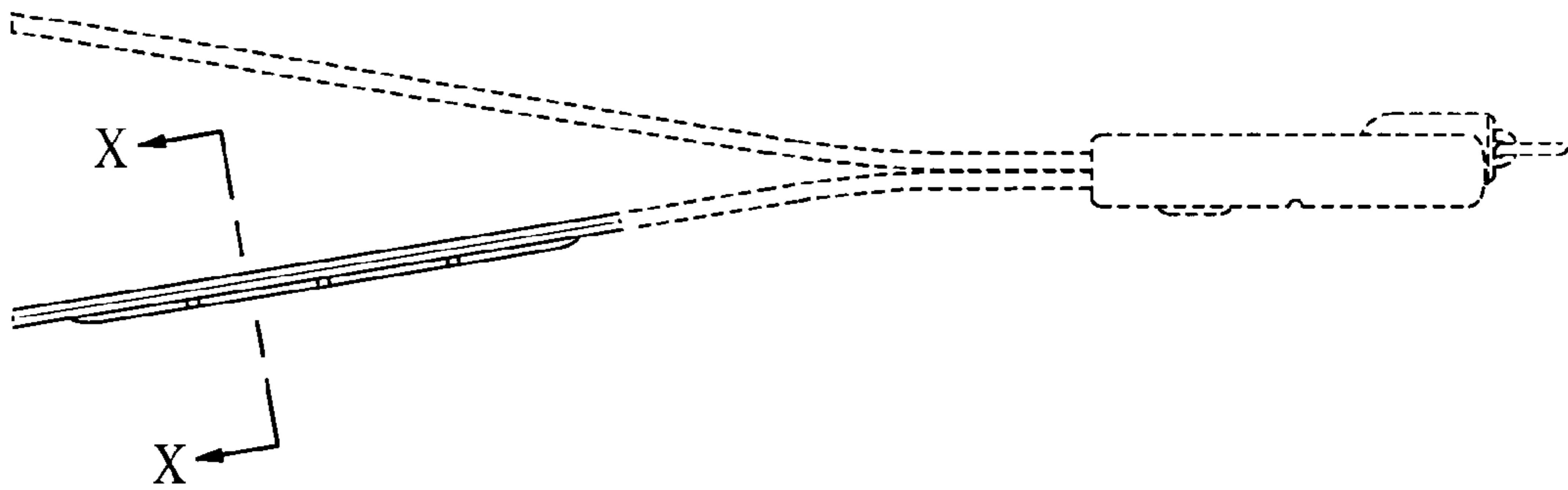
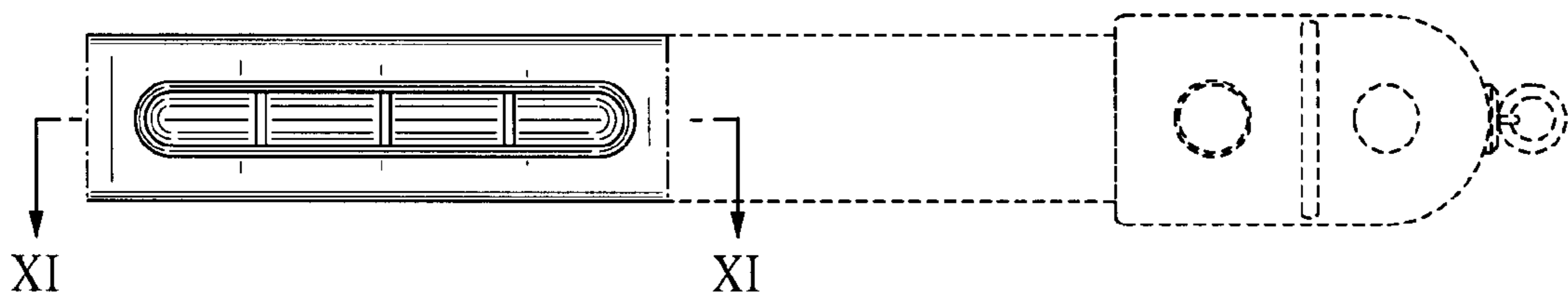


FIG.7



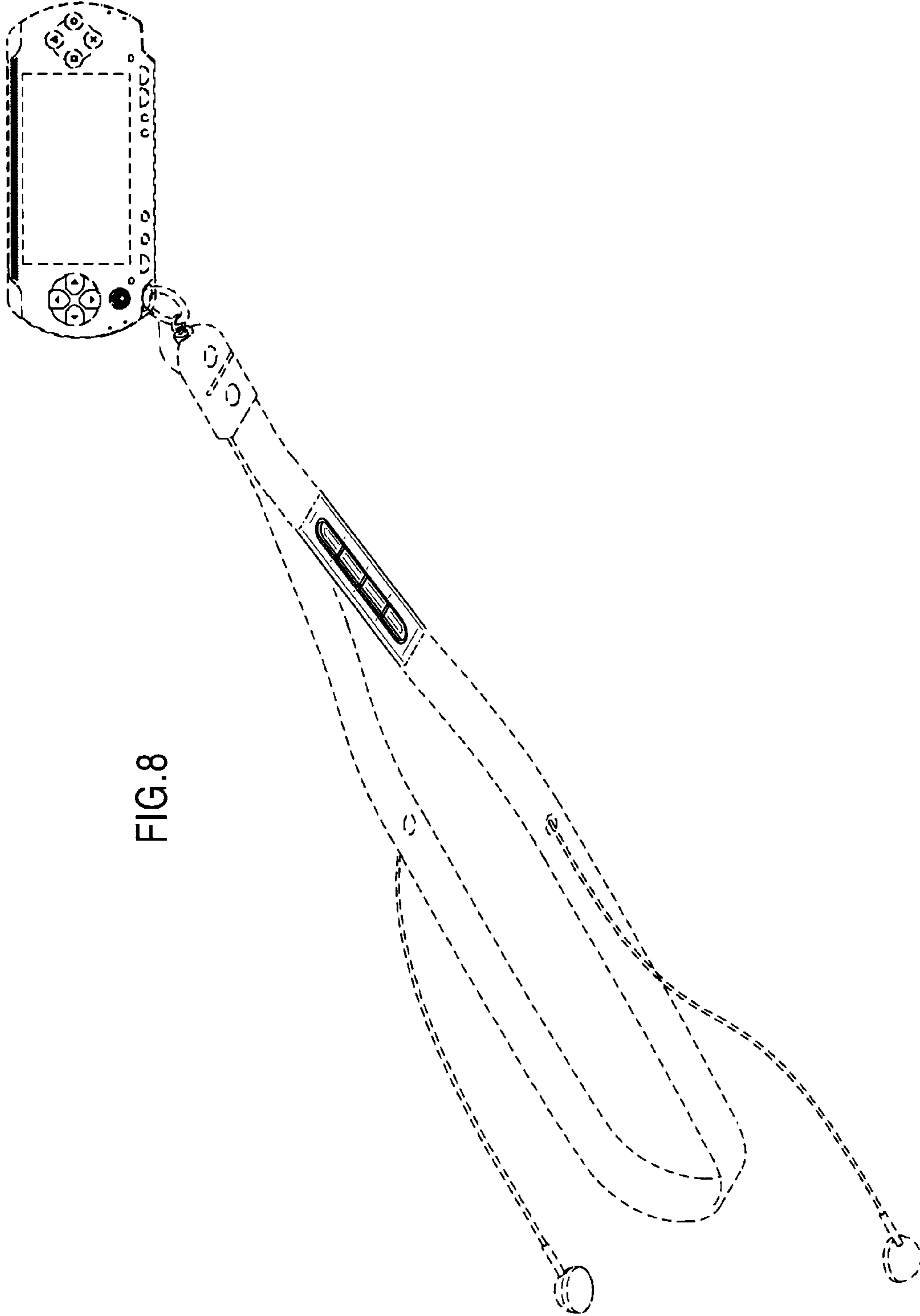


FIG. 8

FIG.9

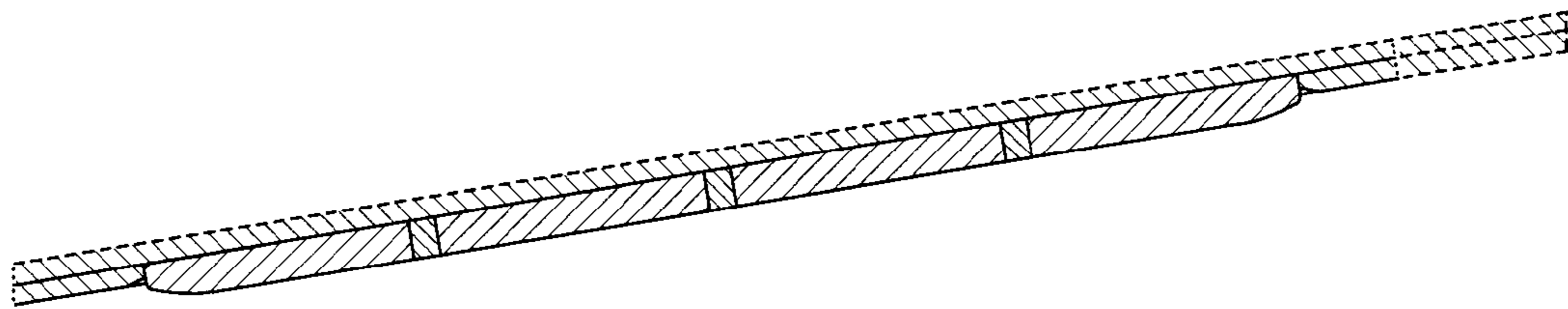


FIG.10

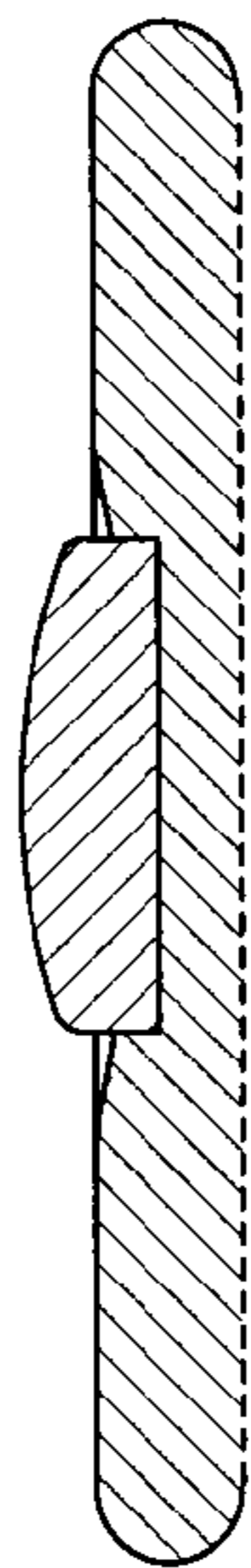


FIG.11

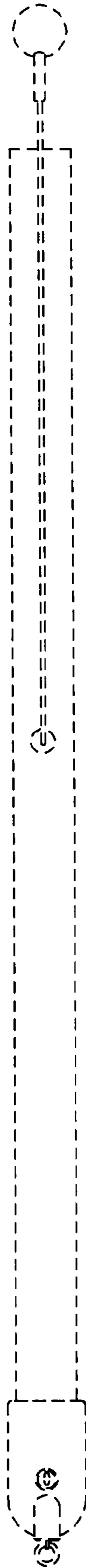


FIG. 12

