



US00D512992S

(12) **United States Design Patent**  
**Murakami**

(10) **Patent No.:** **US D512,992 S**  
(45) **Date of Patent:** **\*\* Dec. 20, 2005**

- (54) **COMBINED HEADPHONE AND MICROPHONE**
- (75) Inventor: **Tomonari Murakami, Tokyo (JP)**
- (73) Assignee: **Sony Corporation, Tokyo (JP)**
- (\*\*) Term: **14 Years**
- (21) Appl. No.: **29/216,363**
- (22) Filed: **Nov. 3, 2004**
- (51) **LOC (6) Cl.** ..... **14-01**
- (52) **U.S. Cl.** ..... **D14/223**
- (58) **Field of Search** ..... D14/142, 188,  
D14/192, 205, 206, 223; D24/174; 181/129,  
130; 379/430; 381/330, 370, 381, 385,  
378, 379, 374-377

- D472,231 S \* 3/2003 Eisenbraun ..... D14/223
- D472,890 S \* 4/2003 Suzuki
- D476,645 S \* 7/2003 Padala et al. .... D14/223
- D495,685 S \* 9/2004 Hirano

**FOREIGN PATENT DOCUMENTS**

- JP D1165586 S \* 2/2003
- JP D1177879 S \* 6/2003

\* cited by examiner

*Primary Examiner*—Paula A. Greene

(74) *Attorney, Agent, or Firm*—Rader, Fishman & Grauer PLLC

(57) **CLAIM**

The ornamental design for a combined headphone and microphone, as shown.

**DESCRIPTION**

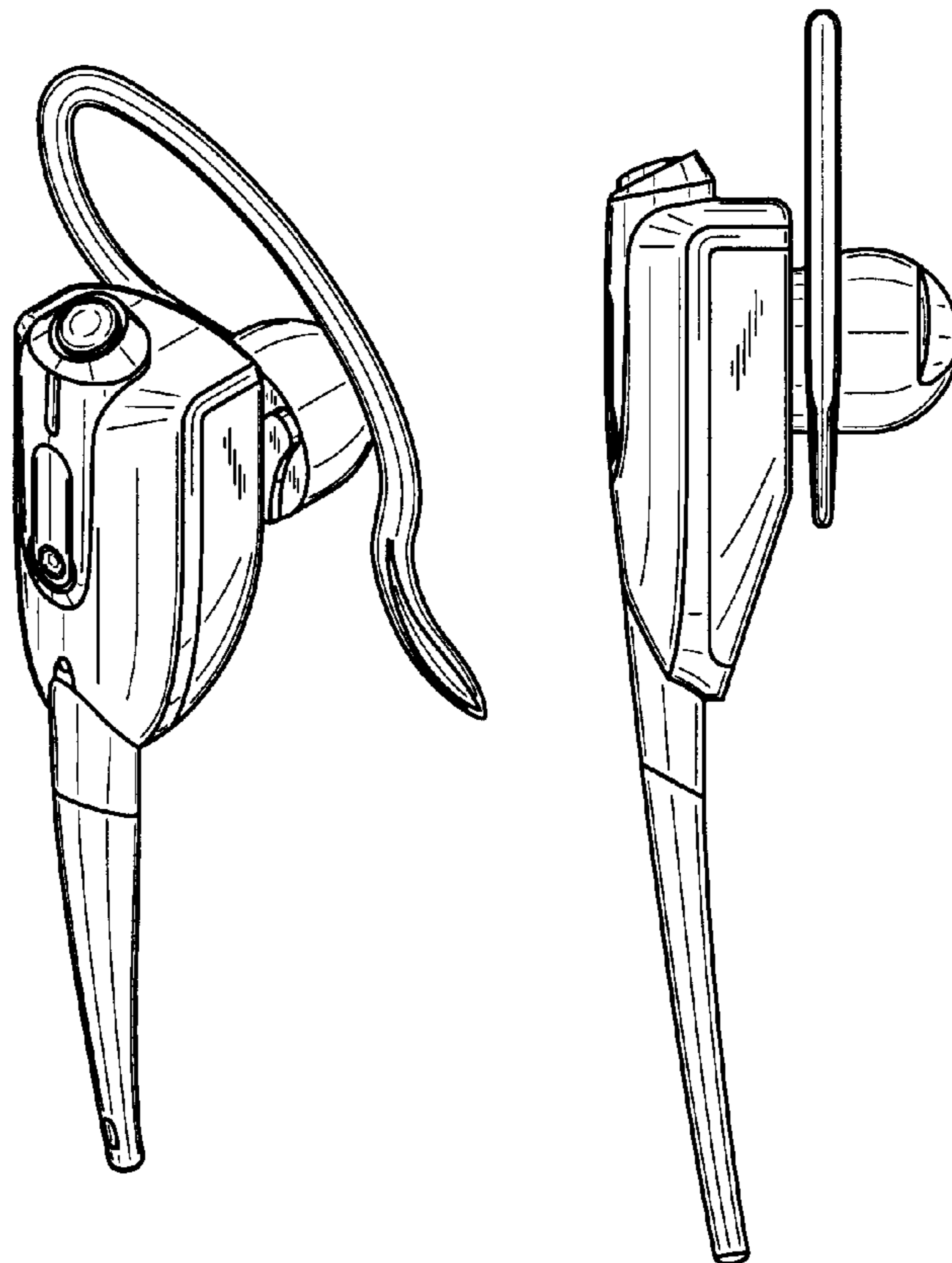
FIG. 1 is a perspective view of a combined headphone and microphone showing my new design;  
 FIG. 2 is a front elevation view thereof;  
 FIG. 3 is a rear elevational view thereof;  
 FIG. 4 is a left side elevational view thereof;  
 FIG. 5 is a right side elevational view thereof;  
 FIG. 6 is a top plan view thereof; and,  
 FIG. 7 is a bottom plan view thereof.

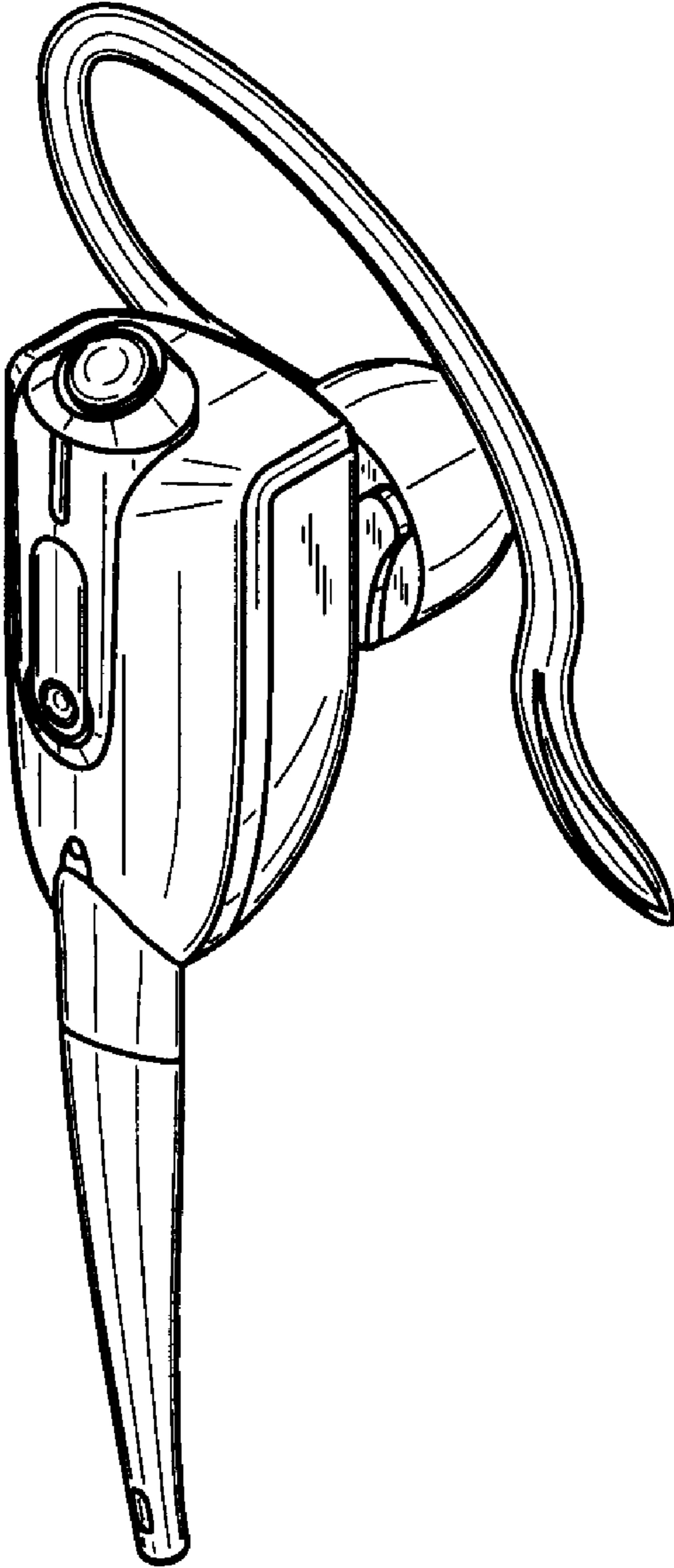
**1 Claim, 4 Drawing Sheets**

(56) **References Cited**

**U.S. PATENT DOCUMENTS**

- D366,486 S \* 1/1996 Runquist et al. .... D14/206
- D375,313 S \* 11/1996 Jensen et al. .... D14/206
- D431,235 S \* 9/2000 Lyman et al. .... D14/142
- D439,890 S \* 4/2001 Skulley et al. .... D14/223
- D451,907 S \* 12/2001 Amae et al. .... D14/223
- D452,857 S \* 1/2002 Hong ..... D14/223
- D455,732 S \* 4/2002 Skulley et al. .... D14/223
- D464,943 S \* 10/2002 Lai ..... D14/206
- D470,835 S \* 2/2003 Bey et al. .... D14/223





**FIG. 1**

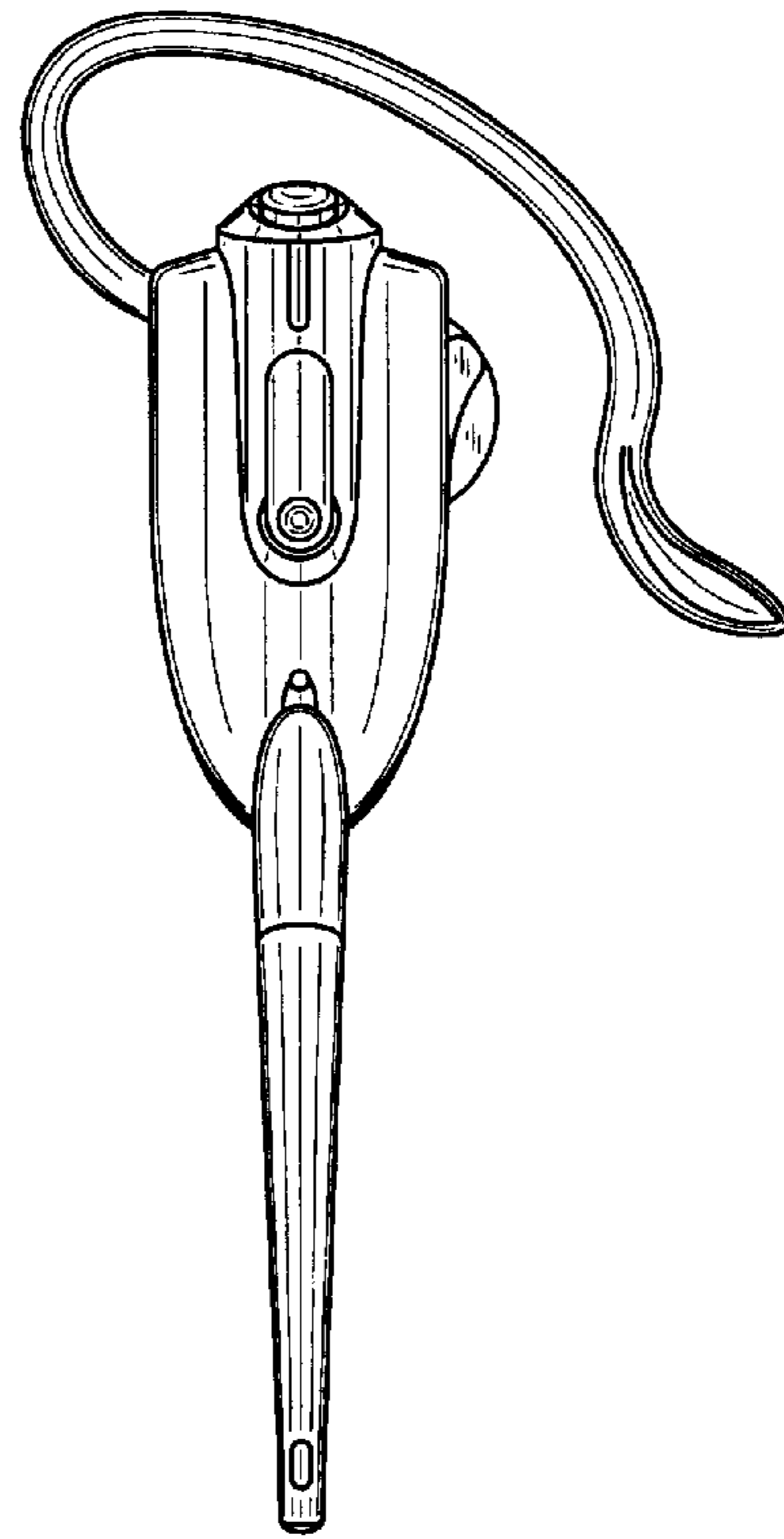


FIG. 2

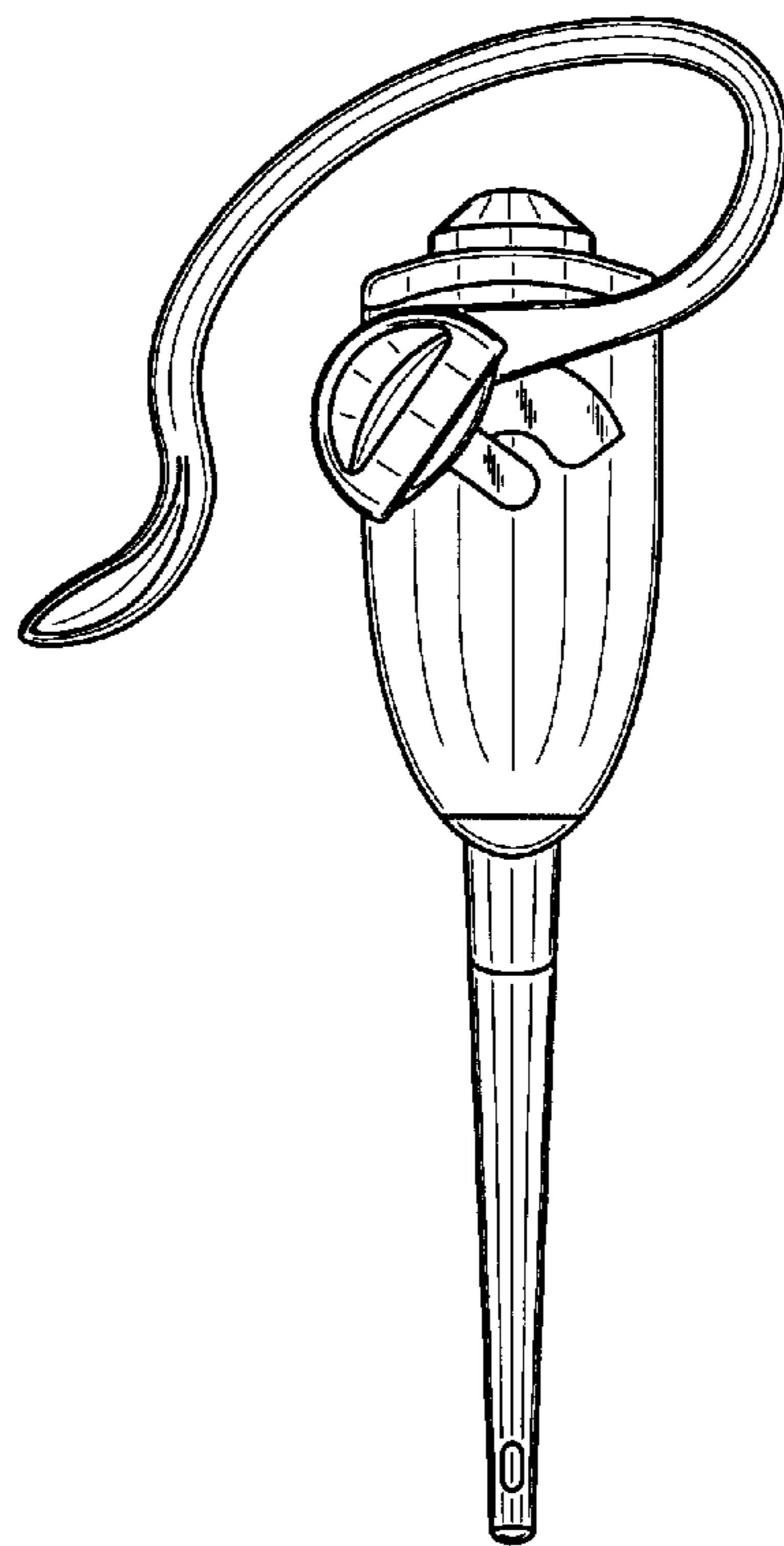


FIG. 3



FIG. 4

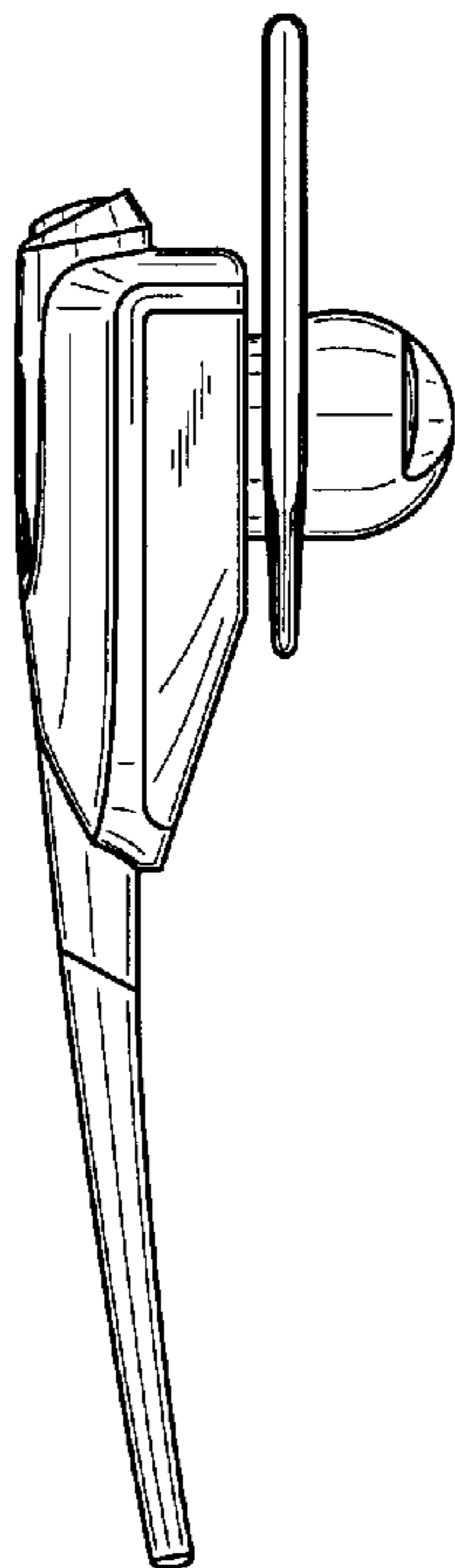
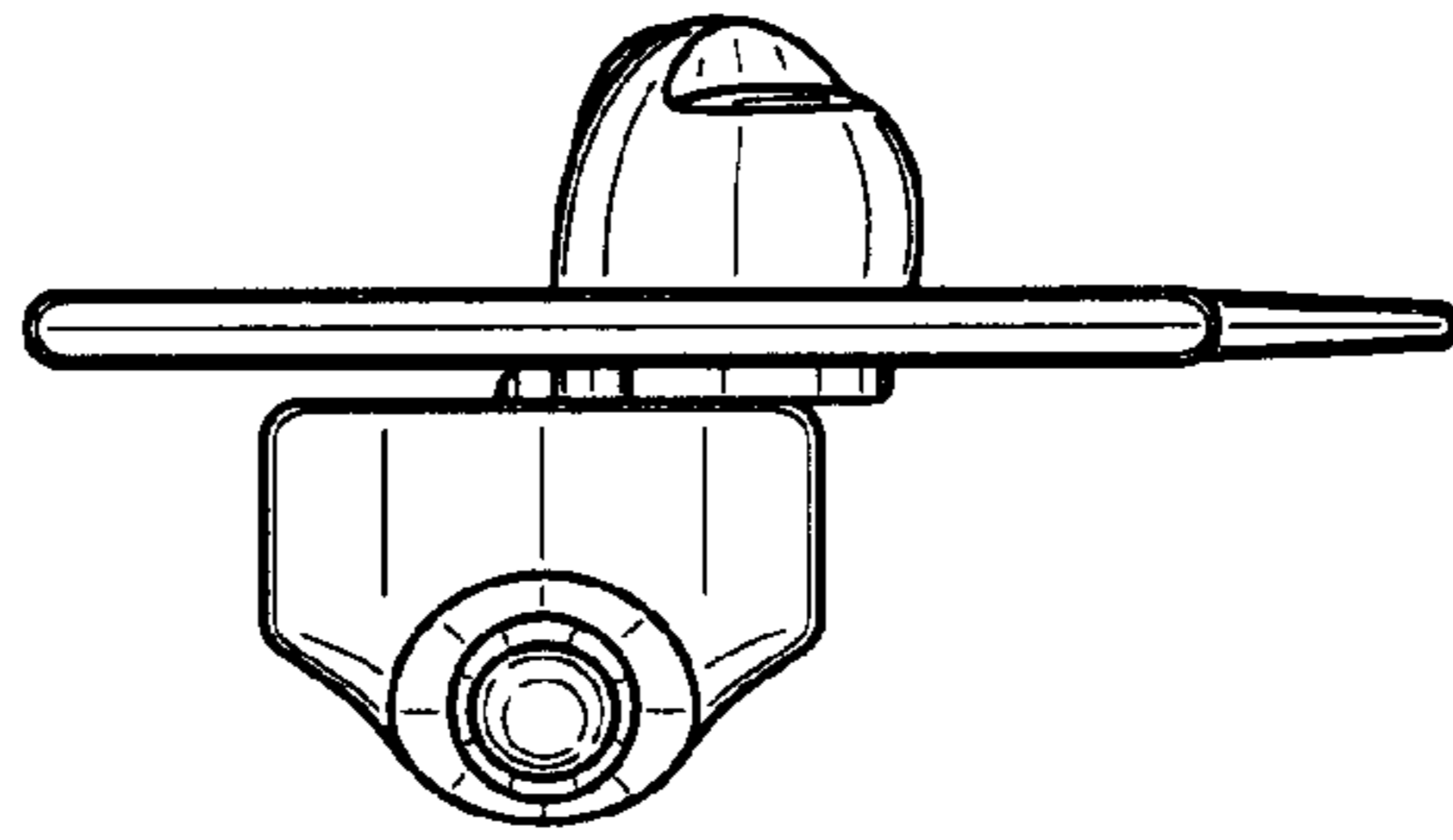
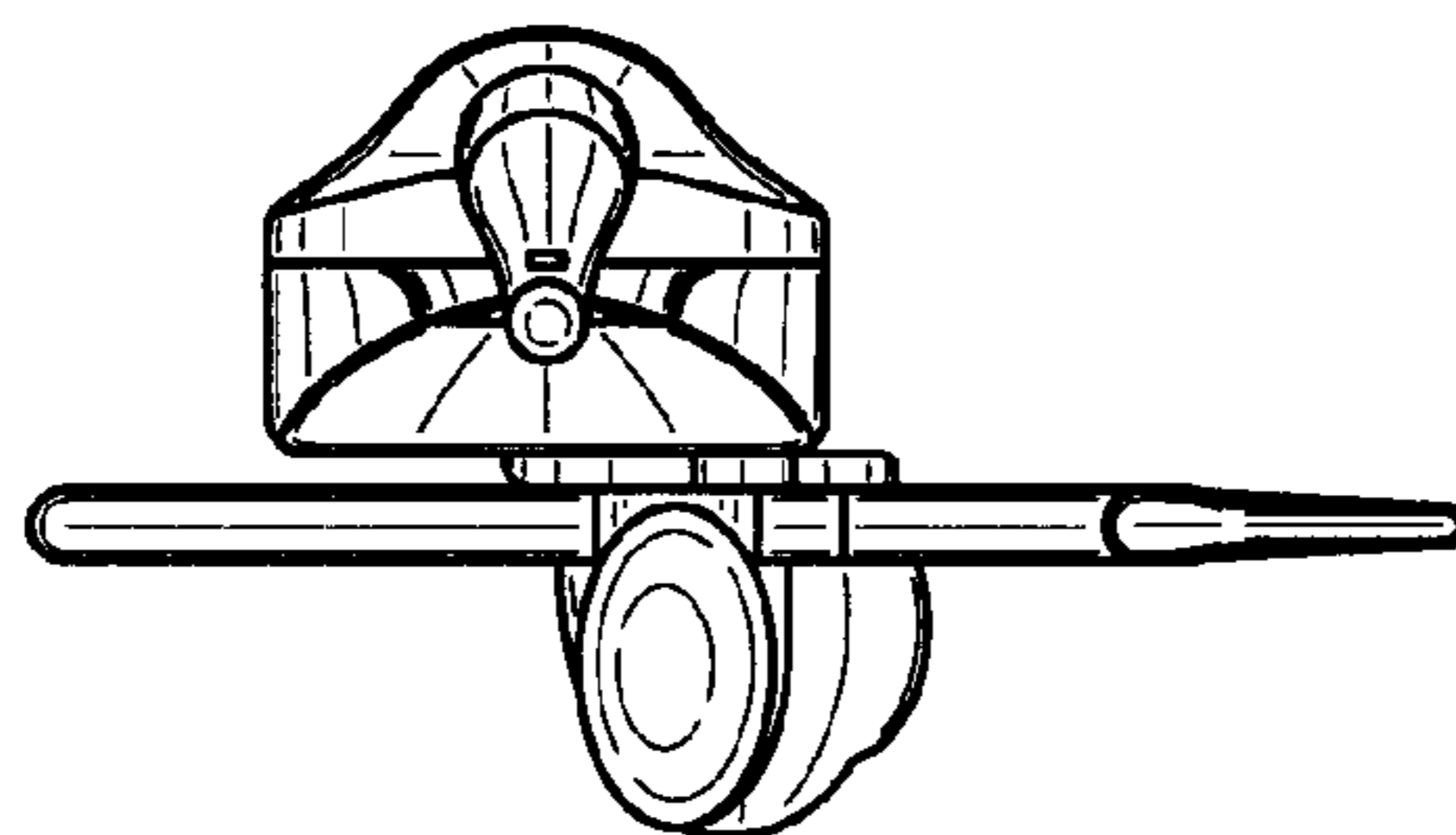


FIG. 5



*FIG. 6*



*FIG. 7*