



US00D512991S

(12) **United States Design Patent**  
**Yano**

(10) **Patent No.:** **US D512,991 S**

(45) **Date of Patent:** **\*\* Dec. 20, 2005**

(54) **HEADSET**

(75) **Inventor:** **Ken Yano, Malmö (SE)**

(73) **Assignee:** **Sony Ericsson Mobile Communications AB, Lund (SE)**

(\*\*) **Term:** **14 Years**

(21) **Appl. No.:** **29/216,063**

(22) **Filed:** **Oct. 29, 2004**

(30) **Foreign Application Priority Data**

May 3, 2004 (EM) ..... 173893

(51) **LOC (6) Cl.** ..... **14-01**

(52) **U.S. Cl.** ..... **D14/223**

(58) **Field of Search** ..... D14/188, 192,  
D14/205, 206, 223; D24/174; 379/430,  
446; 381/381, 378, 379, 374, 376, 377,  
330, 370; 181/129-130

(56) **References Cited**

**U.S. PATENT DOCUMENTS**

D463,791 S \* 10/2002 Nagai et al. .... D14/223  
D471,889 S \* 3/2003 Rath et al. .... D14/205  
D478,574 S \* 8/2003 Ming ..... D14/223

D480,711 S \* 10/2003 Kuan ..... D14/223

D487,078 S \* 2/2004 Chen ..... D14/223

6,760,458 B1 \* 7/2004 Bogeskov-Jensen et al. .... 381/  
370

D494,569 S \* 8/2004 Ma ..... D14/223

D494,570 S \* 8/2004 Ma ..... D14/223

D497,613 S \* 10/2004 Gwee ..... D14/223

D498,750 S \* 11/2004 Ma ..... D14/223

\* cited by examiner

*Primary Examiner*—Paula A. Greene

(74) *Attorney, Agent, or Firm*—Albihns Stockholm AB

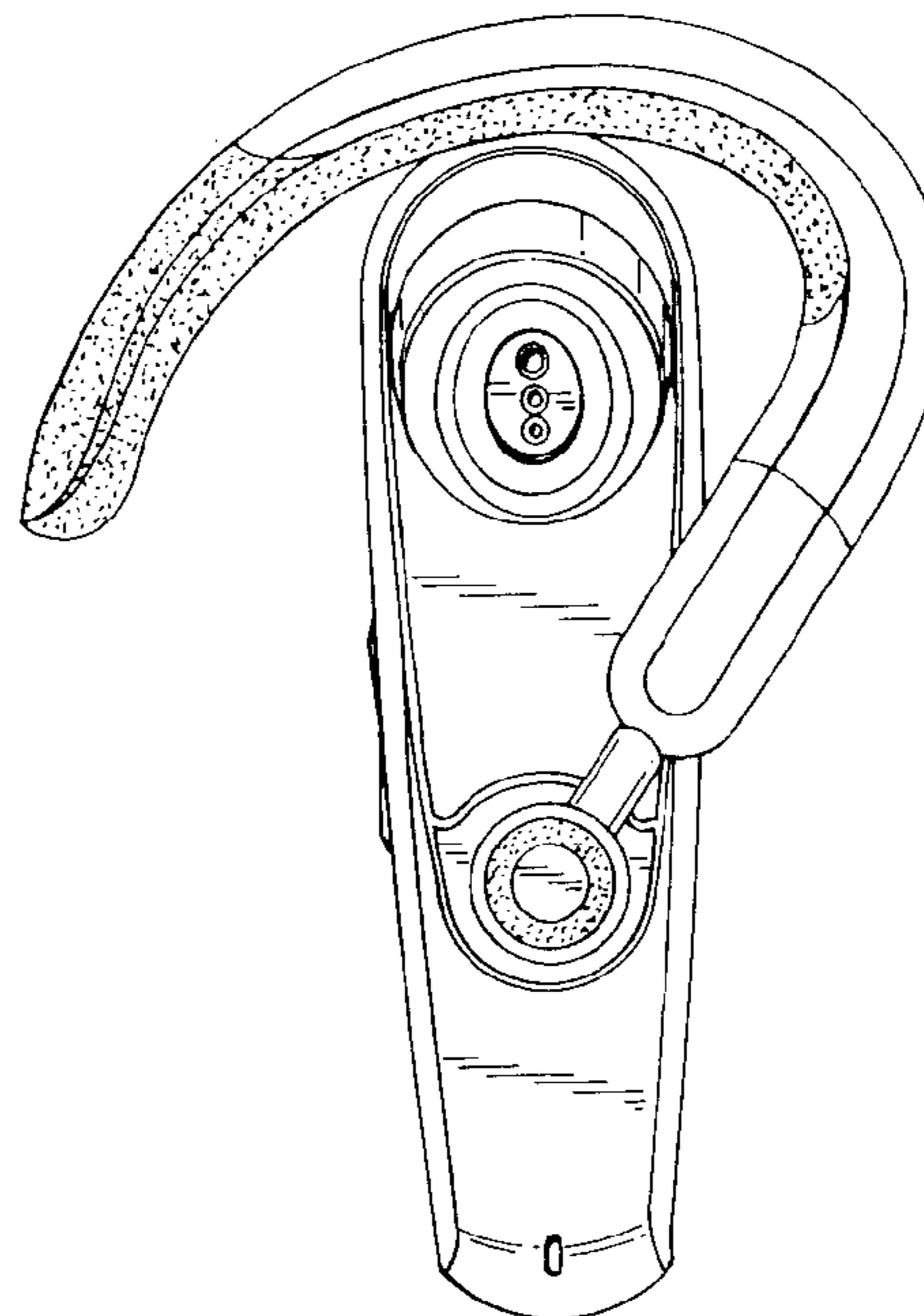
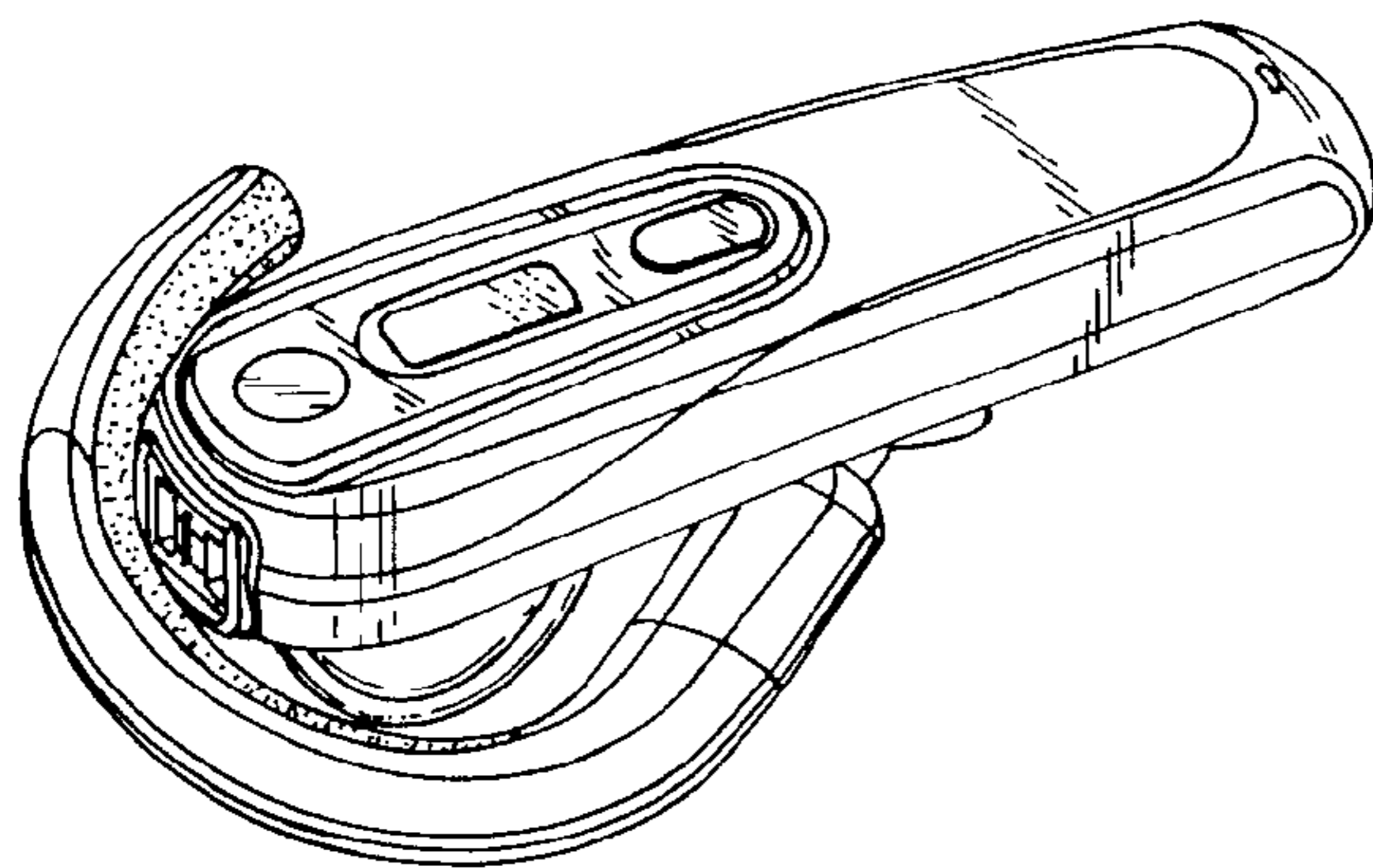
(57) **CLAIM**

The ornamental design for a headset, as shown and described.

**DESCRIPTION**

FIG. 1 is a perspective view from above of a headset according to my new design;  
FIG. 2 is a front view thereof;  
FIG. 3 is a right side view thereof;  
FIG. 4 is a left side view thereof;  
FIG. 5 is a rear view thereof;  
FIG. 6 is a top plan view thereof; and,  
FIG. 7 is a bottom plan view thereof.

**1 Claim, 2 Drawing Sheets**



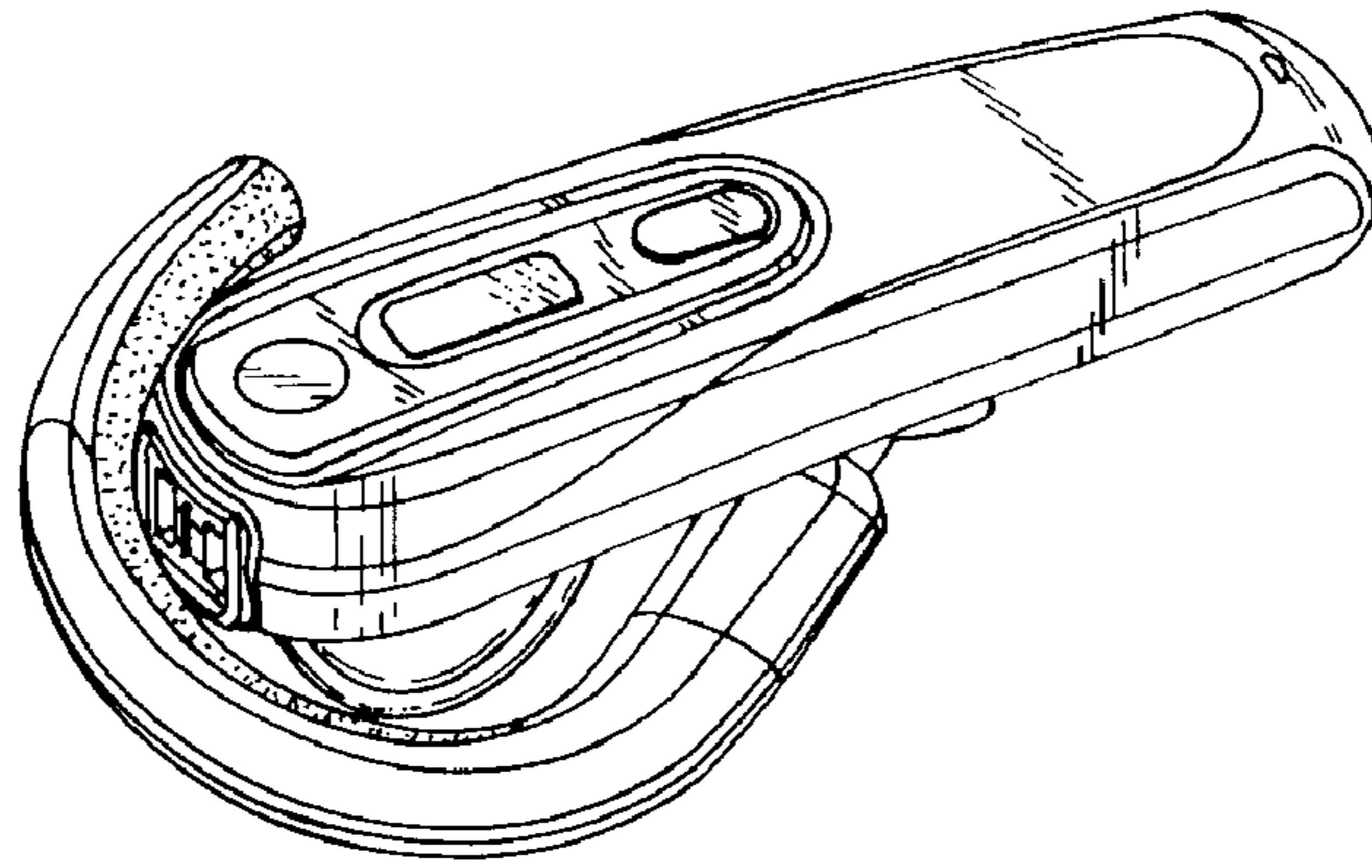


FIG. 1

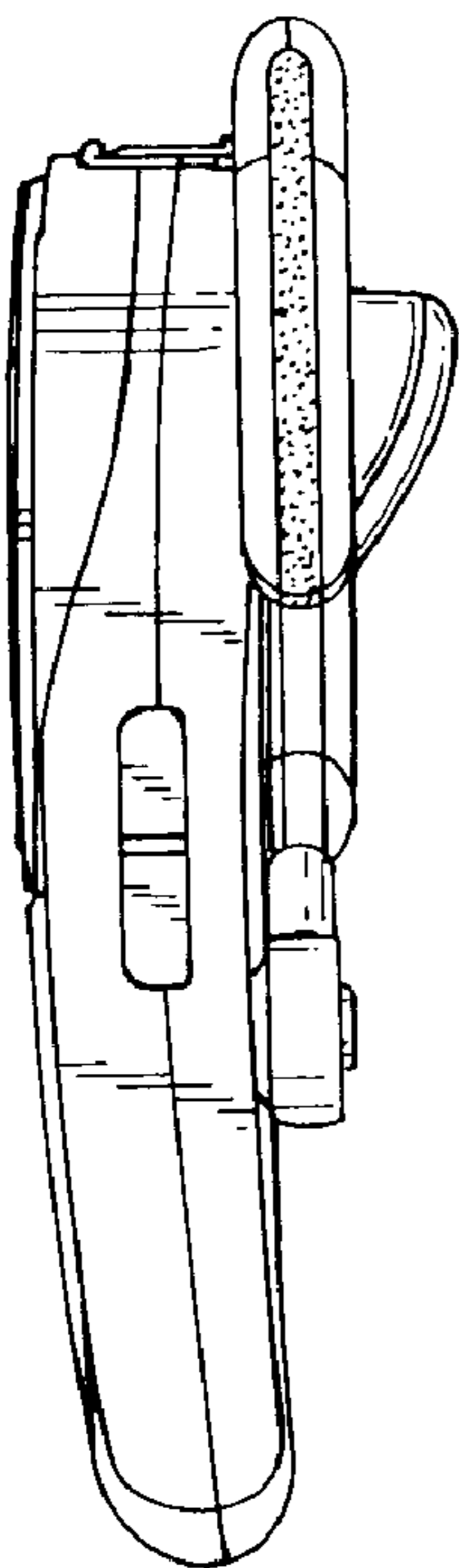


FIG. 3

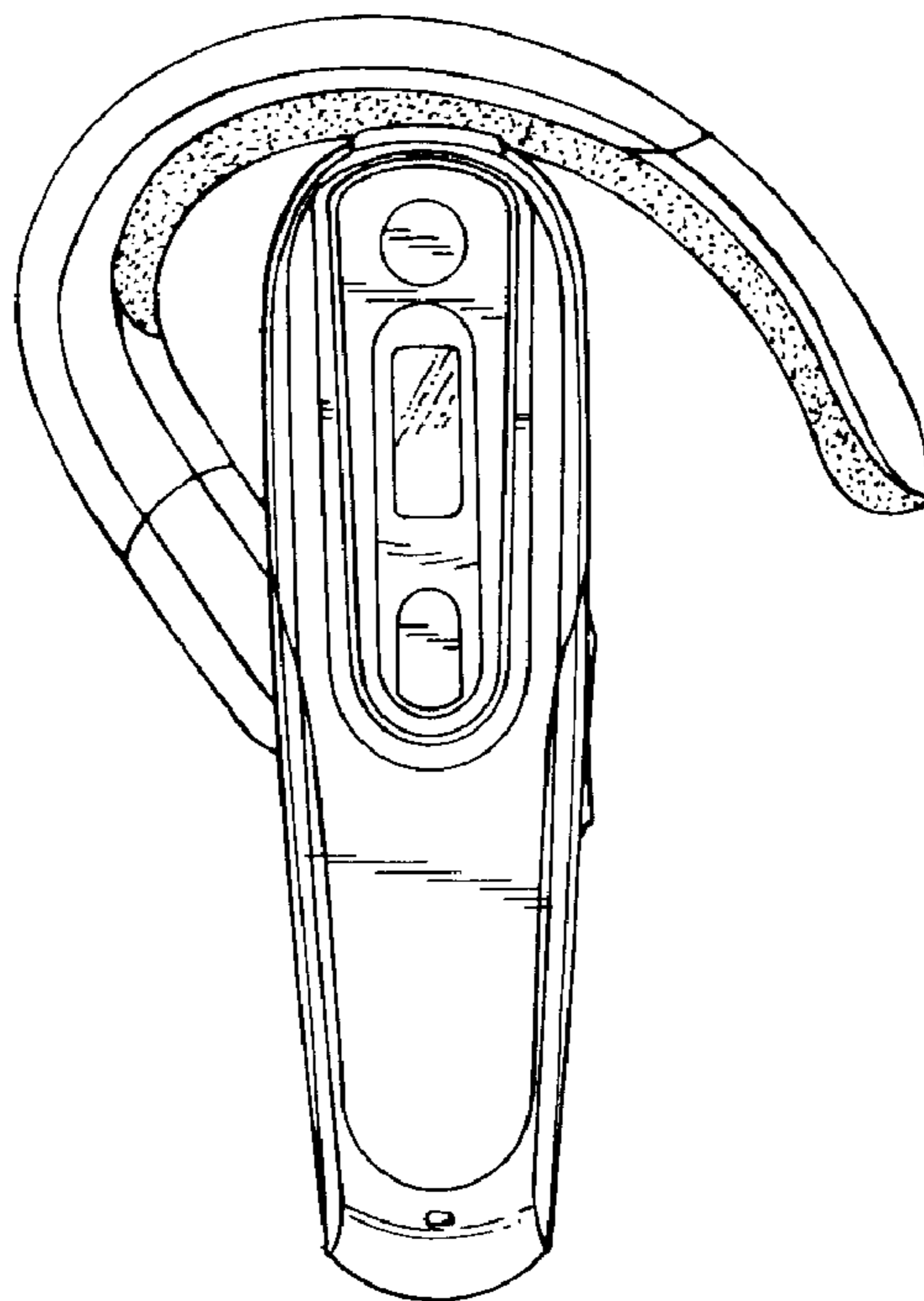


FIG. 2

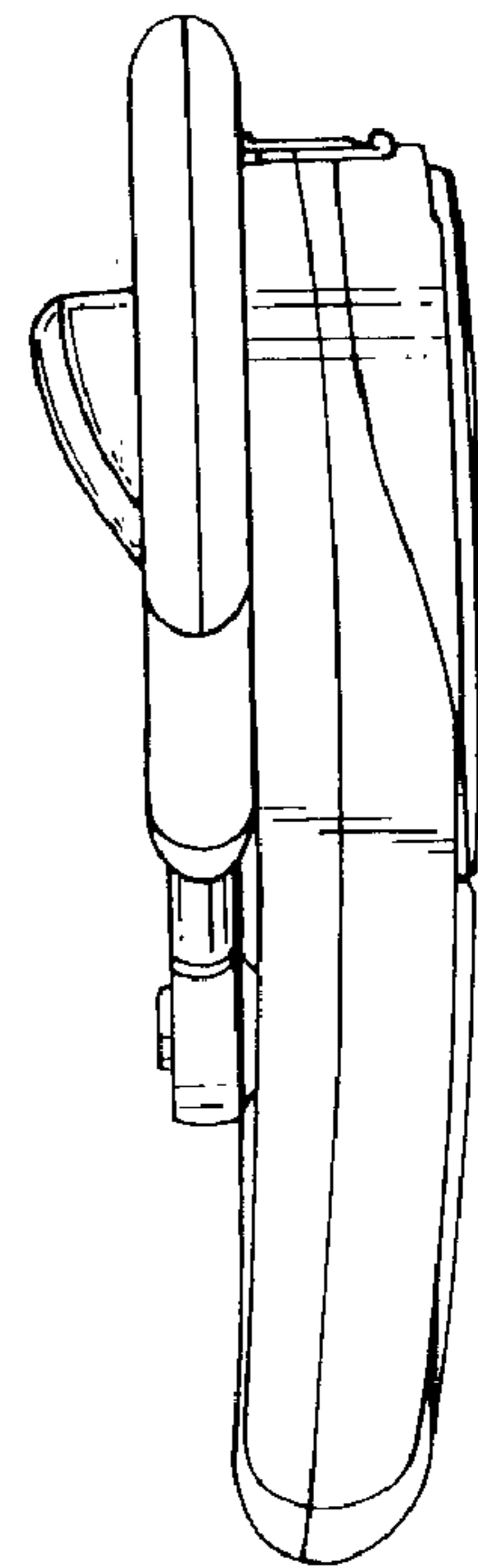


FIG. 4

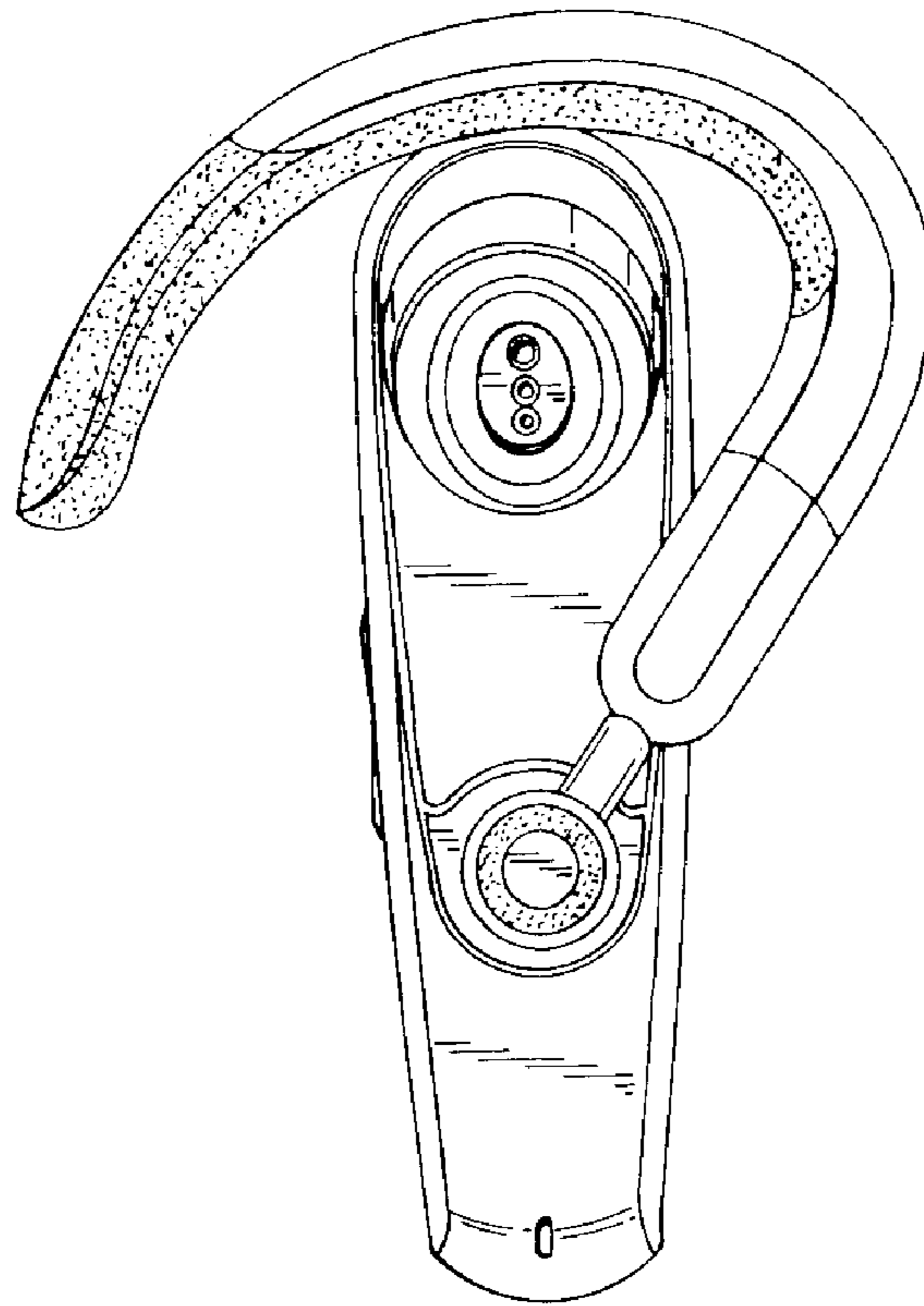


FIG. 5

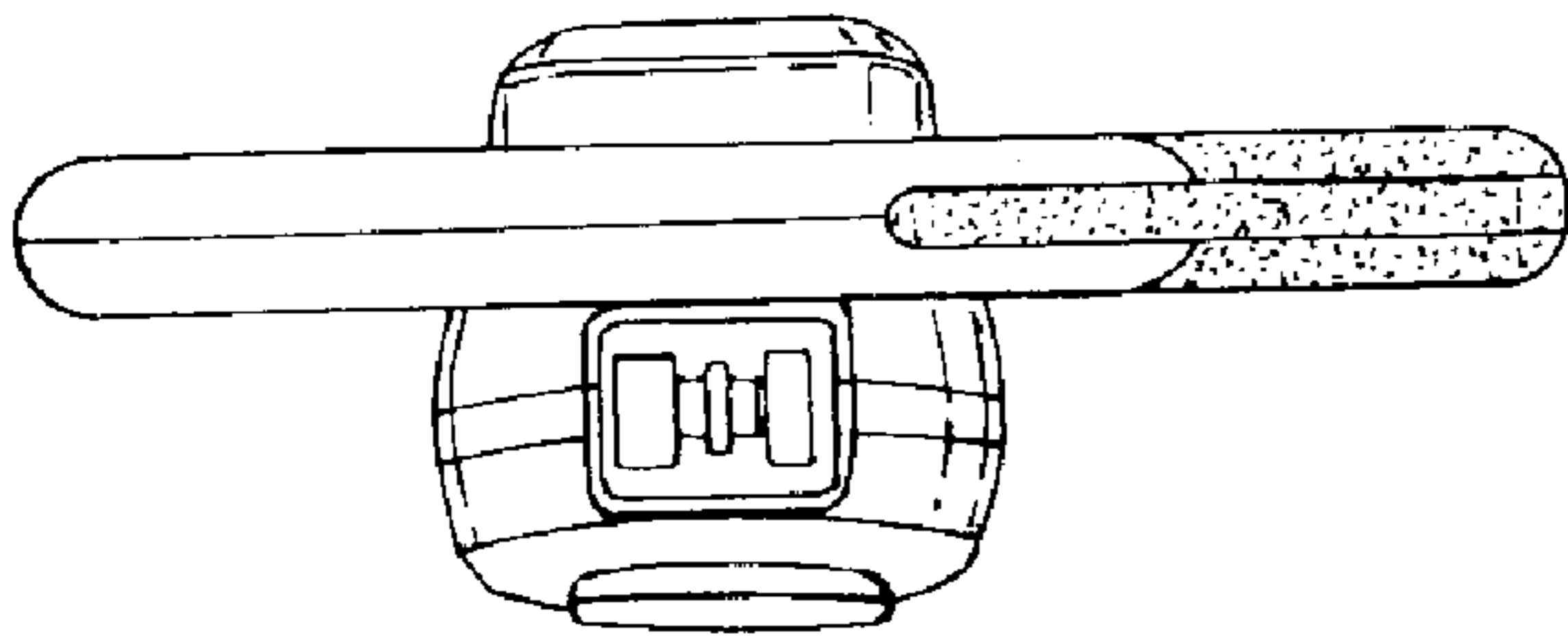


FIG. 6

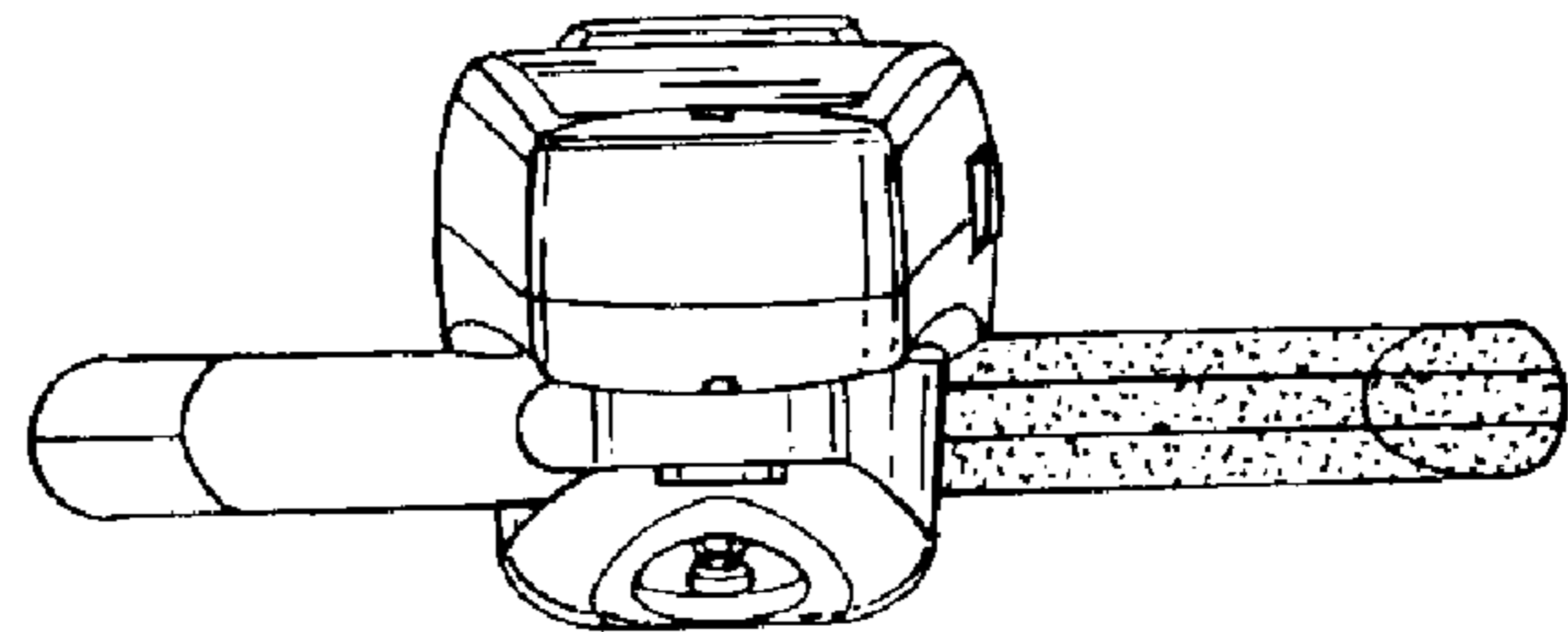


FIG. 7