



US00D512988S

(12) **United States Design Patent**
Green

(10) **Patent No.:** **US D512,988 S**

(45) **Date of Patent:** **** Dec. 20, 2005**

(54) **LOUDSPEAKER**

(75) **Inventor:** **Seth N. Green, Newton, MA (US)**

(73) **Assignee:** **Bose Corporation, Framingham, MA (US)**

(**) **Term:** **14 Years**

(21) **Appl. No.:** **29/194,011**

(22) **Filed:** **Nov. 18, 2003**

(51) **LOC (6) Cl. 14-01**

(52) **U.S. Cl. D14/214**

(58) **Field of Search** D14/204, 207,
D14/209-216, 356; 181/143-144, 147-148,
150, 157, 198-199, 151, 153; 381/300-302,
306, 333, 345, 361-364, 386-388

(56) **References Cited**

U.S. PATENT DOCUMENTS

D397,116 S * 8/1998 Tatsumi D14/214

D442,942 S * 5/2001 Tsuge D14/214

D461,792 S * 8/2002 Silverstein et al. D14/214

D462,065 S * 8/2002 Silverstein et al. D14/214

D471,894 S * 3/2003 Oikawa D14/214

* cited by examiner

Primary Examiner—Nanda Bondade

(74) *Attorney, Agent, or Firm*—Fish & Richardson P.C.

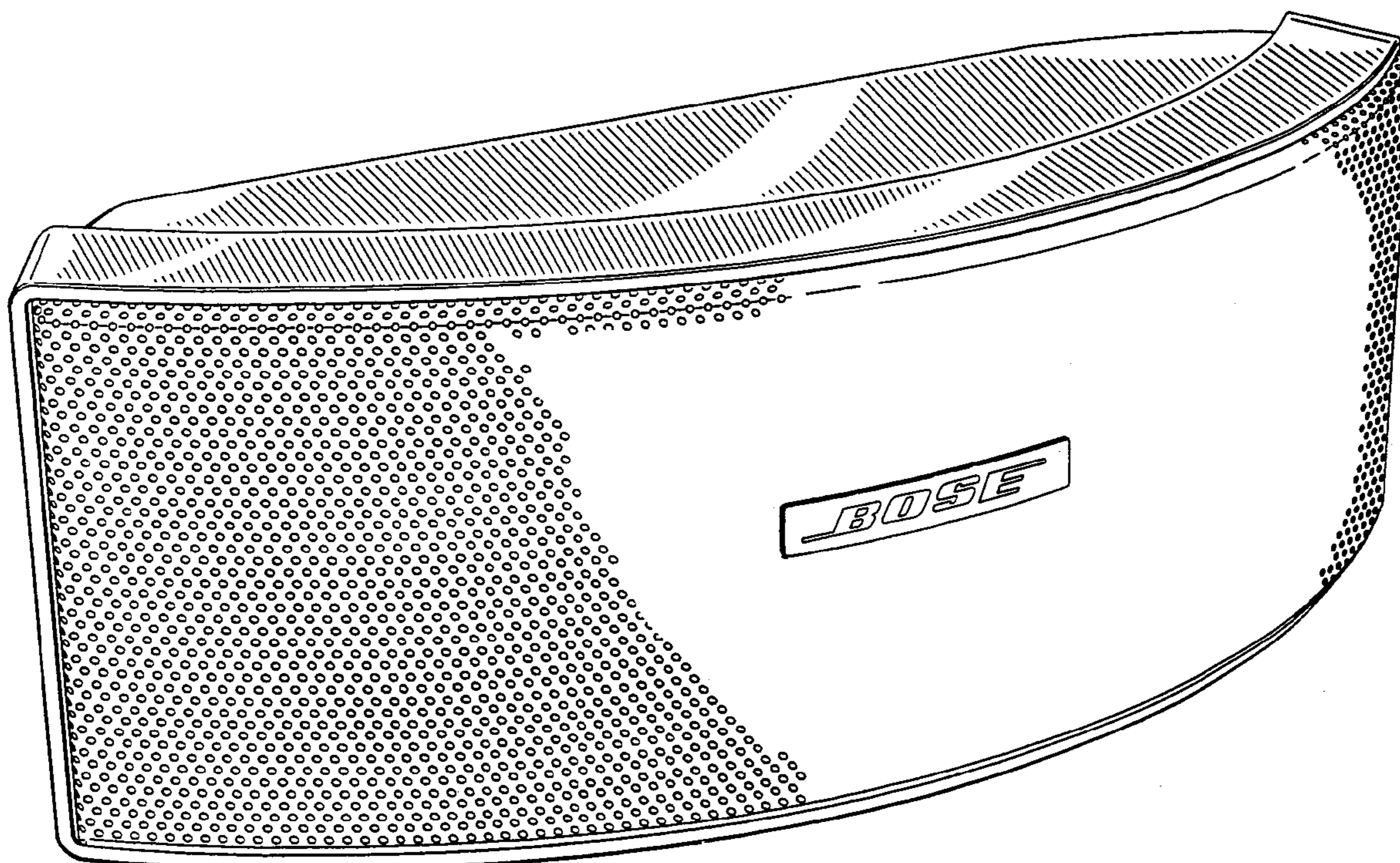
(57) **CLAIM**

The ornamental design for a loudspeaker, substantially as shown and described.

DESCRIPTION

FIG. 1 is a front perspective view of the loudspeaker;
FIG. 2 is a front view thereof;
FIG. 3 is a rear view thereof;
FIG. 4 is a left side view thereof;
FIG. 5 is a right side view thereof;
FIG. 6 is a top view thereof;
FIG. 7 is a bottom view thereof; and,
FIG. 8 is a rear perspective view thereof.

1 Claim, 7 Drawing Sheets



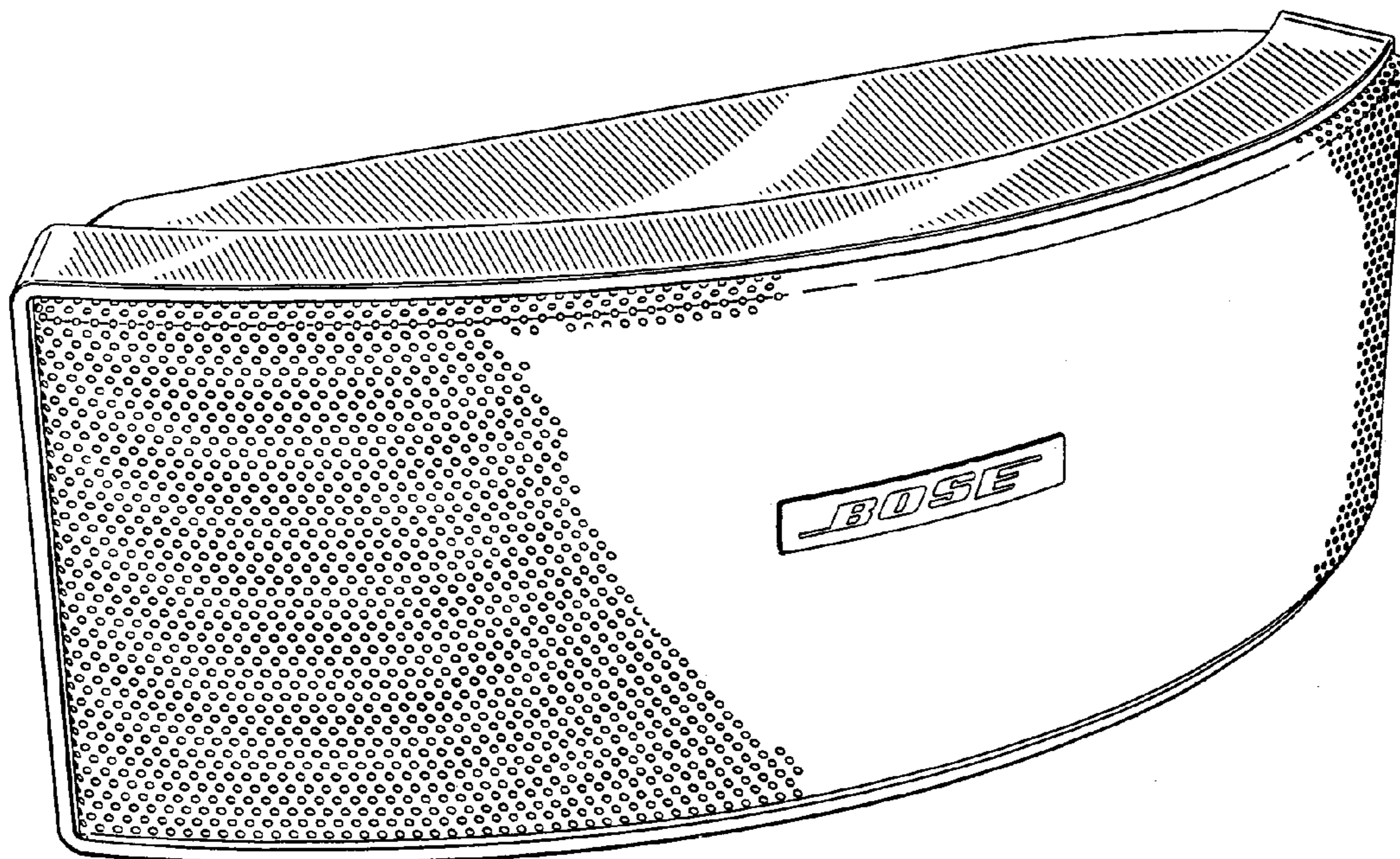


FIG. 1

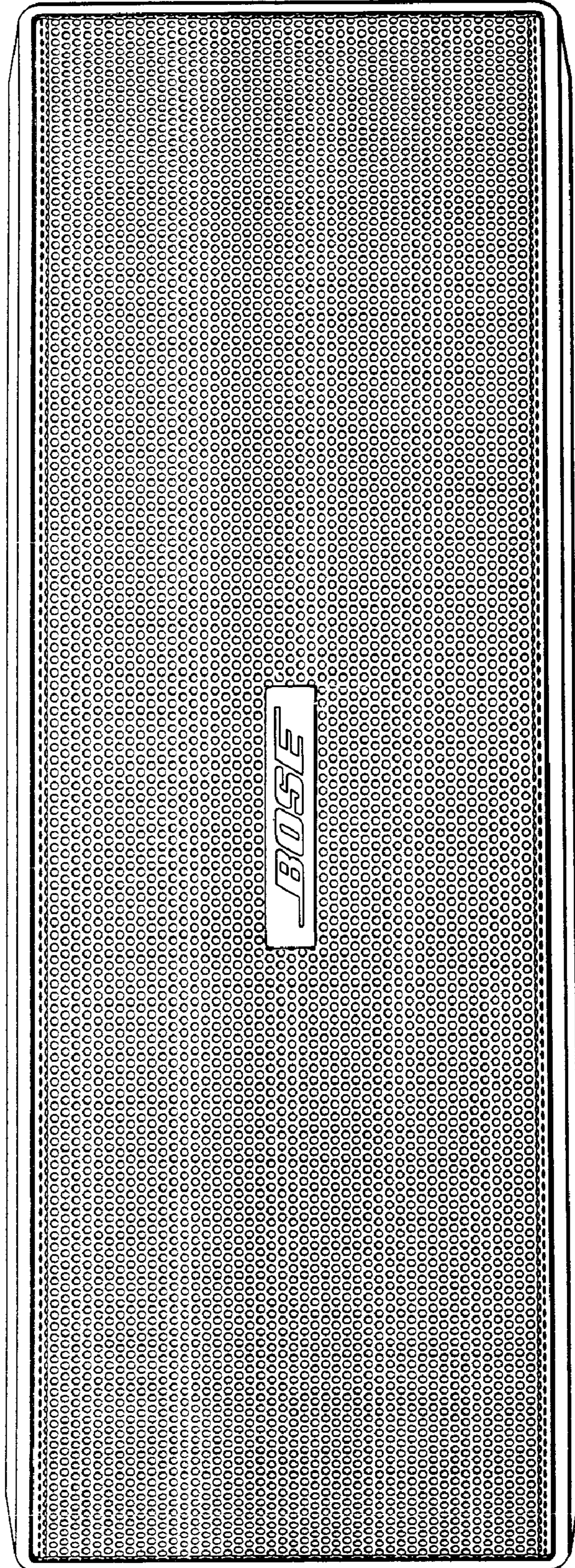


FIG. 2

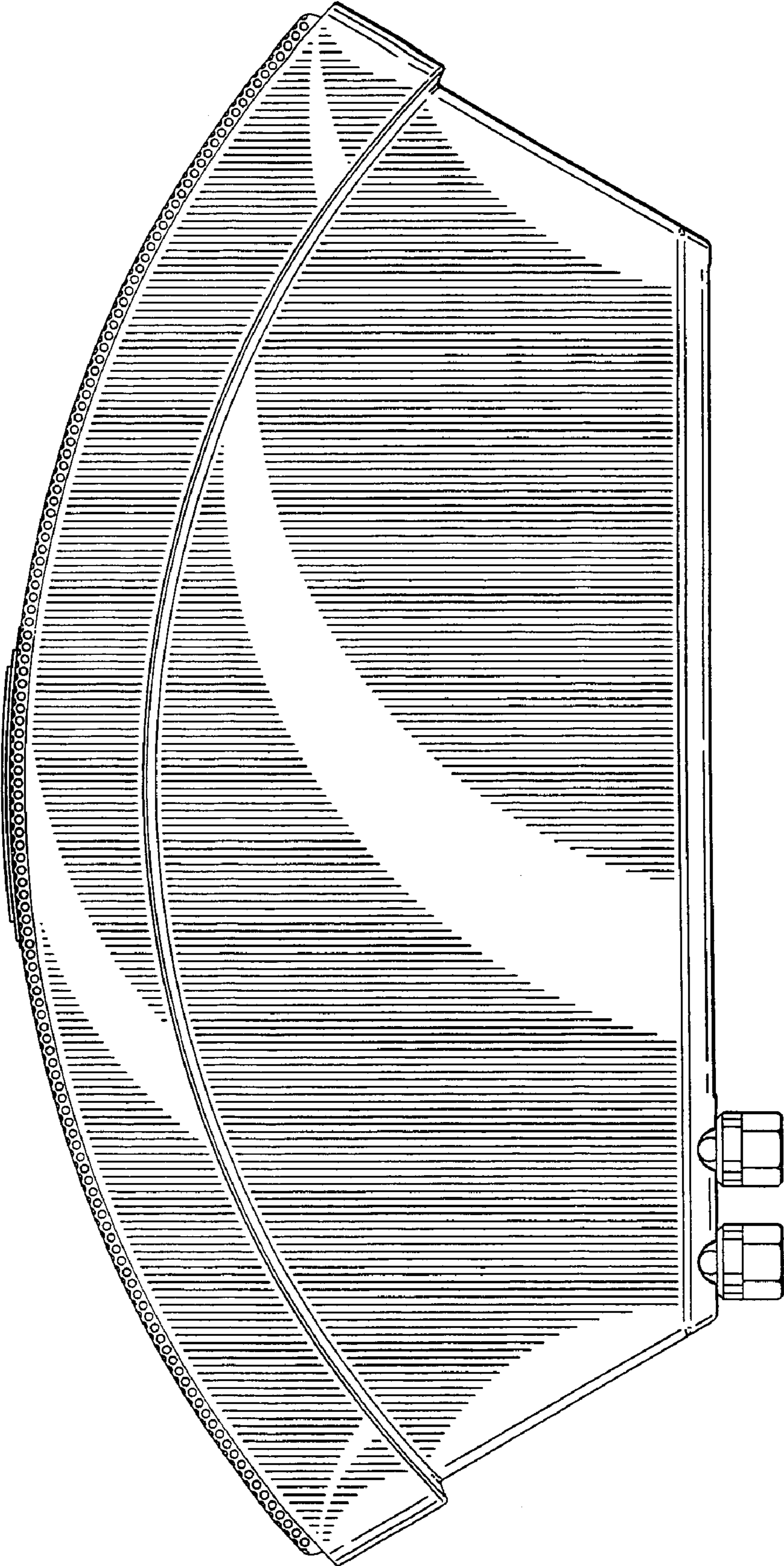


FIG. 3

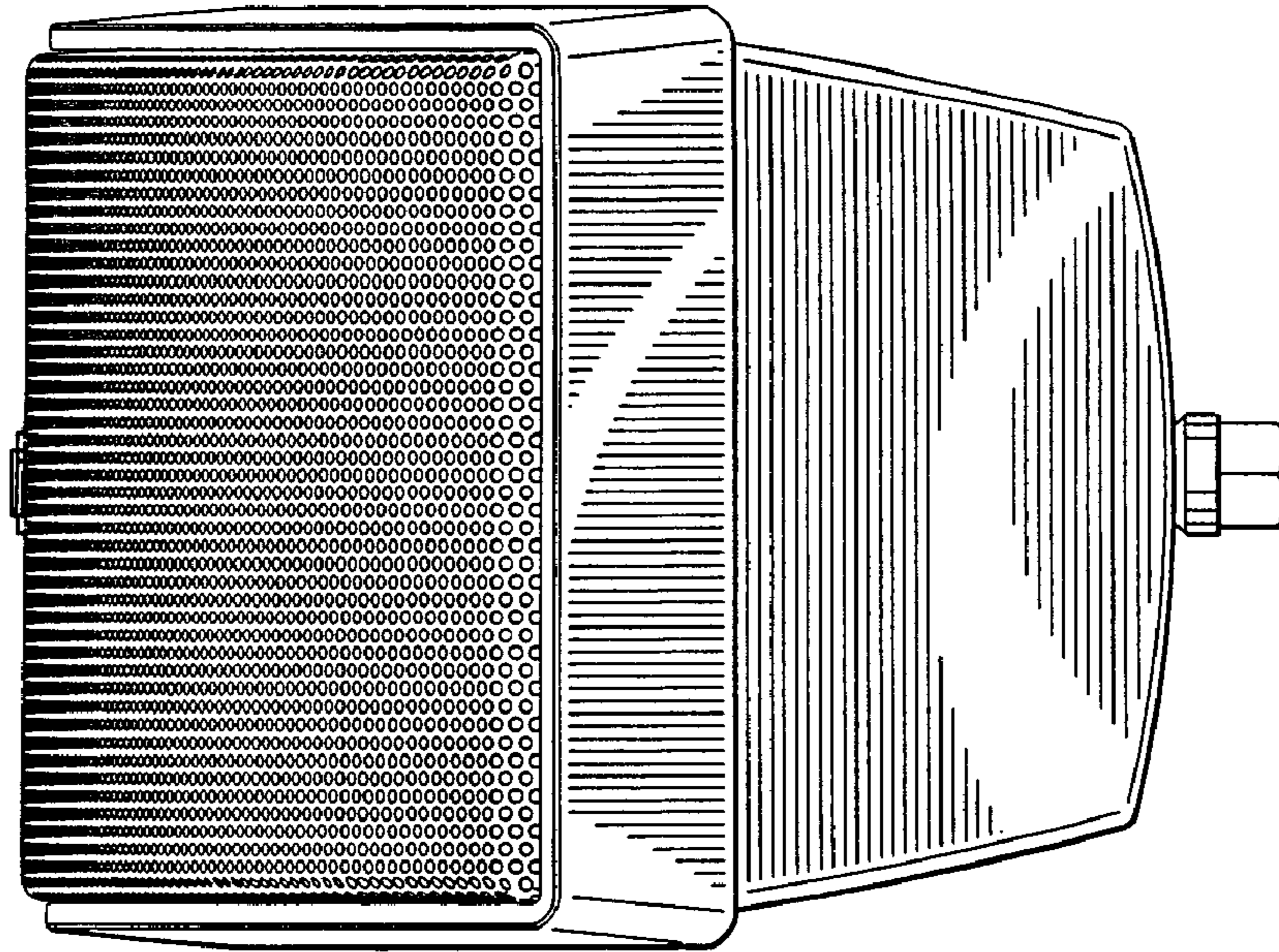


FIG. 4

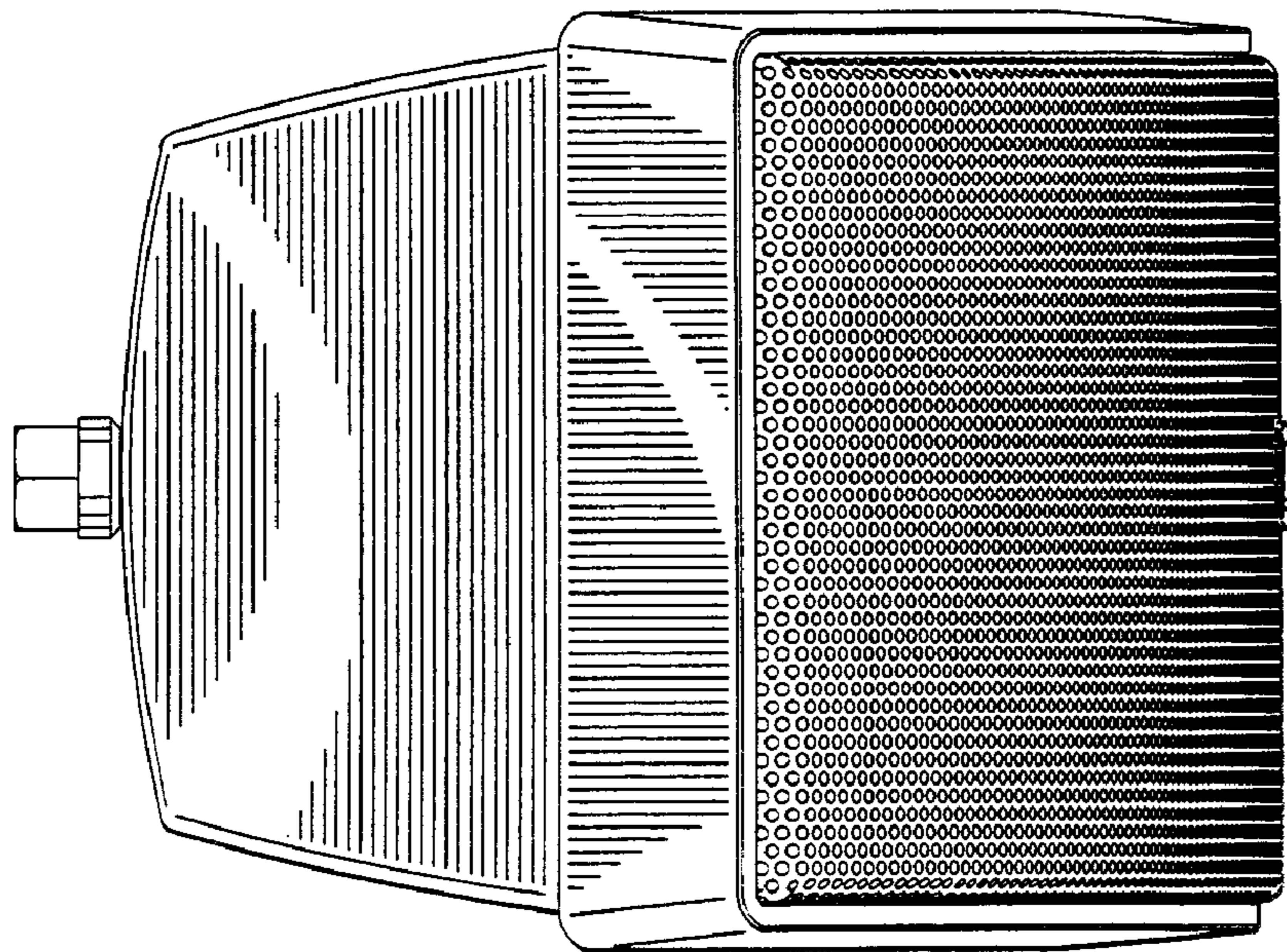


FIG. 5

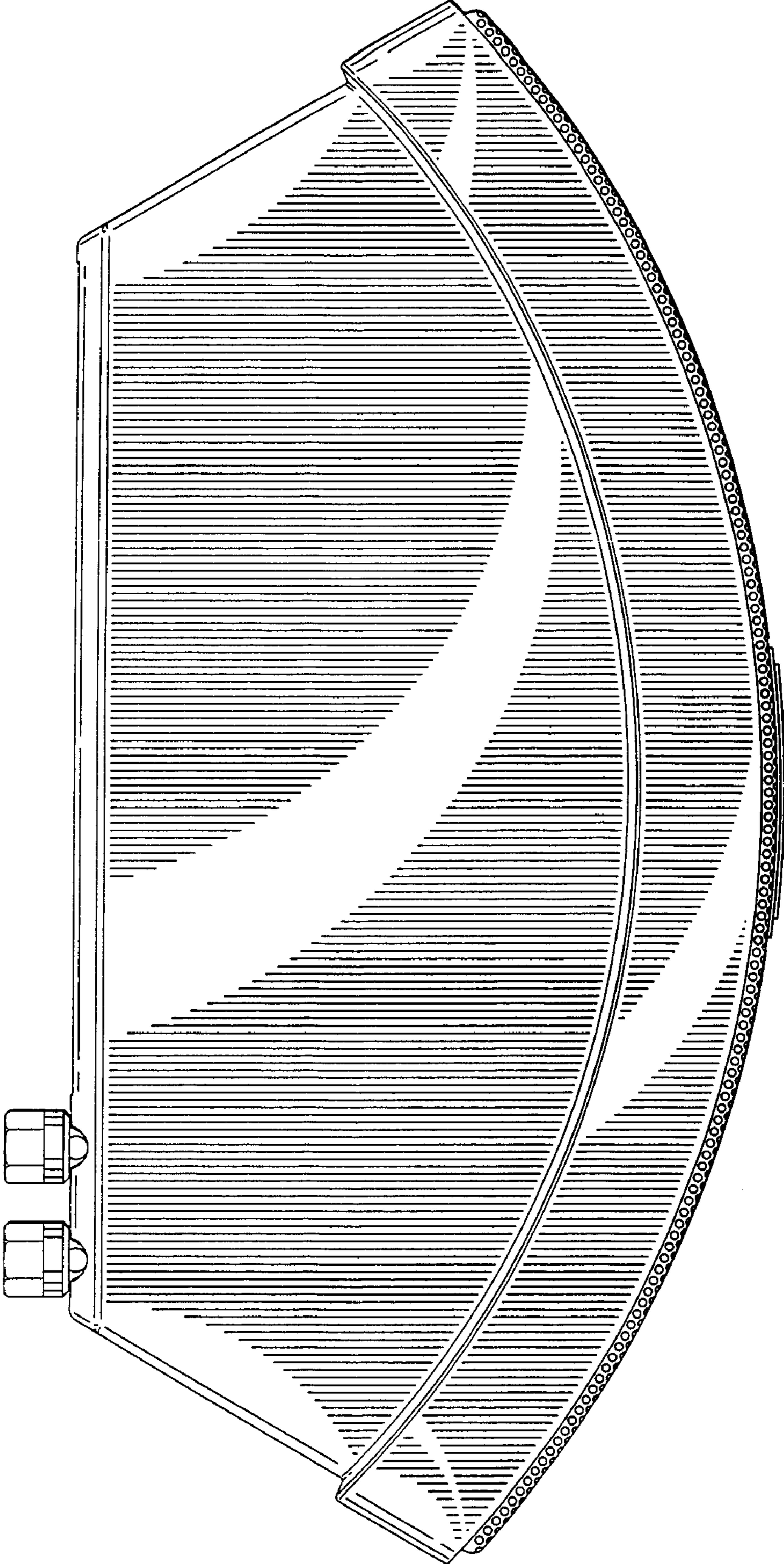


FIG. 6

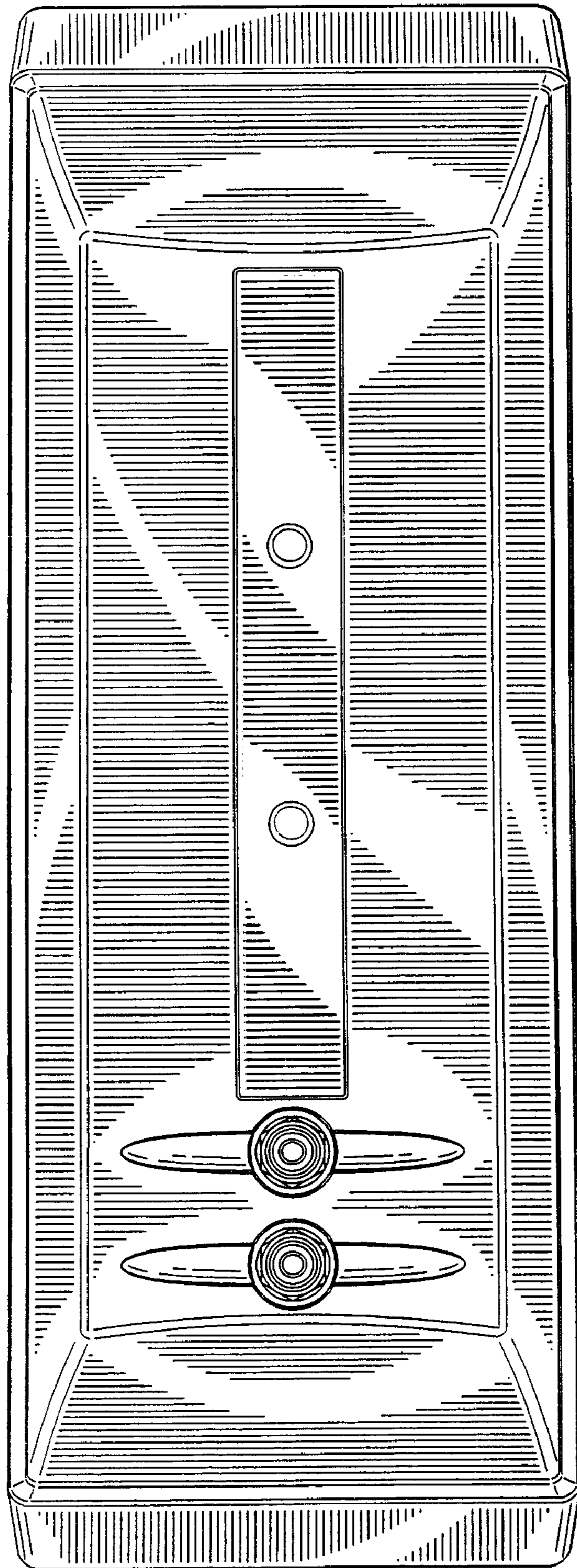


FIG. 7

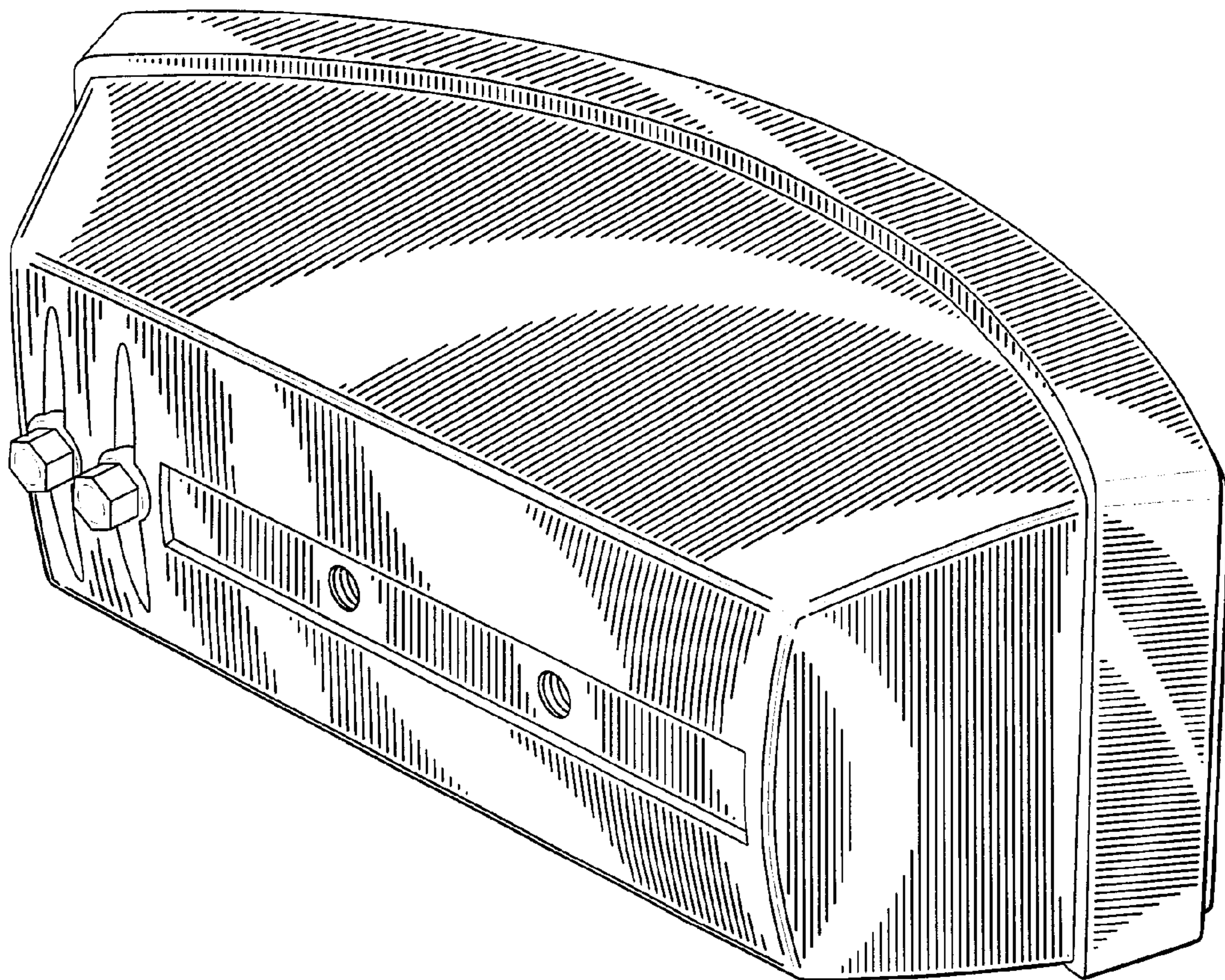


FIG. 8