



US00D512985S

(12) **United States Design Patent**
Travers et al.

(10) **Patent No.:** **US D512,985 S**
(45) **Date of Patent:** **** Dec. 20, 2005**

(54) **PORTABLE VIRTUAL DISPLAY**
(75) Inventors: **Paul J. Travers**, Honeoye Falls, NY (US); **Paul J. Churnetski**, West Henrietta, NY (US); **Stephen J. Glaser**, Pittsford, NY (US); **David Vogler**, Rochester, NY (US); **James Gresko**, Rochester, NY (US)

(73) Assignee: **Icuiti Corporation**, Rochester, NY (US)

(**) Term: **14 Years**

(21) Appl. No.: **29/196,887**

(22) Filed: **Jan. 7, 2004**

(51) **LOC (6) Cl.** **14-01**

(52) **U.S. Cl.** **D14/206**

(58) **Field of Search** D14/188, 192, D14/205, 372, 206, 223, 224; 181/129, 130; 379/430; 381/381; D16/100, 130; D29/103, 112; 2/470; 345/8

(56) **References Cited**

U.S. PATENT DOCUMENTS

D300,476 S * 3/1989 Sestak D16/309
5,003,300 A * 3/1991 Wells 345/8
D352,046 S * 11/1994 Kataoka D16/309

5,469,505 A * 11/1995 Gattey et al. 379/430
D394,437 S * 5/1998 Landreth et al. D14/206
5,751,260 A * 5/1998 Nappi et al. 345/8
D402,651 S * 12/1998 Depay et al. D14/372
D436,960 S * 1/2001 Budd et al. D14/372
D448,015 S * 9/2001 Lapalme D14/206
D465,208 S * 11/2002 Lee et al. D14/206
D482,019 S * 11/2003 Petersen et al. D14/206
D488,146 S * 4/2004 Minto D14/206

* cited by examiner

Primary Examiner—Paula A. Greene

(74) *Attorney, Agent, or Firm*—Stephen B. Salai, Esq.; Brian B. Shaw, Esq.; Harter, Secrest & Emery LLP

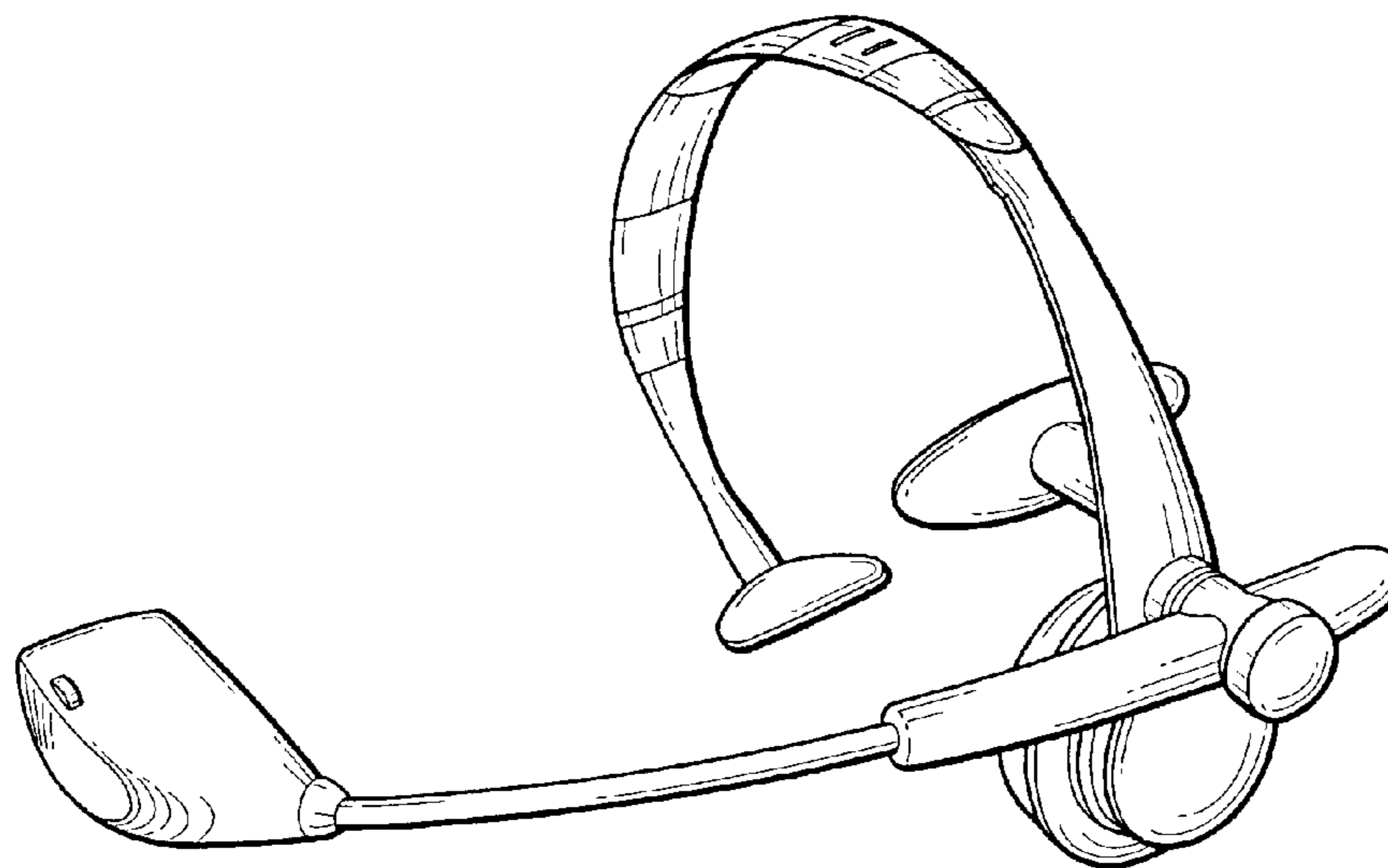
(57) **CLAIM**

The ornamental design for the portable virtual display, as shown.

DESCRIPTION

FIG. 1 is a front perspective view of a portable virtual display showing our new design;
FIG. 2 is a front view of the portable virtual display shown in FIG. 1;
FIG. 3 is a side view of the portable virtual display shown in FIG. 1; and,
FIG. 4 is a top view of the portable virtual display shown in FIG. 1.

1 Claim, 2 Drawing Sheets



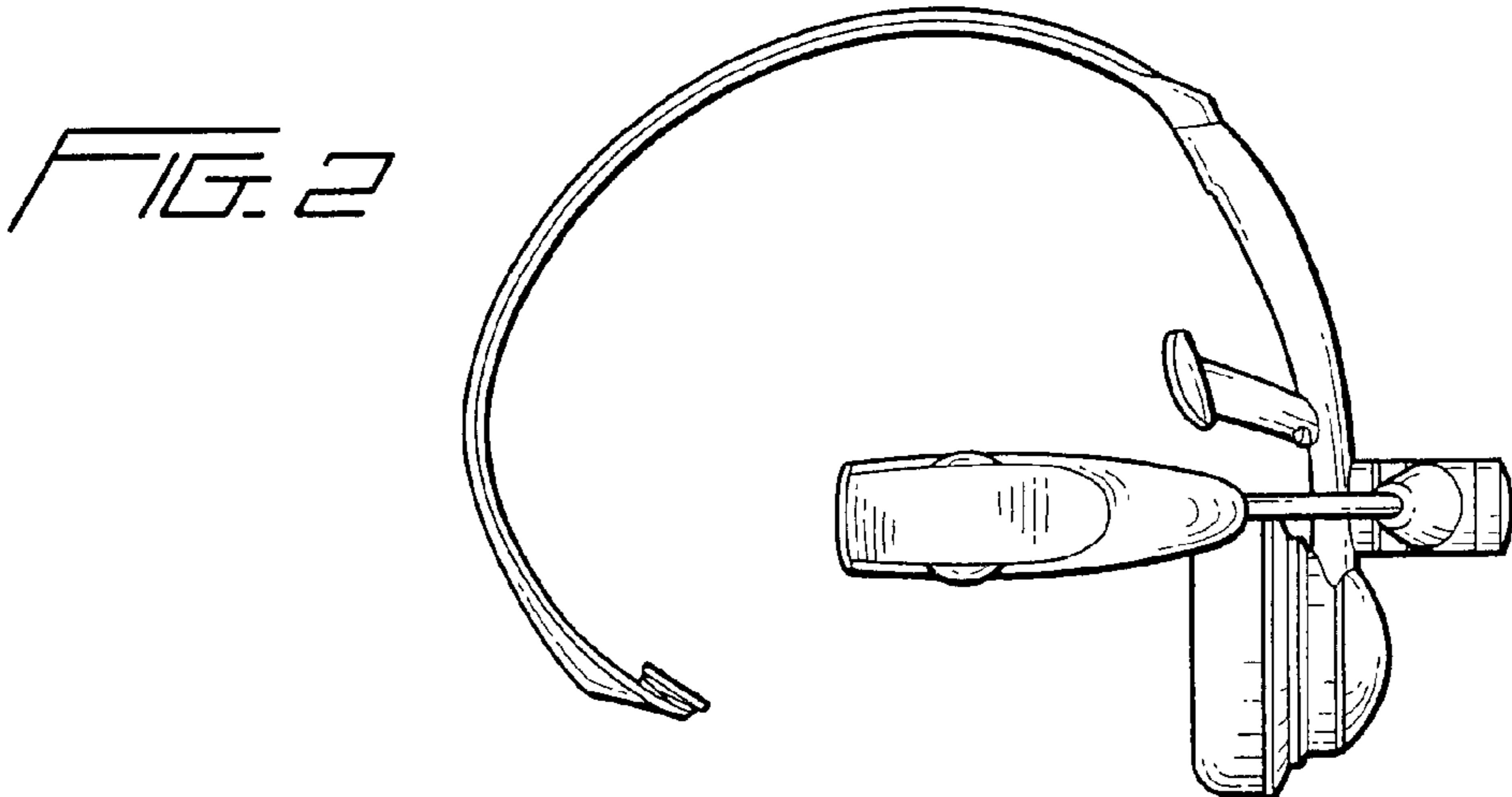
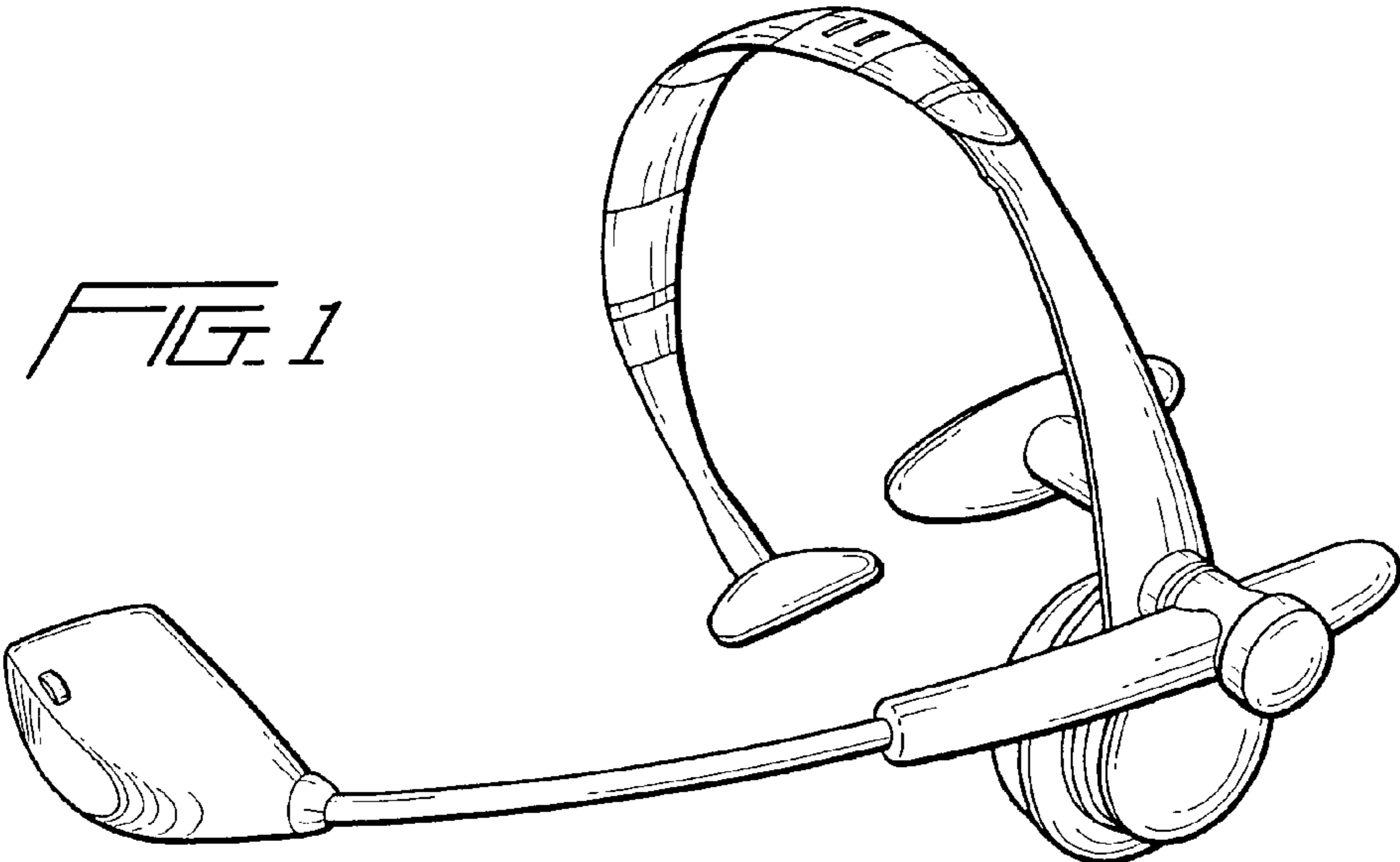


FIG. 3

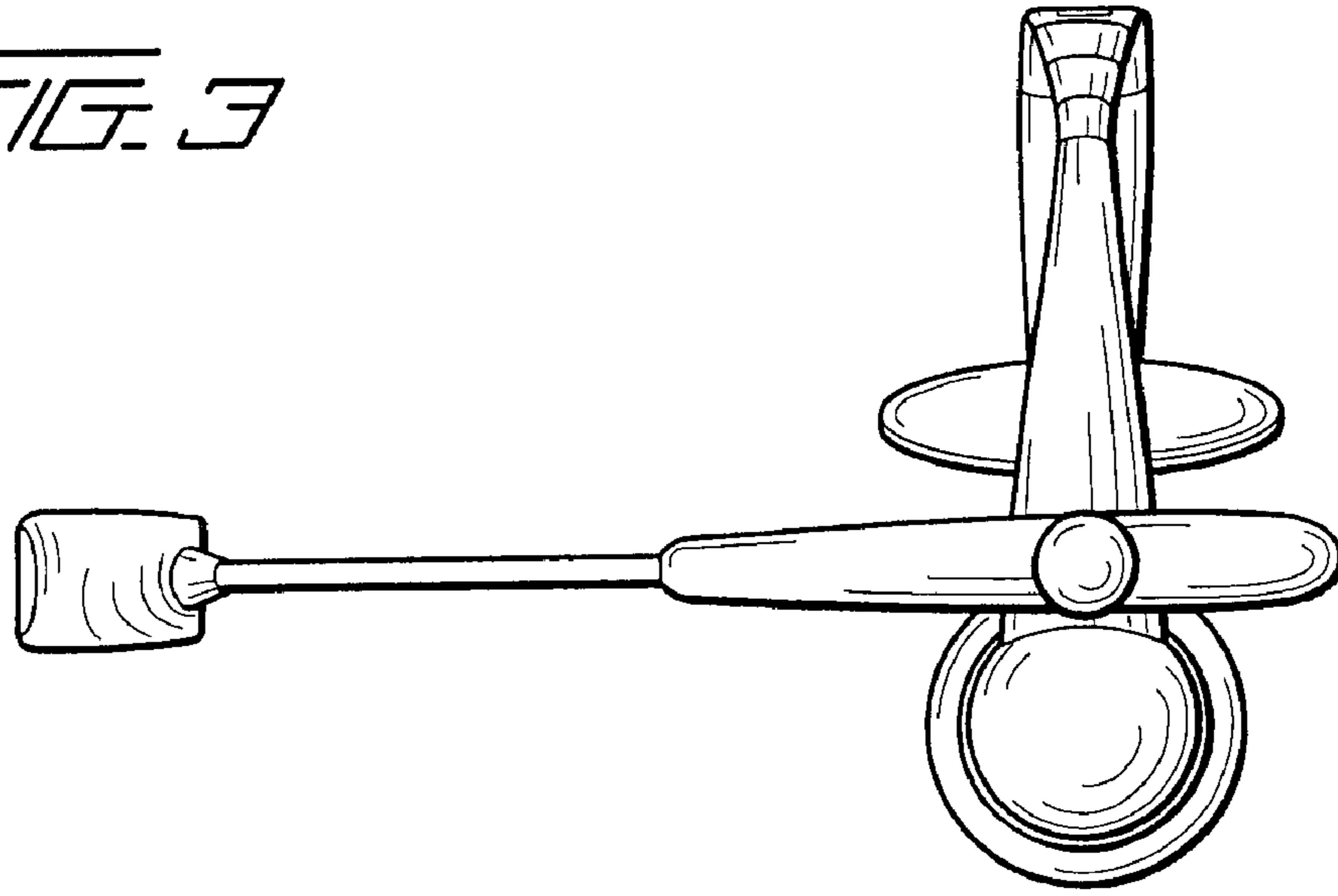


FIG. 4

